



US00D330855S

United States Patent [19]

[11] Patent Number: **Des. 330,855**

Demopoulos, et al

[45] Date of Patent: **** Nov. 10, 1992**

[54] **PACKAGE FOR MEDICINE**

3,890,204	6/1975	Avery	206/461 X
4,133,429	1/1979	Kuchenbecker	206/468 X
4,549,654	10/1985	Tiesman	206/462 X

[75] Inventor: **Harry B. Demopoulos, Scarsdale;
Joel Ross, Ardsley, both of N.Y.**

Primary Examiner—Melvin B. Feifer
Assistant Examiner—Prabhakar Deshmukh
Attorney, Agent, or Firm—Lerner, David, Littenberg,
Krumholz & Mentlik

[73] Assignee: **Health Maintenance Programs, Inc.,
Elmsford, N.Y.**

[**] Term: **14 Years**

[57] **CLAIM**

[21] Appl. No.: **500,671**

The ornamental design for a package for medicine, as shown and described.

[22] Filed: **Mar. 28, 1990**

[52] U.S. Cl. **D9/415; D9/341**

[58] Field of Search **D9/415, 418, 341, 345,
D9/346, 347; 206/461-471, 806, 824, 538, 528,
539**

DESCRIPTION

[56] **References Cited**

U.S. PATENT DOCUMENTS

D. 250,092	10/1978	Schoenfield et al.	D9/415 X
D. 261,616	11/1981	Tesar et al.	D9/415
D. 295,833	5/1988	Roth	D9/415 X
2,796,985	6/1957	Gorton	206/462 X
2,853,187	9/1958	Shapero	206/466
3,157,280	11/1964	Perdue et al.	D9/415 X

FIG. 1 is a perspective view of a package for medicine showing our new design;
FIG. 2 is a top plan view thereof;
FIG. 3 is a bottom plan view thereof;
FIG. 4 is a left side elevation thereof;
FIG. 5 is a right side elevation thereof;
FIG. 6 is a front elevation thereof;
FIG. 7 is a rear elevation thereof; and,
FIG. 8 is a perspective view thereof; shown in plurality with one package in broken lines for illustrative purposes only.

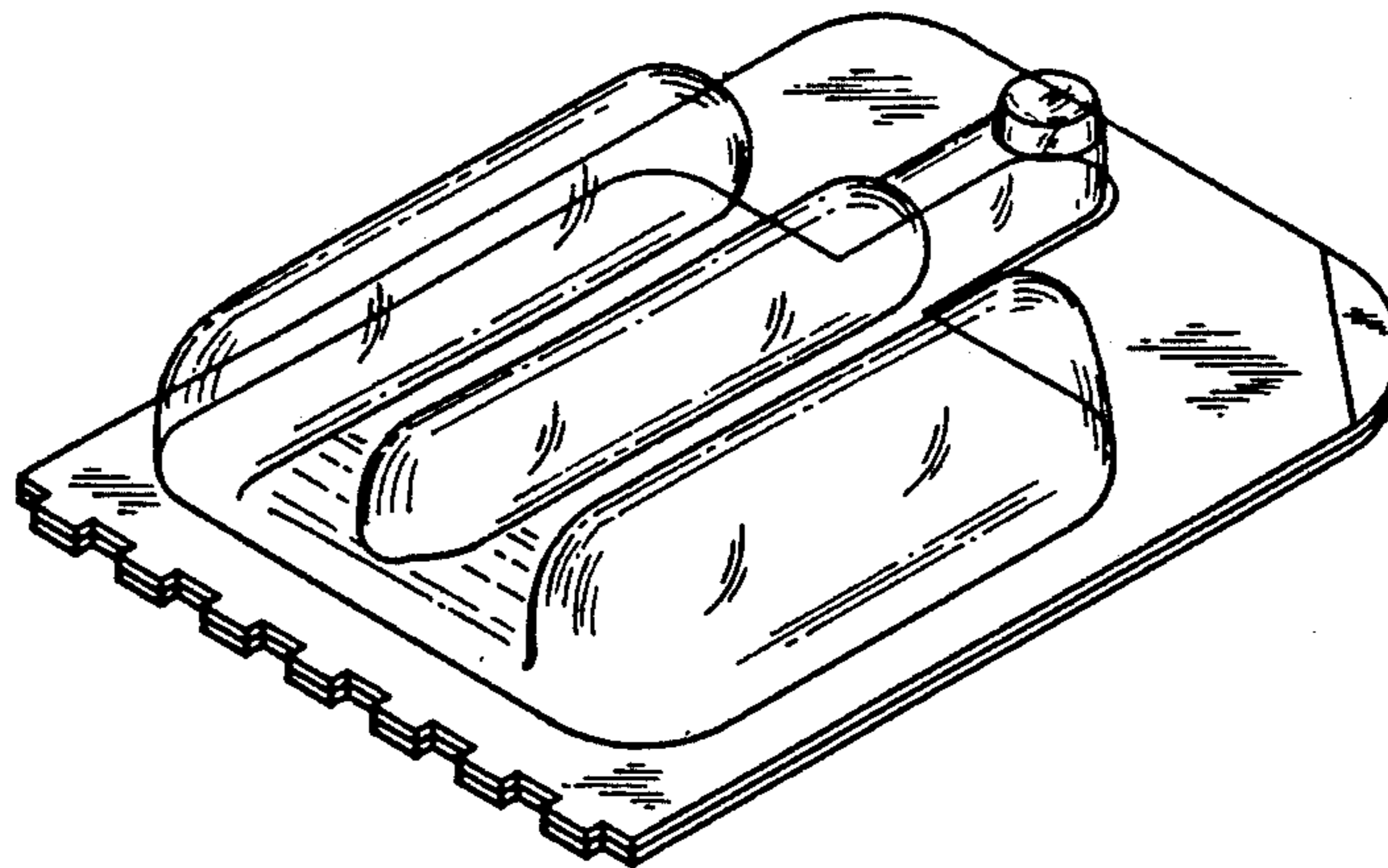


FIG. 1

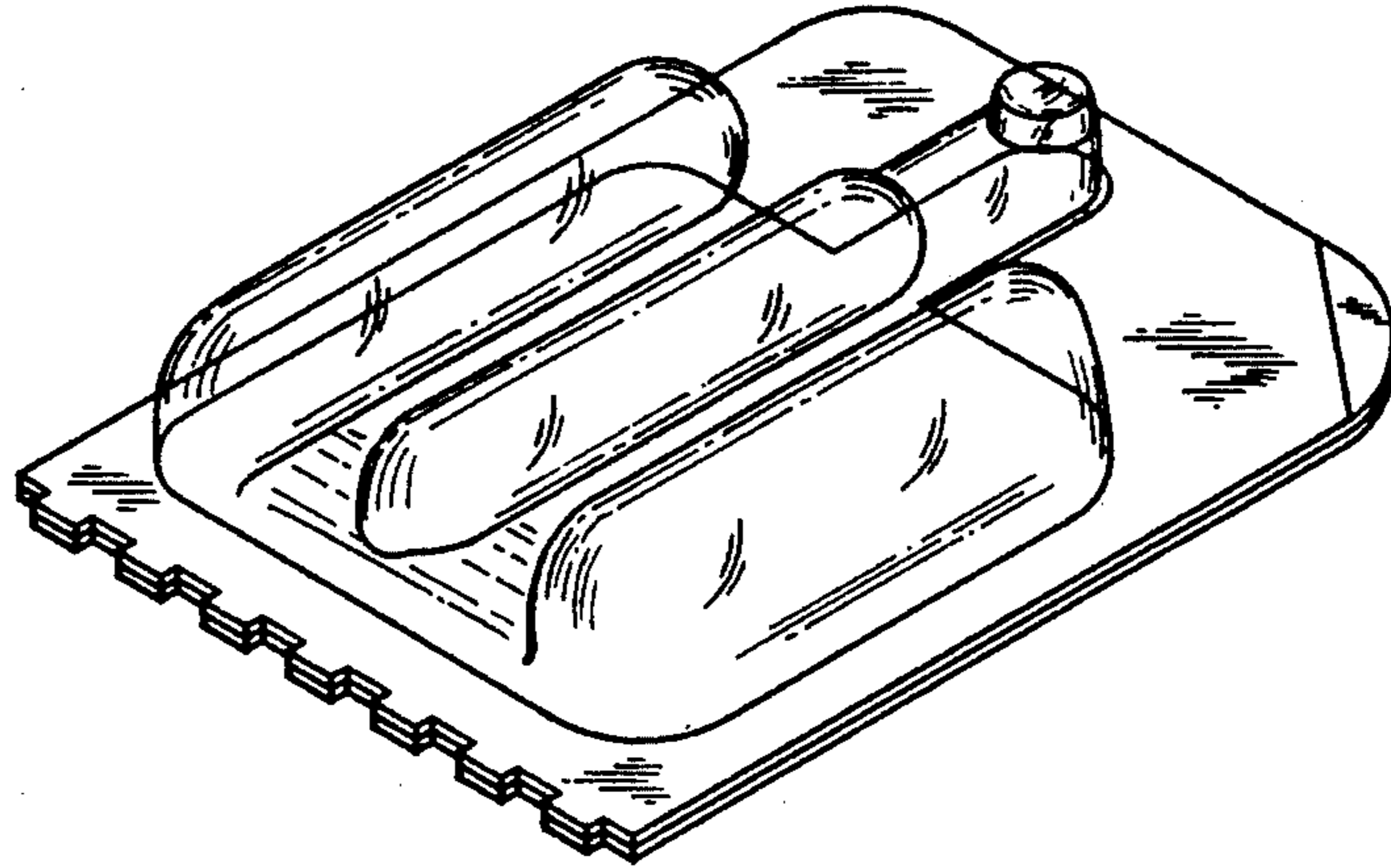


FIG. 2

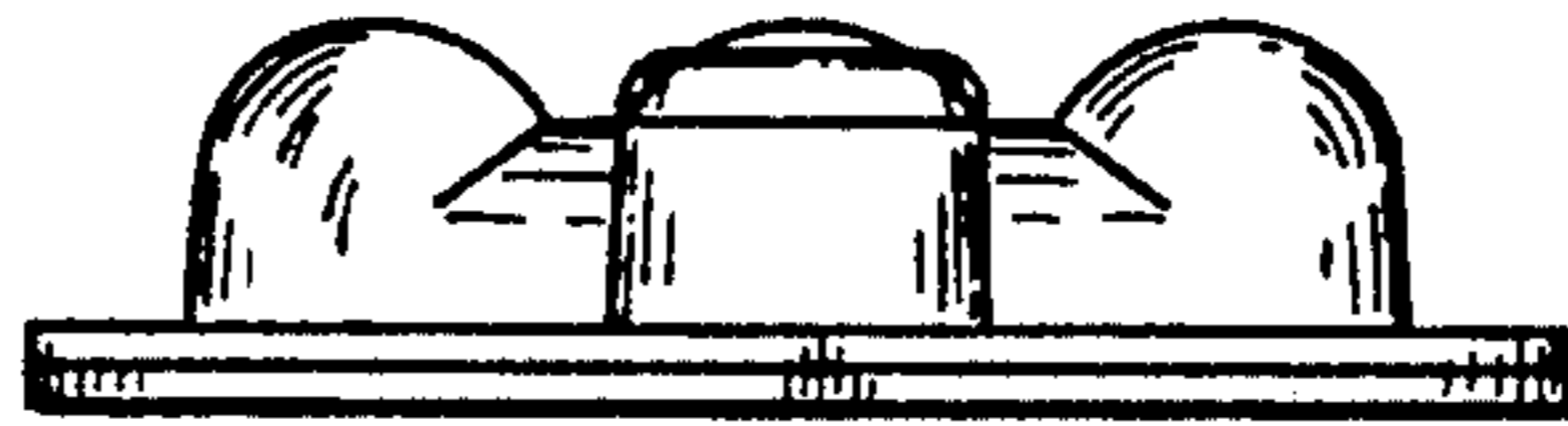


FIG. 3

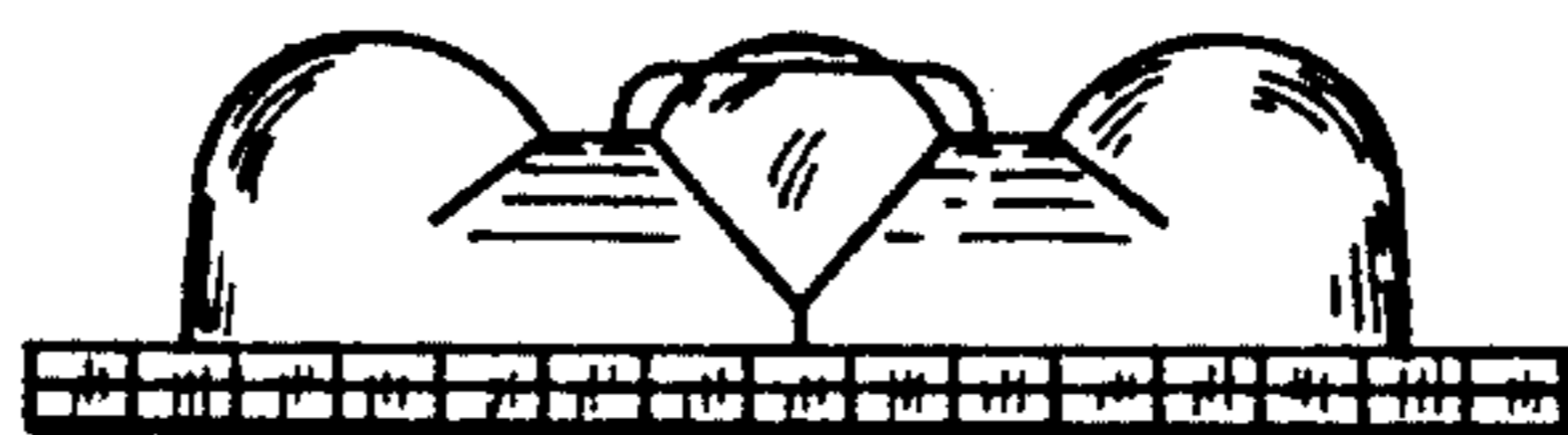


FIG. 4



FIG. 5



FIG. 6

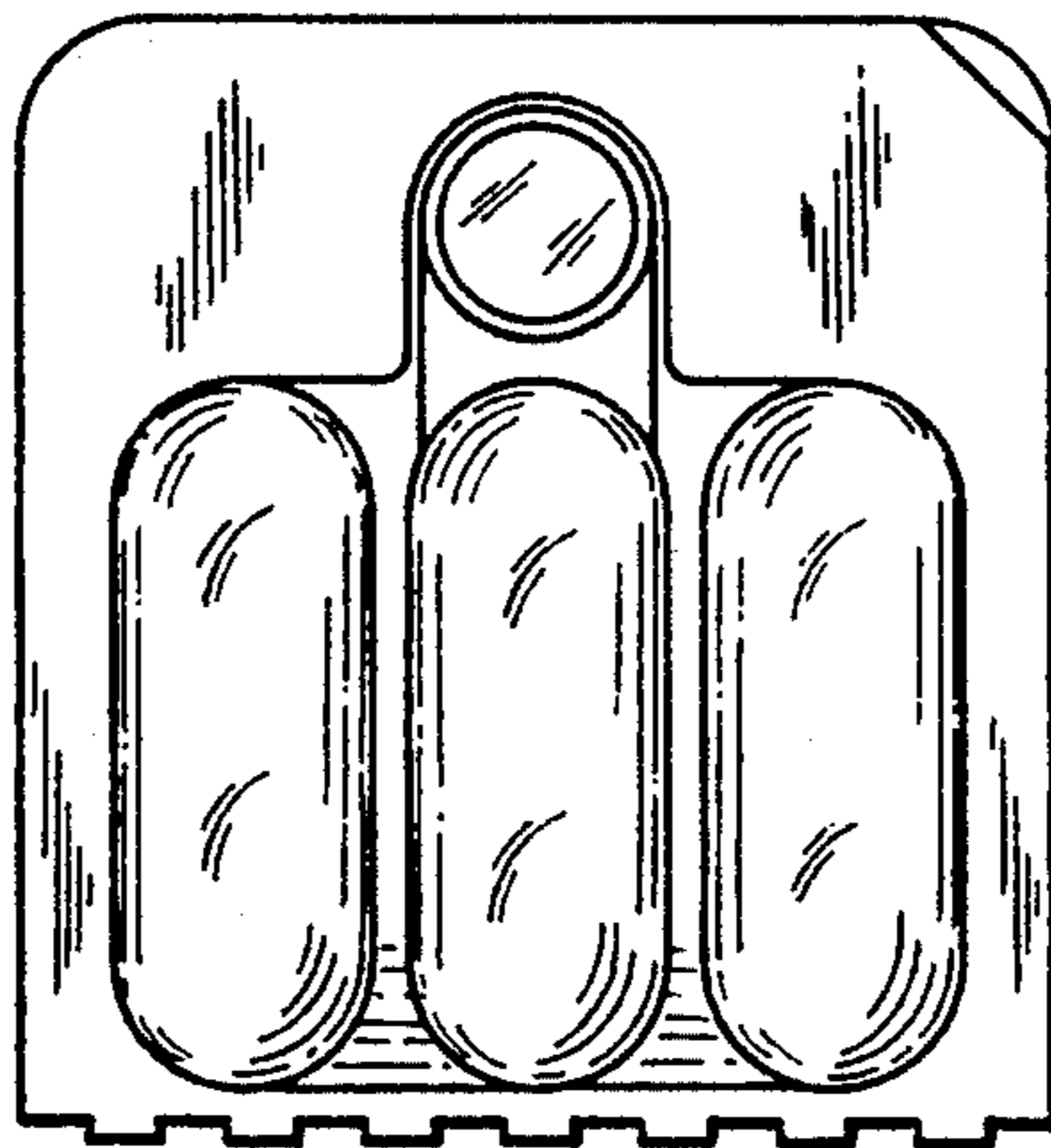


FIG. 7

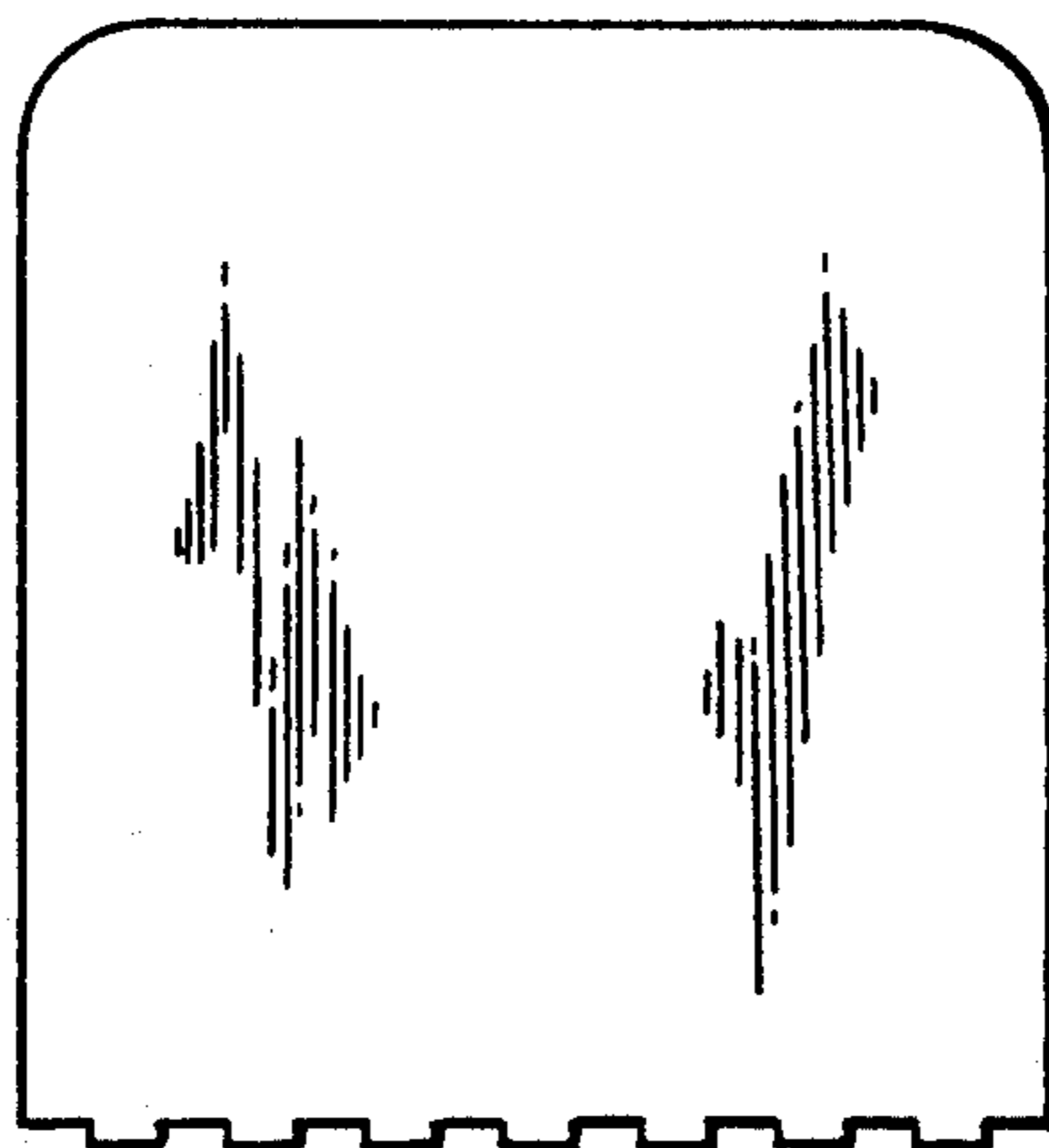
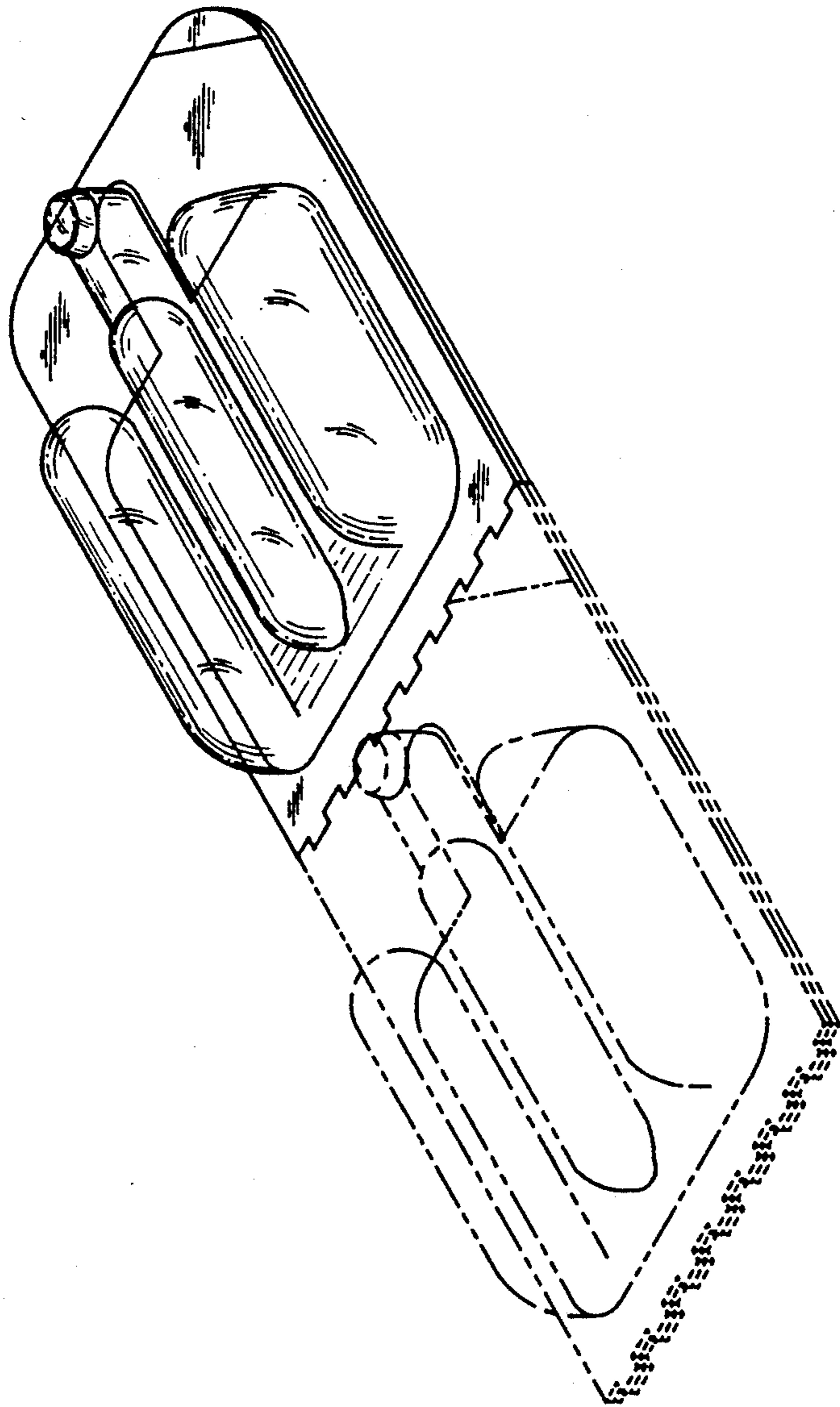


FIG. 8



UNITED STATES PATENT AND TRADEMARK OFFICE
CERTIFICATE OF CORRECTION

PATENT NO. : Des. 330,855

DATED : November 10, 1992

INVENTOR(S) : Harry B. Demopoulos and Joel Ross

It is certified that error appears in the above-identified patent and that said Letters Patent is hereby corrected as shown below:

On the title page, item [75], after Harry B. Demopoulos, Scarsdale, N.Y., add --and Joel Ross, Ardsley, N.Y.--

On the title page in the Description, first line, "medicine" should read --pills, capsules, and dosage forms--.

Signed and Sealed this
Twelfth Day of October, 1993

Attest:



BRUCE LEHMAN

Attesting Officer

Commissioner of Patents and Trademarks