



US00D330847S

# United States Patent [19]

[11] Patent Number: **Des. 330,847**

Clivio

[45] Date of Patent: **\*\* Nov. 10, 1992**

[54] **HOSE REEL CART**

[75] Inventor: **Franco Clivio, Zurich, Switzerland**

[73] Assignee: **Gardena Kress + Kastner GmbH, Fed. Rep. of Germany**

[\*\*] Term: **14 Years**

[21] Appl. No.: **578,323**

[22] Filed: **Sep. 6, 1990**

[30] **Foreign Application Priority Data**

Jul. 11, 1990 [IB] Int'l Pat. Institute ..... **DM 017123**

[52] U.S. Cl. .... **D8/359**

[58] Field of Search ..... **D8/358, 359; D34/26; 242/86, 86.2**

[56] **References Cited**

**U.S. PATENT DOCUMENTS**

D. 294,456	3/1988	Nelson	.....	D8/359
D. 303,446	9/1989	Kitts et al.	.....	D34/26
4,137,939	2/1979	Chow	.	
4,512,361	4/1985	Tisbo et al.	.	
4,768,546	9/1988	Brusadin et al.	.....	D34/26 X
4,974,627	12/1990	Nelson	.....	242/86.2
5,007,598	4/1991	Spear et al.	.....	242/86 X

**OTHER PUBLICATIONS**

Clapper's Spring Garden Catalog, 1989, p. 33, hose trolley, item B on right of page.

Suncast Corporation 1987 Lawn and Garden Catalog Claber S.p.A., Reflexion Catalog, 1989.

Gardena Gardening Equipment Catalog, 1989, p. 27 Ames Home, Farm and Industry Catalog No. 8825, May 1988.

Ames New Product Supplement No. 9020, Jun. 1989. Melnor International Lawn and Garden Catalog, 1990.

*Primary Examiner*—Wallace R. Burke

*Assistant Examiner*—H. Baynham

*Attorney, Agent, or Firm*—Quarles & Brady

[57] **CLAIM**

The ornamental design for a hose reel cart, as shown and described.

**DESCRIPTION**

FIG. 1 is a perspective view of a hose reel showing my new design;

FIG. 2 is a left side elevational view thereof;

FIG. 3 is a front elevational view thereof;

FIG. 4 is a right side elevational view thereof;

FIG. 5 is a rear elevational view thereof;

FIG. 6 is a top plan view thereof; and,

FIG. 7 is a bottom plan view thereof.

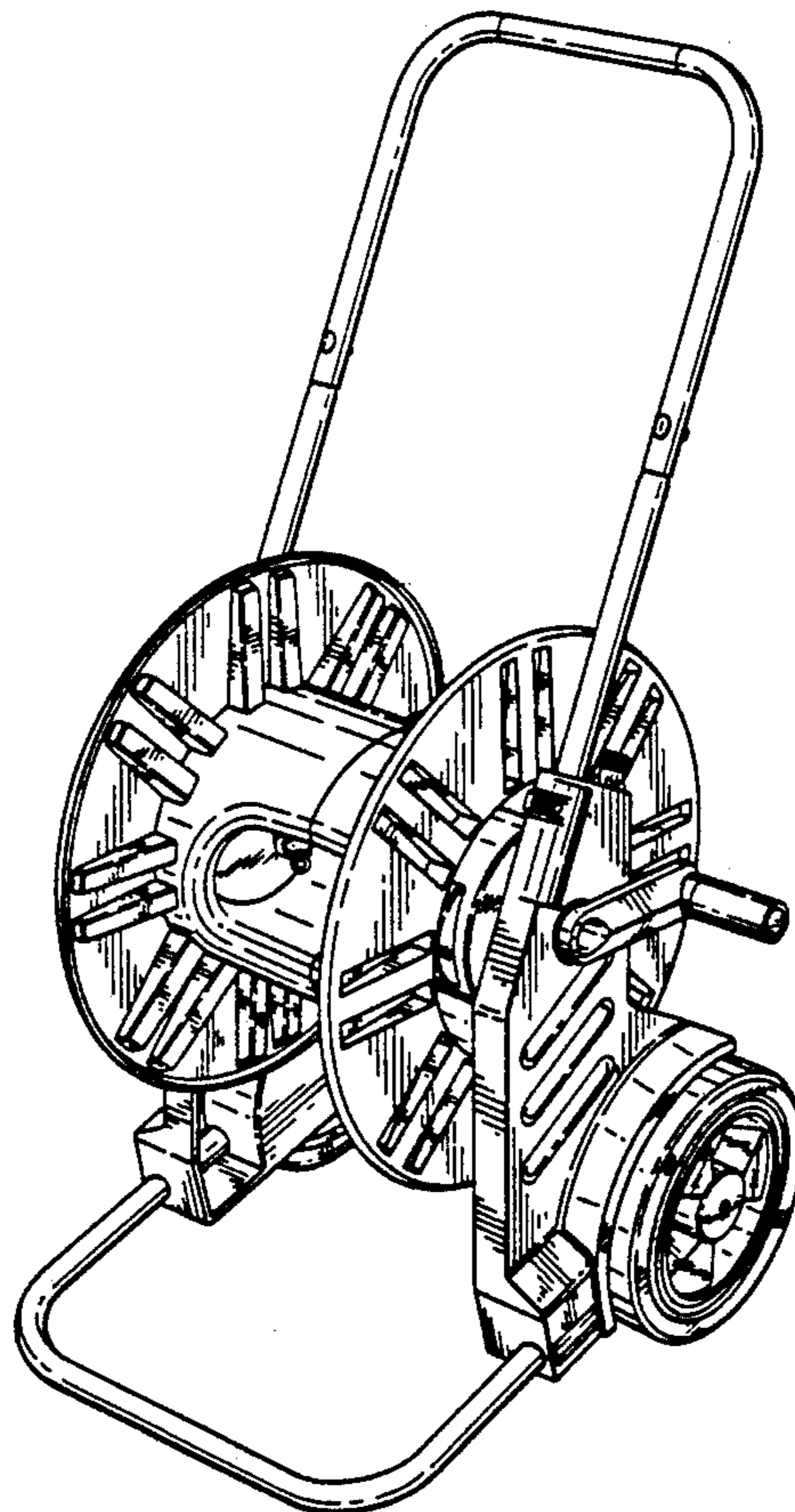
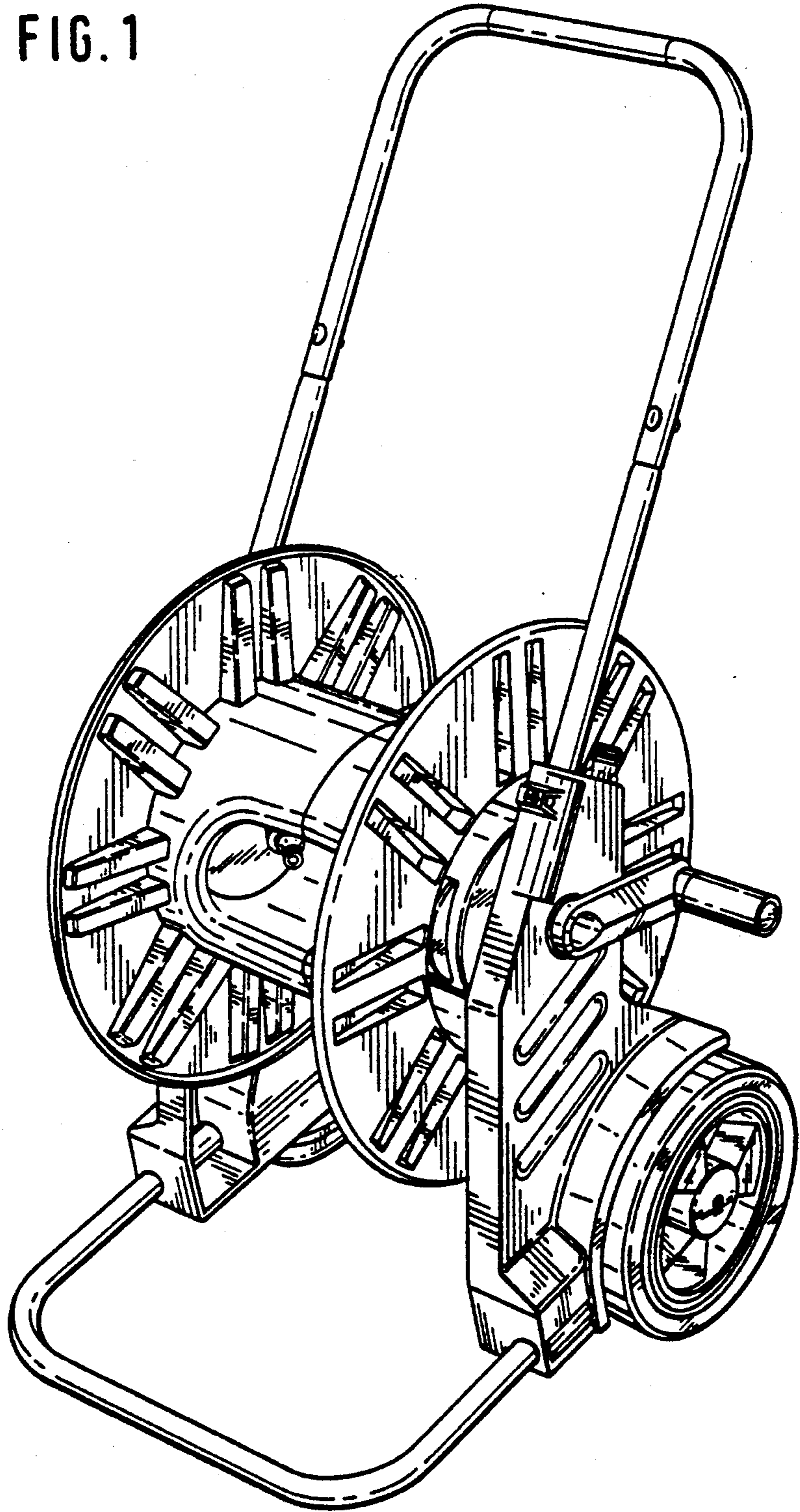


FIG. 1



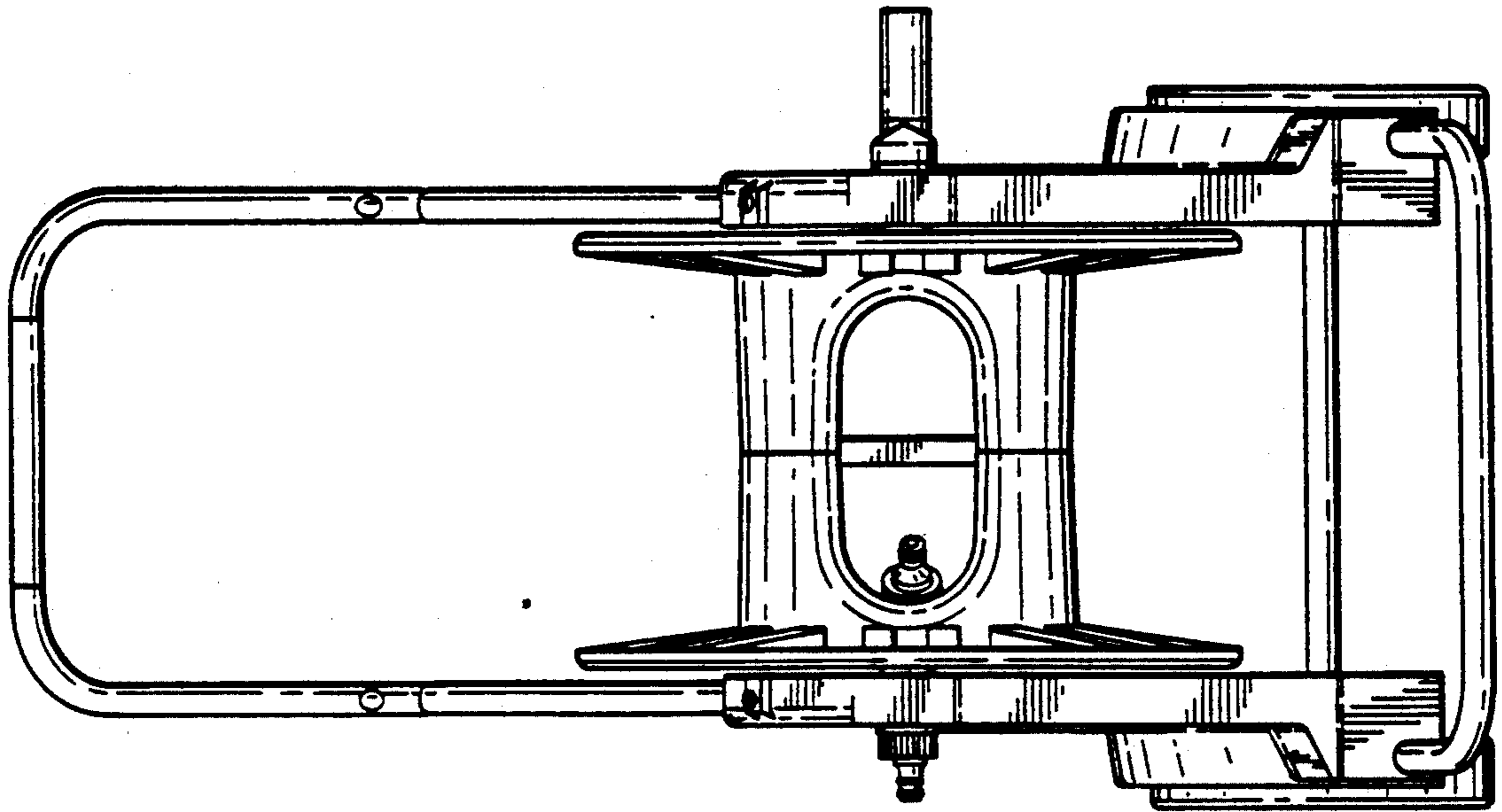


FIG. 3

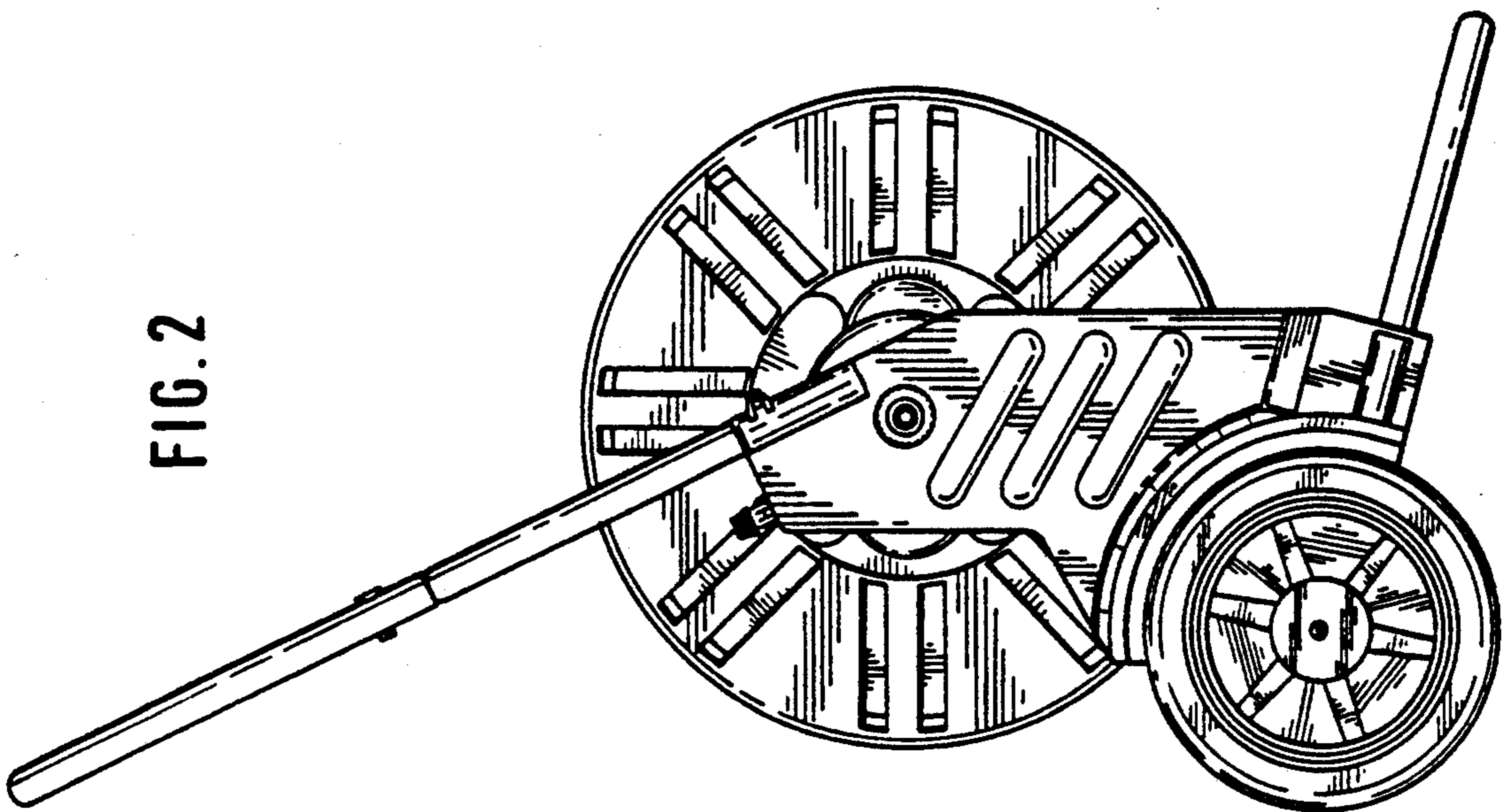


FIG. 2

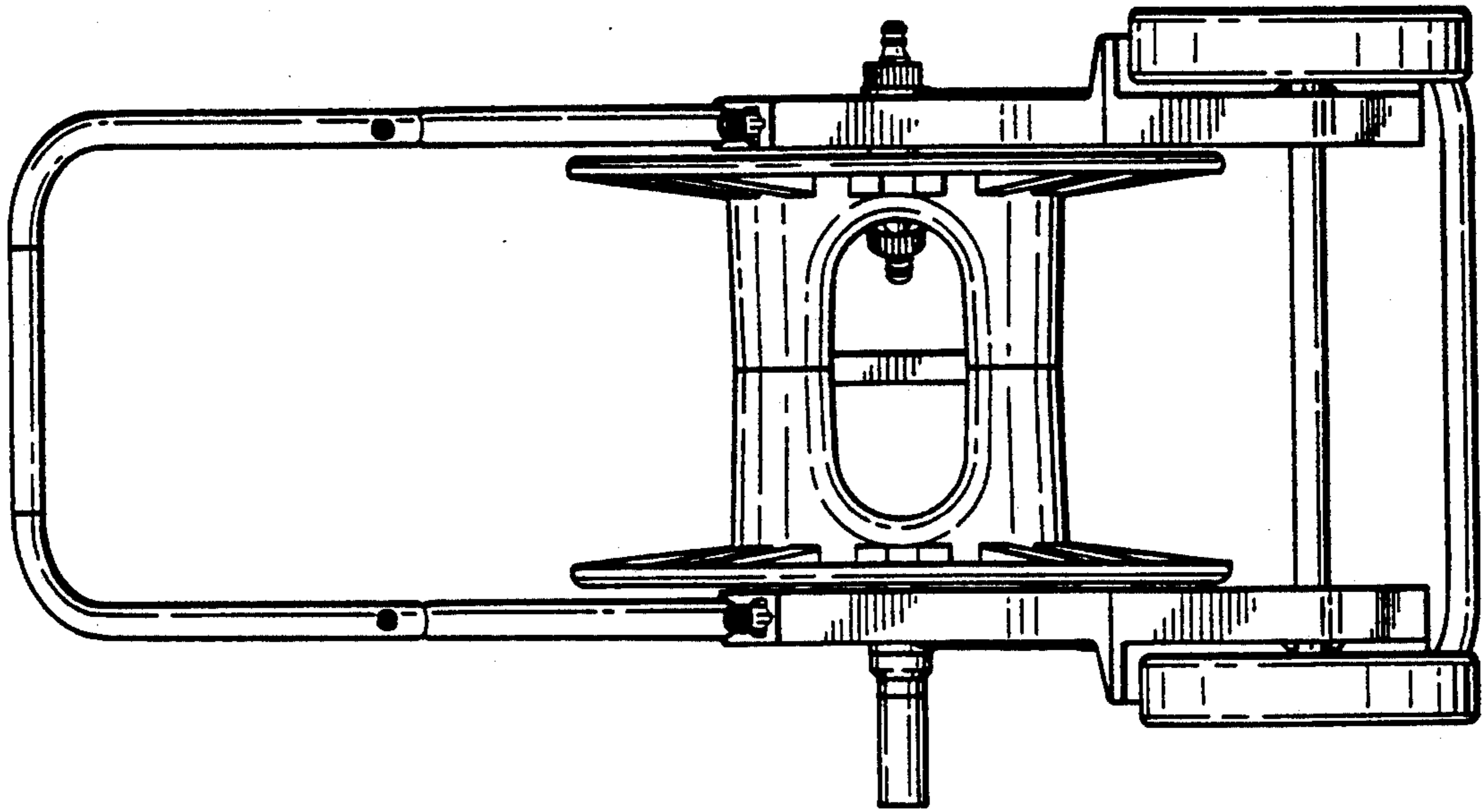


FIG. 5

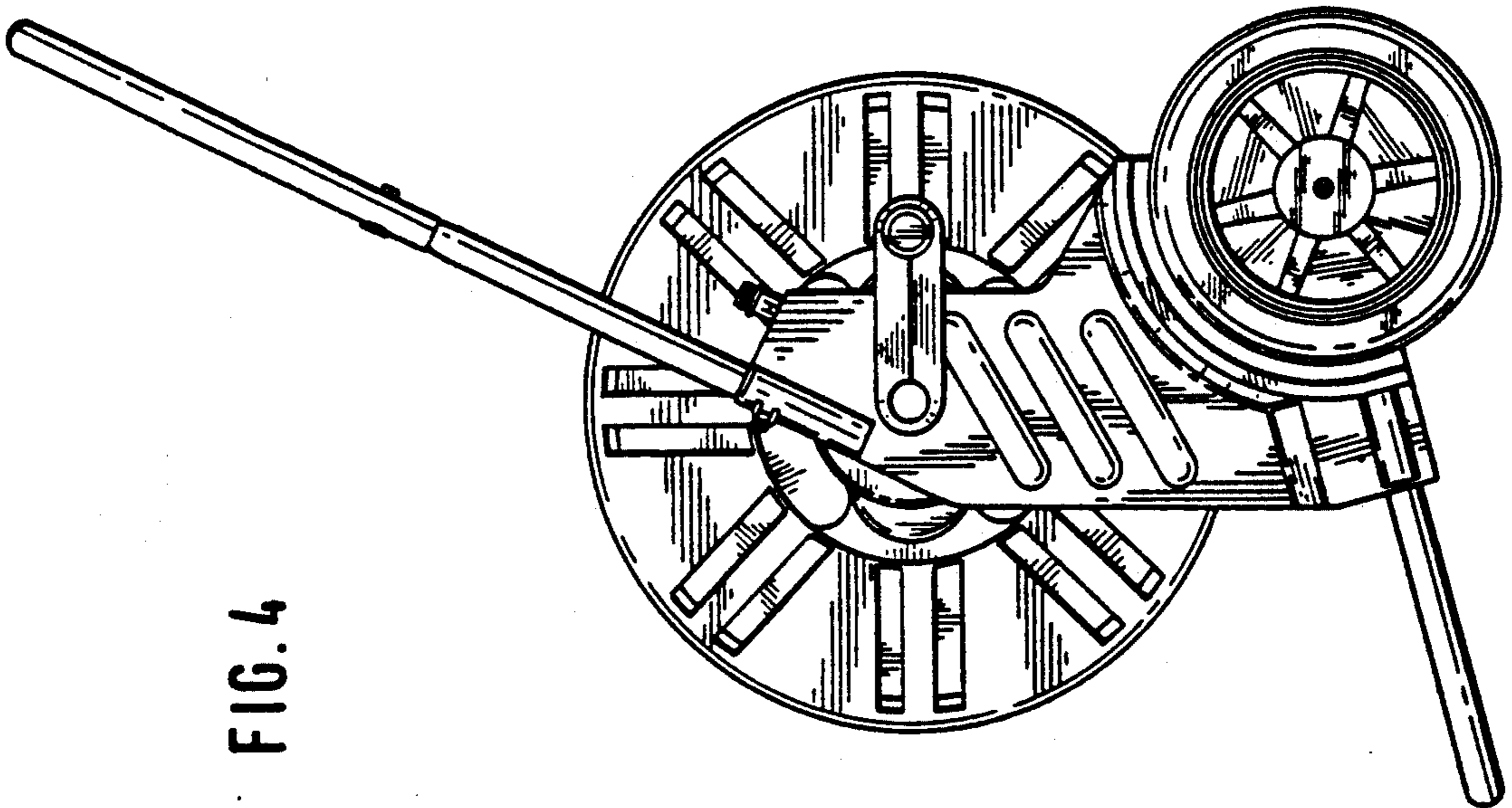


FIG. 4

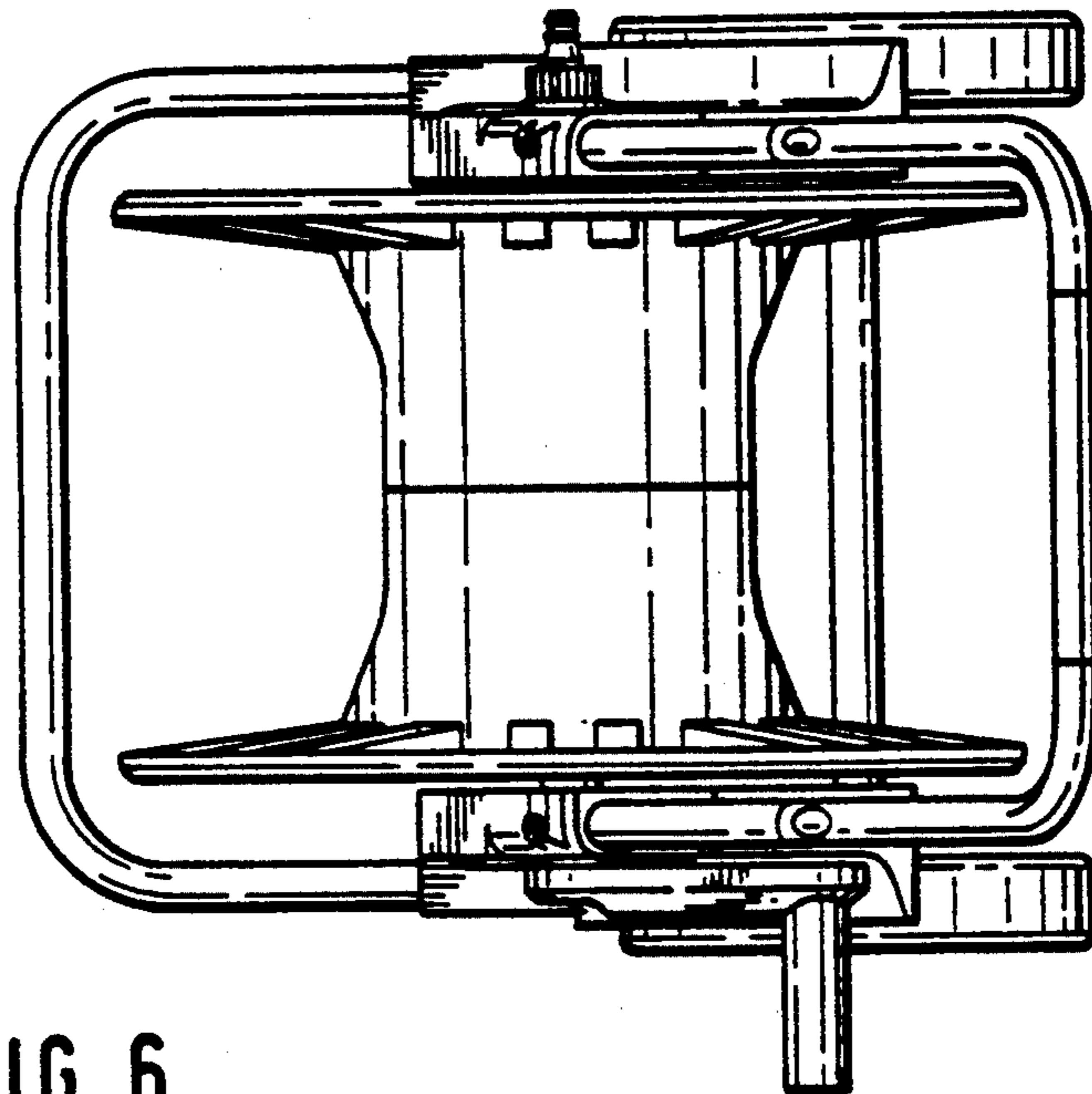


FIG. 6

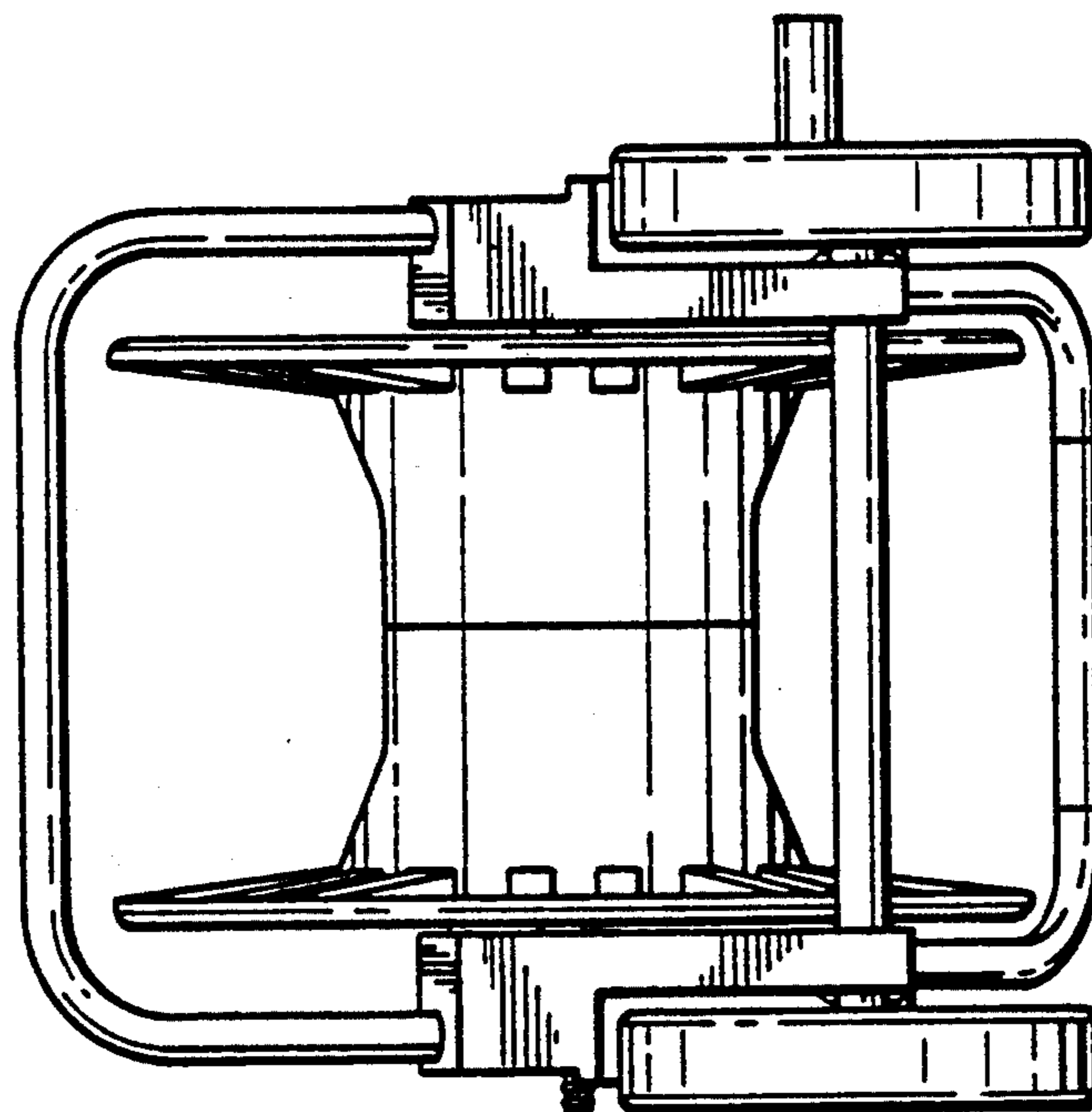


FIG. 7