



US00D330842S

# United States Patent [19]

Meeker et al.

[11] Patent Number: **Des. 330,842**

[45] Date of Patent: **\*\* Nov. 10, 1992**

[54] **ADJUSTABLE BOOSTER SEAT**

[75] Inventors: **Paul K. Meeker, Aurora; William R. Gibson, Canton, both of Ohio**

[73] Assignee: **Lisco, Inc., Tampa, Fla.**

[\*\*] Term: **14 Years**

[21] Appl. No.: **564,498**

[22] Filed: **Aug. 8, 1990**

[52] U.S. Cl. .... **D6/333**

[58] Field of Search ..... **D6/333, 335, 339, 349, D6/353, 366, 374, 375; D21/21; 297/DIG. 1, DIG. 2, 153, 155, 250, 439, 445, 487**

[56] **References Cited**

**U.S. PATENT DOCUMENTS**

D. 283,855	5/1986	Kujawski .....	D6/333
D. 314,674	2/1991	Kohus et al. ....	D6/333
2,019,005	10/1935	Erickson .....	297/153 X
3,083,053	3/1963	Dorsey .....	297/153
4,143,915	3/1979	Kamlay .....	297/153 X

4,213,213	7/1980	Burnett .....	297/DIG. 1 X
4,854,638	8/1989	Marcus et al. ....	297/DIG. 2 X
4,889,388	12/1989	Hime .....	297/DIG. 1 X
4,946,180	8/1990	Baer .....	297/155 X
4,968,091	11/1990	Mariol .....	297/439 X

*Primary Examiner*—Carmen H. Vales-Lado

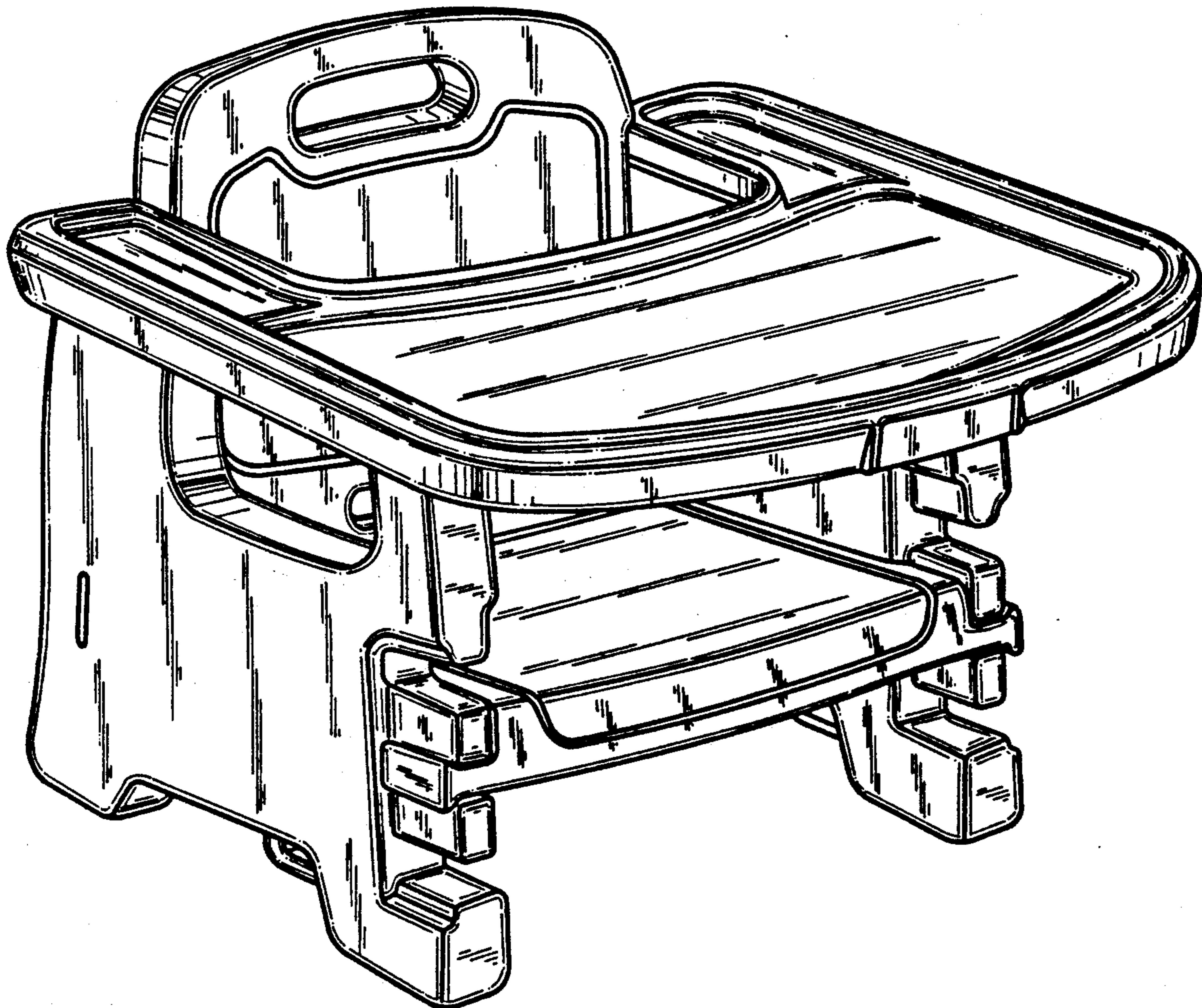
*Assistant Examiner*—Monica A. Hannon

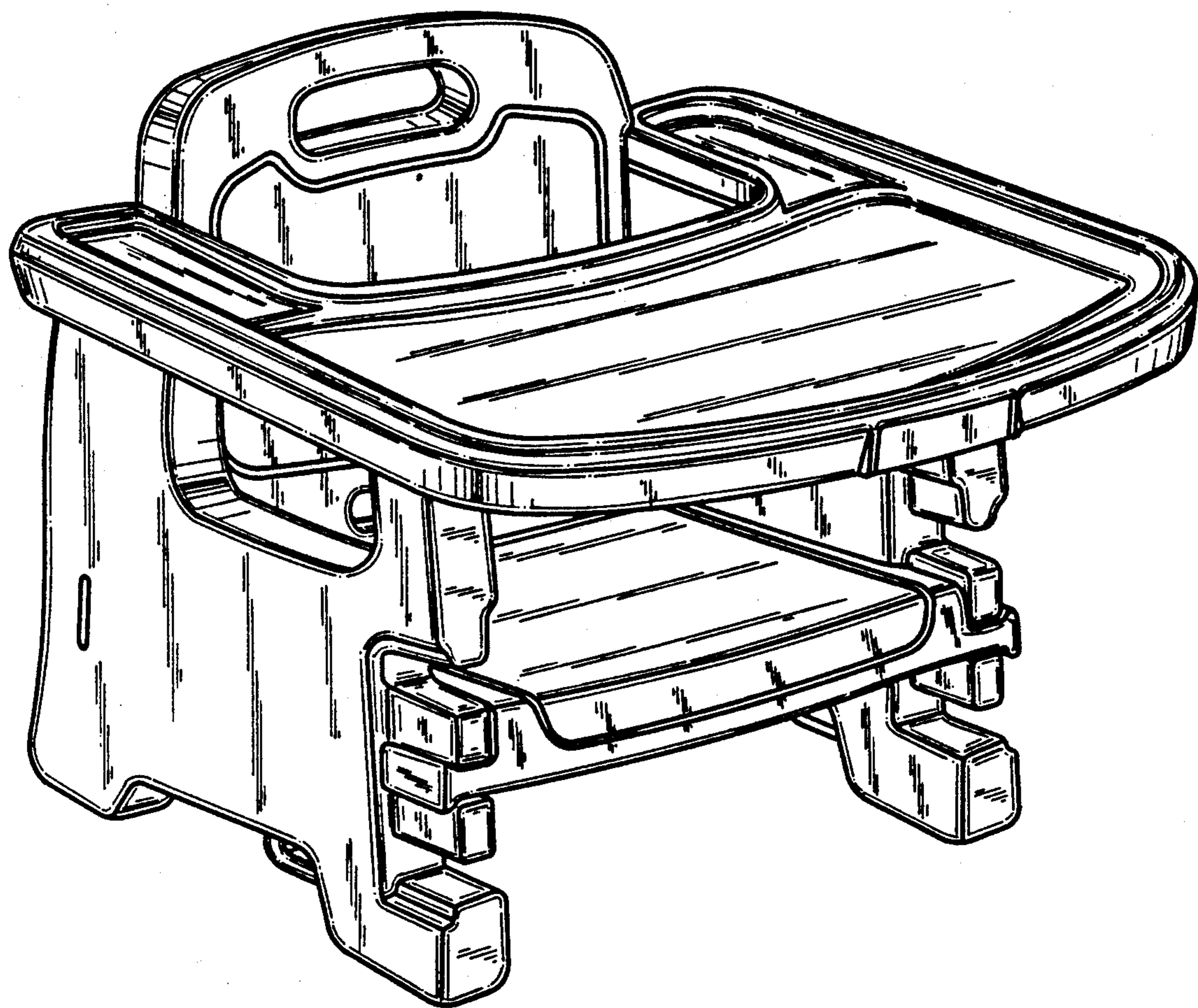
[57] **CLAIM**

The ornamental design for an adjustable booster seat, as shown and described.

**DESCRIPTION**

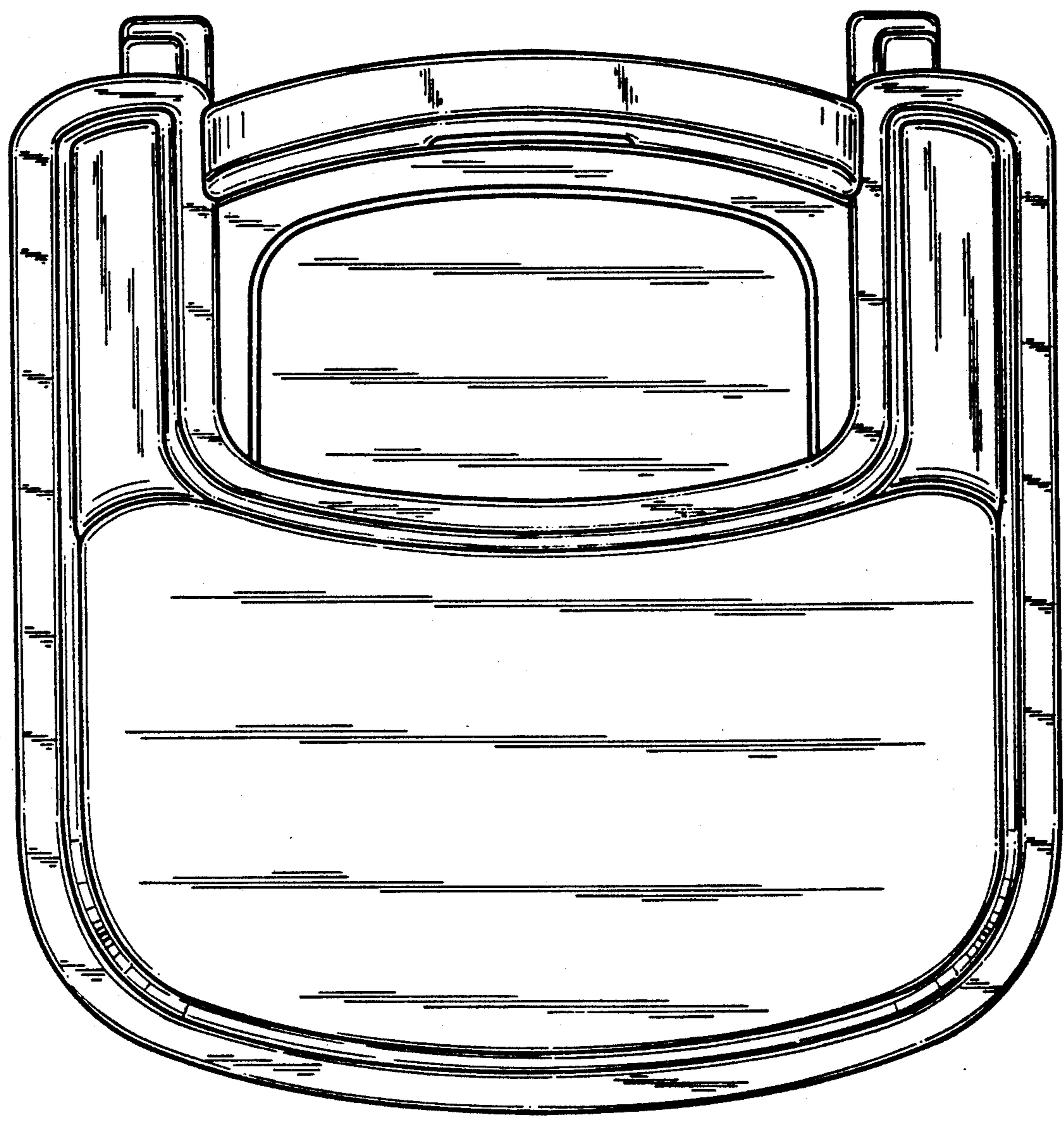
FIG. 1 is a front perspective view of an adjustable booster seat showing our new design; FIG. 2 is a top plan view thereof; FIG. 3 is a left side elevational view thereof; FIG. 4 is a right side elevational view thereof; FIG. 5 is a front elevational view thereof; FIG. 6 is a rear elevational view thereof; and, FIG. 7 is a bottom plan view thereof. FIGS. 2-7 have been drawn on an enlarged scale with respect to FIG. 1.



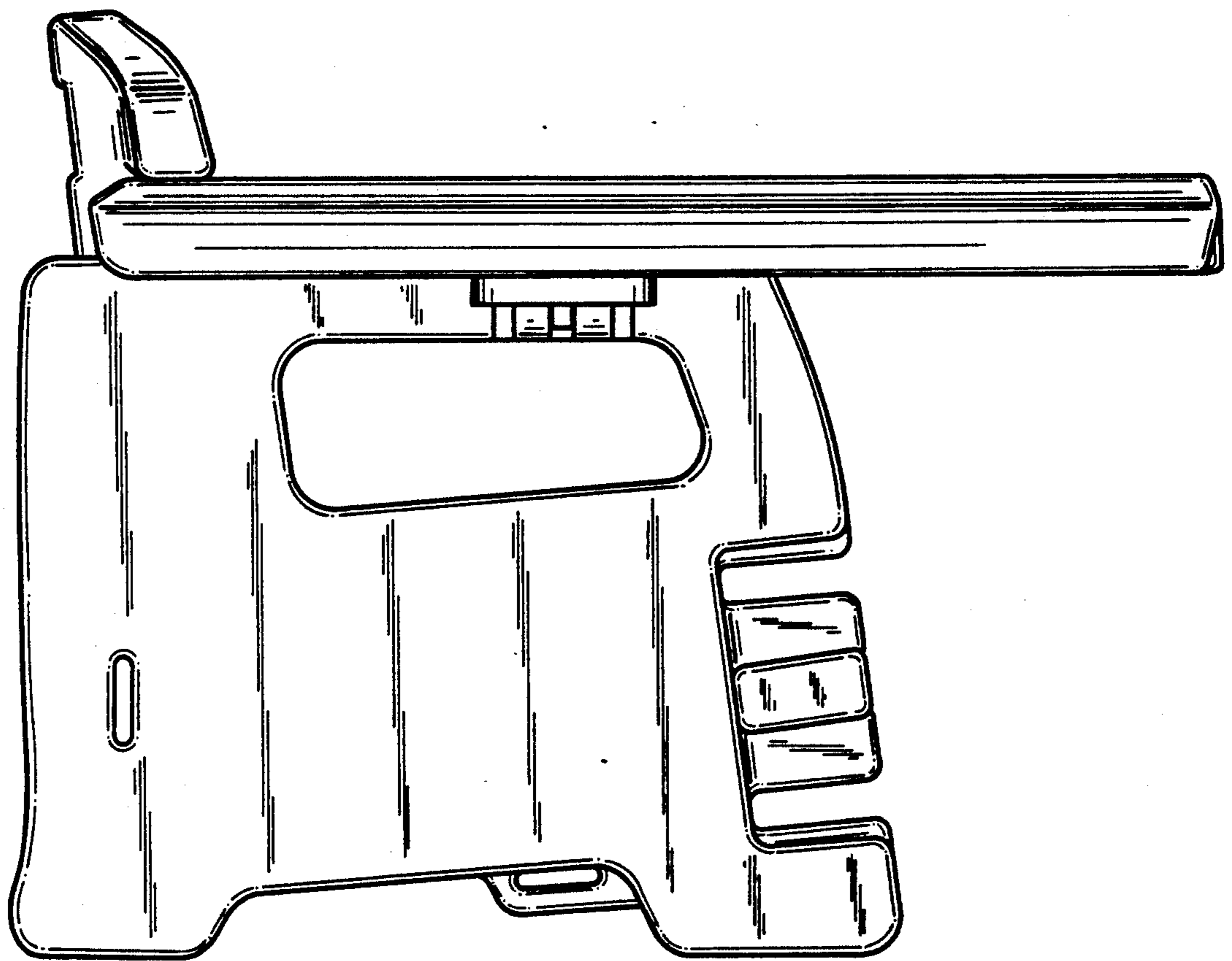


—FIG. 1

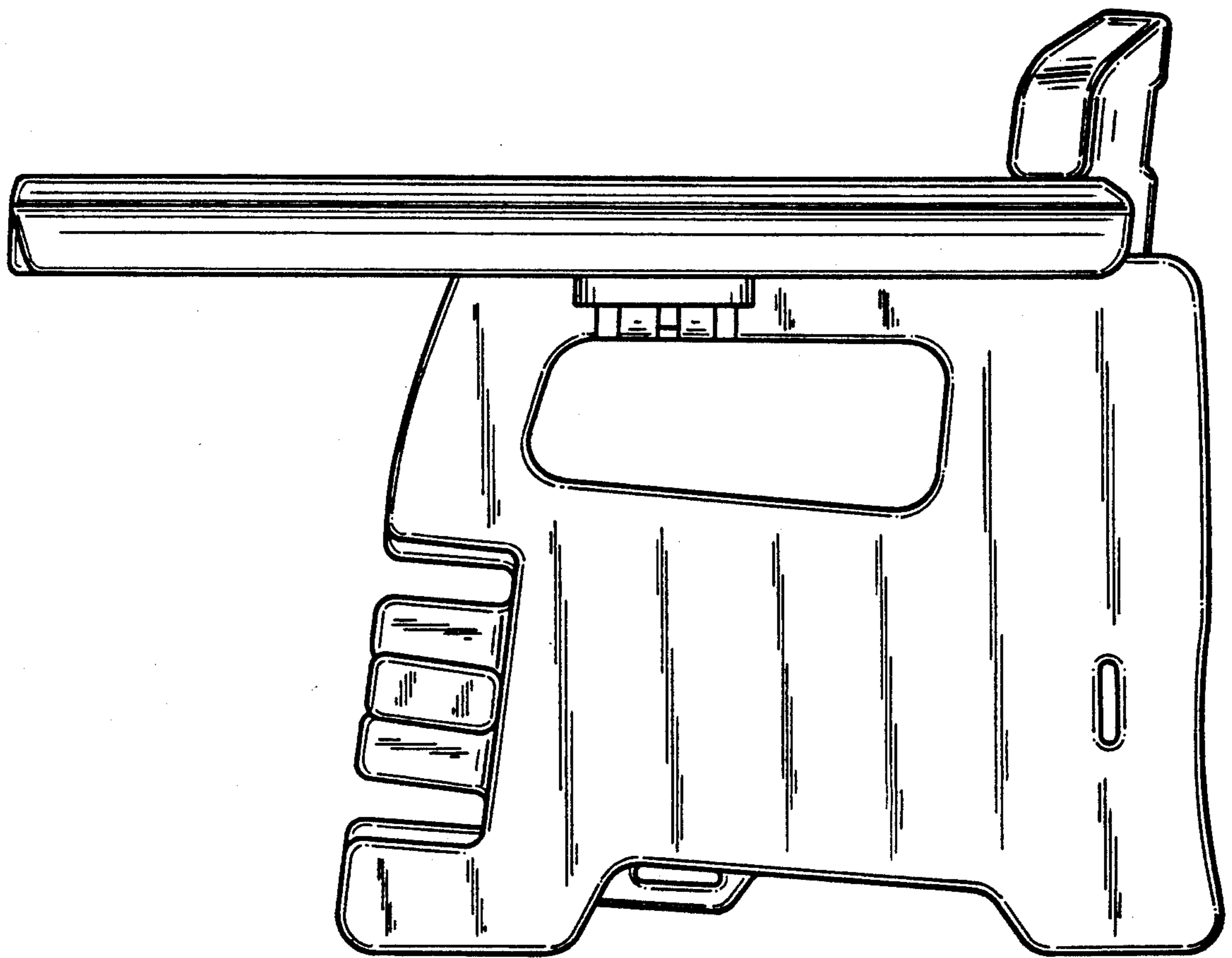




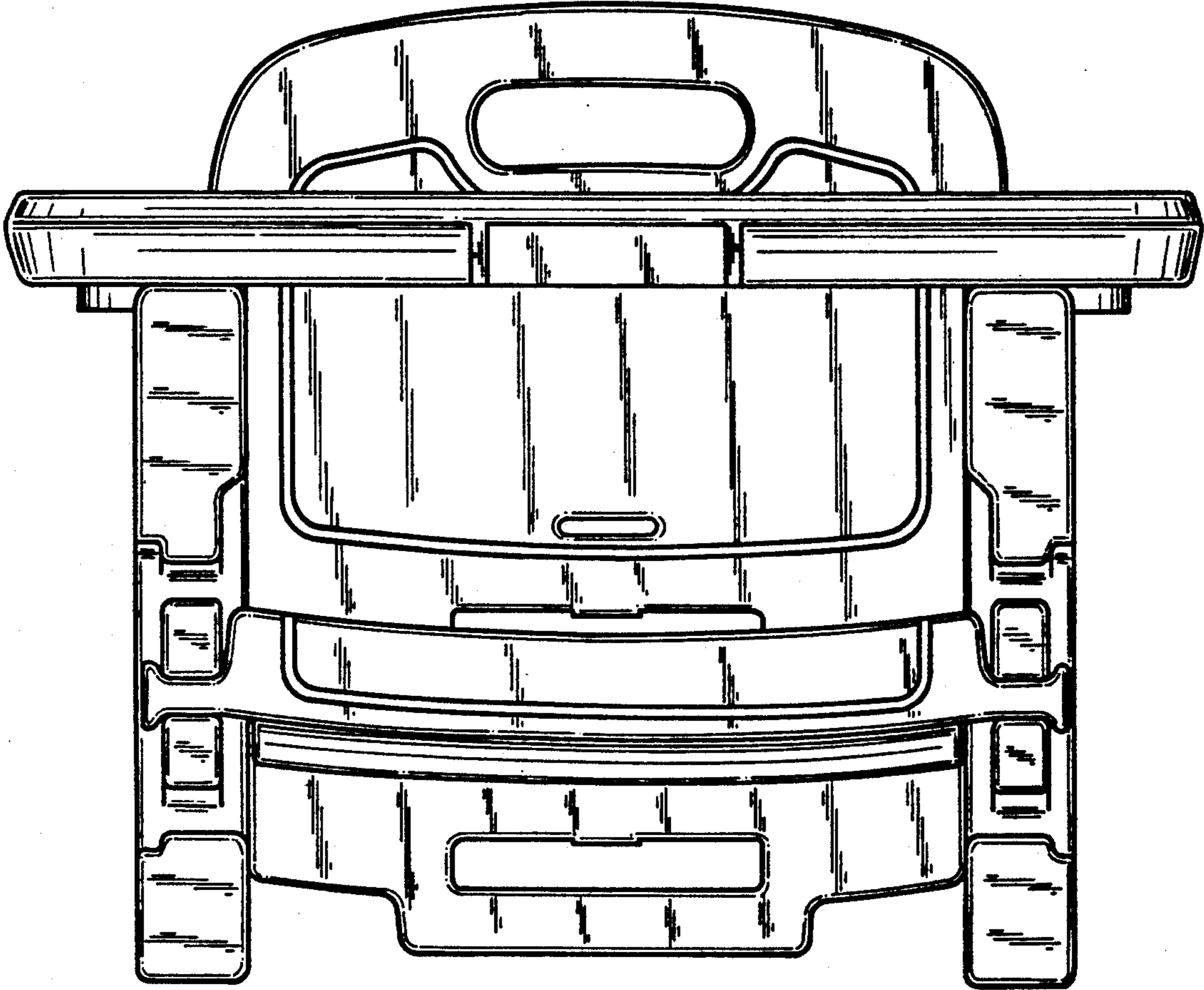
—FIG. 2



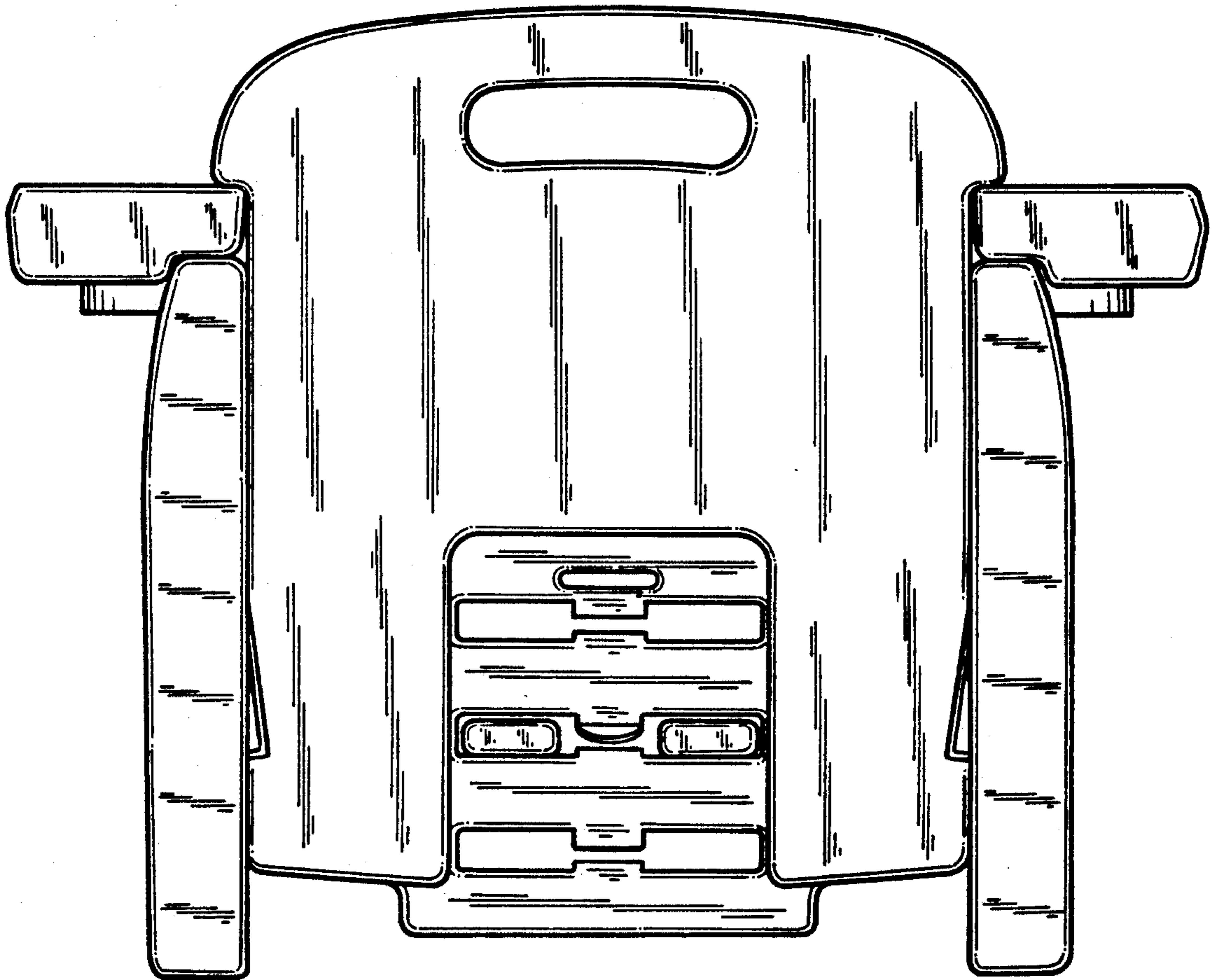
—FIG. 3



—FIG. 4

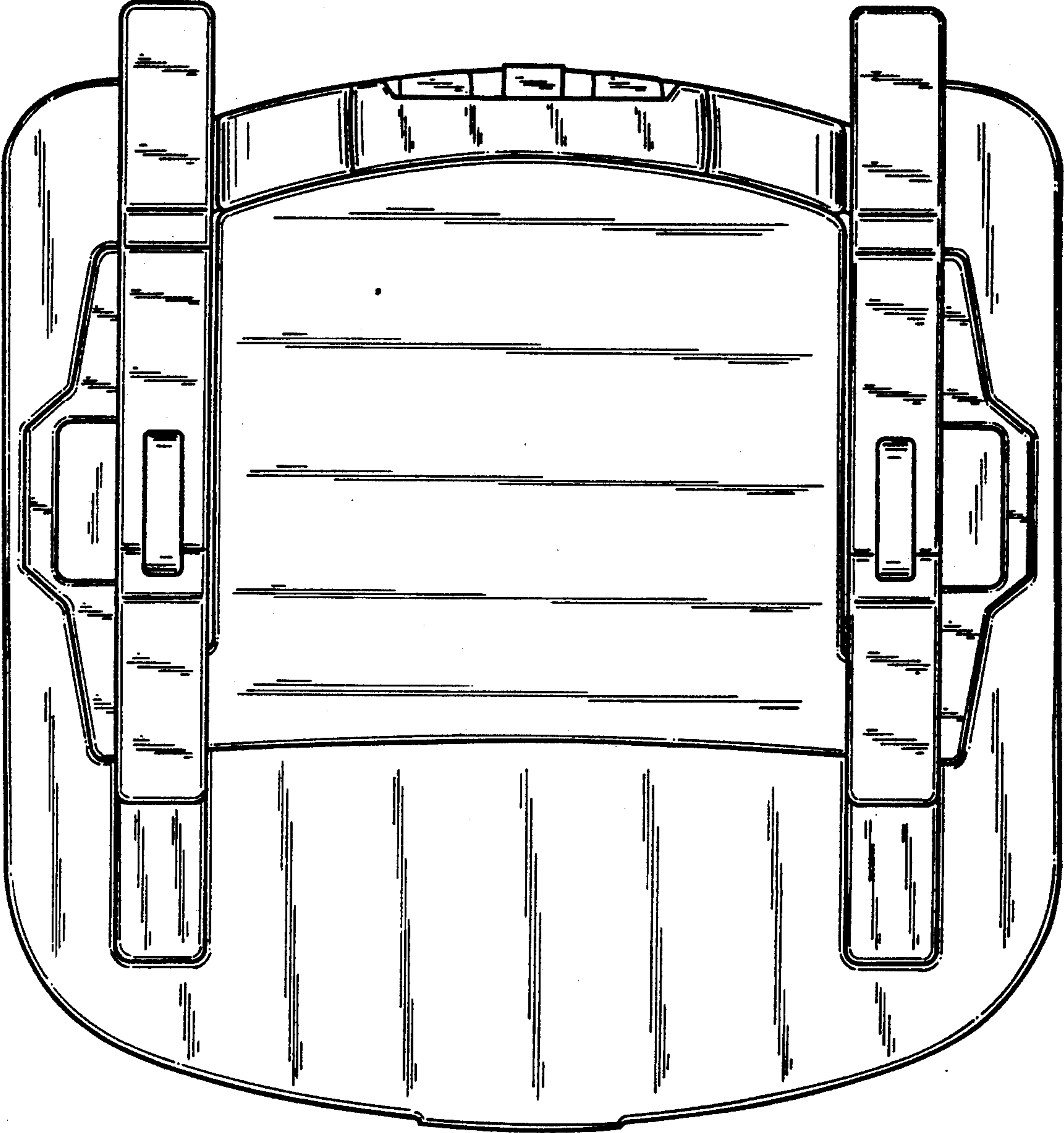


—FIG. 5



—FIG. 6





—FIG. 7