



US00D330841S

# United States Patent [19] Shen

[11] Patent Number: **Des. 330,841**

[45] Date of Patent: **\*\* Nov. 10, 1992**

[54] **STEERING WHEEL LOCK**

5,107,692 4/1992 Chen ..... 70/226 X

[76] Inventor: **Alice Shen**, 68-1, Hsien-Jen Rd.,  
Ta-Chia Chen, Tai-Chung Hsien,  
Taiwan

*Primary Examiner*—Brian N. Vinson  
*Attorney, Agent, or Firm*—Morton J. Rosenberg; David  
I. Klein

[\*\*] Term: **14 Years**

[57] **CLAIM**

[21] Appl. No.: **731,703**

The ornamental design for a steering wheel lock, as  
shown and described.

[22] Filed: **Jul. 17, 1991**

**DESCRIPTION**

[52] U.S. Cl. .... **D8/331**

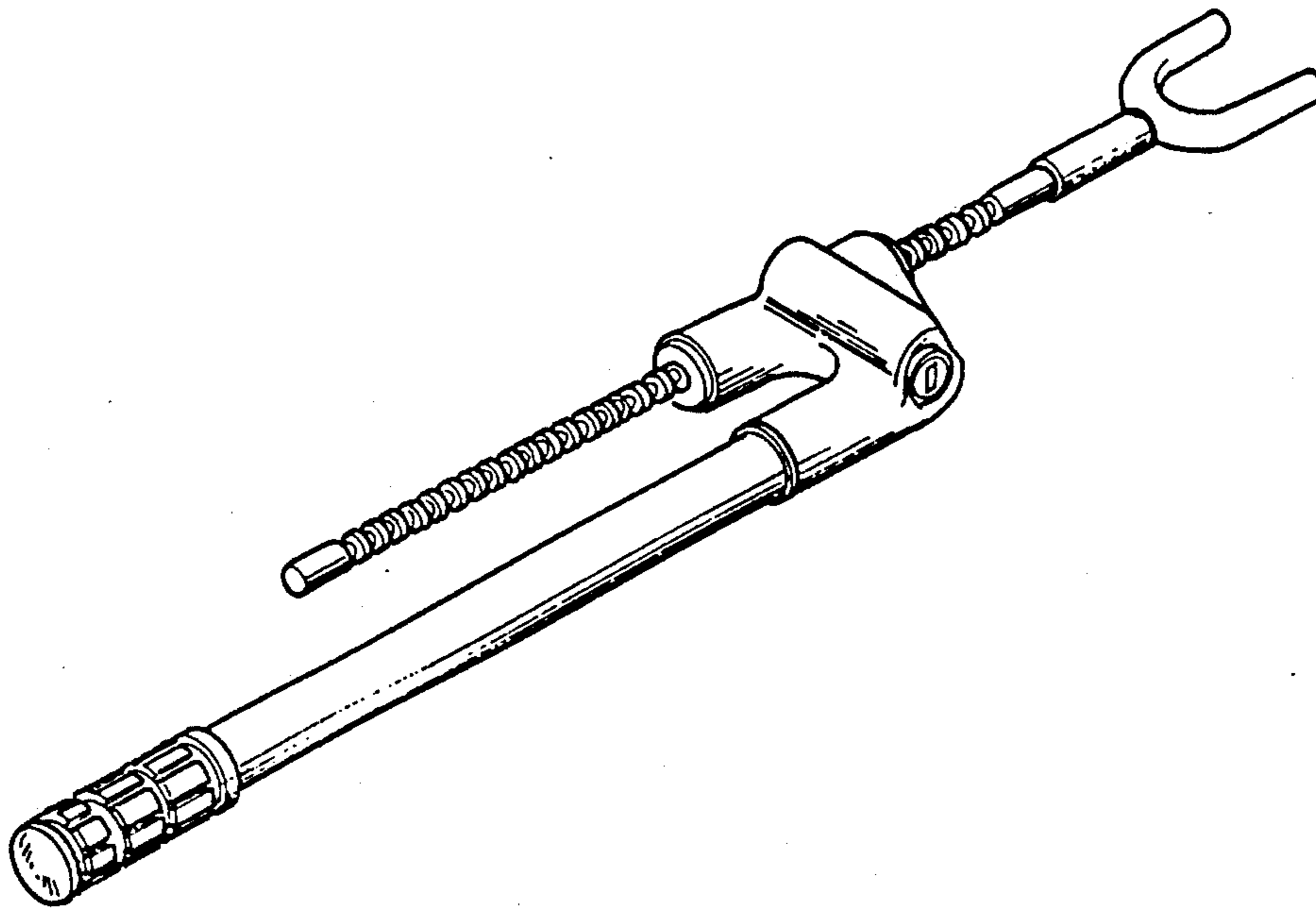
[58] Field of Search ..... **D8/330-331,**  
**D8/336, 338-339, 341-342; 70/207-211,**  
**214-215, 225-226, 237-238; 292/289**

FIG. 1 is a top, front, and left side perspective view of  
a steering wheel lock showing my new design;  
FIG. 2 is a front elevational view thereof;  
FIG. 3 is a rear elevational view thereof;  
FIG. 4 is a right side elevational view thereof;  
FIG. 5 is a left side elevational view thereof;  
FIG. 6 is a top plan view thereof;  
FIG. 7 is a bottom plan view thereof; and,  
FIG. 8 is a top, front, and left side perspective view  
thereof, shown in a position for storage.

[56] **References Cited**

**U.S. PATENT DOCUMENTS**

4,887,443 12/1989 Wang ..... 70/226 X  
4,935,047 6/1909 Wu ..... 70/238 X  
4,970,884 11/1990 Solow ..... 70/226 X



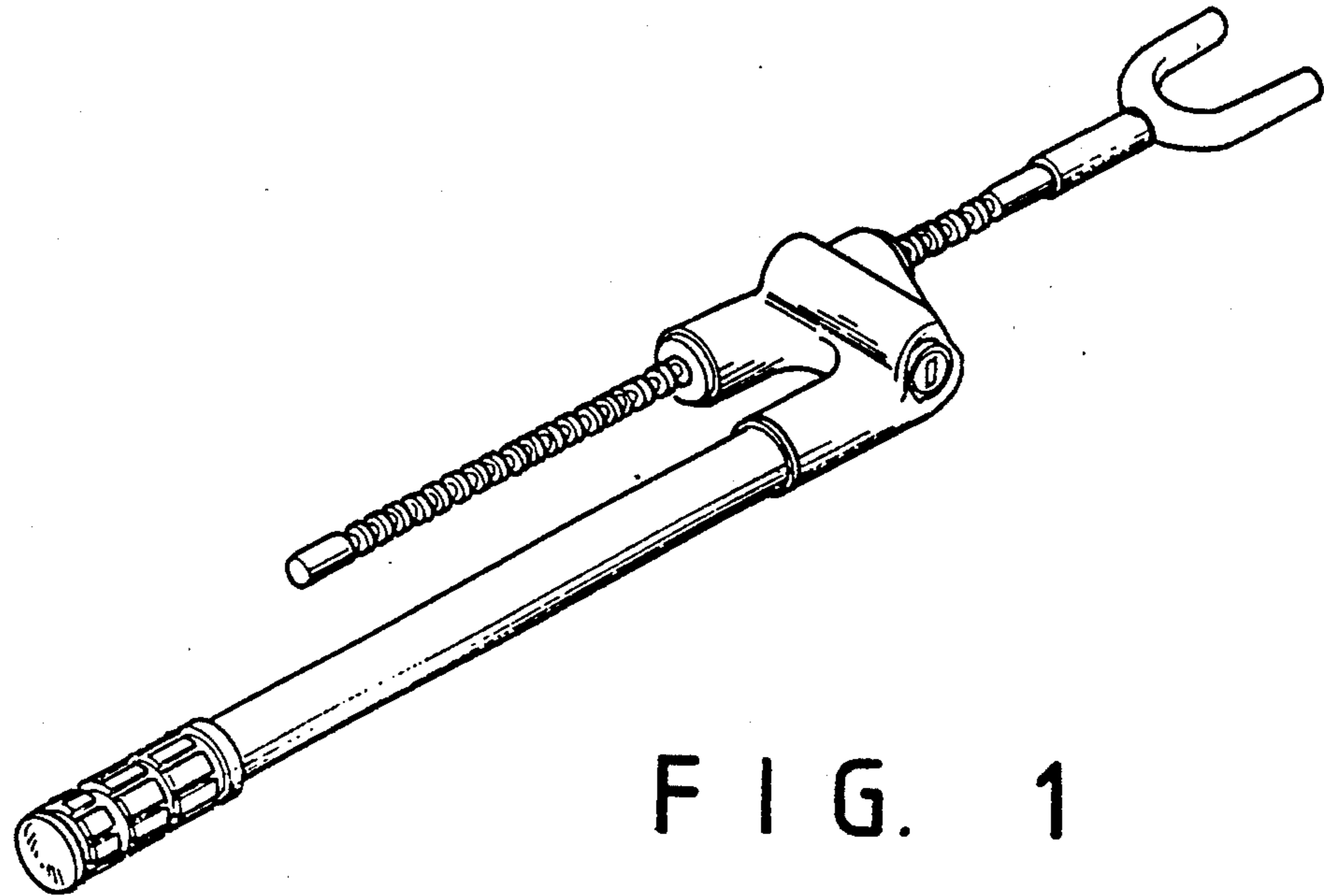


FIG. 1

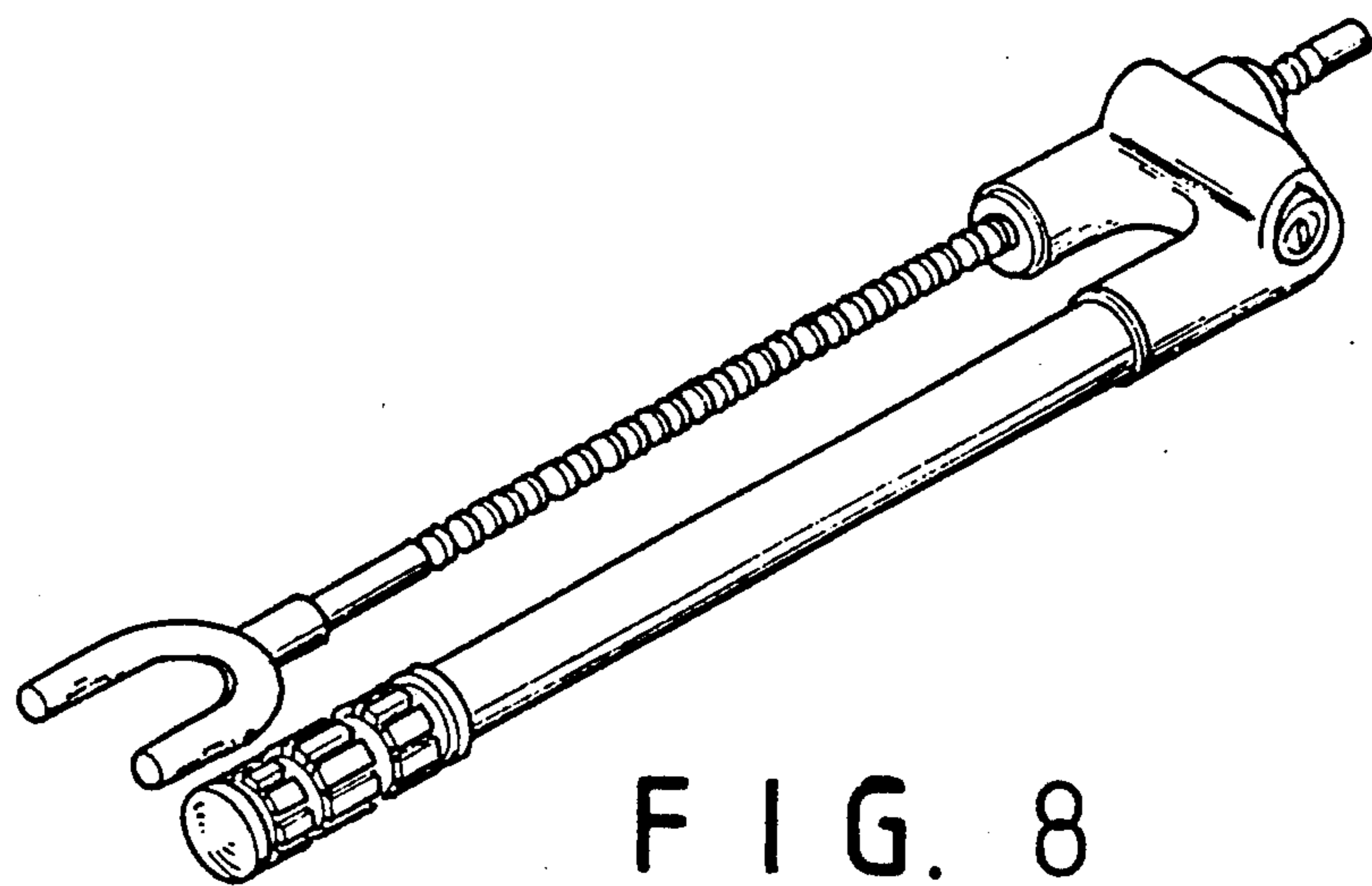


FIG. 8



FIG. 2



FIG. 3

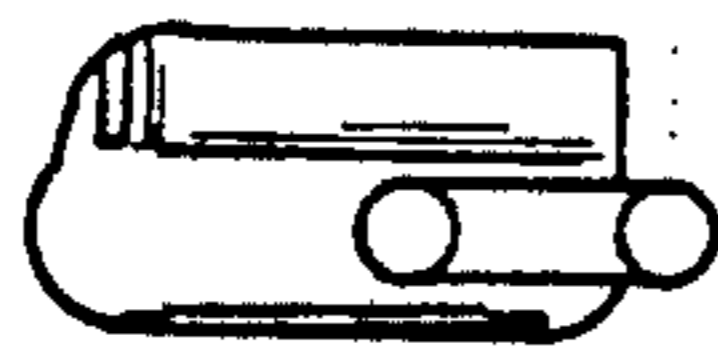


FIG. 4



FIG. 5

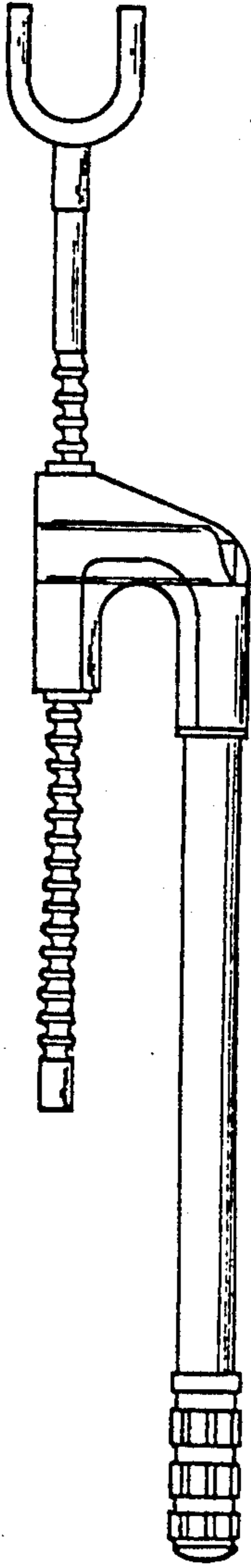


FIG. 6

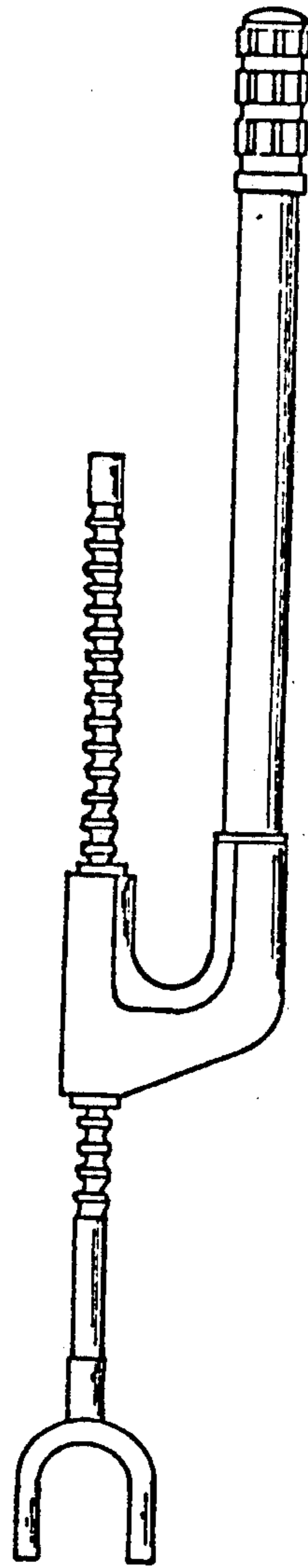


FIG. 7