



US00D330836S

# United States Patent [19]

[11] Patent Number: Des. 330,836

Fushiya et al.

[45] Date of Patent: \*\* Nov. 10, 1992

[54] **ELECTRICALLY-OPERATED TACKER**

[75] Inventors: **Fusao Fushiya, Nagoya; Akihito Hara, Aichi, both of Japan**

[73] Assignee: **Makita Electric Works, Ltd., Japan**

[\*\*] Term: **14 Years**

[21] Appl. No.: **567,675**

[22] Filed: **Aug. 15, 1990**

[30] **Foreign Application Priority Data**

Feb. 23, 1990 [JP] Japan ..... 2-5993

[52] U.S. Cl. .... **D8/69; D8/49**

[58] Field of Search ..... **D8/49, 50, 61, 67, 68; D8/69; 227/8, 10, 120, 130, 131, 132**

[56] **References Cited**

**U.S. PATENT DOCUMENTS**

- D. 266,221 9/1982 Ewig ..... D8/49
- D. 288,060 2/1987 Somers ..... D8/49
- D. 310,771 9/1990 Ewig ..... D8/69
- D. 311,123 10/1990 Mercadante et al. .... D8/69
- D. 313,156 12/1990 Staubitz ..... D8/69
- 3,973,179 8/1976 Weber et al. .... D8/69 X

- 4,230,249 10/1980 Nasiatka et al. .... D8/49 X
- 4,629,108 12/1986 Judge ..... D8/49 X
- 4,693,407 9/1987 Buck et al. .... 227/131
- 5,080,273 1/1992 Meyer ..... 227/8

**OTHER PUBLICATIONS**

Product Literature by Makita Electric Works, Ltd. for Model T-1010W, dated 1973.

*Primary Examiner*—Carmen H. Vales-Lado

*Assistant Examiner*—J. H. Musgrove

*Attorney, Agent, or Firm*—Lahive & Cockfield

[57] **CLAIM**

The ornamental design for an electrically-operated tacker, as shown.

**DESCRIPTION**

FIG. 1 is a top, front and right side perspective view of an electrically-operated tacker showing our new design;

FIG. 2 is a right side elevational view;

FIG. 3 is a left side elevational view;

FIG. 4 is a top plan view;

FIG. 5 is a bottom plan view;

FIG. 6 is a rear elevational view; and,

FIG. 7 is a front elevational view thereof.

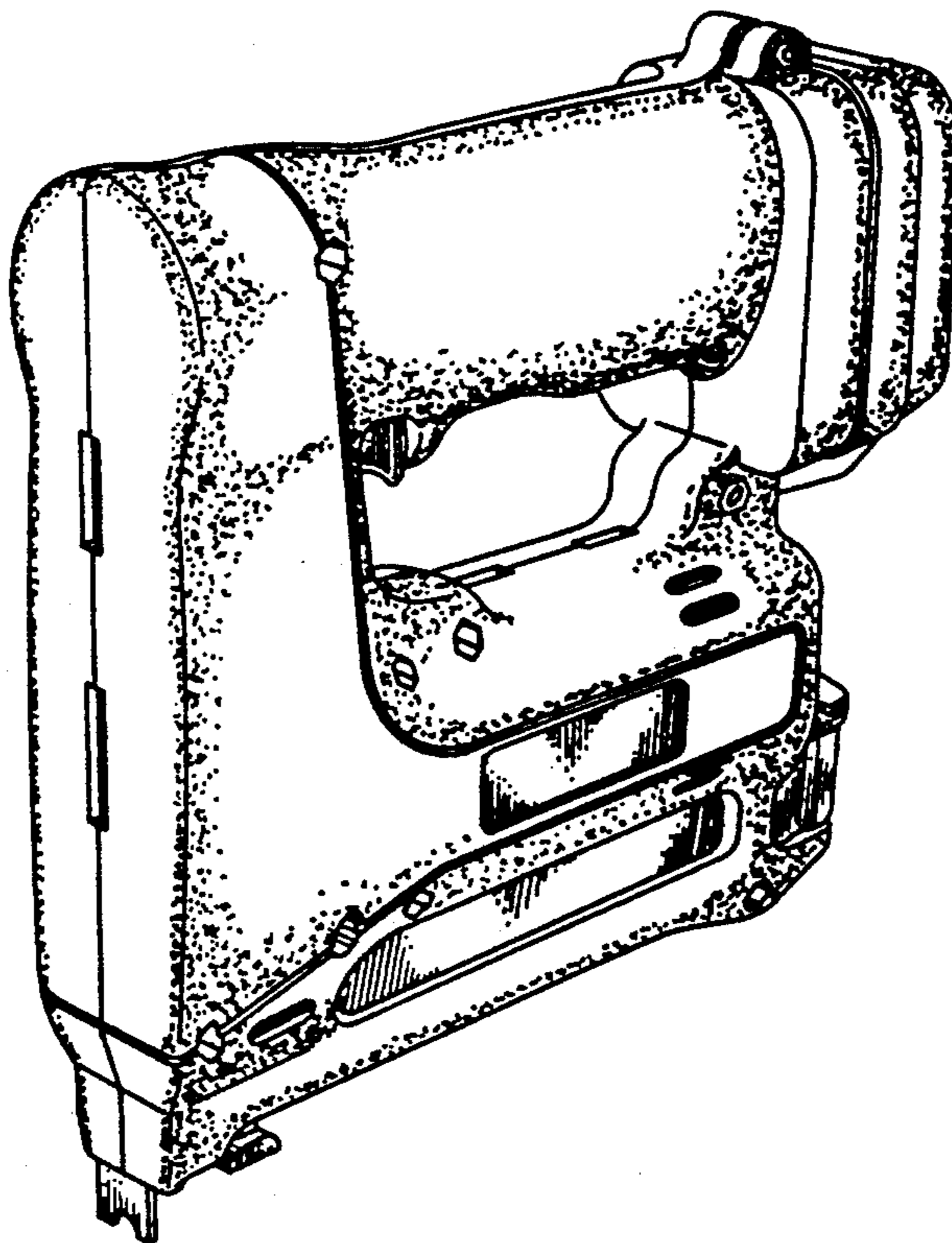


FIG. 1

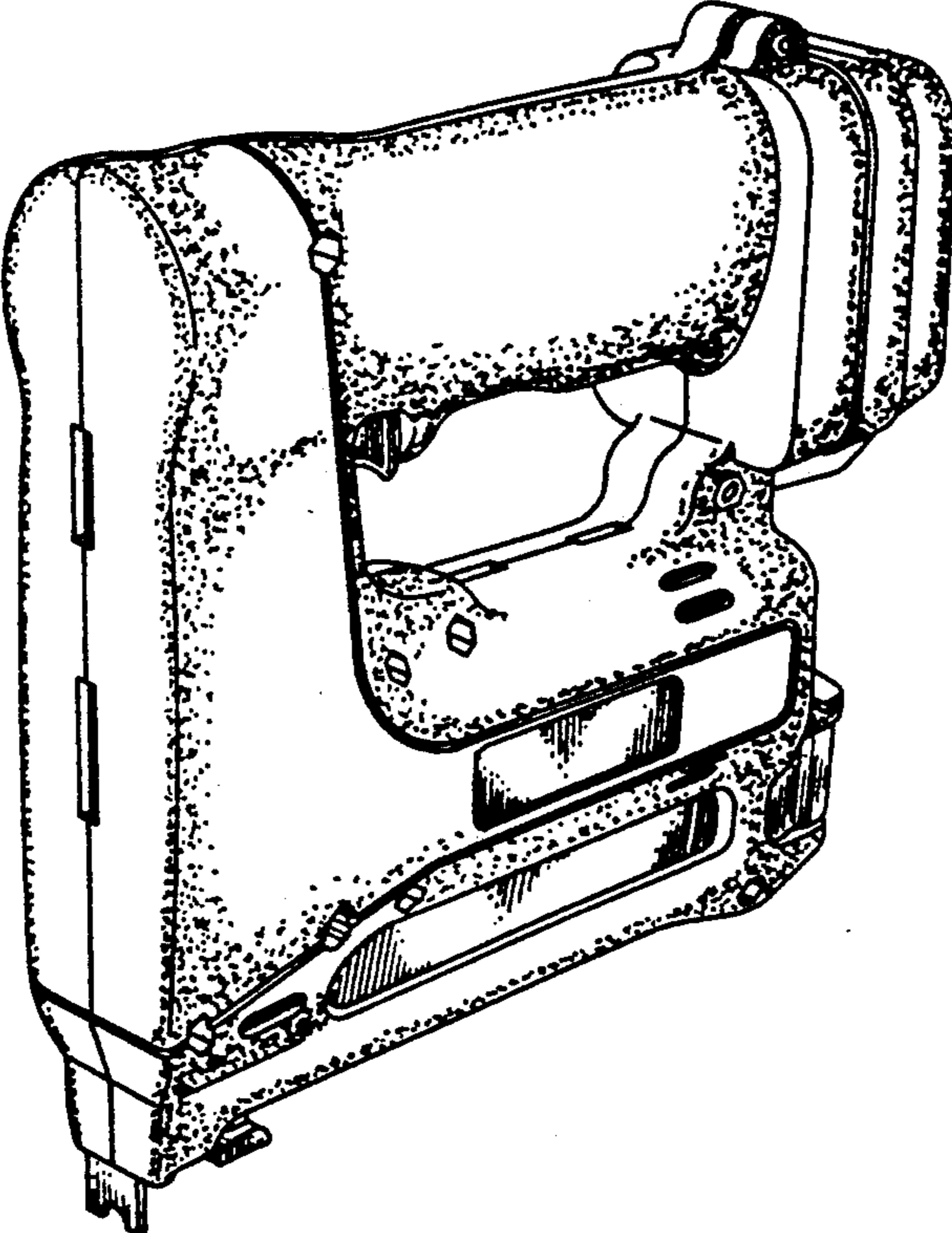


FIG. 2

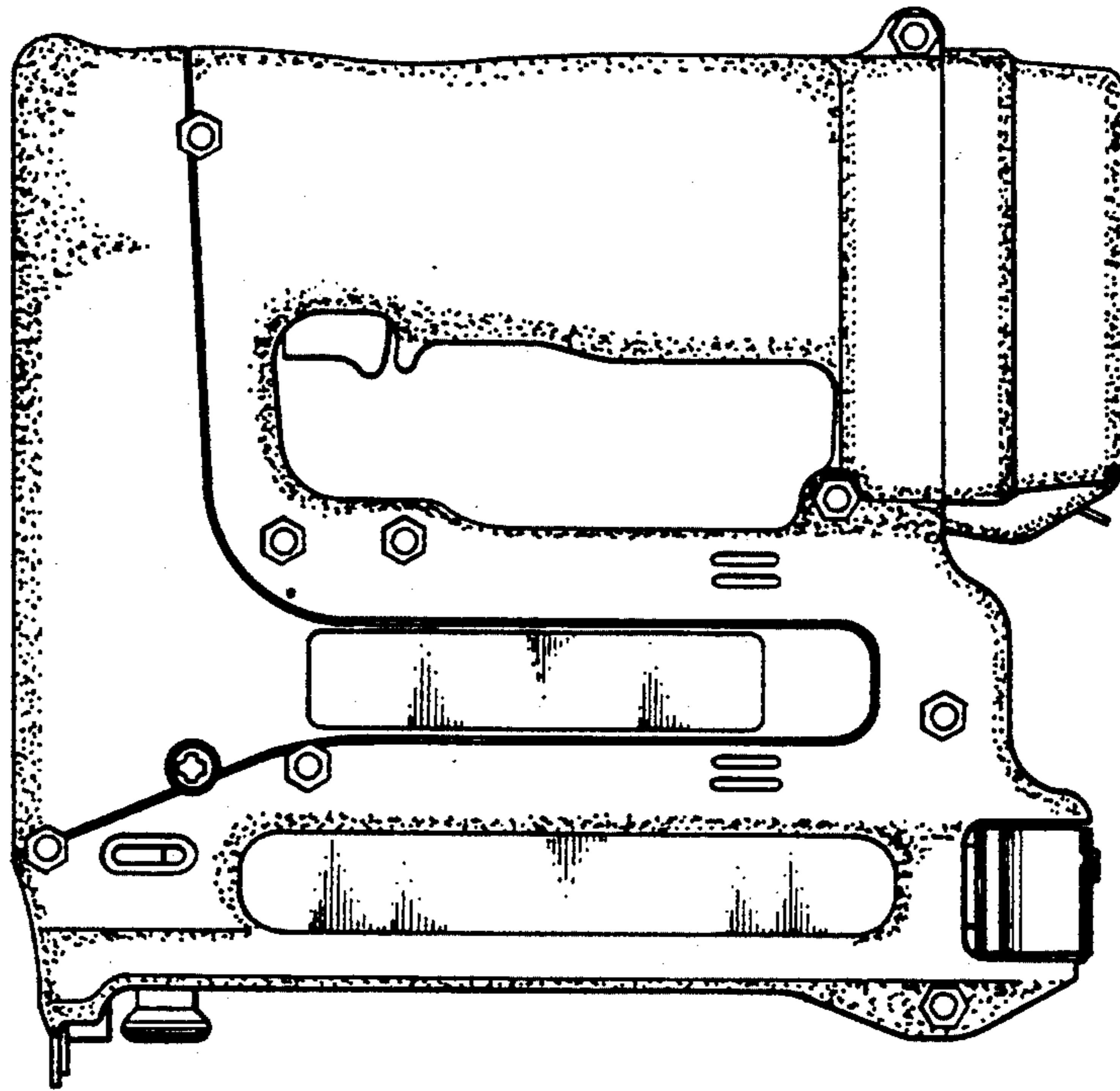


FIG. 3

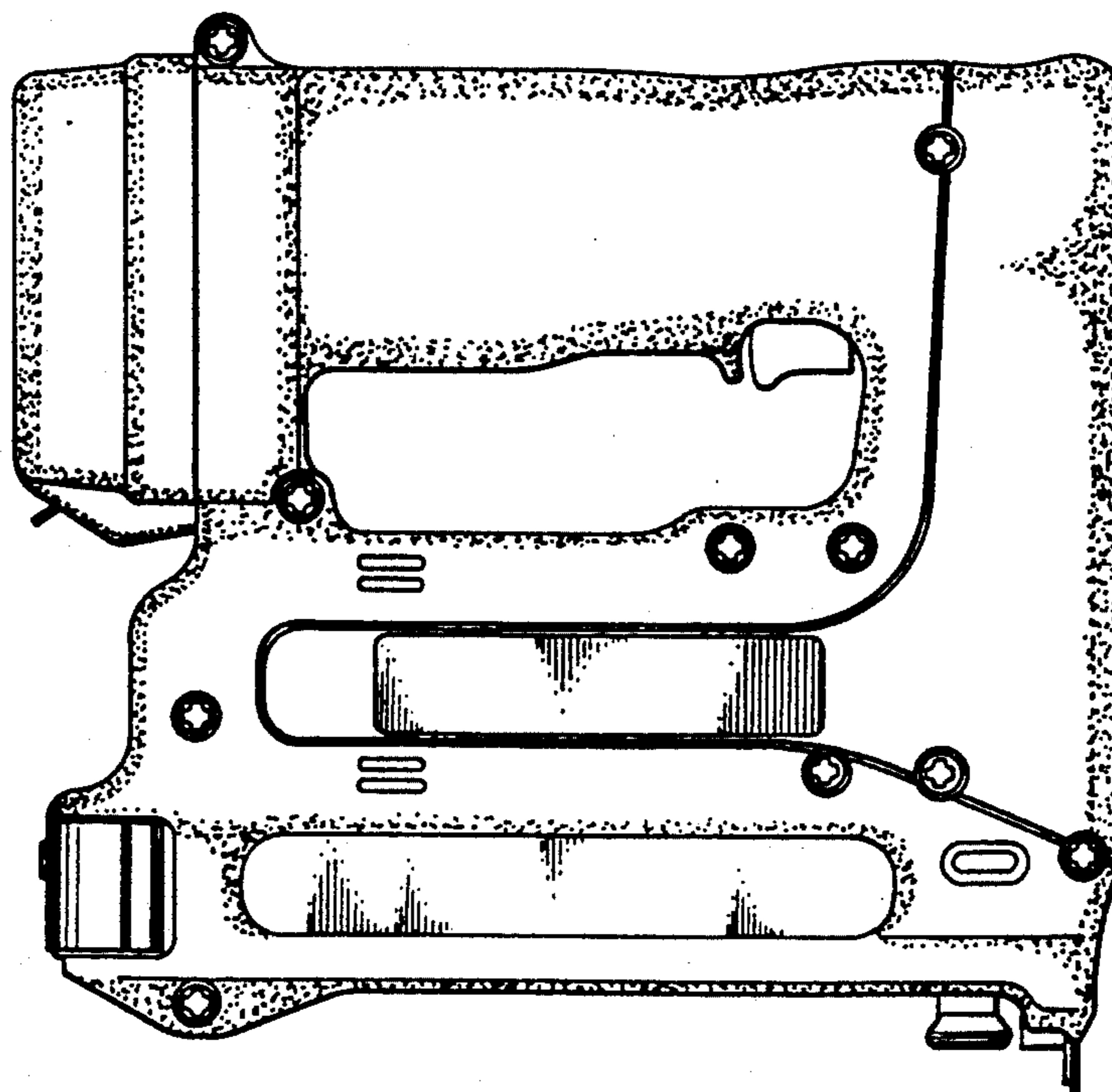


FIG. 4

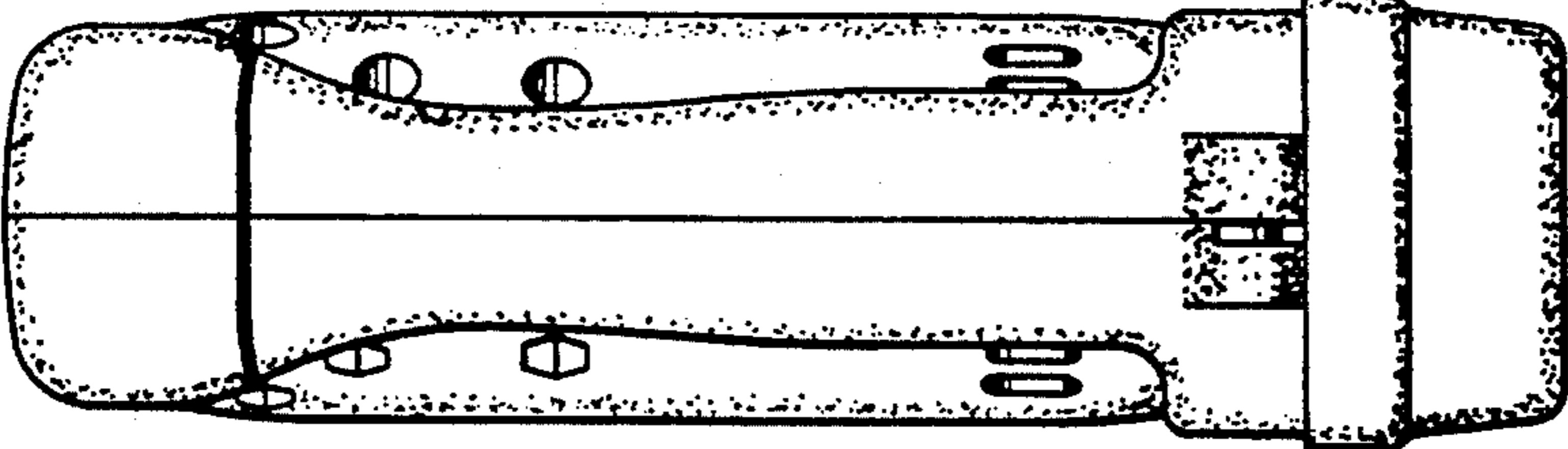


FIG. 5

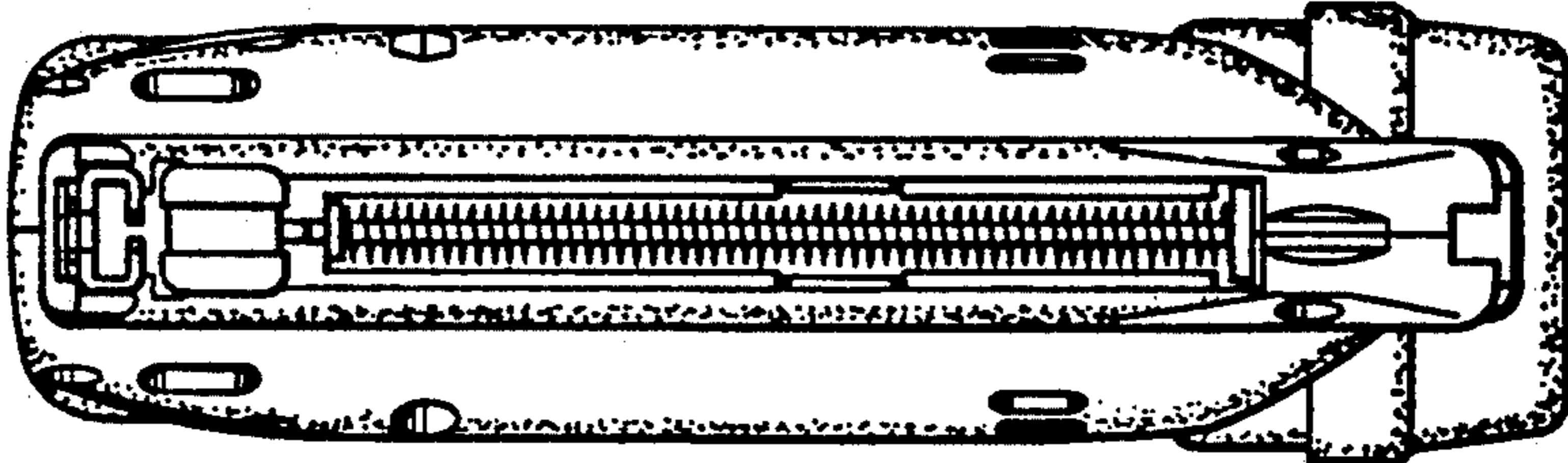


FIG. 6

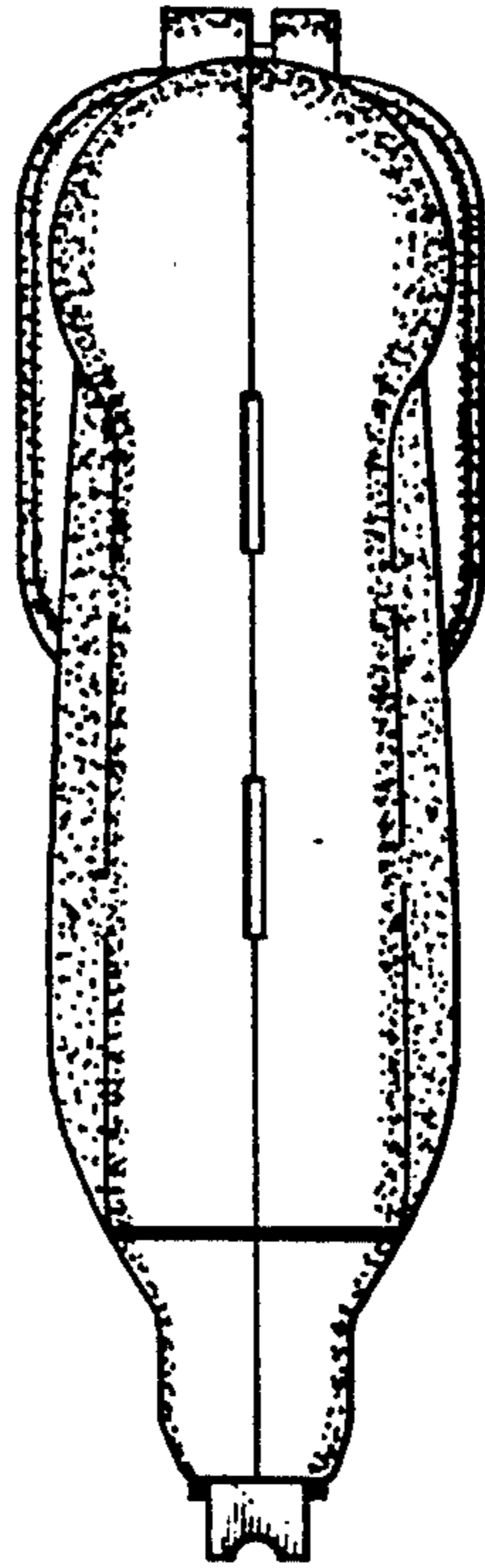


FIG. 7

