



US00D330831S

United States Patent [19]
Ng

[11] **Patent Number: Des. 330,831**

[45] **Date of Patent: ** Nov. 10, 1992**

[54] **BACON PRESS**

[75] **Inventor: Norman Ng, San Francisco, Calif.**

[73] **Assignee: Smart Kids, Inc. dba Taylor & Ng, Berkeley, Calif.**

[**] **Term: 14 Years**

[21] **Appl. No.: 606,355**

[22] **Filed: Oct. 31, 1990**

[52] **U.S. Cl. D7/672; D7/683**

[58] **Field of Search D7/669, 672, 682-684; 452/14i, 146**

[56] **References Cited**

PUBLICATIONS

HfD, Apr. 28, 1980, p. 37, Bacon Press.

Primary Examiner—Terry A. Pfeffer

Attorney, Agent, or Firm—Jones, Day, Reavis & Pogue

[57] **CLAIM**

The ornamental design for a bacon press, as shown.

DESCRIPTION

FIG. 1 is a perspective view of the bacon press showing my new design;

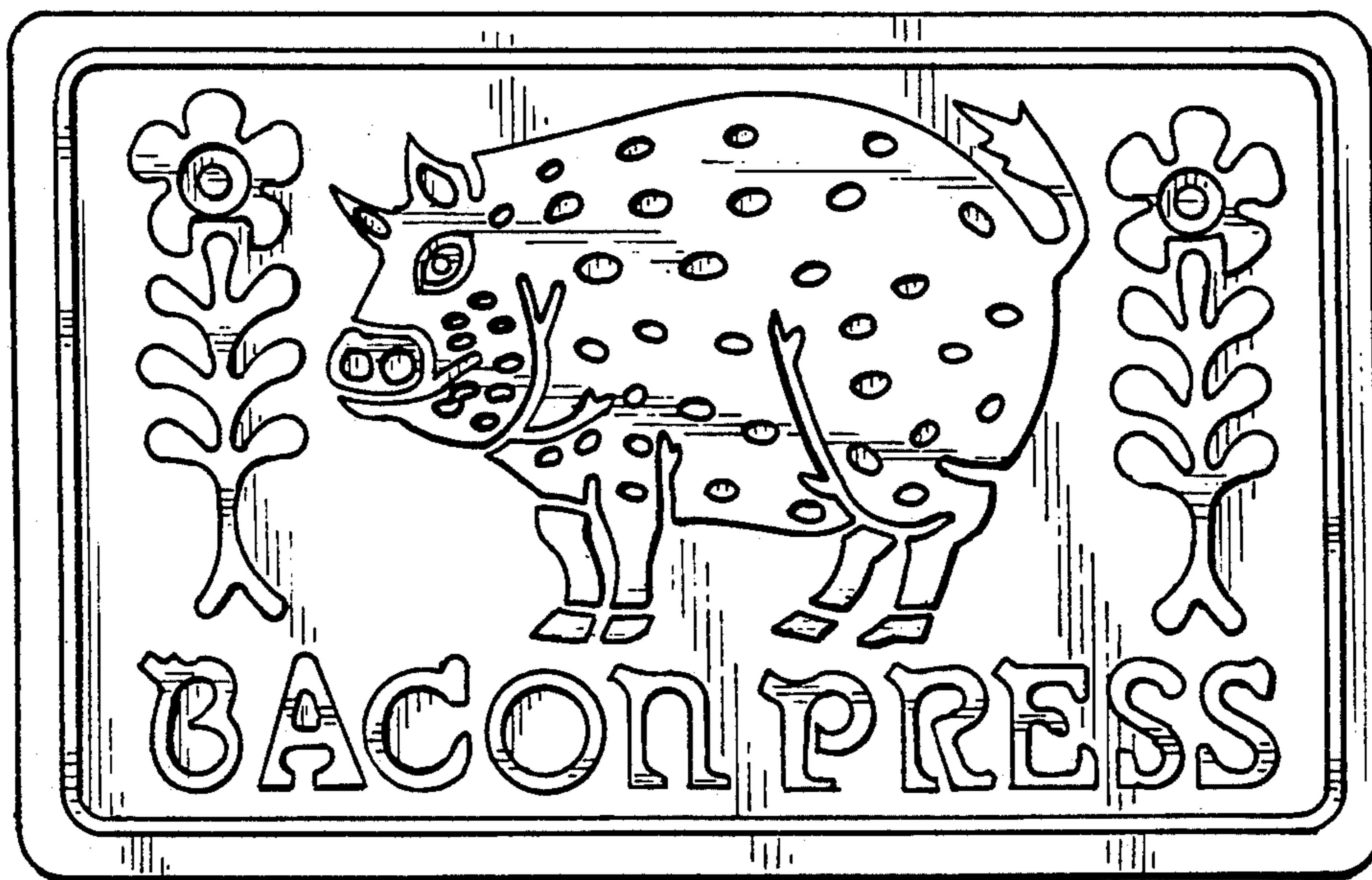
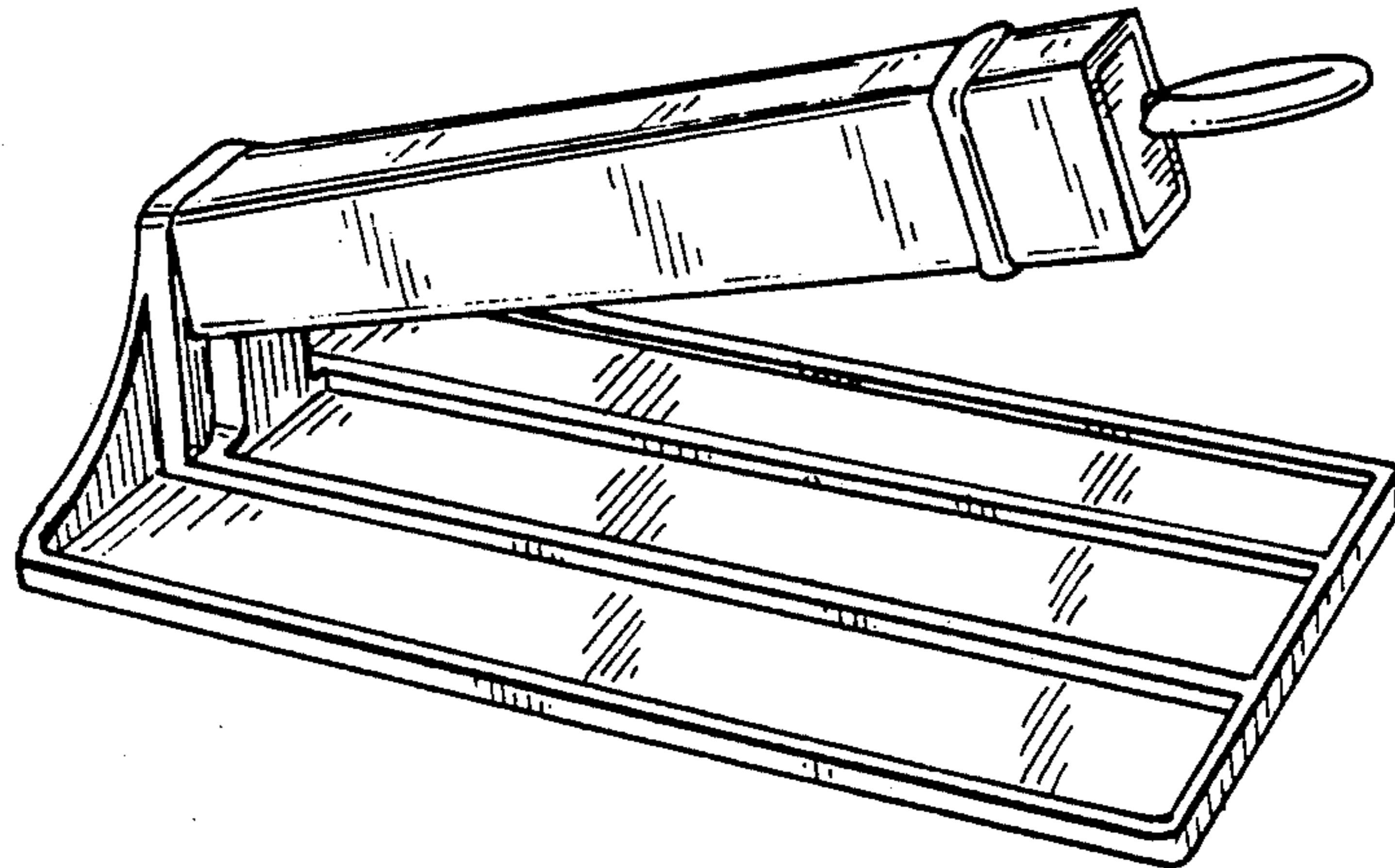
FIG. 2 is a bottom plan view thereof;

FIG. 3 is a left side elevational view thereof;

FIG. 4 is a rear elevational view thereof;

FIG. 5 is a front elevational view thereof; and,

FIG. 6 is a top plan view thereof.



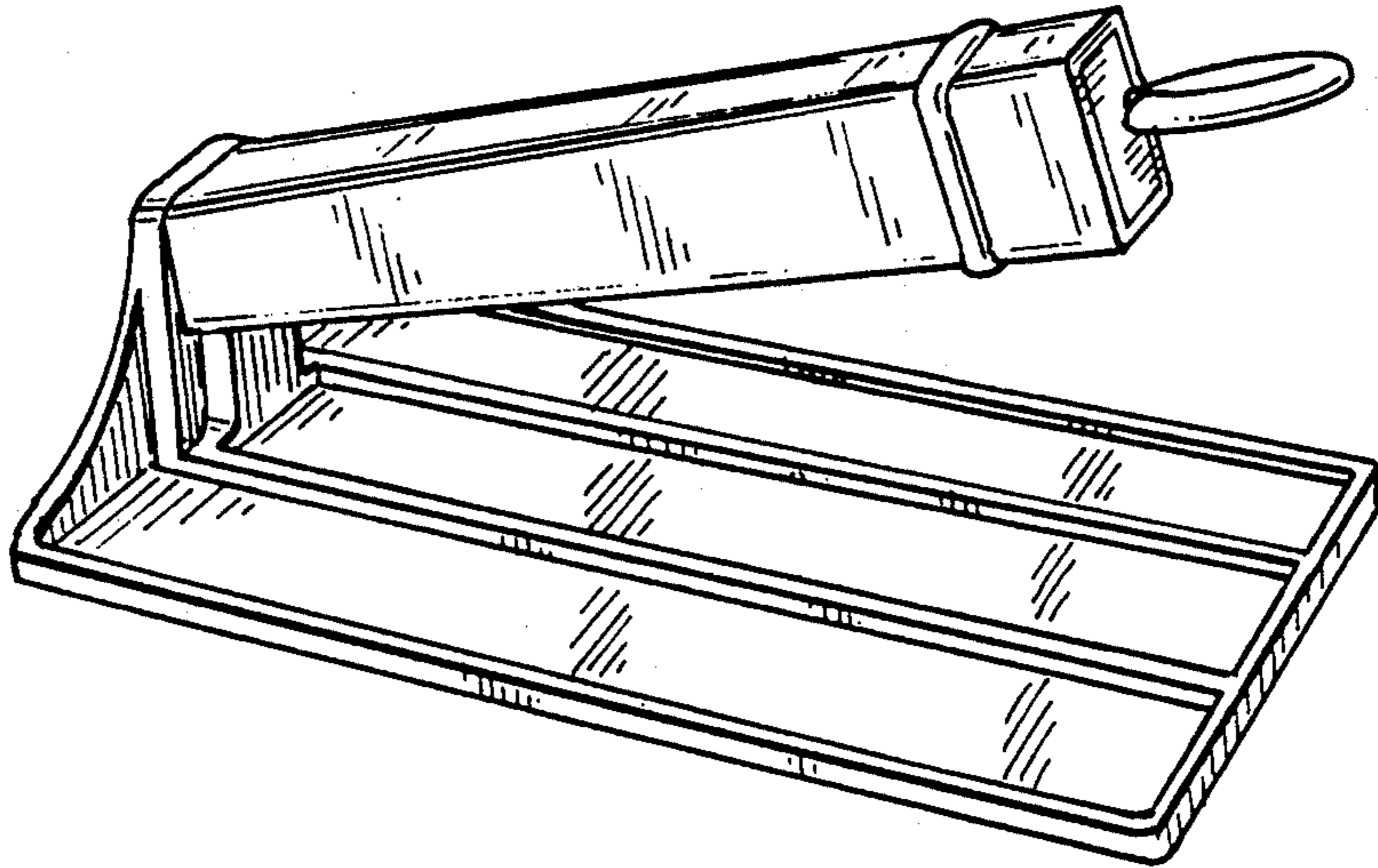


Fig. 1

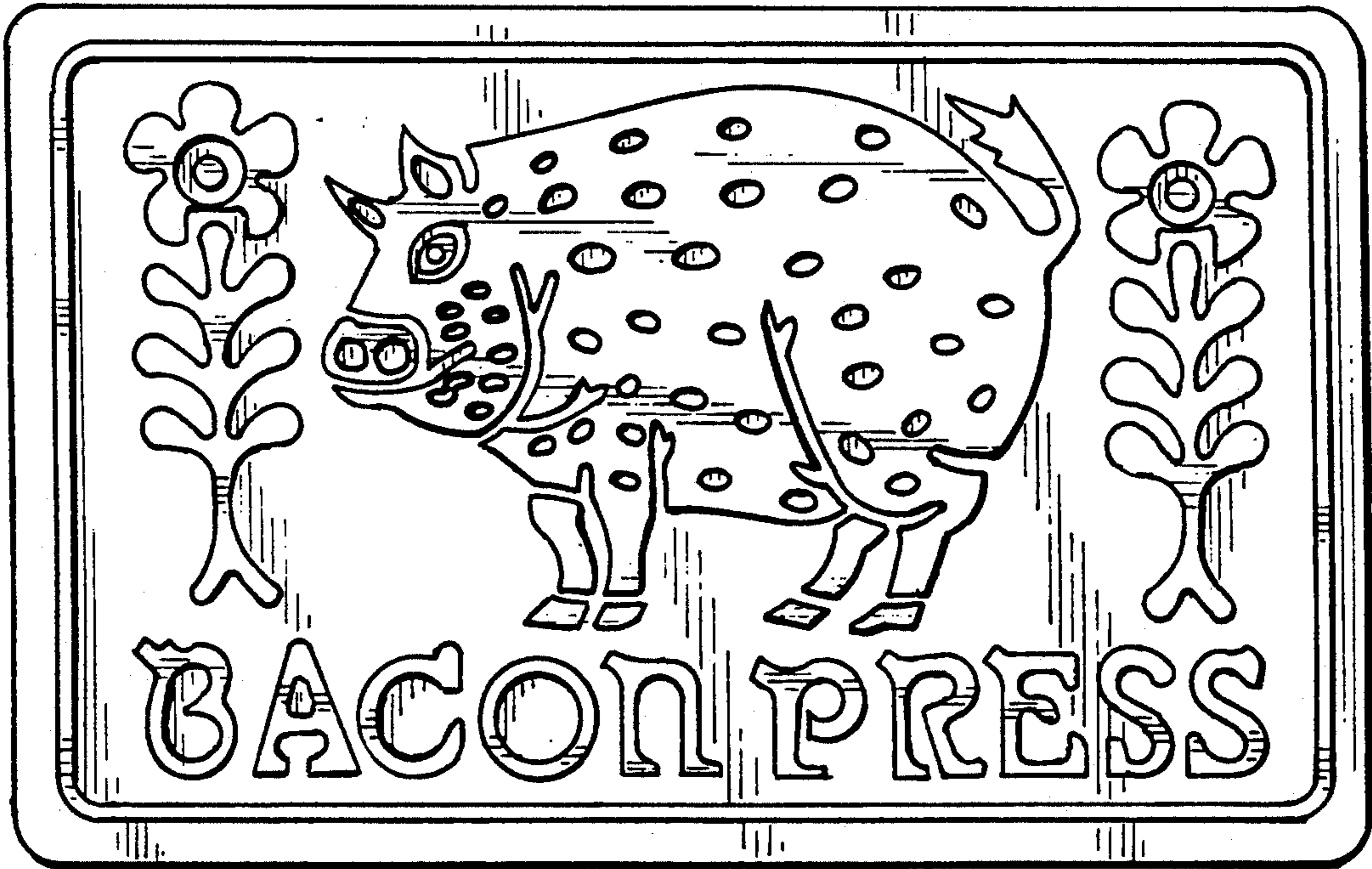


Fig. 2

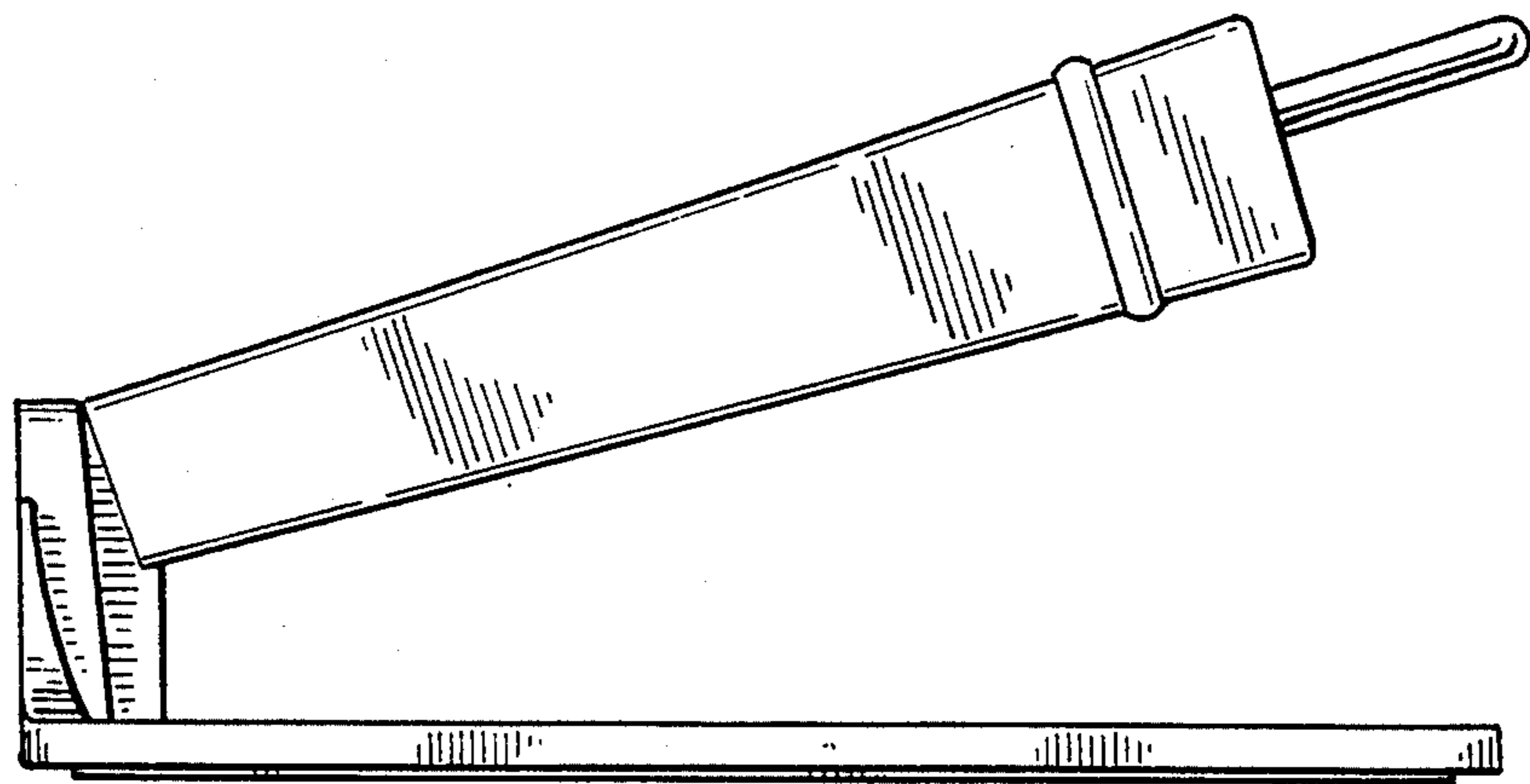


Fig. 3

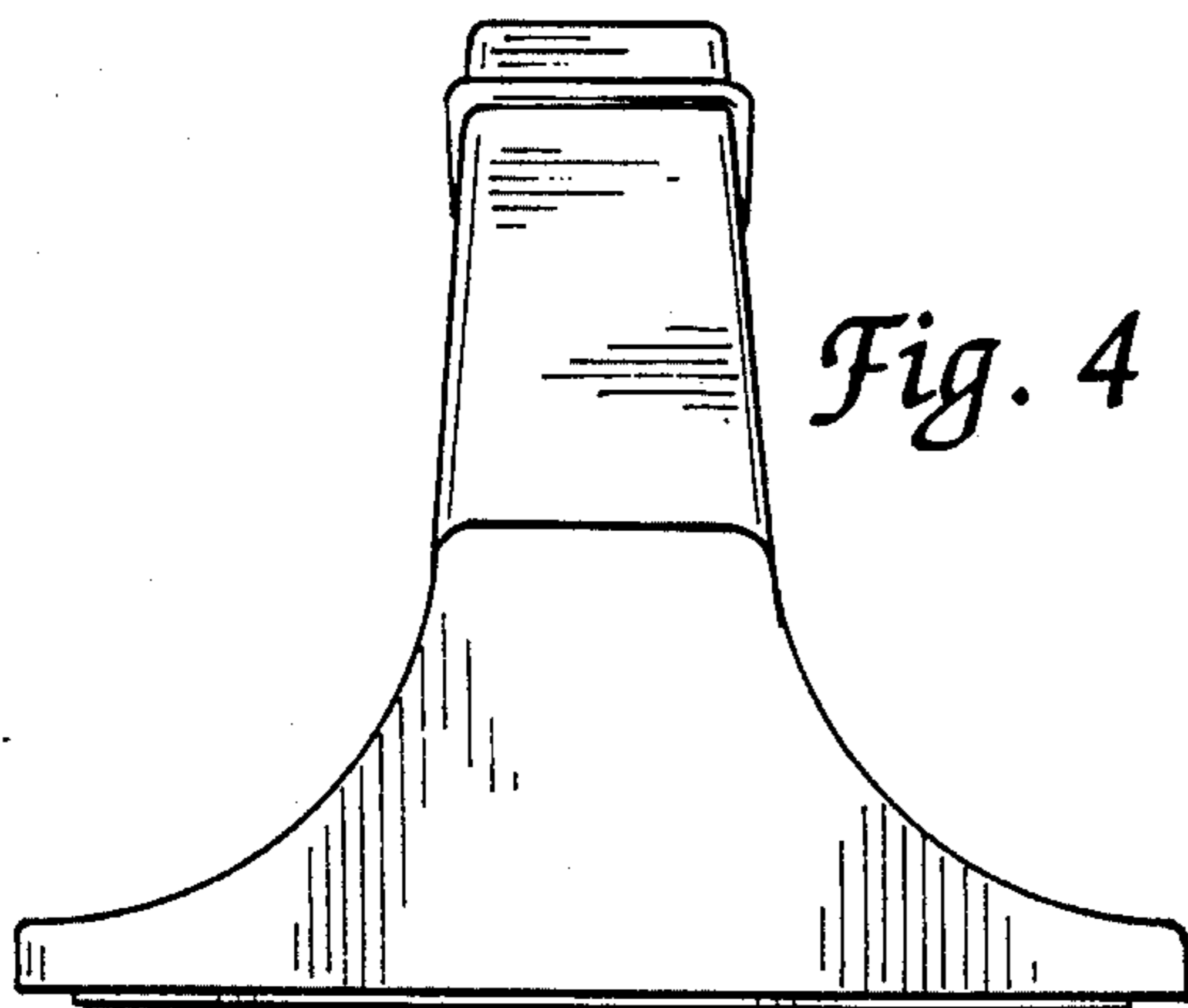


Fig. 4

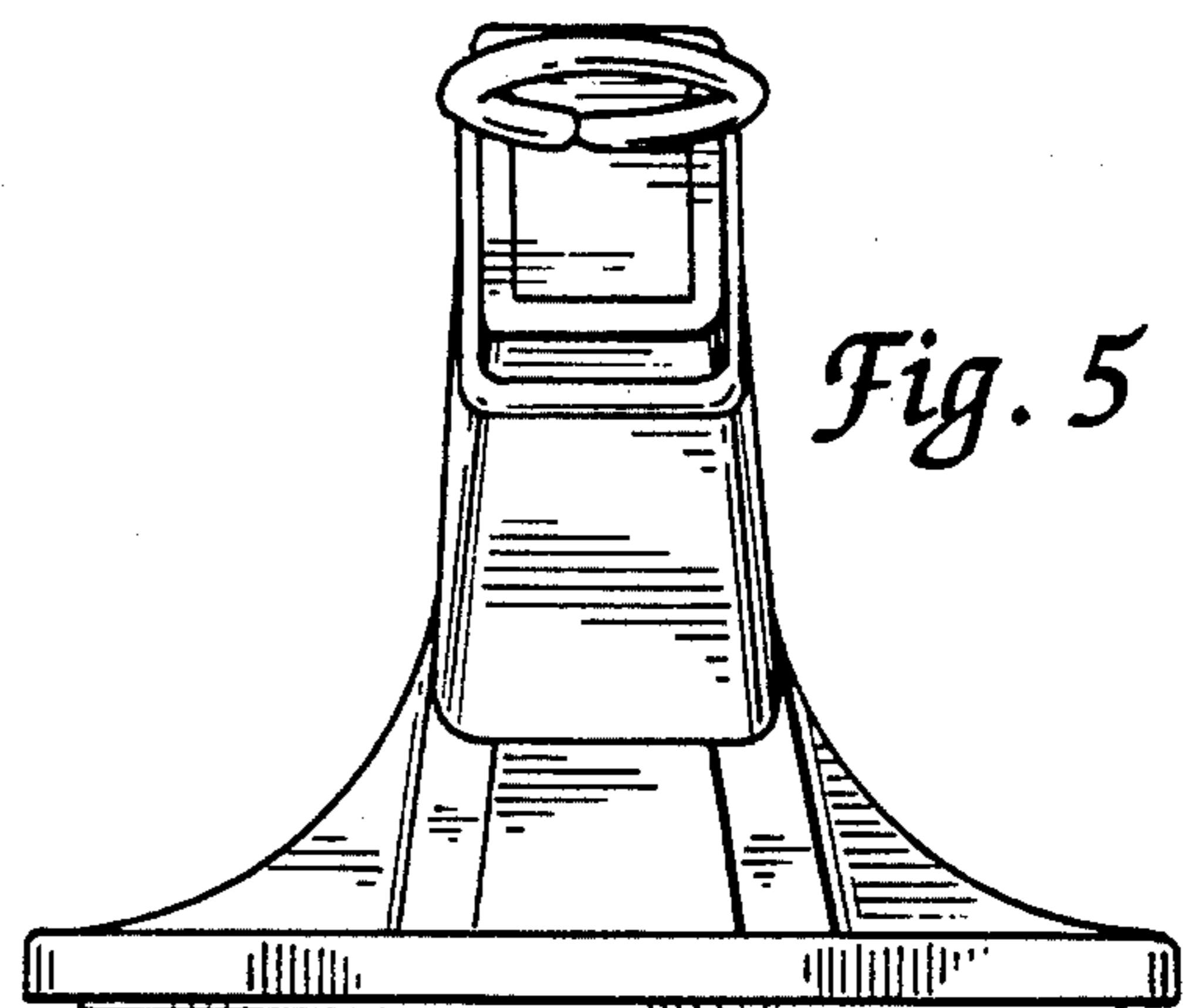


Fig. 5

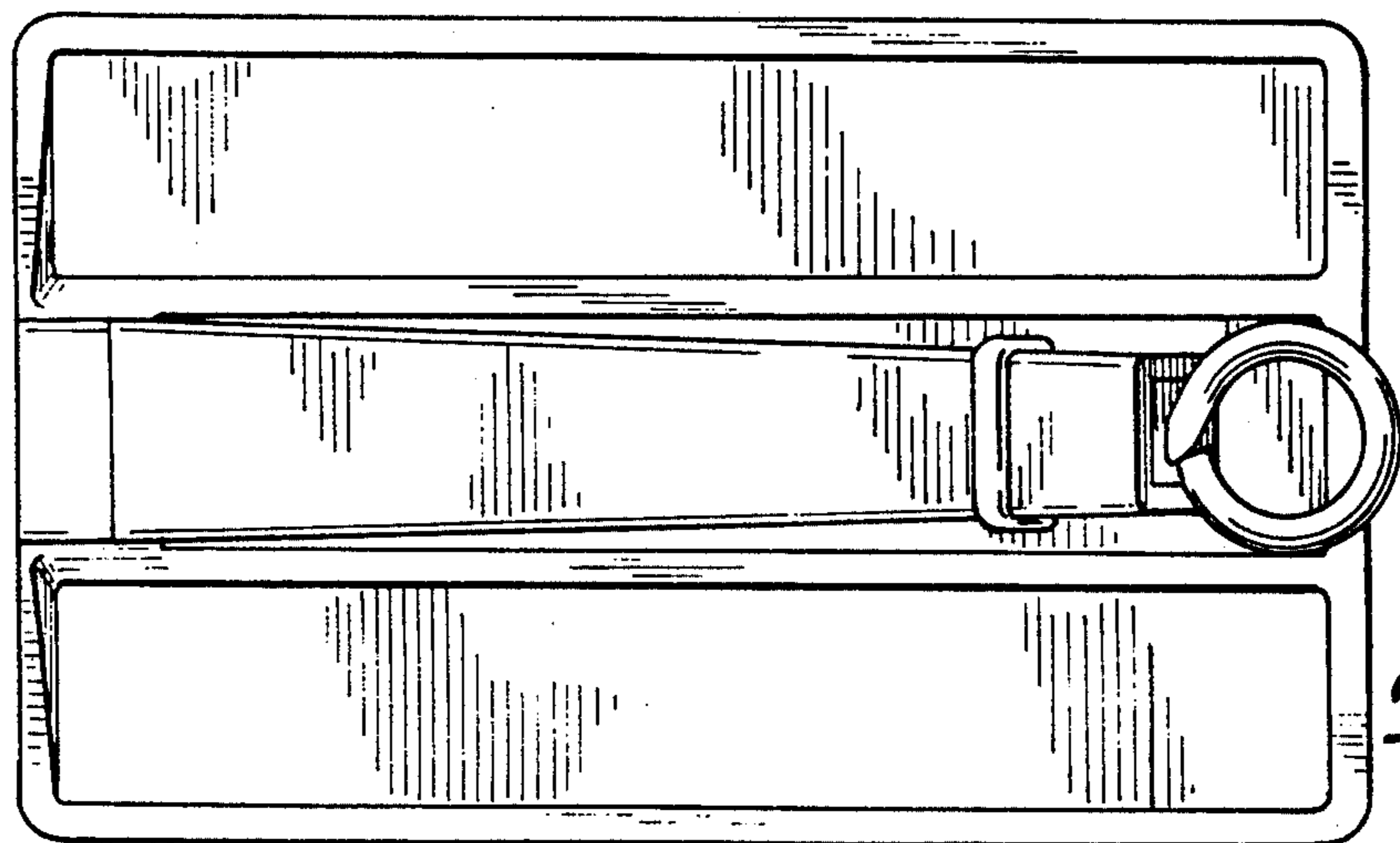


Fig. 6