



US00D330830S

United States Patent [19]

Baranyai et al.

[11] Patent Number: **Des. 330,830**

[45] Date of Patent: **** Nov. 10, 1992**

[54] **FOOD CONTAINER**

[76] Inventors: **Thomas J. Baranyai**, 1521 Third Ave., New York, N.Y. 10028; **Joseph Dahmen**, 1737 York Ave., New York, N.Y. 10128

[**] Term: **14 Years**

[21] Appl. No.: **595,009**

[22] Filed: **Oct. 10, 1990**

[52] U.S. Cl. **D7/629**

[58] Field of Search **D7/538, 540, 542, 612-615, D7/629; D9/414, 424; 220/306, 352, 356**

[56] **References Cited**

U.S. PATENT DOCUMENTS

D. 224,554 8/1972 Swett **D7/542 X**

D. 250,987 2/1979 Stahel **D7/629**
2,396,346 3/1946 Roody, Jr. **D7/614 X**

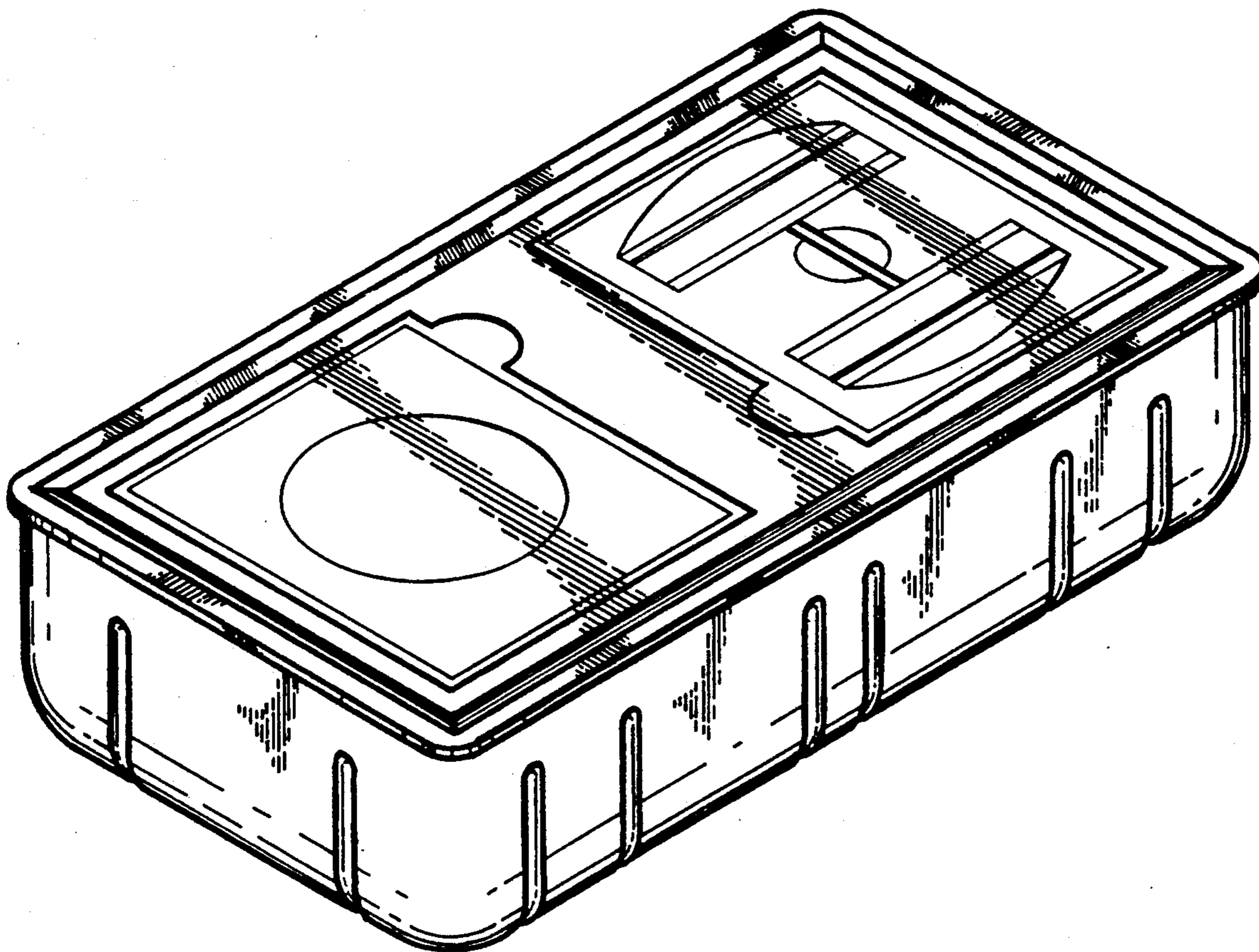
Primary Examiner—Terry A. Pfeffer
Attorney, Agent, or Firm—Terry M. Gernstein

[57] **CLAIM**

The ornamental design for a food container, as shown and described.

DESCRIPTION

FIG. 1 is a perspective view of the food container showing our new design;
FIG. 2 is a front elevational view thereof, the opposite side being identical;
FIG. 3 is a side elevational view thereof, the opposite side being identical;
FIG. 4 is a top plan view thereof; and,
FIG. 5 is a bottom plan view thereof.



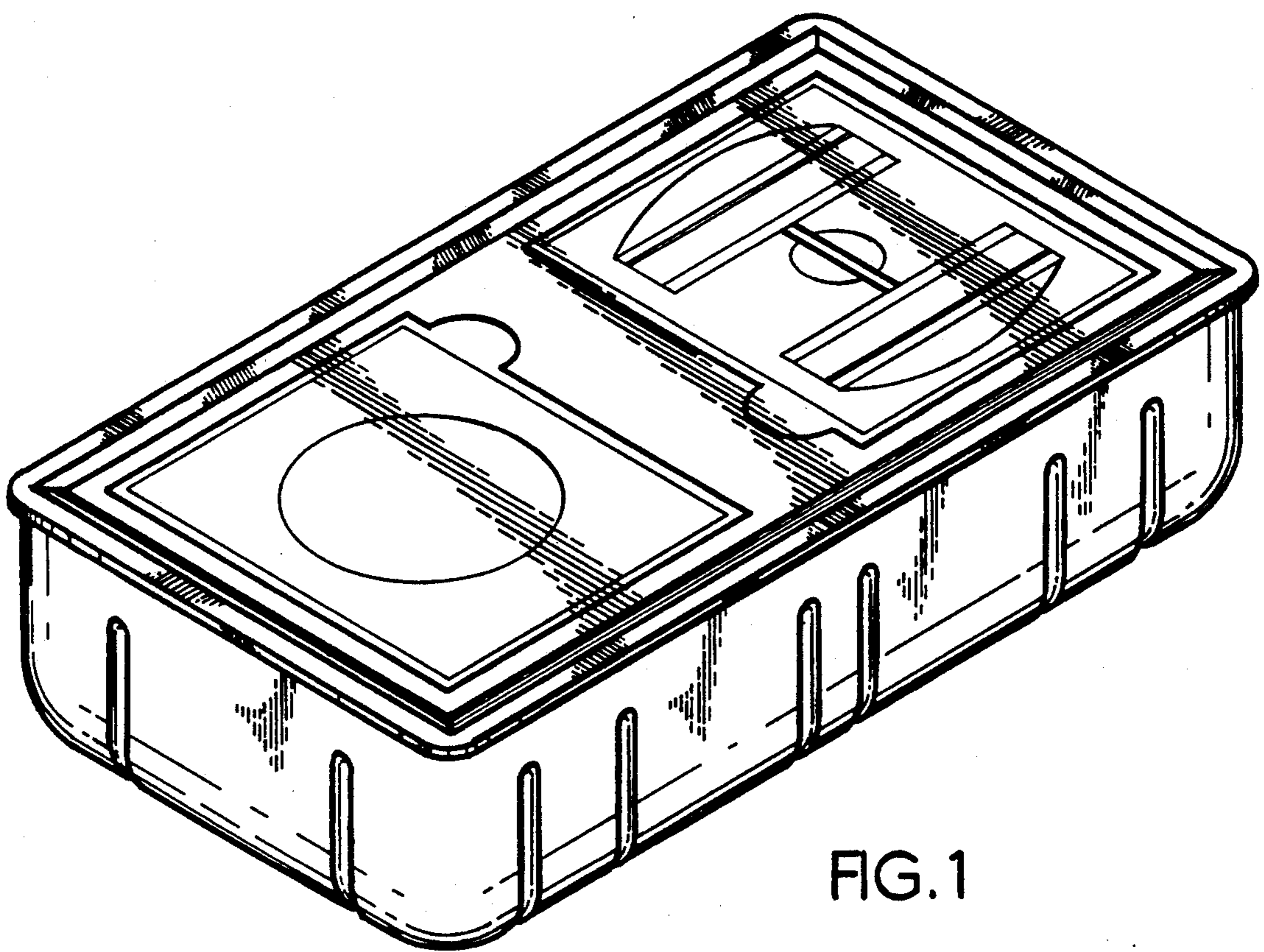


FIG. 1

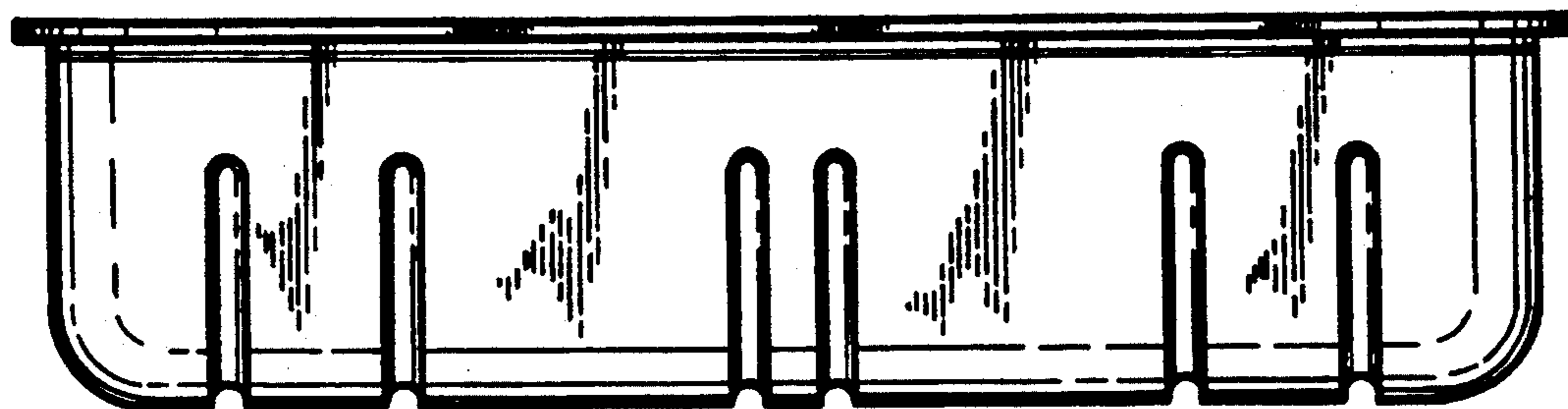


FIG. 2

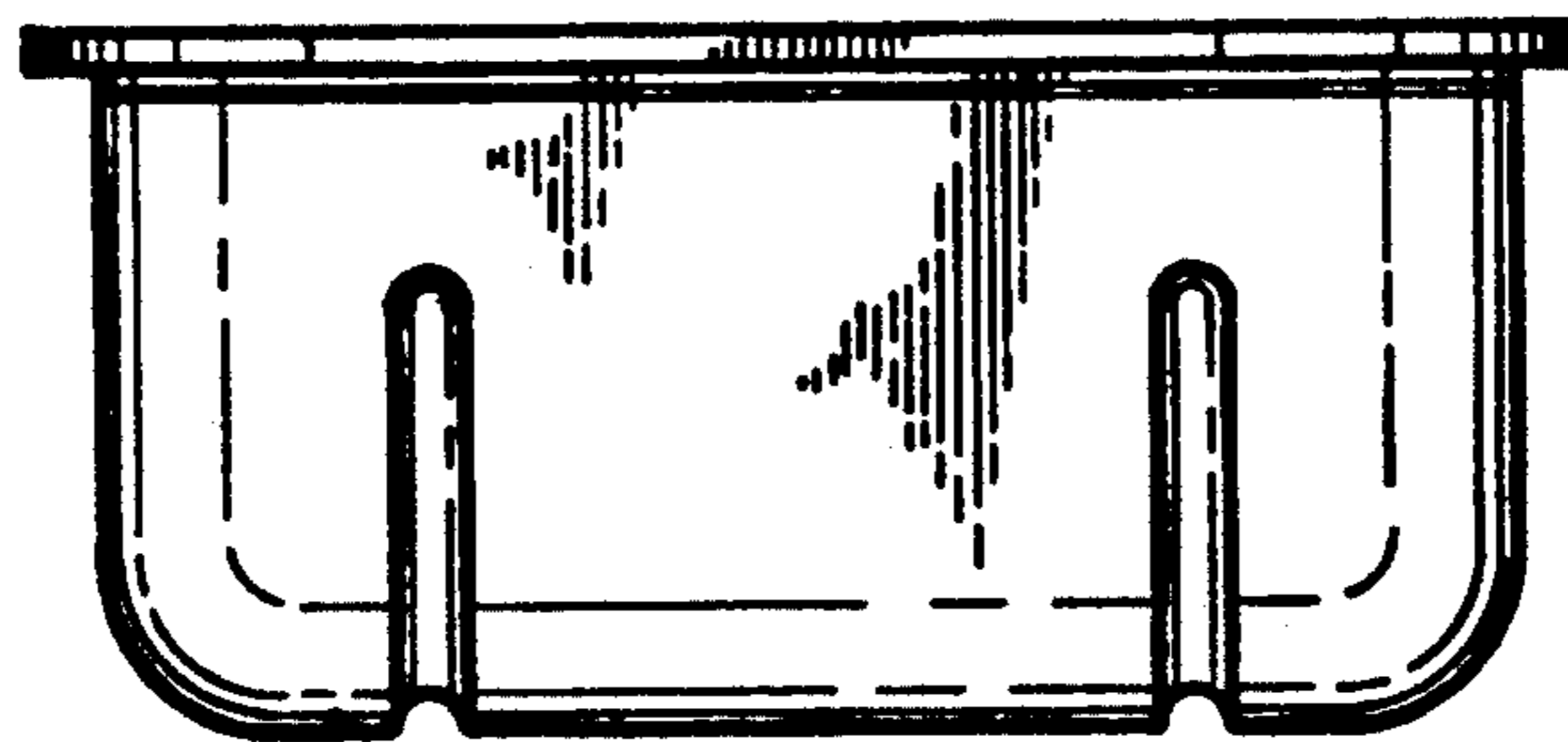


FIG. 3

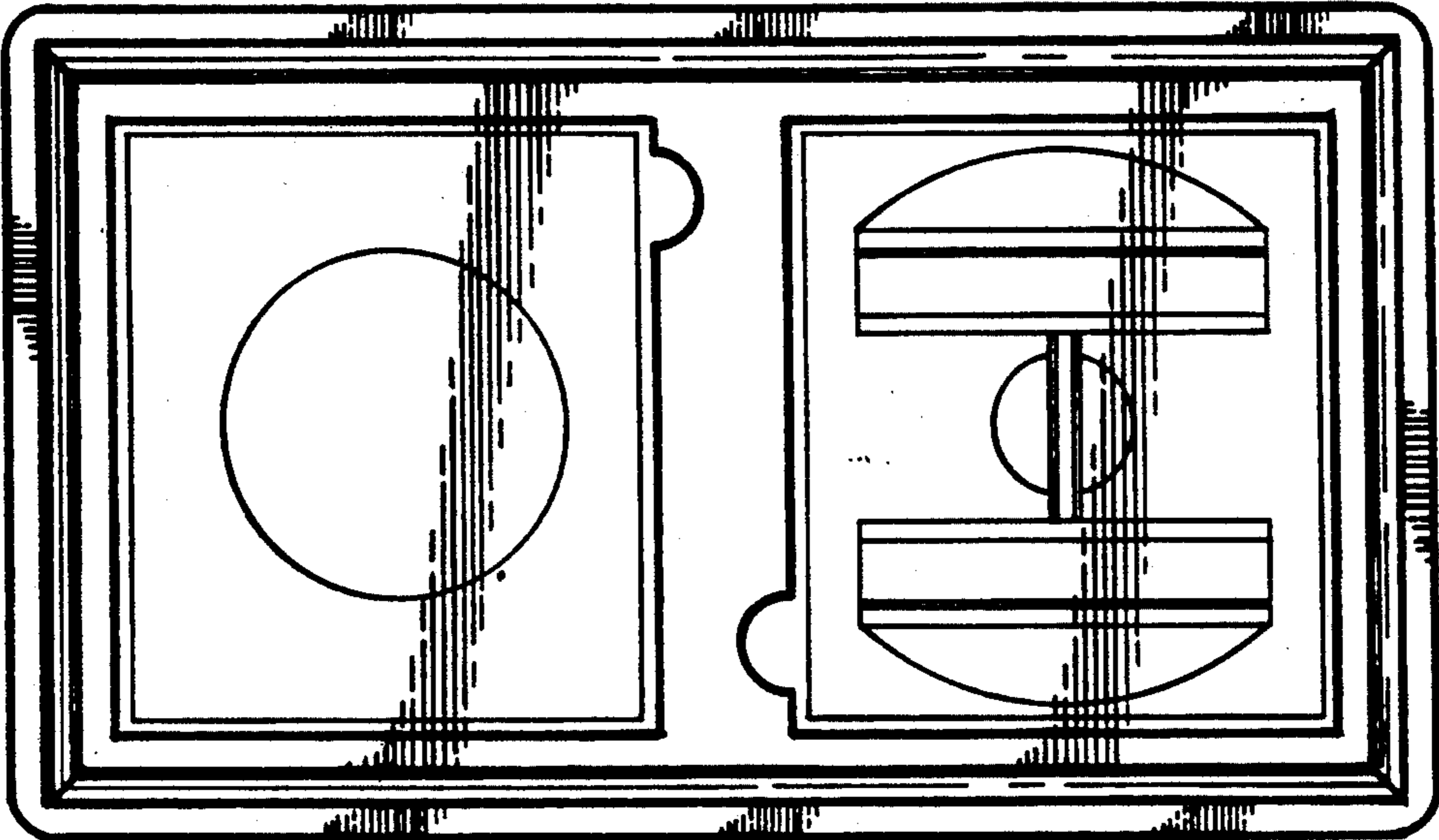


FIG. 4

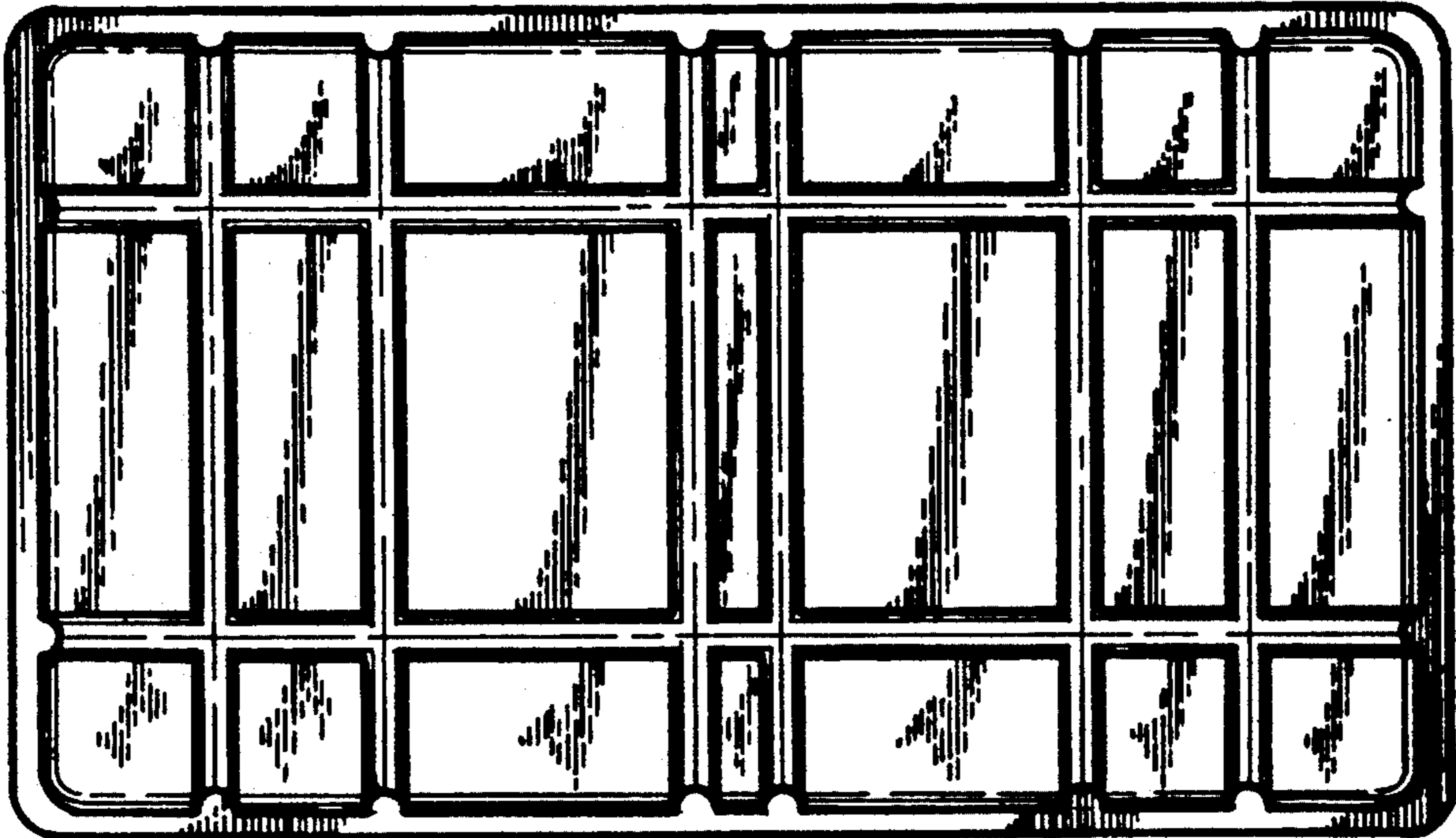


FIG. 5