



US00D330829S

United States Patent [19]

Marsten et al.

[11] Patent Number: **Des. 330,829**

[45] Date of Patent: **** Nov. 10, 1992**

[54] SAUCER

[75] Inventors: **Barbara S. Marsten**, New York;
Valentin Mandrajji-Lebadaru, Long
Island City, both of N.Y.

[73] Assignee: **Christian Dior, S.A.**, Paris, France

[*] Notice: The portion of the term of this patent
subsequent to Aug. 25, 2006 has been
disclaimed.

[**] Term: **14 Years**

[21] Appl. No.: **738,493**

[22] Filed: **Jul. 31, 1991**

Related U.S. Application Data

- [62] Division of Ser. No. 268,355, Nov. 7, 1988, abandoned.
- [52] U.S. Cl. **D7/585; D7/396.5**
- [58] Field of Search **D7/523, 505, 584, 500,**
D7/585, 552, 565, 396.4, 396.5, 588, 586, 570,
568

[56] References Cited

U.S. PATENT DOCUMENTS

D. 51,538	12/1917	Hebbard	D7/585
D. 65,114	7/1924	Giometti et al.	D7/585
D. 97,442	11/1935	Slobodkin	D7/585
D. 105,357	7/1937	Kupper	D7/585
D. 107,064	11/1937	Broomhall	D7/585
D. 126,370	4/1941	Prouty	D7/585
D. 237,340	10/1975	Murase	D7/500

OTHER PUBLICATIONS

Bloomington's Holidays Ahead, p. 17, Towle Silver-
plate/"Reeds and Ribbons", A-tray, D relish dish.
Carr China Company, Sep. 15, 1934 cat., p. 46, top left
saucer & plate, item "L-112".

Pavillon Christofle-Creations Exclusives-cover page,
(undated), saucer & plate/right of candlestick and bot-
tom of page.

OMPI TM Registration No. 468470-Dior-Apr. 1982.
Christofle -p. 4-Clery bread plate and underplate with
ribs on border, top right and bottom, undated.

Primary Examiner—Nelson C. Holtje
Assistant Examiner—Caron D. Veynar
Attorney, Agent, or Firm—Amster, Rothstein &
Ebenstein

[57] CLAIM

The ornamental design for a saucer, as shown and de-
scribed.

DESCRIPTION

FIG. 1 is a top plan view of a saucer showing our new
design, it being understood that the pattern disclosed is
continuous about the entire periphery in the path in-
cluded within the broken lines;

FIG. 2 is an enlarged partial sectional view thereof
taken along the line 2—2 of FIG. 1 and looking in the
direction of the arrows;

FIG. 3 is an enlarged partial detailed top plan view
thereof; and,

FIG. 4 is a front elevational view thereof.

The rear and side elevational views of the saucer are
identical to the front elevational view of FIG. 4. The
shape of the interior surface and foot of the saucer is of
conventional configuration.

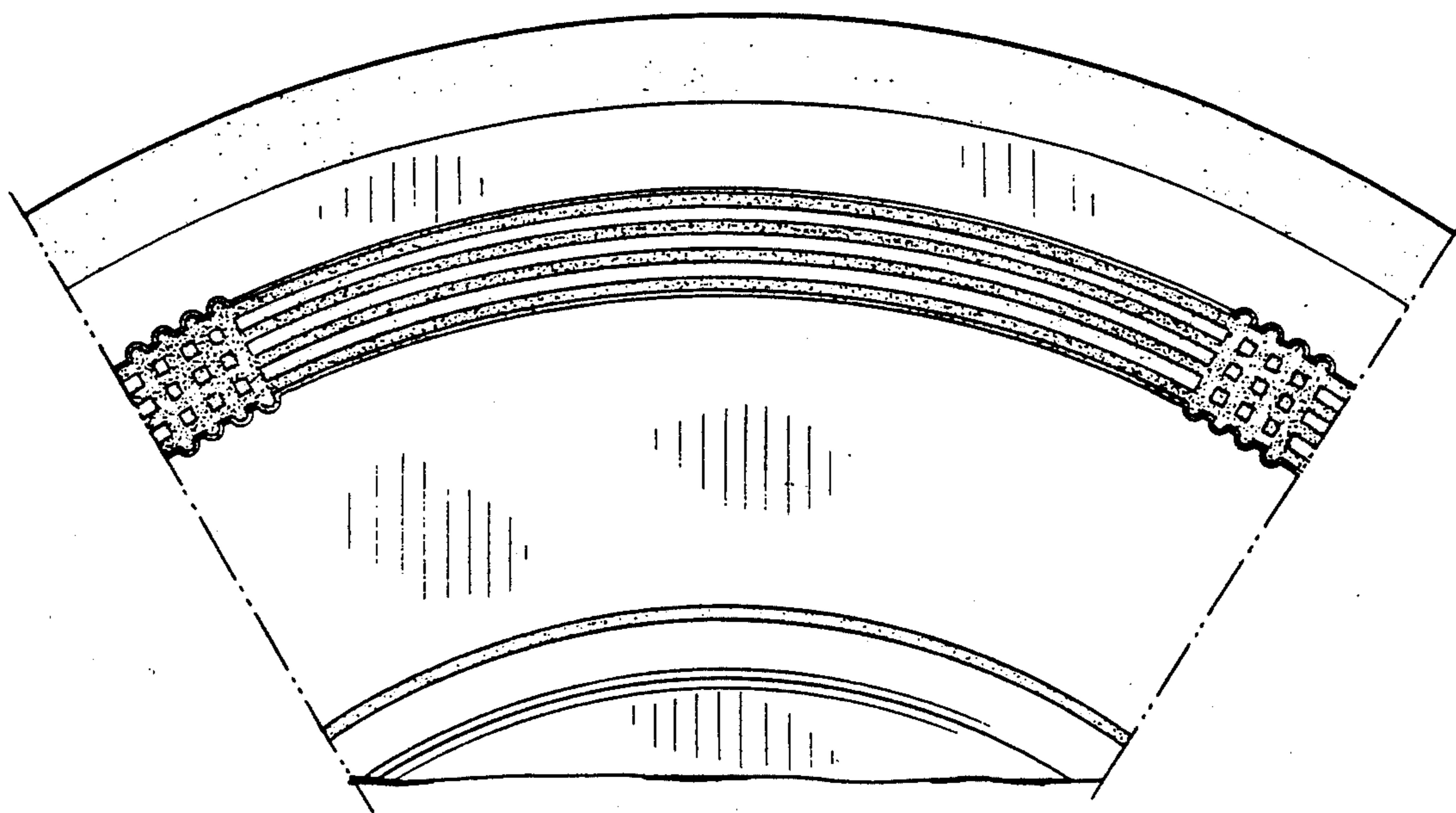


Fig. 1

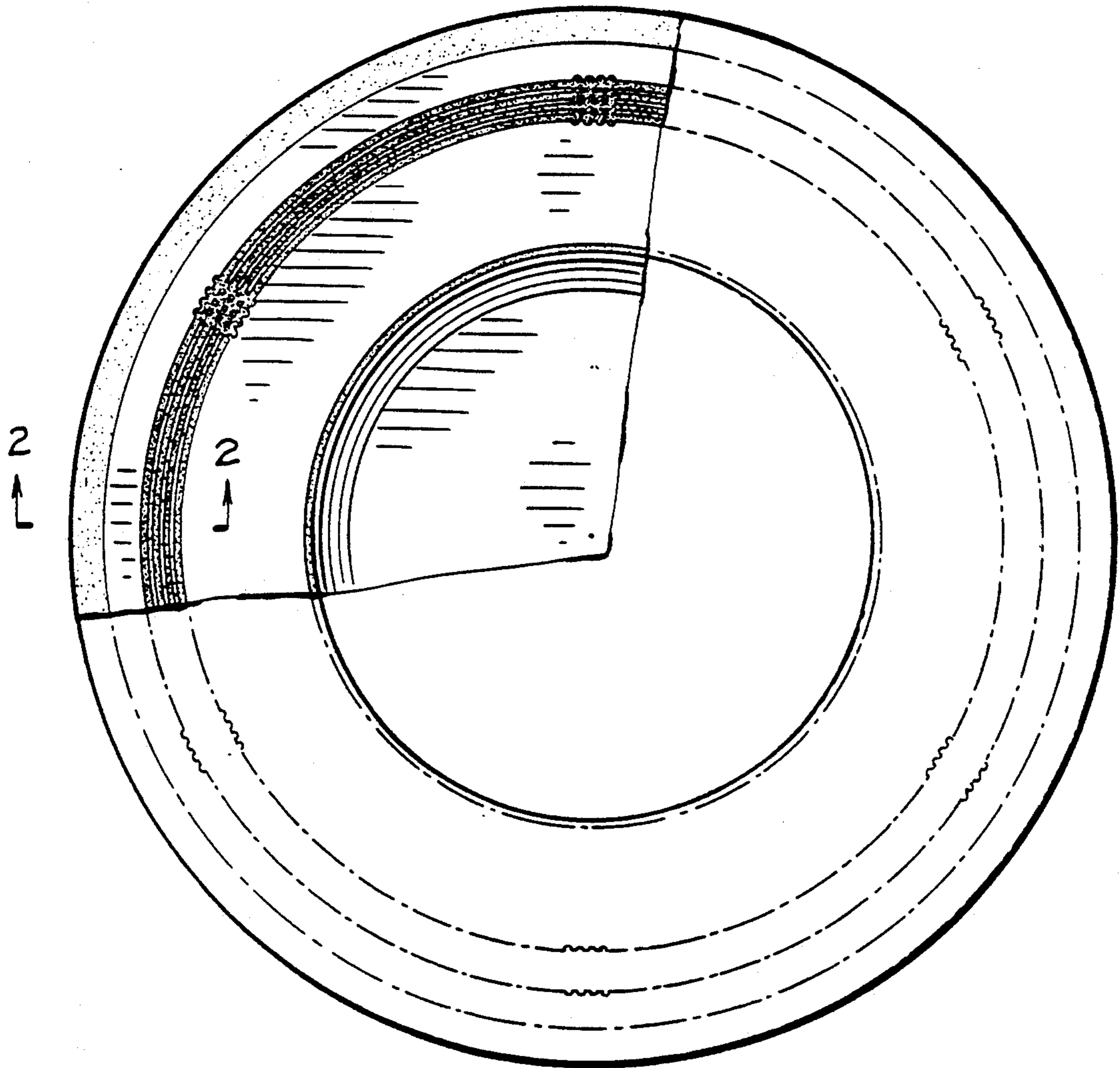
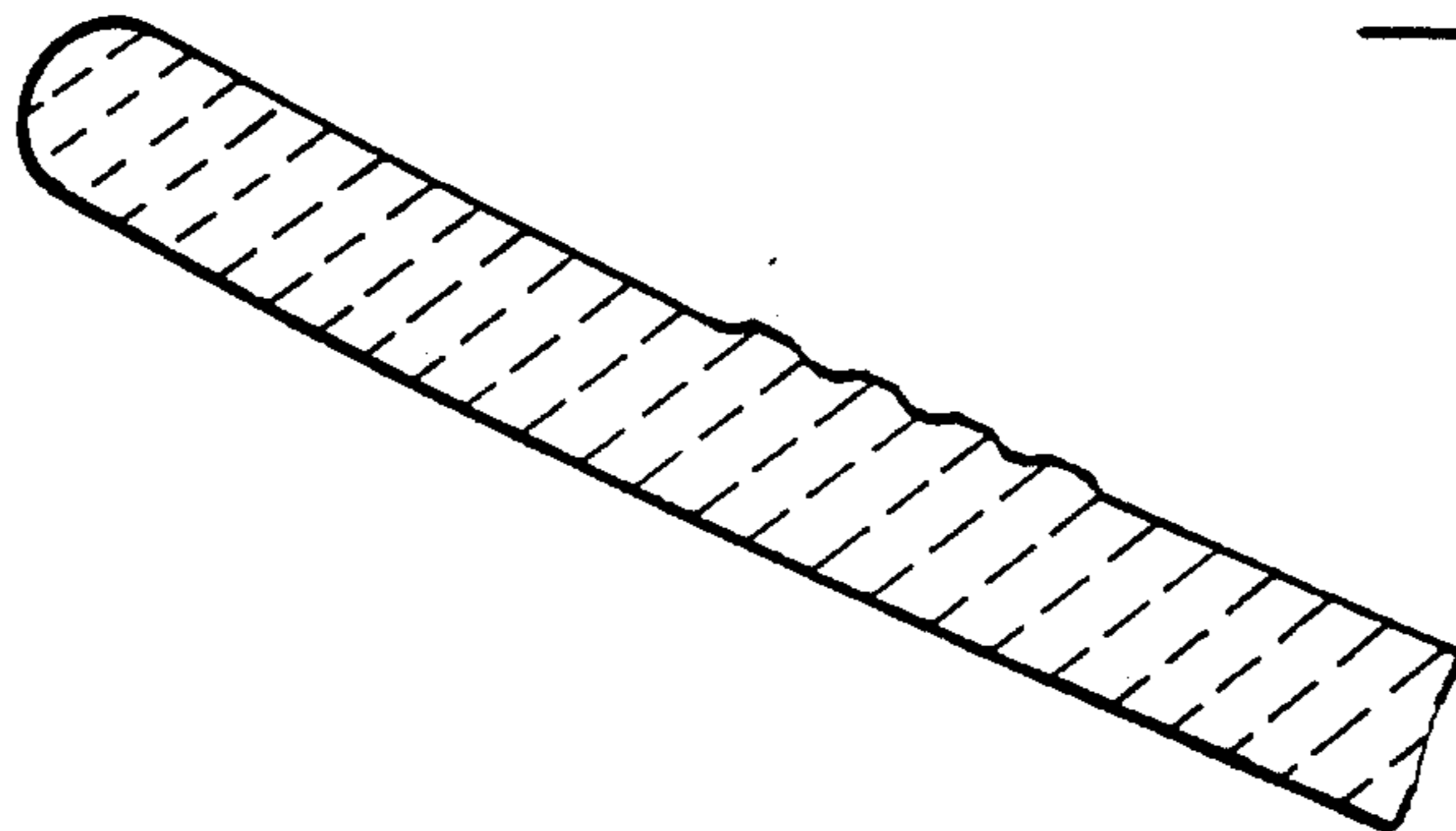


Fig. 2



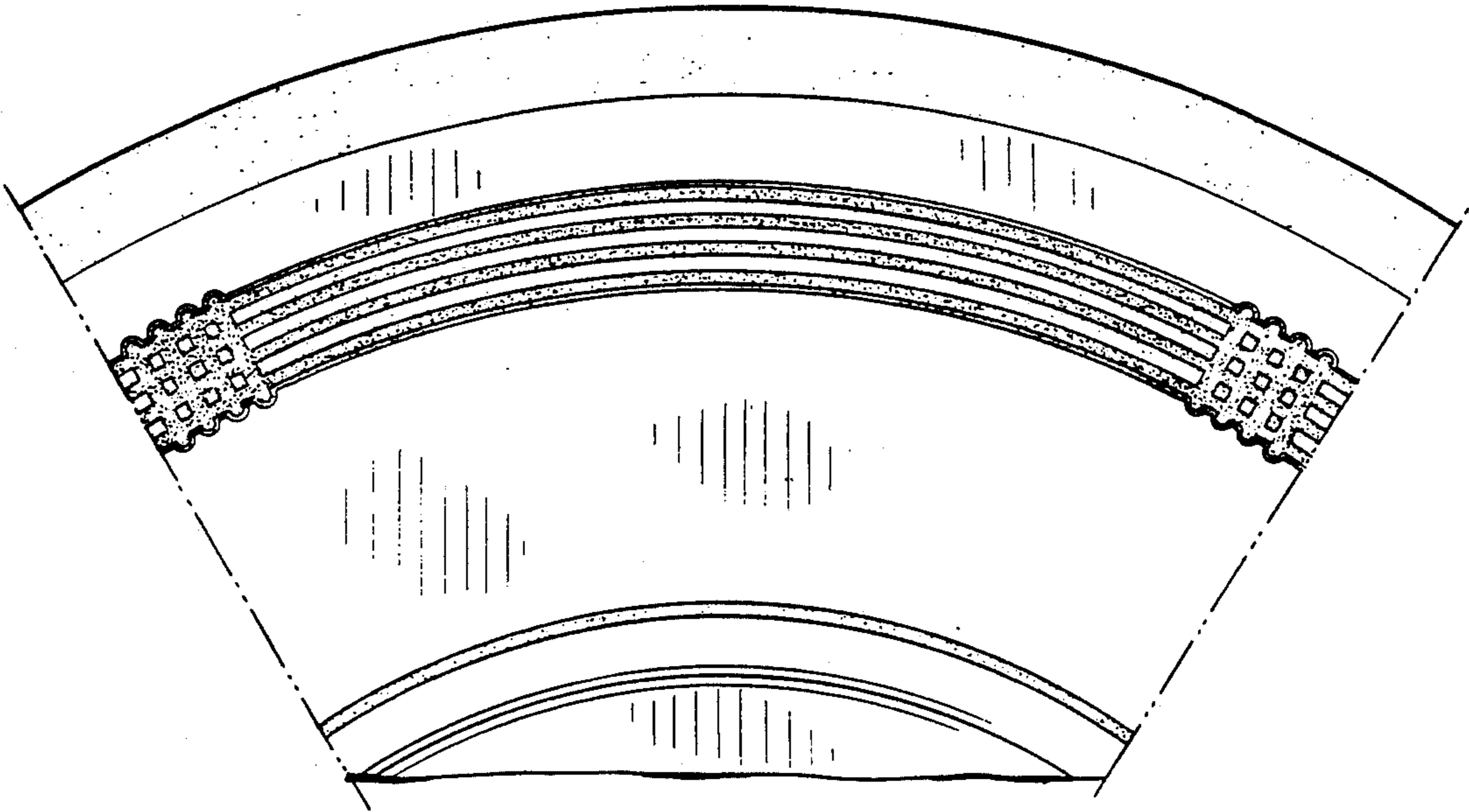


Fig. 3

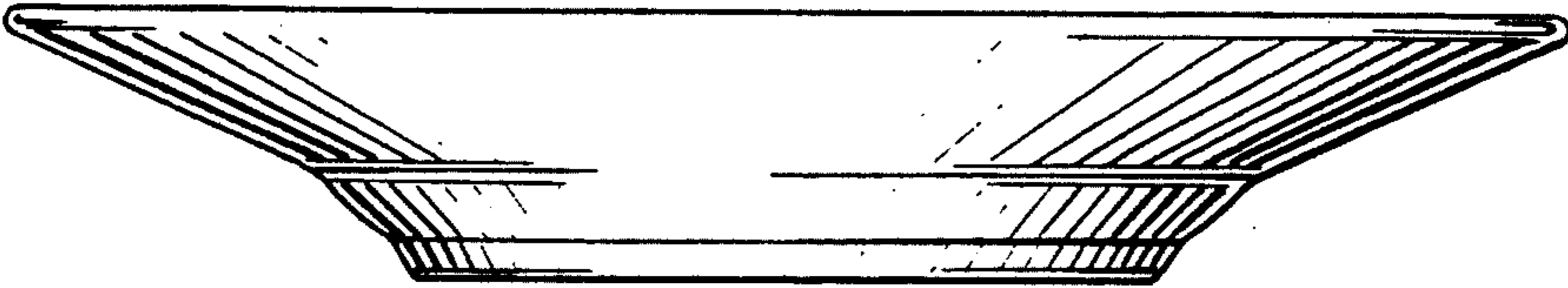


Fig. 4