



US00D330820S

United States Patent [19]

[11] Patent Number: **Des. 330,820**

Pauer et al.

[45] Date of Patent: **** Nov. 10, 1992**

[54] TABLE

[75] Inventors: **Jericho P. Pauer, Onalaska, Wis.;
Randy Peterson, Winona, Minn.**

[73] Assignee: **Ashley Furniture Industries, Inc.,
Arcadia, Wis.**

[**] Term: **14 Years**

[21] Appl. No.: **503,620**

[22] Filed: **Apr. 3, 1990**

[52] U.S. Cl. **D6/480; D6/483**

[58] Field of Search **D6/480, 482-489,
D6/495-497, 429, 430, 450-453**

[56] **References Cited**

U.S. PATENT DOCUMENTS

D. 249,213	9/1978	Ungaro	D6/452
D. 252,433	7/1979	Beall, Jr.	D6/480 X
D. 252,547	8/1979	Ungaro	D6/480 X
D. 258,708	3/1981	Smith, Jr.	D6/480 X
D. 258,855	4/1981	Smith, Jr.	D6/480 X
D. 260,954	9/1981	Long	D6/480
D. 263,266	3/1982	Brown	D6/483

OTHER PUBLICATIONS

"A Home Planning Guide to Early American W/Ethan Allen", Sep. 19, 1960, back inside in Early Amer. No. 1530 Cocktail Table.

Primary Examiner—Nelson C. Holtje

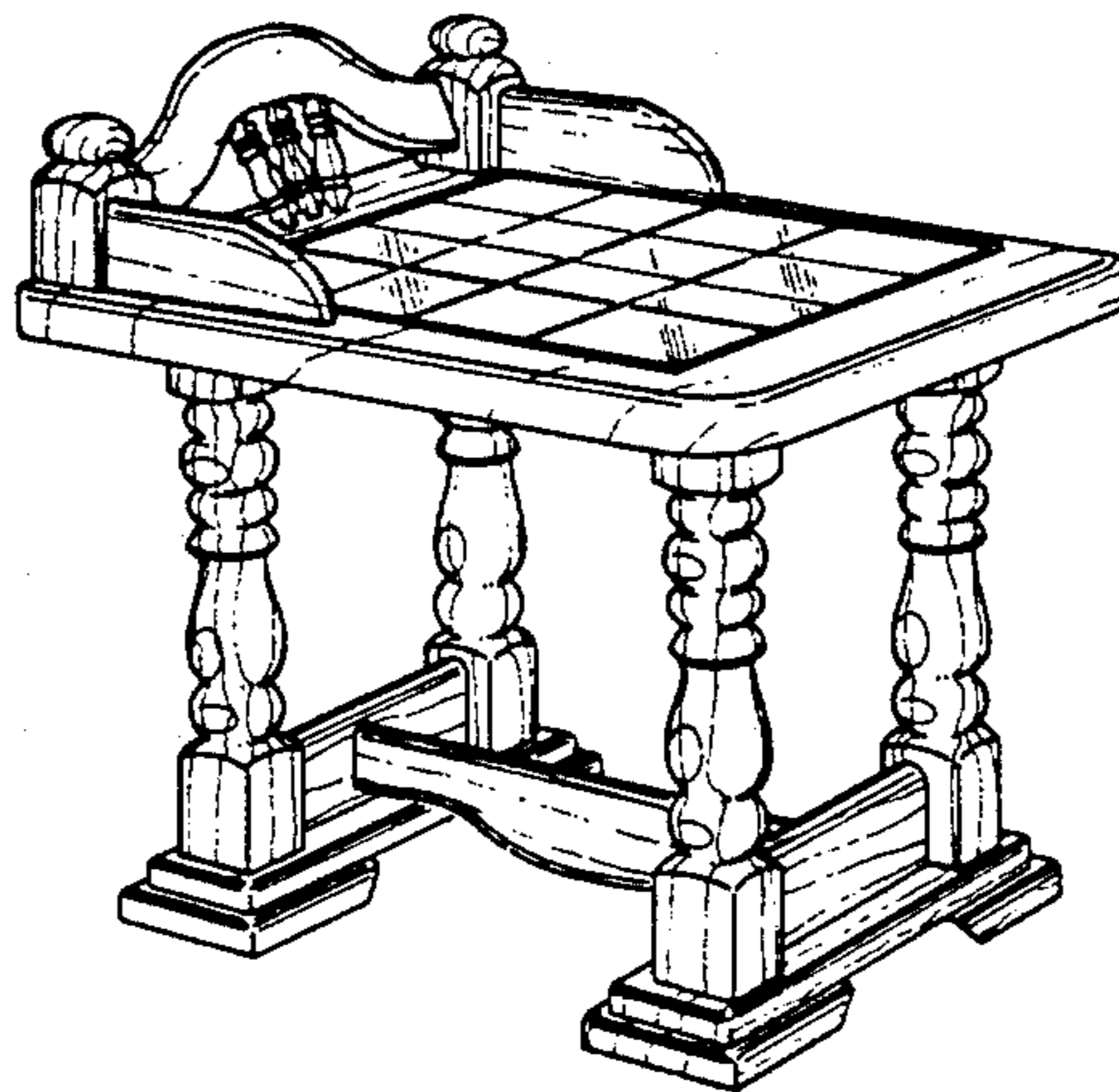
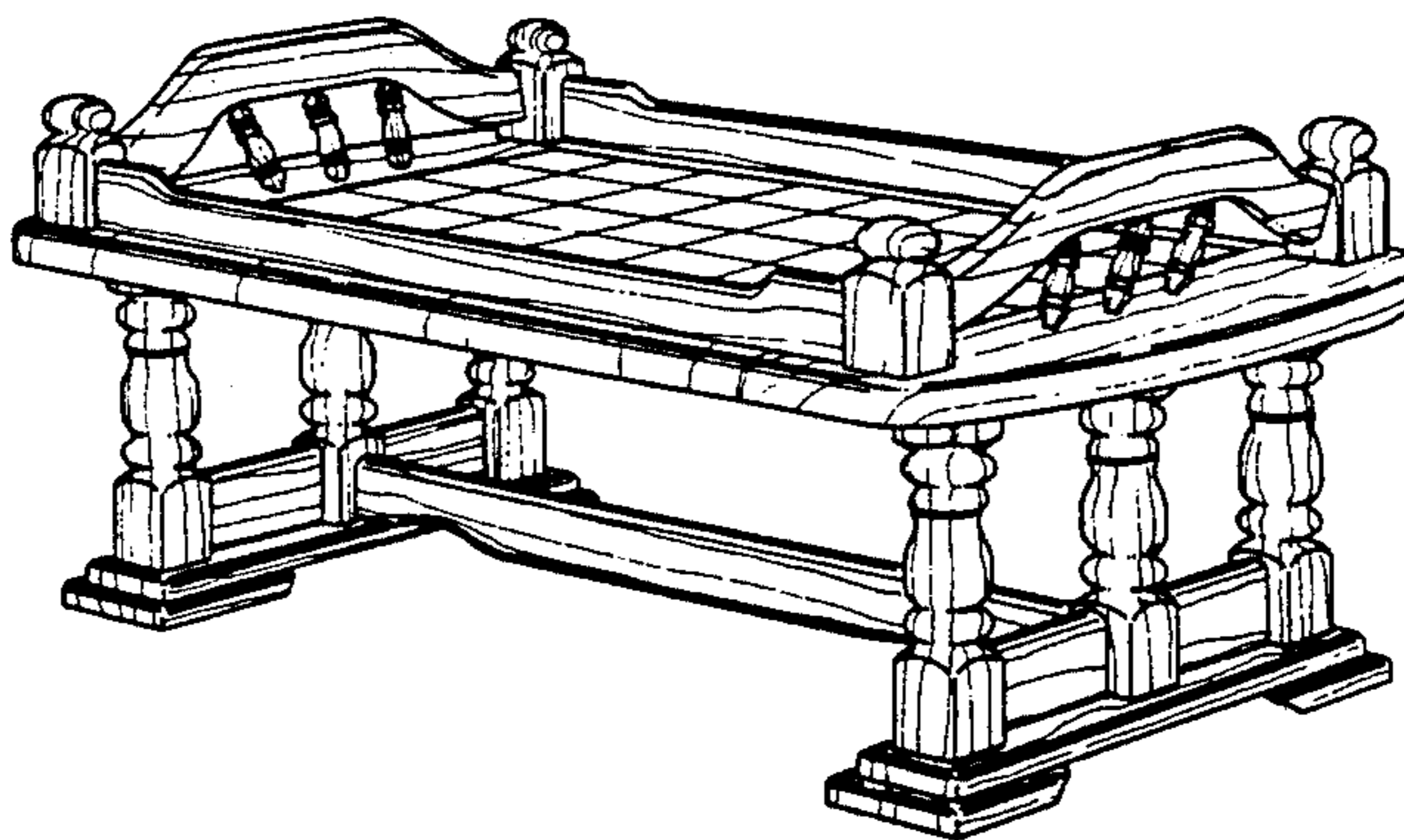
Assistant Examiner—Janice E. Seeger
Attorney, Agent, or Firm—Wicks, Nemer & Kamrath
Peterson

[57] **CLAIM**

The ornamental design for table, as shown and described.

DESCRIPTION

FIG. 1 is a front elevational view of a table, showing our new design;
 FIG. 2 is a top plan view;
 FIG. 3 is an end elevational view, the opposite end being identical thereto;
 FIG. 4 is a perspective view;
 FIG. 5 is a front elevational view of a table showing a second embodiment of our new design;
 FIG. 6 is a rear elevational view of the table of FIG. 5;
 FIG. 7 is a top plan view of the table of FIG. 5;
 FIG. 8 is an end elevational view of the table of FIG. 5, the opposite end being a mirror image thereof;
 FIG. 9 is a perspective view of the table of FIG. 5;
 FIG. 10 is a front elevational view of a table, showing a third embodiment of our new design;
 FIG. 11 is a rear elevational view of the table of FIG. 10;
 FIG. 12 is a top plan of the table of FIG. 10;
 FIG. 13 is an end elevational view of the table of FIG. 10, the opposite end being a mirror image thereof; and,
 FIG. 14 is a perspective view of the table of FIG. 10.



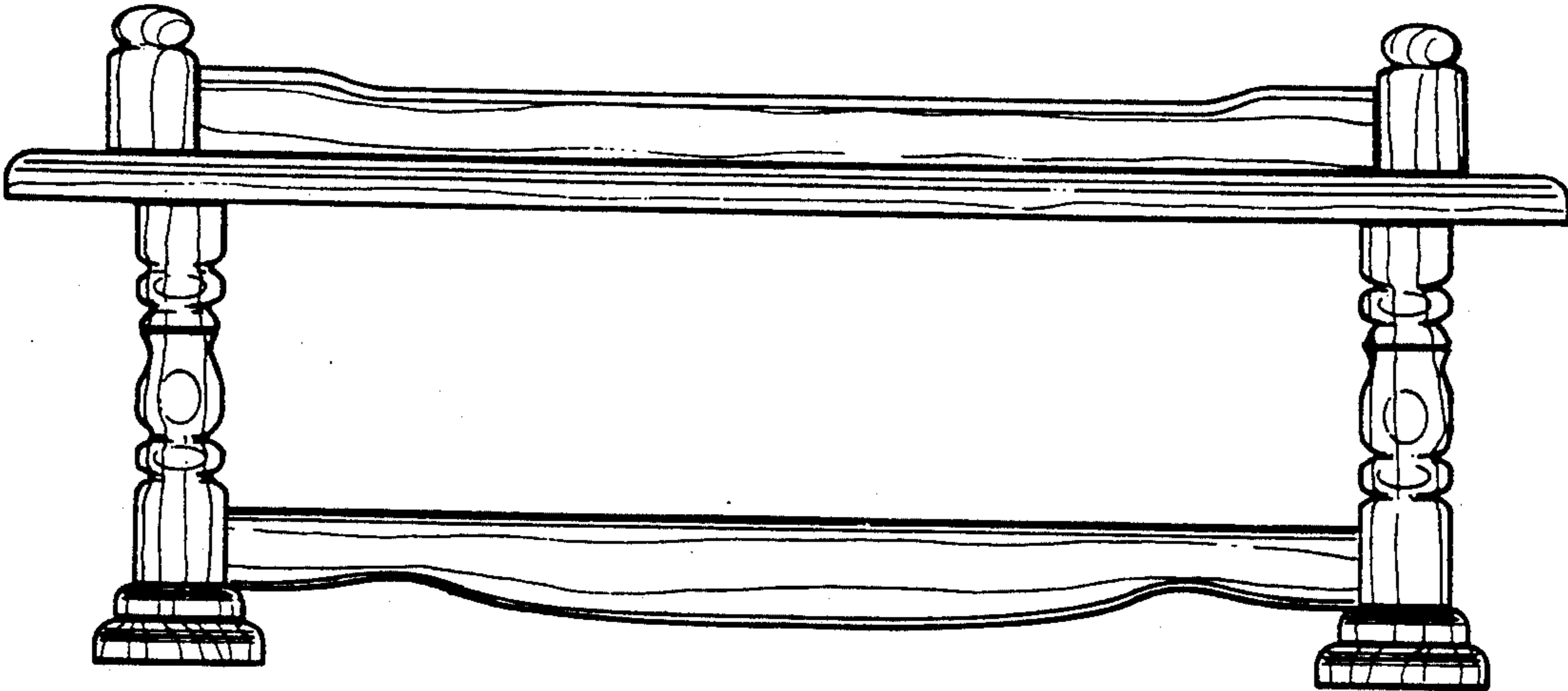


Fig. 1

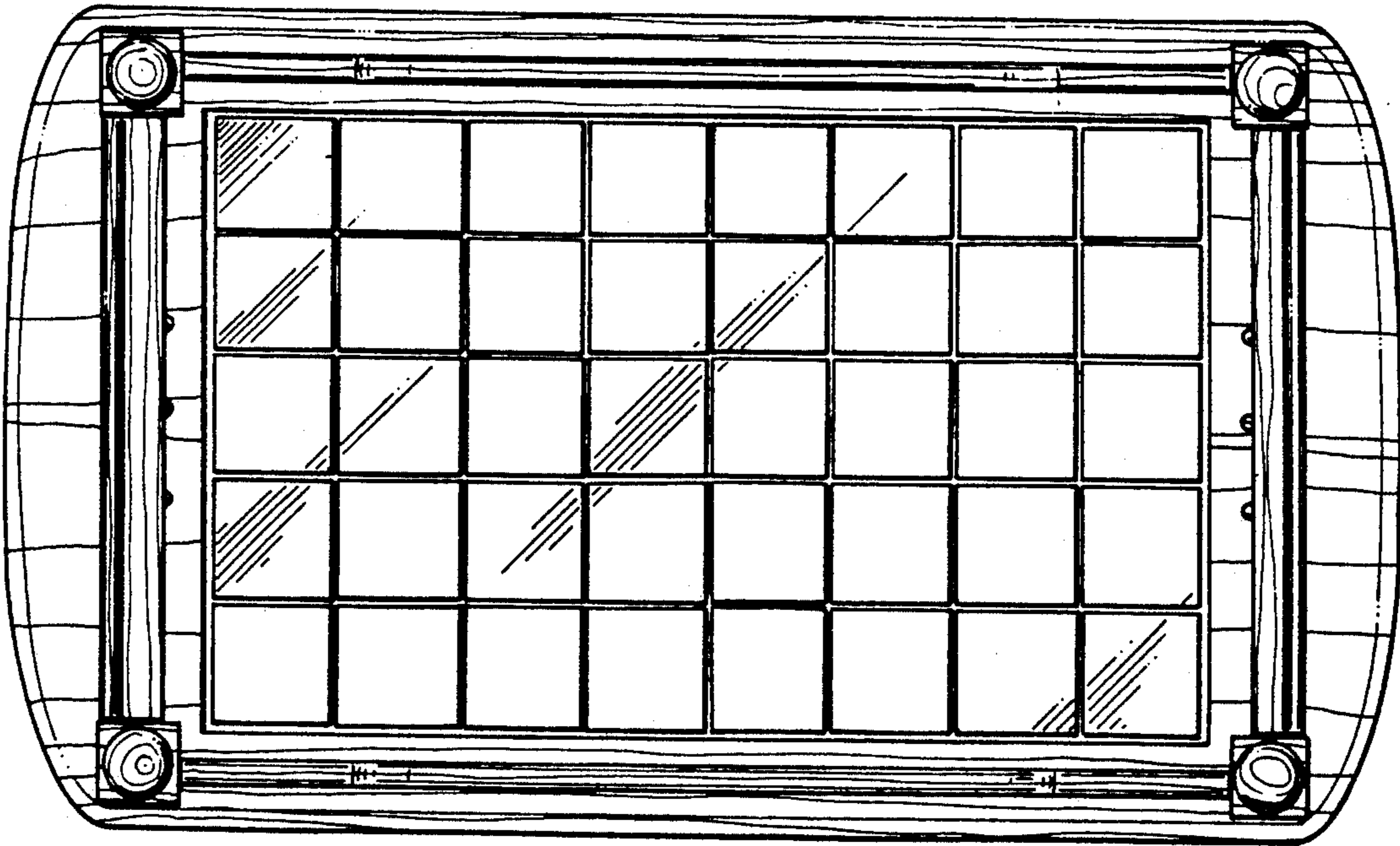


Fig. 2

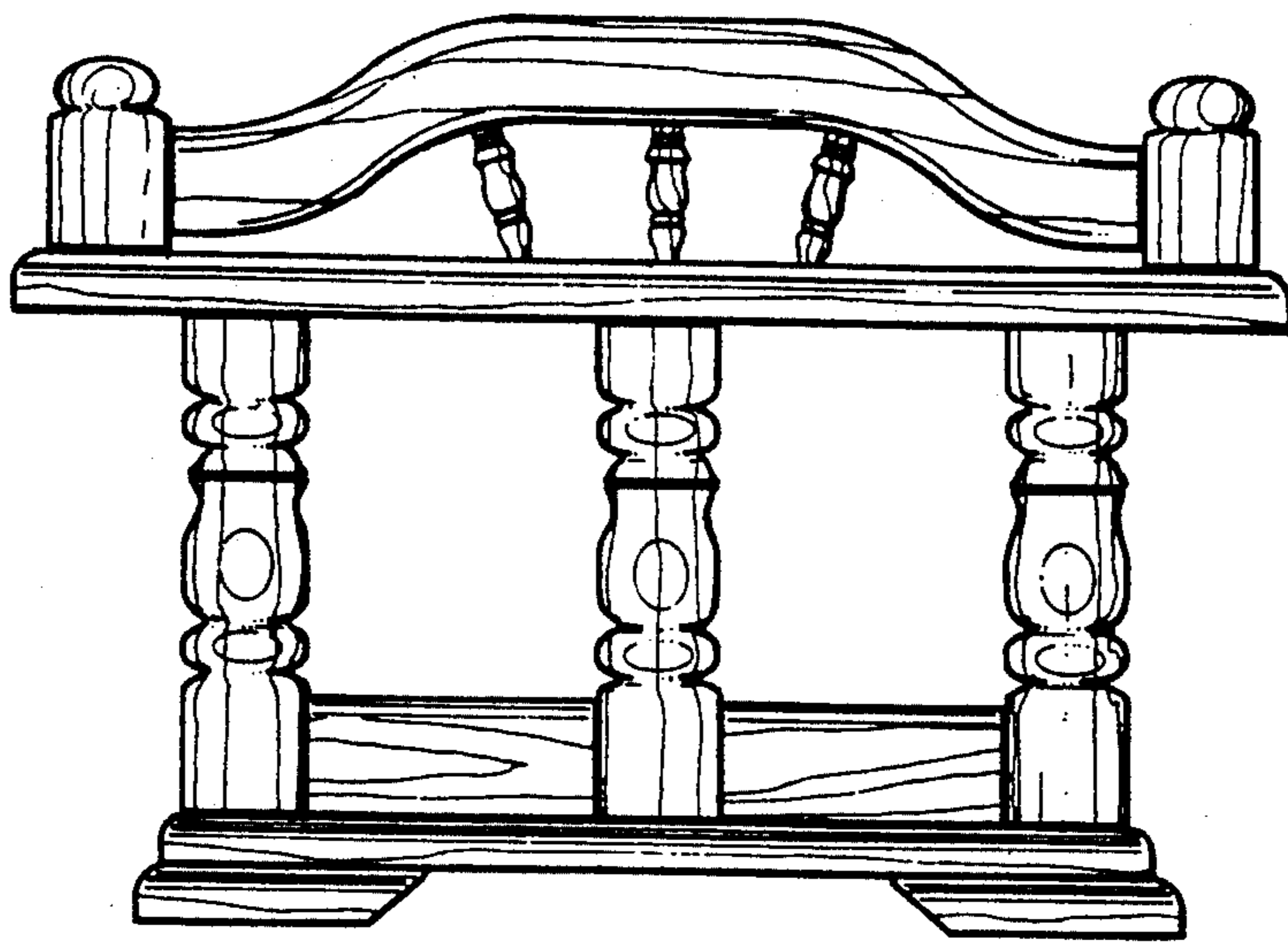


Fig. 3

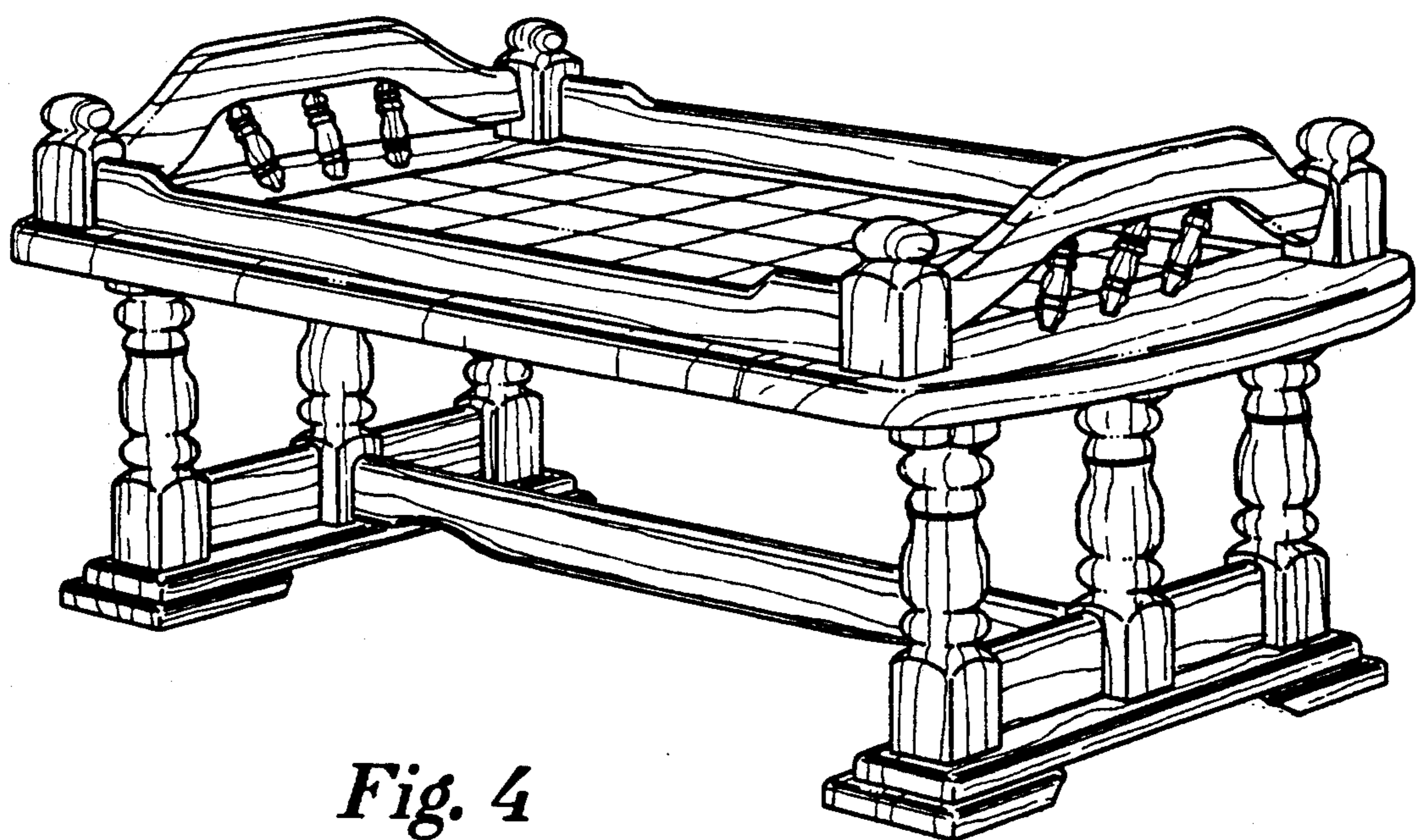


Fig. 4

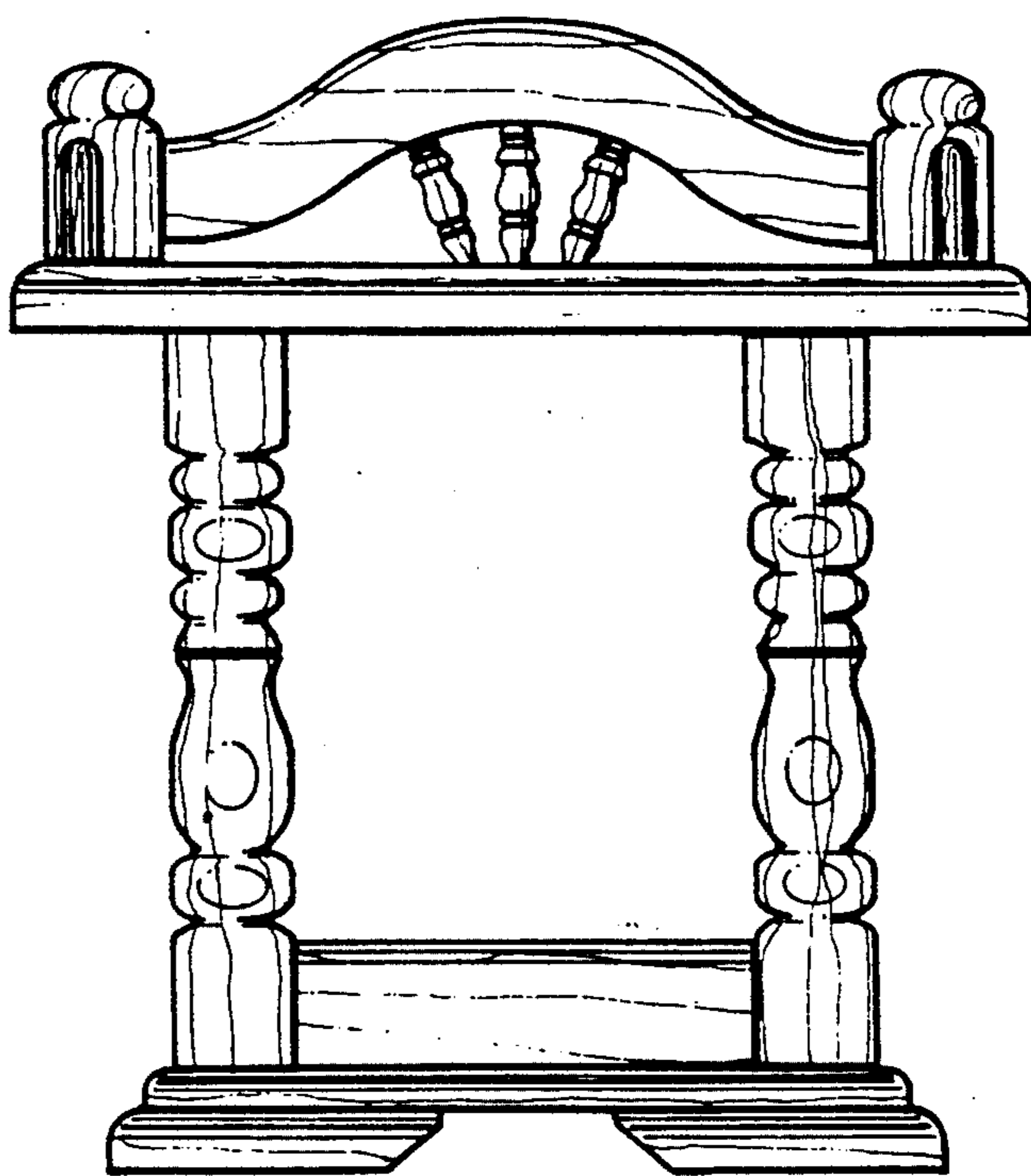


Fig. 5

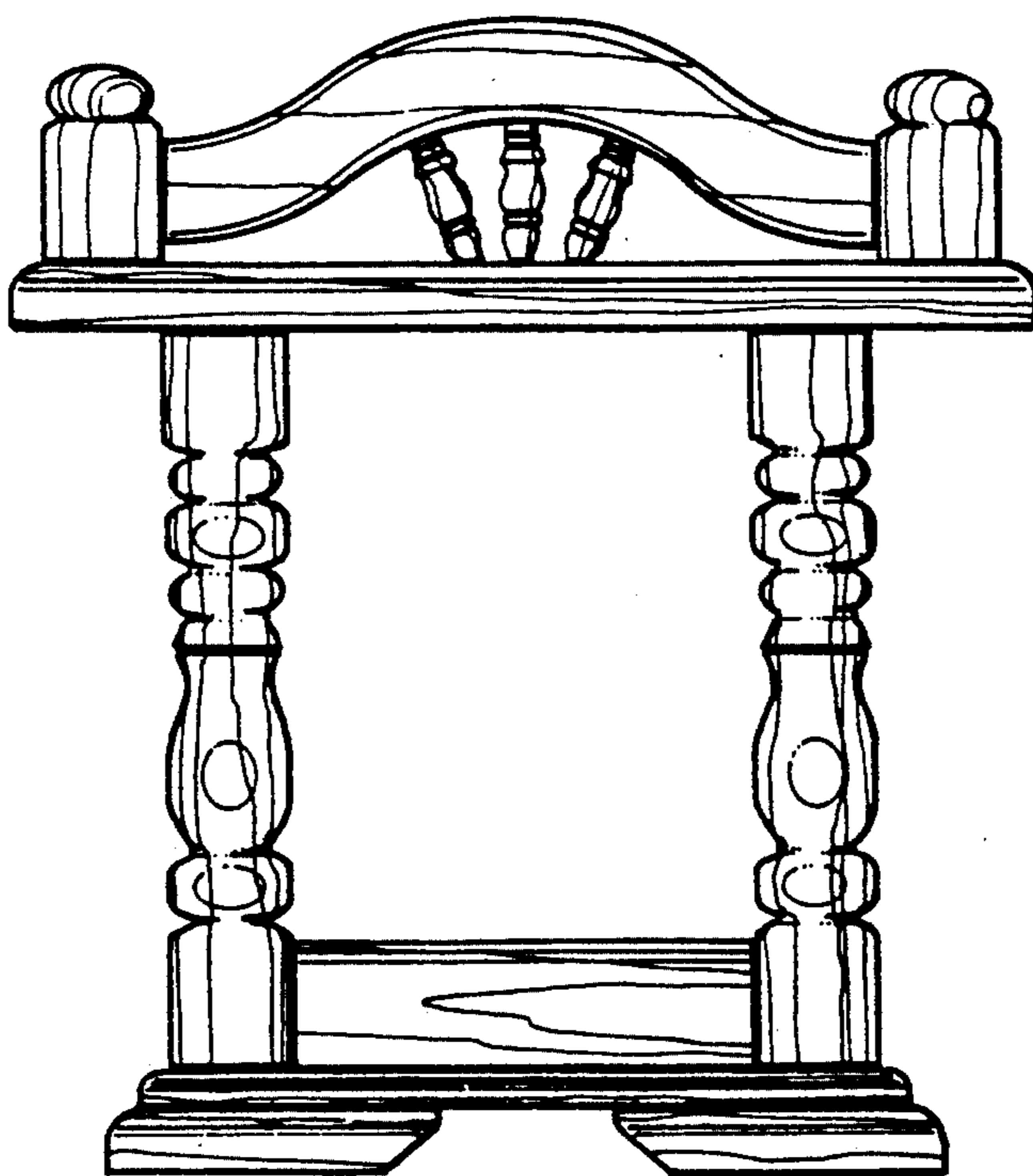


Fig. 6

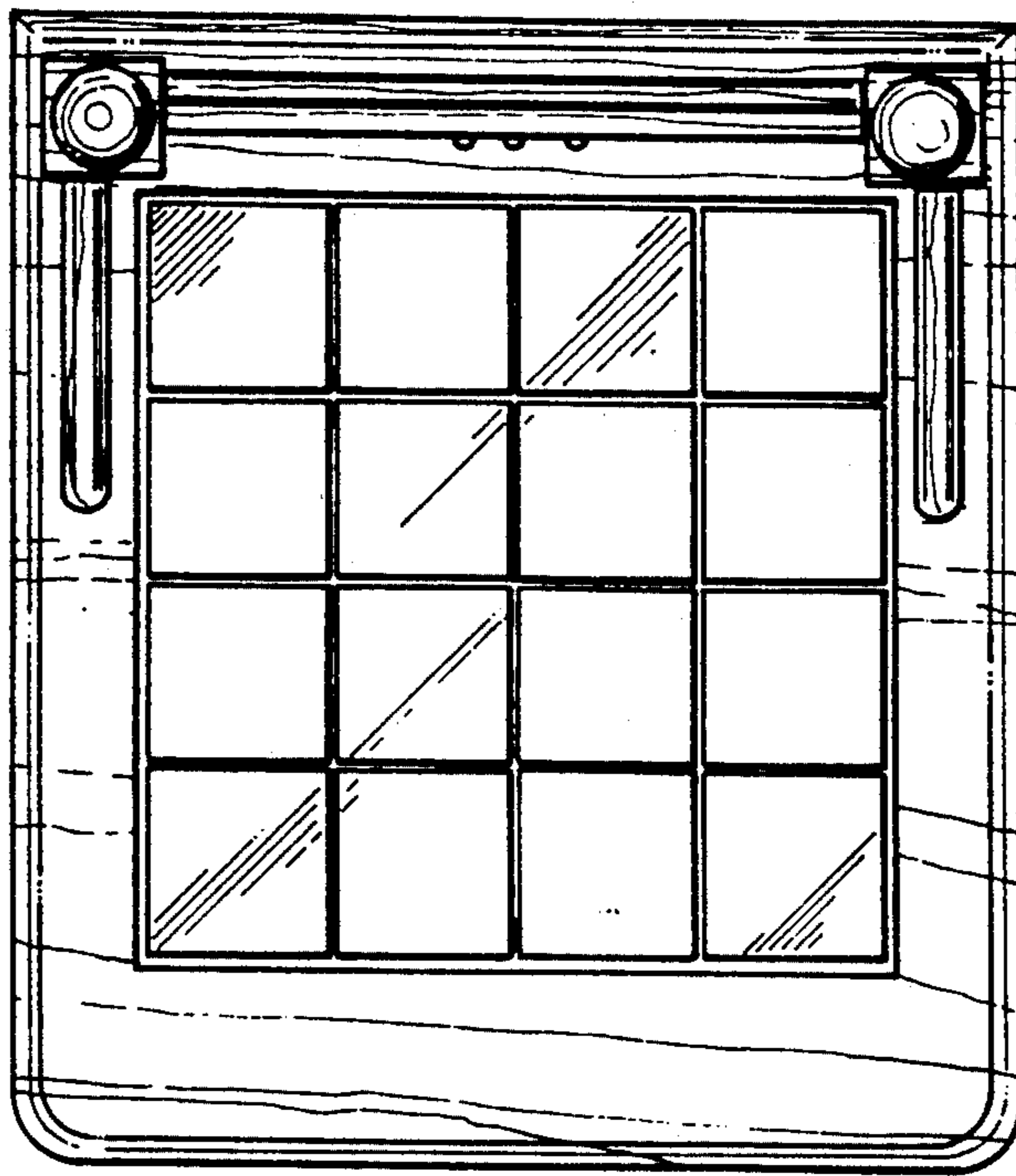


Fig. 7

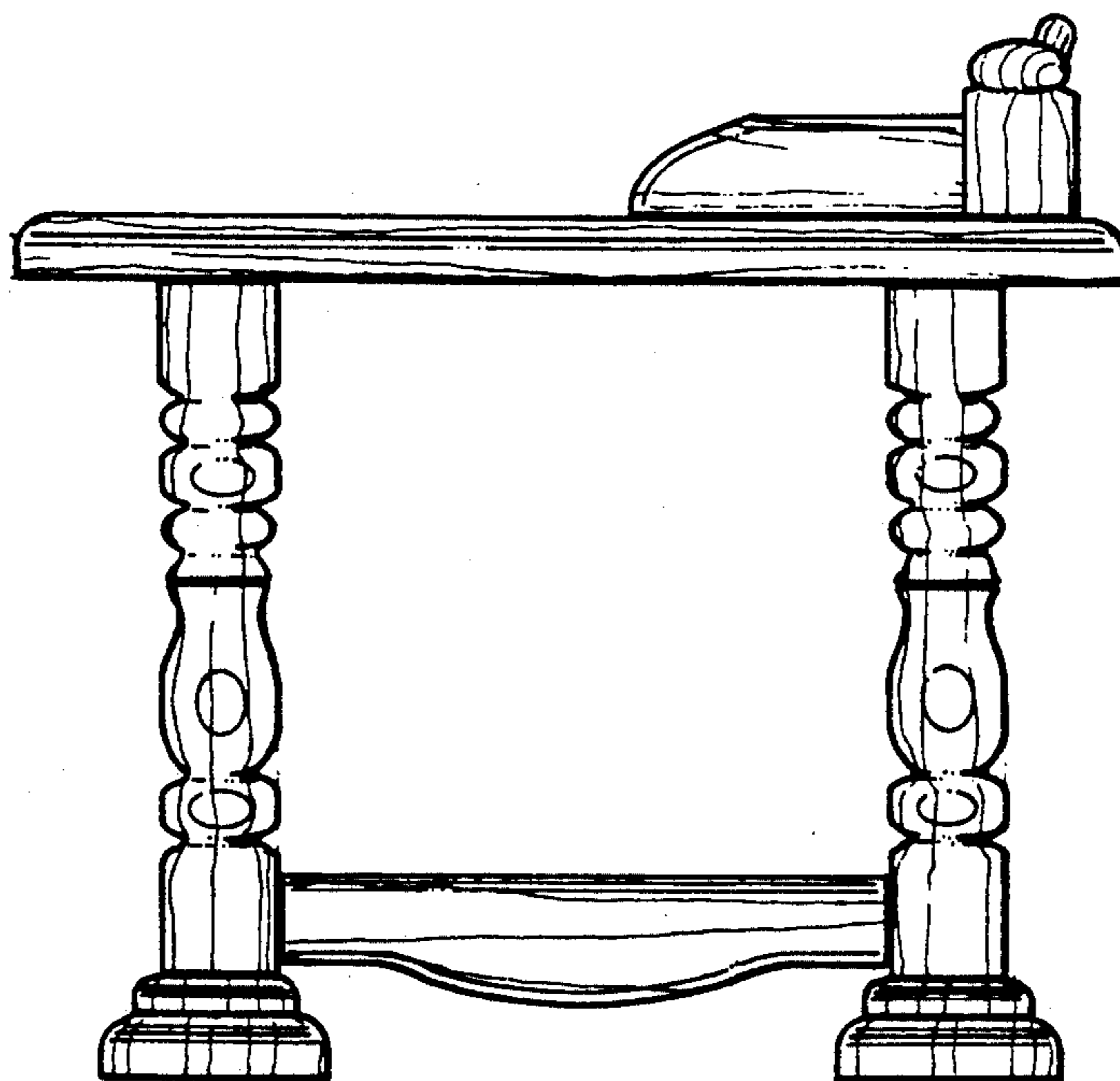


Fig. 8

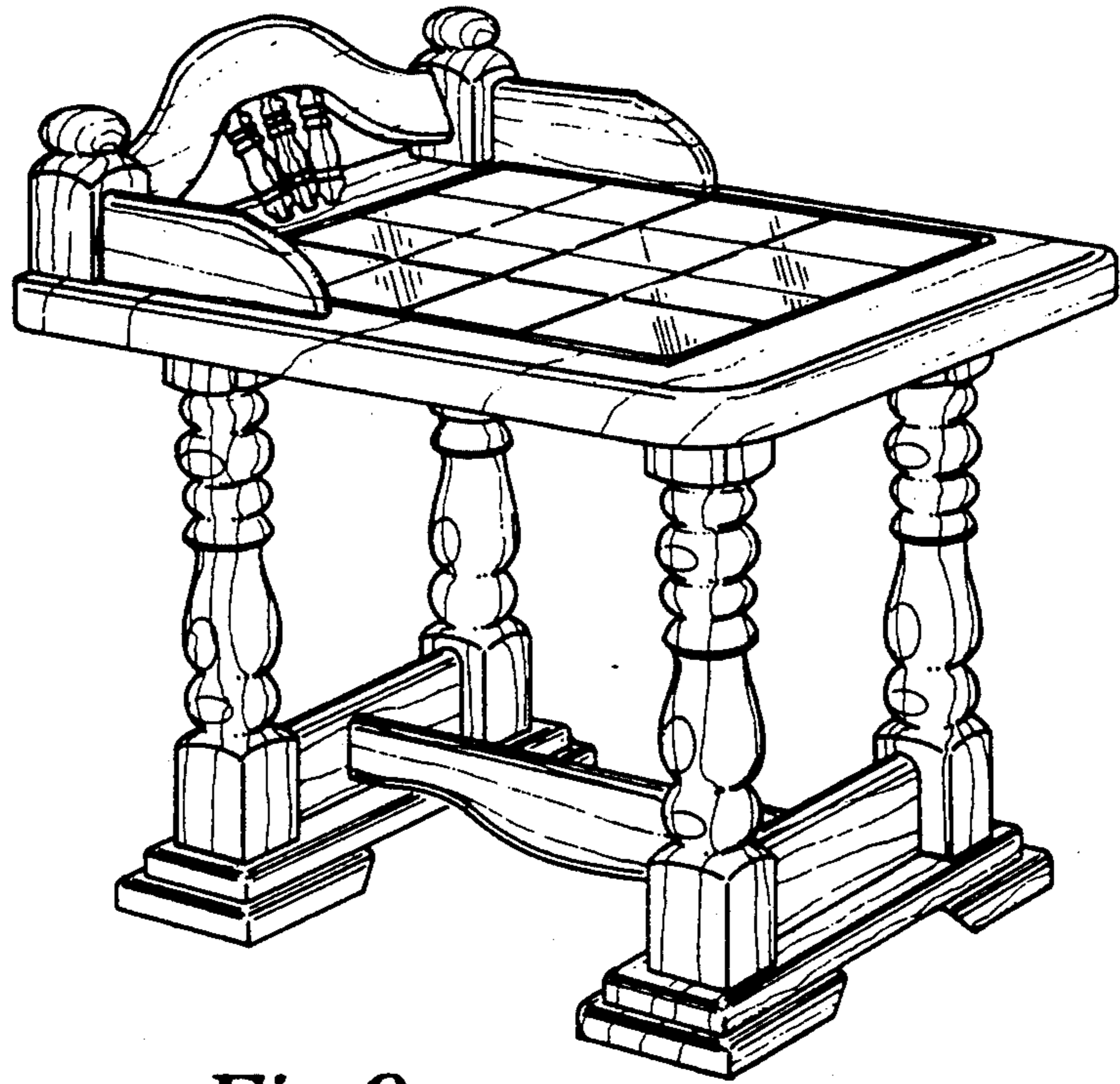


Fig. 9

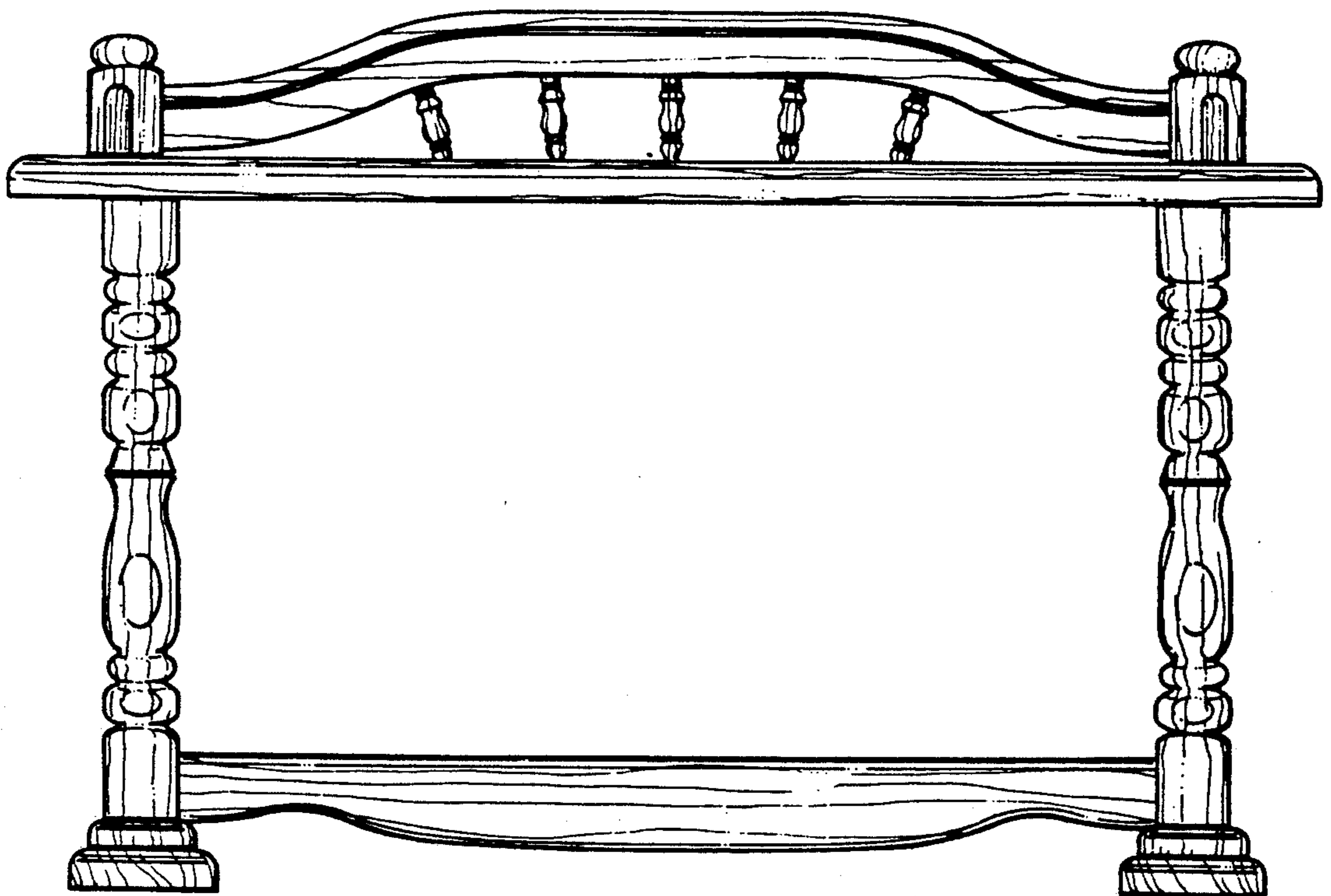


Fig. 10

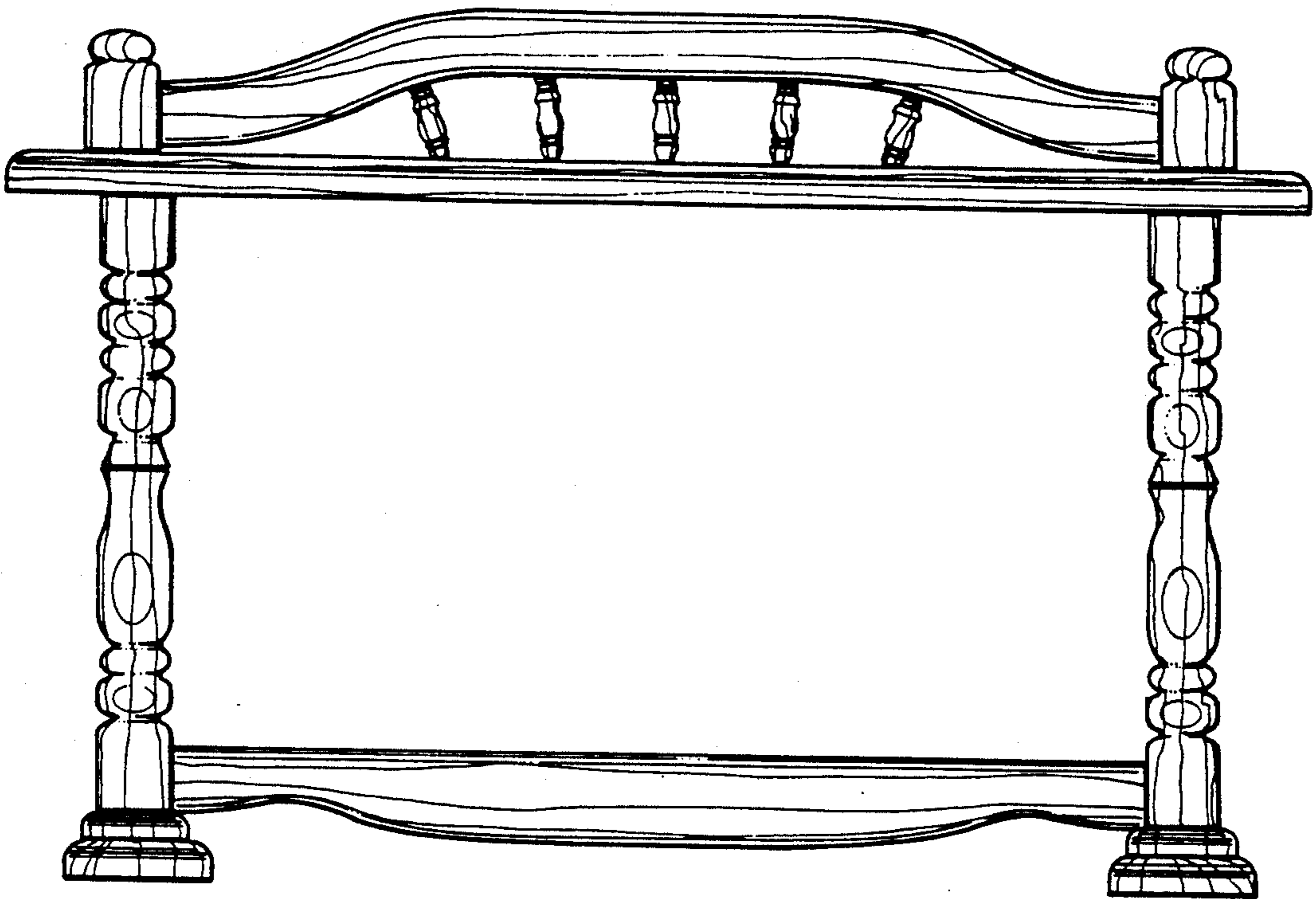


Fig. 11

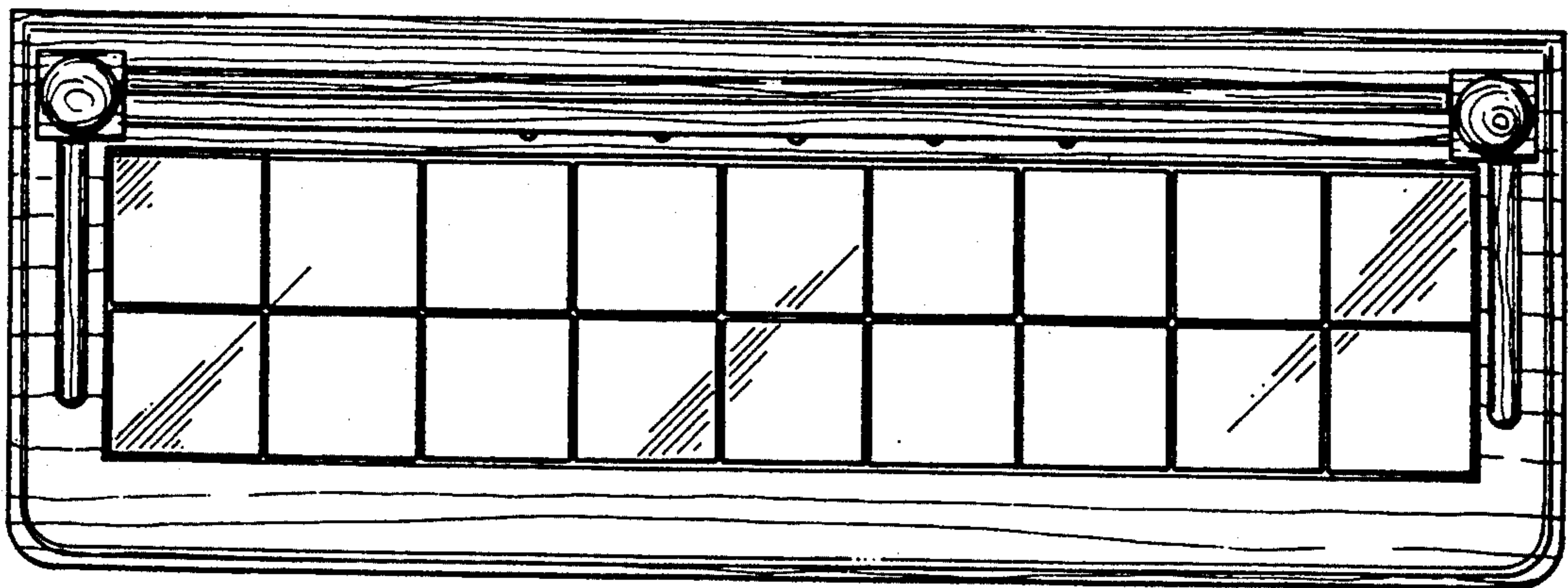


Fig. 12

Fig. 13

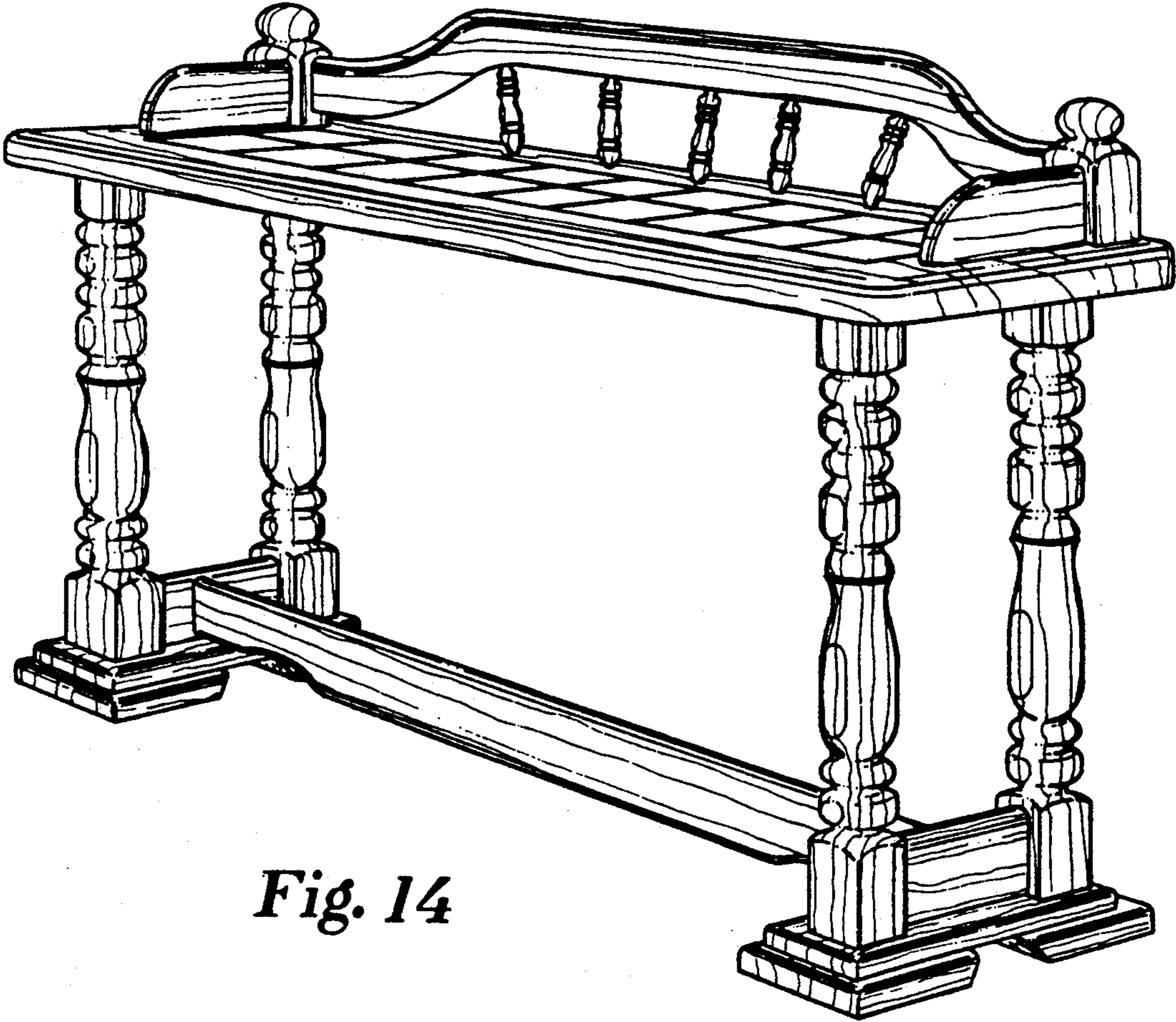
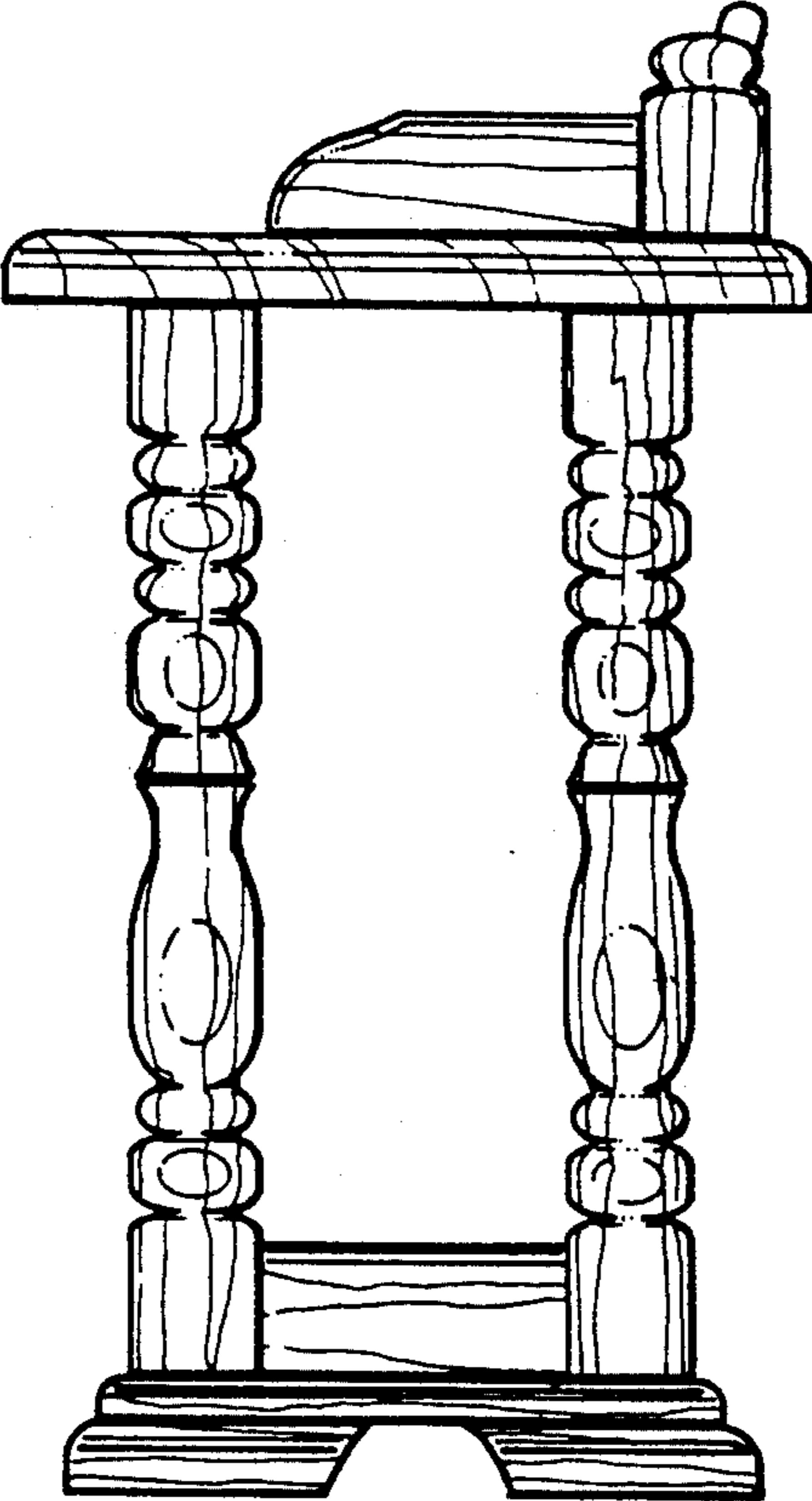


Fig. 14