



US00D330818S

United States Patent [19]

[11] Patent Number: **Des. 330,818**

Brandt

[45] Date of Patent: **** Nov. 10, 1992**

[54] **COMBINED CYLINDRICAL TIME CAPSULE AND DISPLAY CASE**

D. 279,413 6/1985 Balducci D6/472 X
D. 291,281 8/1987 Danner D9/337
2,858,014 10/1958 Koziol 206/446

[76] Inventor: **David E. Brandt**, 54 Blooms Corner Rd., Warwick, N.Y. 10990

Primary Examiner—Donald P. Walsh
Assistant Examiner—Jeffrey Asch
Attorney, Agent, or Firm—Darby & Darby

[**] Term: **14 Years**

[21] Appl. No.: **580,000**

[57] **CLAIM**

[22] Filed: **Sep. 10, 1990**

The ornamental design for a combined cylindrical time capsule and display case, as shown and described.

[52] U.S. Cl. **D6/472; D3/30.1; D99/28; D99/99**

DESCRIPTION

[58] Field of Search **D6/449, 396, 475, 470-472; D3/30.1; D99/28, 31, 99; 206/446, 216; 211/13; 312/114, 116, 124, 125; D9/337, 456, 369, 397**

FIG. 1 is a front perspective view of a combined cylindrical time capsule and case in its closed condition showing my new design;

FIG. 2 is a front elevational view thereof;

FIG. 3 is a right side elevational view, the left side being a mirror image thereof;

FIG. 4 is a rear elevational view thereof;

FIG. 5 is a top plan view thereof;

FIG. 6 is a bottom plan view thereof; and,

FIG. 7 is a front perspective view thereof in its open condition.

FIGS. 2, 3 and 4 have been shown on an enlarged scale with respect to FIG. 1.

[56] **References Cited**

U.S. PATENT DOCUMENTS

D. 11,058	3/1879	Brown	D6/472
D. 79,714	10/1929	Hails	D99/99
D. 114,950	5/1939	Haynie, Jr.	D6/472
D. 179,424	12/1956	Olejniczak	D6/472
D. 255,218	6/1980	Krag	D3/30.1
D. 264,520	5/1982	Garrett	D3/30.1

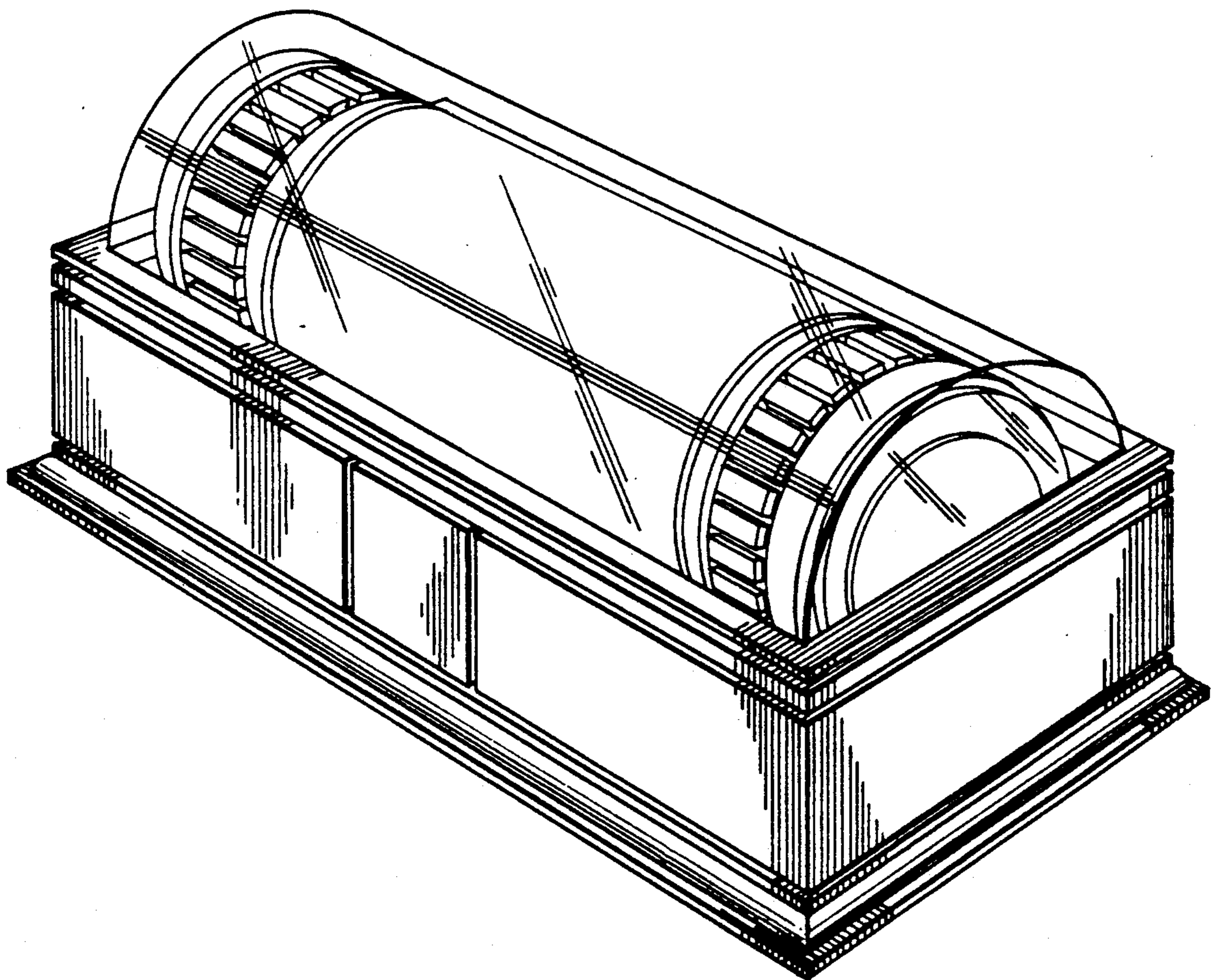


FIG. 1

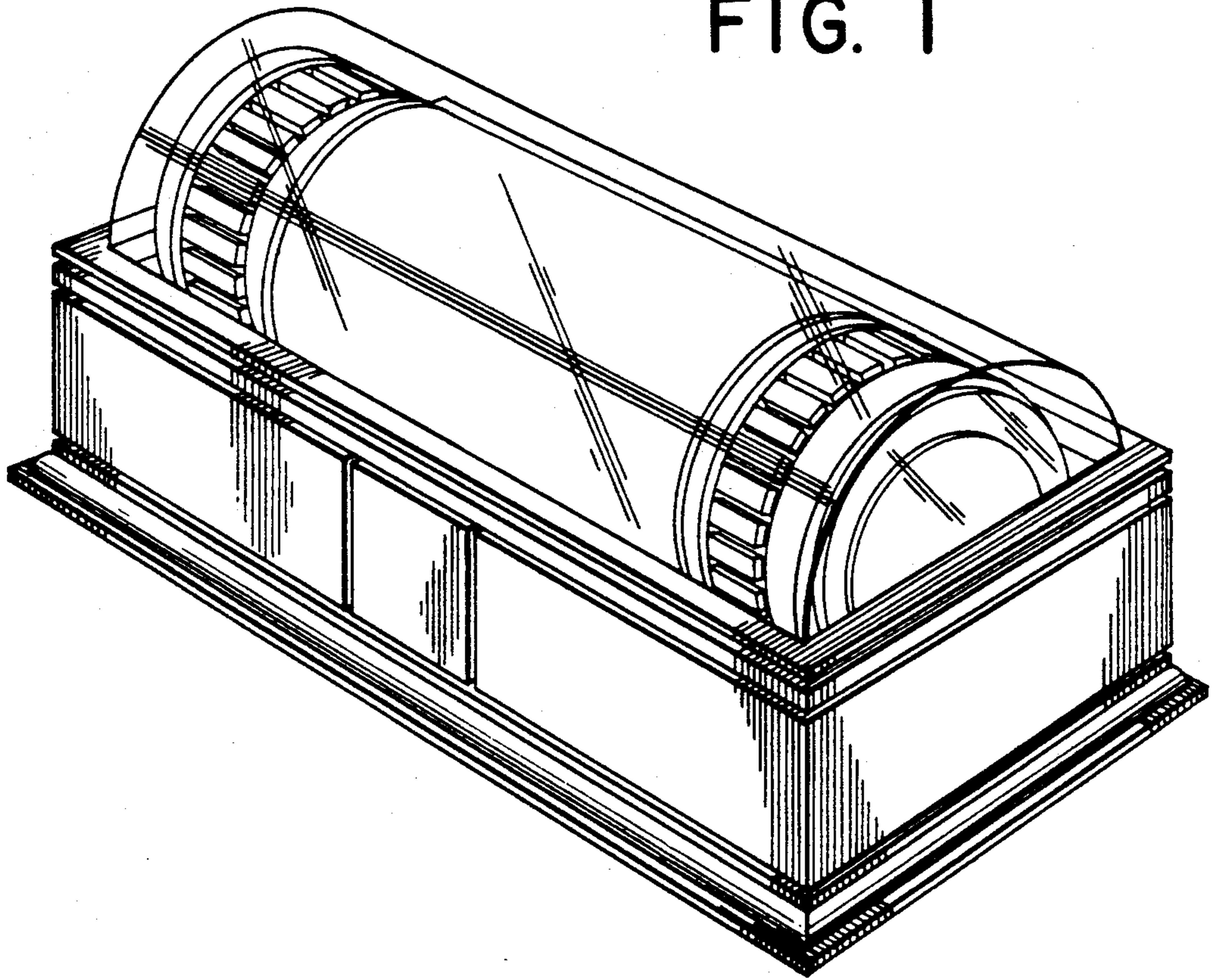
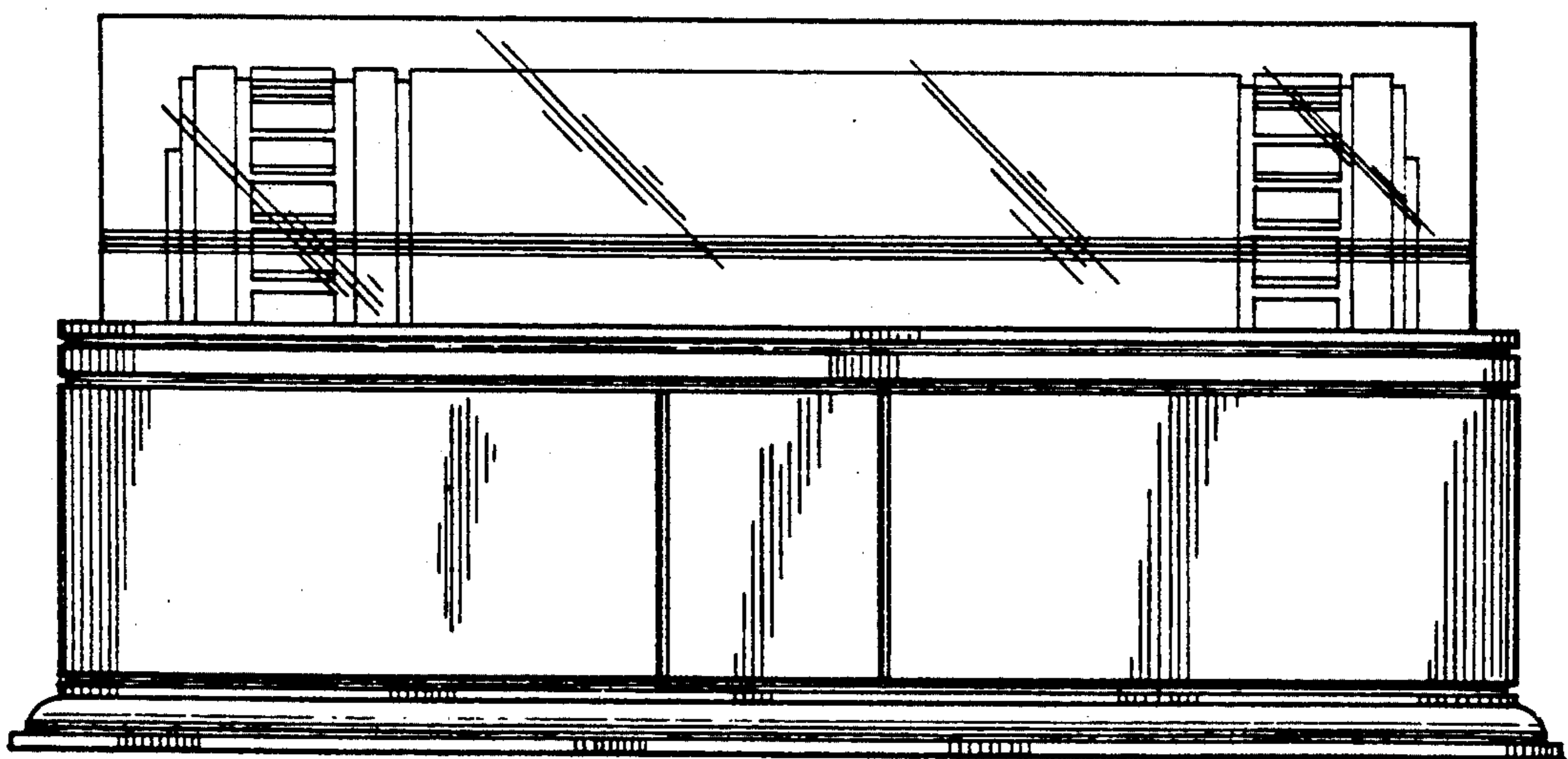


FIG. 2



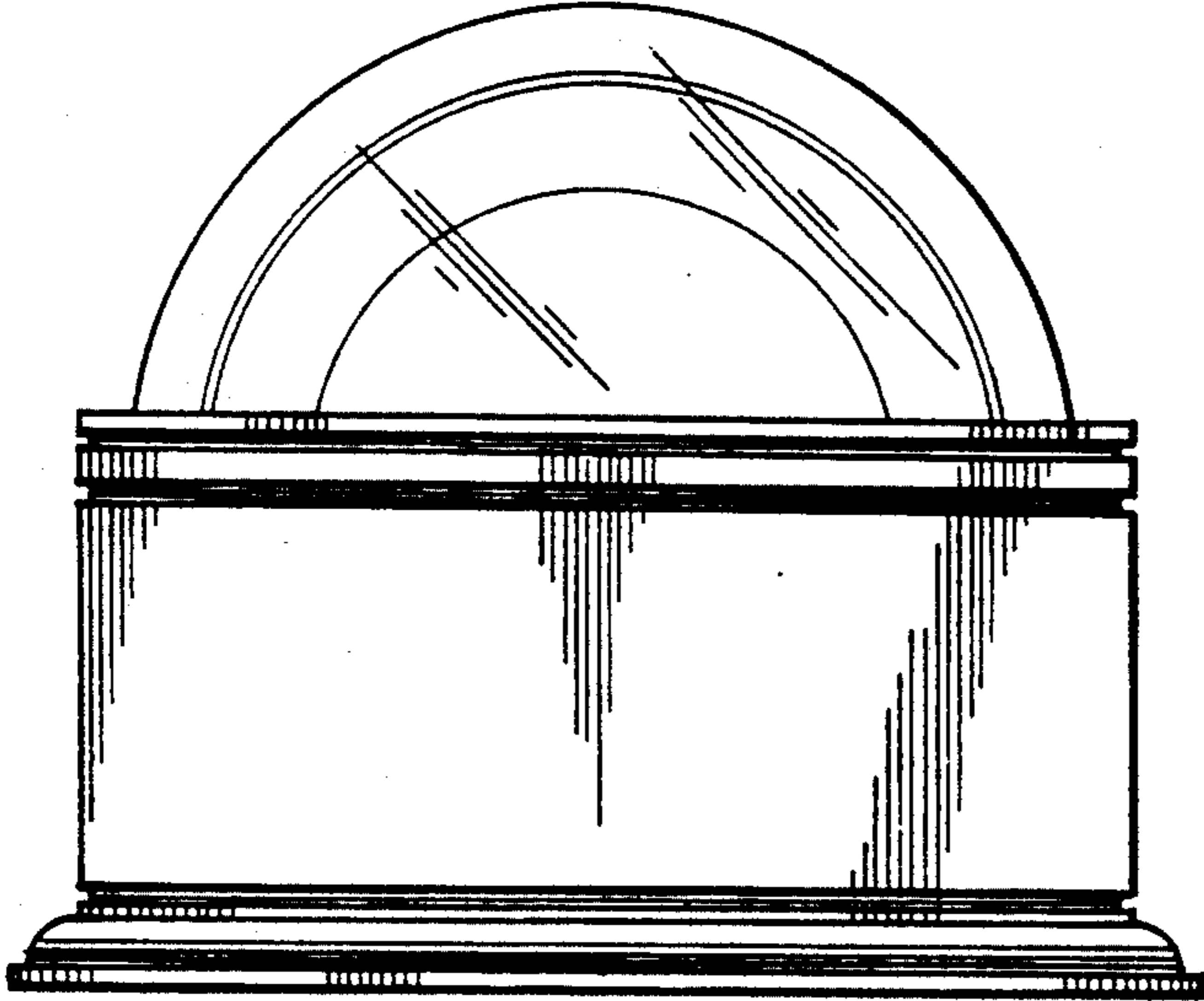


FIG. 3

FIG. 4

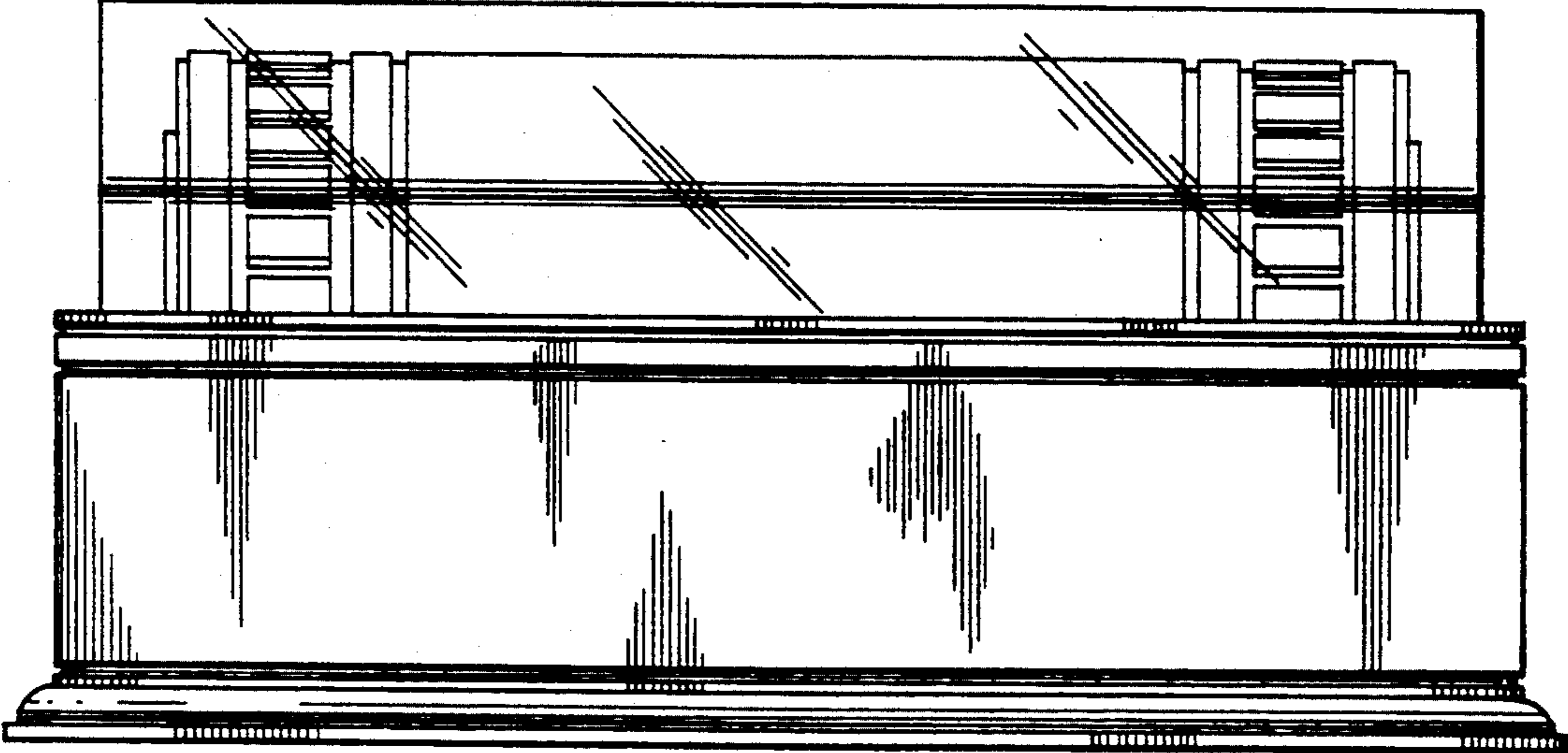
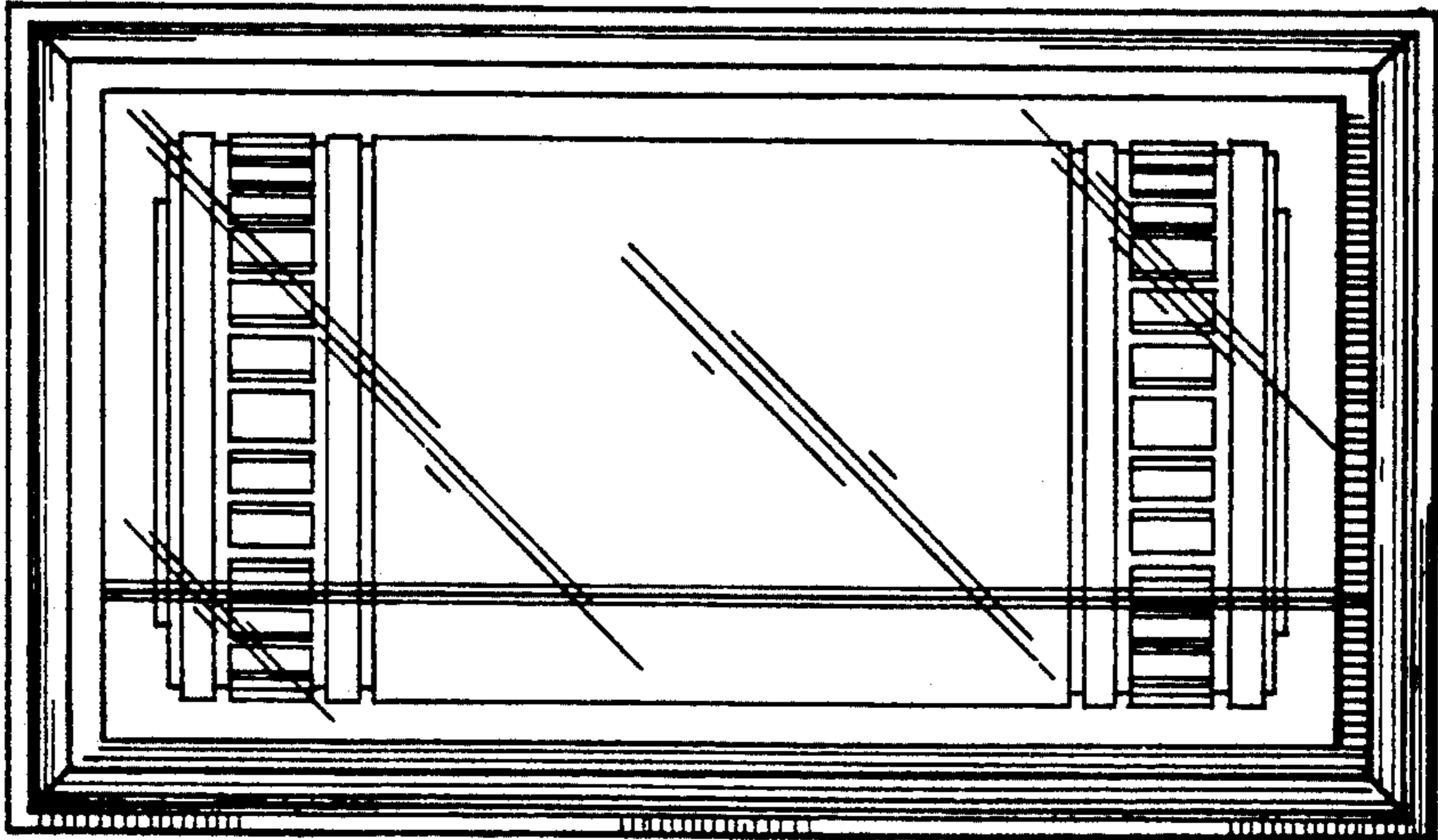


FIG. 5



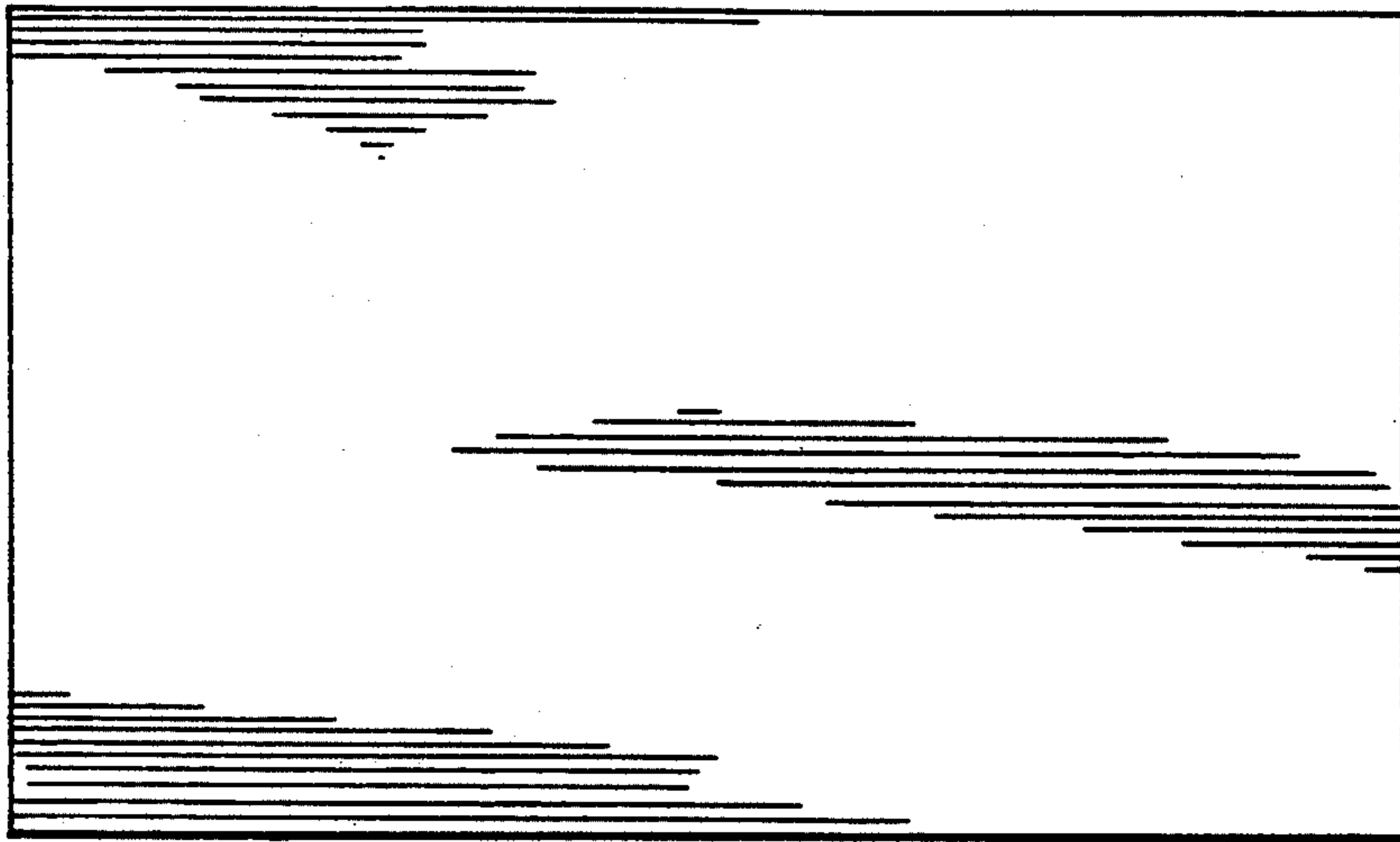


FIG. 6

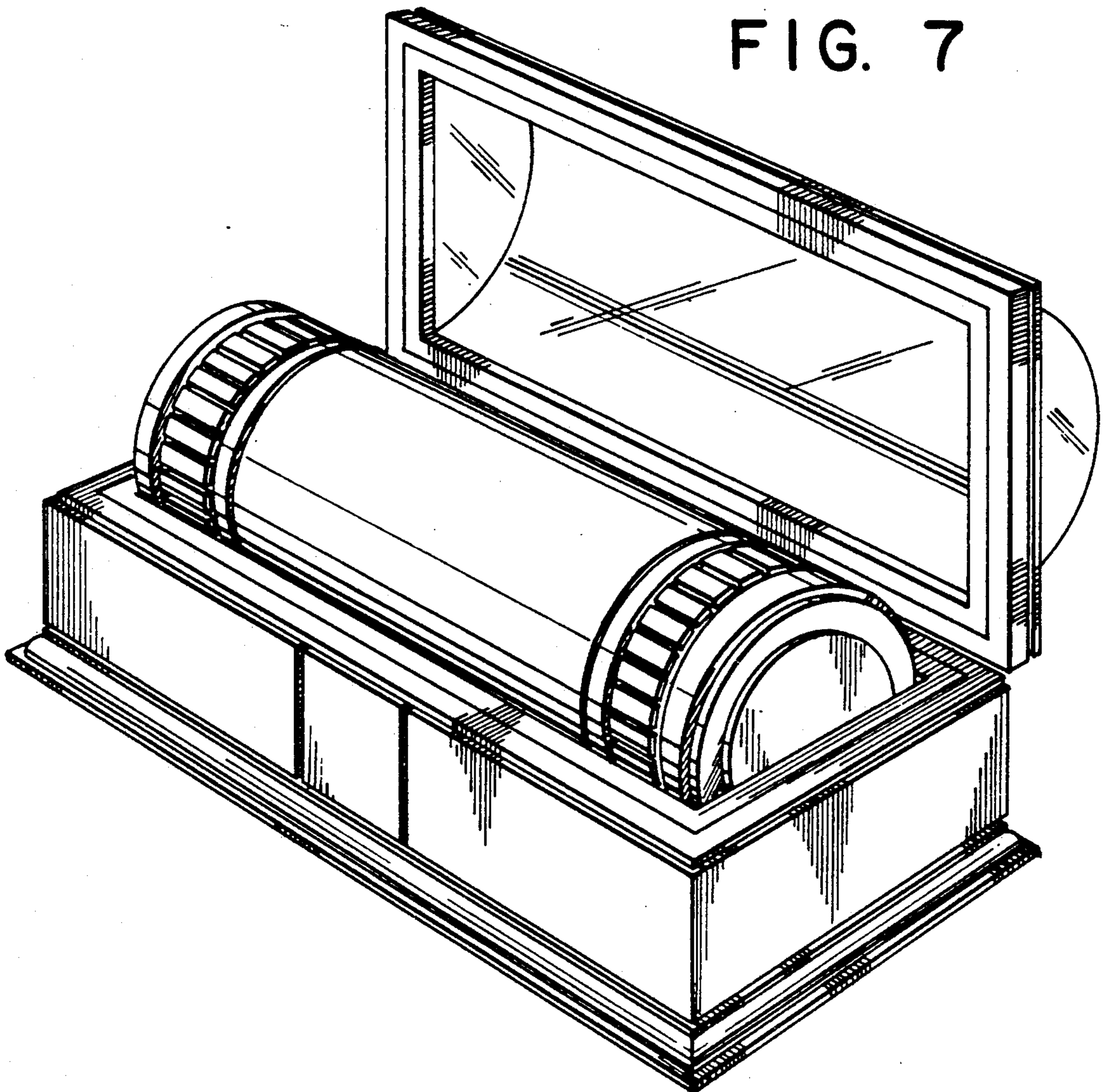


FIG. 7