



US00D330813S

# United States Patent [19]

[11] Patent Number: **Des. 330,813**

Spitzer et al.

[45] Date of Patent: **\*\* Nov. 10, 1992**

## [54] STORAGE DRAWERS

[75] Inventors: **Charles M. Spitzer, Roslyn Heights, N.Y.; Paul F. Siegel, Ridgefield, Conn.**

[73] Assignee: **A-Bee Syndicate, Inc., New York, N.Y.**

[\*\*] Term: **14 Years**

[21] Appl. No.: **463,982**

[22] Filed: **Jan. 12, 1990**

[52] U.S. Cl. .... **D6/432; D3/73; D6/436; D6/467; D6/491; 211/153**

[58] Field of Search ..... **D6/396, 397, 407, 410, D6/411-415, 421, 422, 432, 445, 446, 448, 467, 400, 461, 468, 475, 479, 491, 495; D3/73, 74; D7/616; D9/418; D19/90, 92**

## [56] References Cited

### U.S. PATENT DOCUMENTS

D. 221,914	9/1971	Perkins et al. ....	D3/73
2,381,608	8/1945	Leyerle .....	211/153 X
2,943,747	7/1960	Shaw .....	211/153
5,016,946	5/1991	Reznikov et al. ....	D6/491 X

## OTHER PUBLICATIONS

*OPD*, Jul. 1981, p. 95, "Stylefile Card File", right center of page.

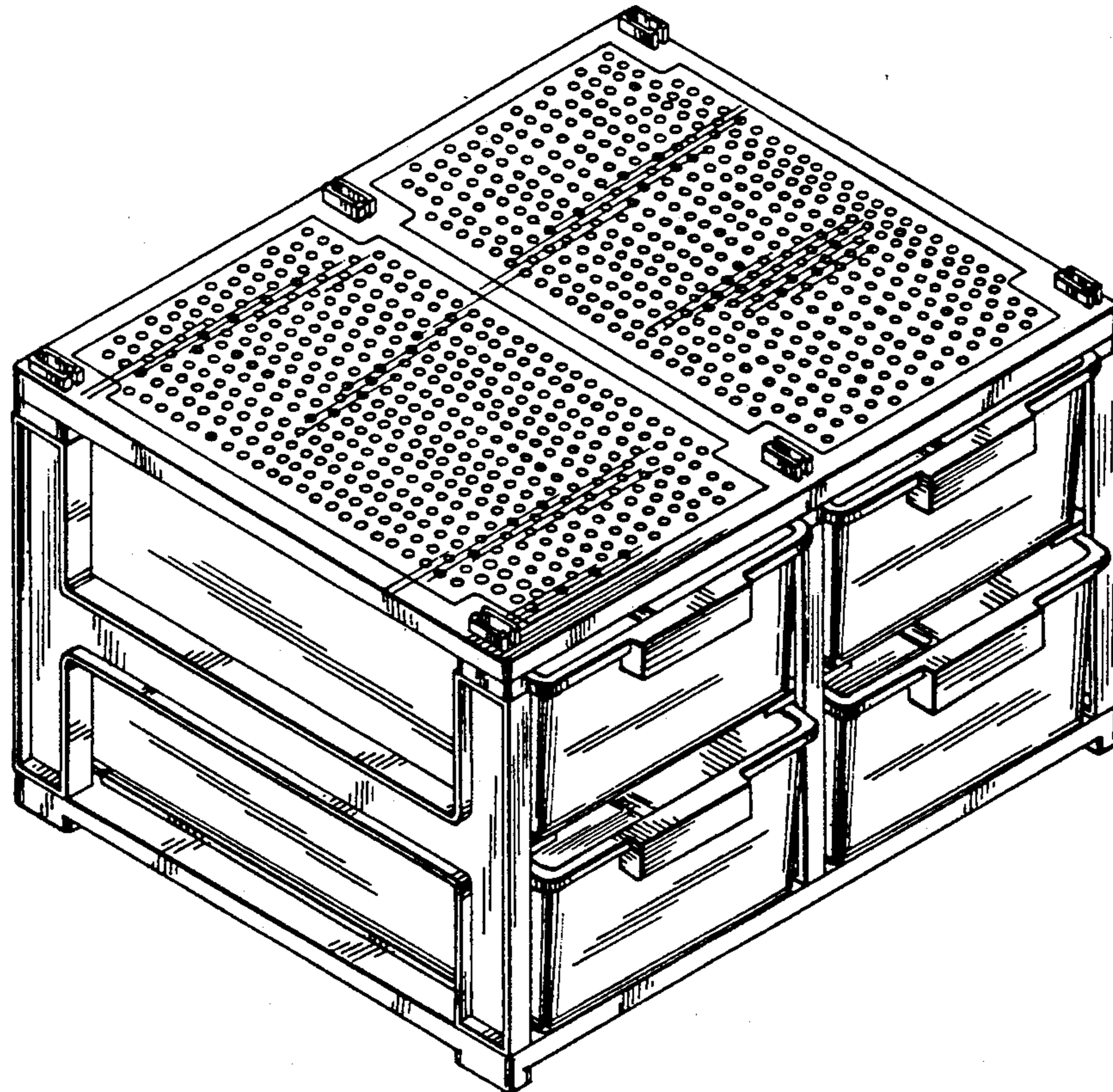
*Primary Examiner*—Donald P. Walsh  
*Assistant Examiner*—Monica A. Hannon  
*Attorney, Agent, or Firm*—McAulay Fisher Nissen Goldberg & Kiel

## [57] CLAIM

The ornamental design for storage drawers, as shown and described.

## DESCRIPTION

FIG. 1 is a perspective view of a storage drawer unit showing our new design;  
 FIG. 2 is a top plan view thereof;  
 FIG. 3 is a front elevational view thereof;  
 FIG. 4 is a right side elevational view thereof, the opposite side view being a mirror image thereof;  
 FIG. 5 is a rear elevational view thereof;  
 FIG. 6 is a bottom plan view thereof;  
 FIG. 7 is a perspective view of a second embodiment of FIG. 1 thereof;  
 FIG. 8 is a front elevational view of FIG. 7 thereof;  
 FIG. 9 is a rear elevational view of FIG. 7 thereof;  
 FIG. 10 is a bottom plan view of FIG. 7 thereof;  
 FIG. 11 is a third embodiment of FIG. 1, with the embodiment of FIG. 1 in a stacked position thereof; and,  
 FIG. 12 is a front elevational view of FIG. 11 thereof.





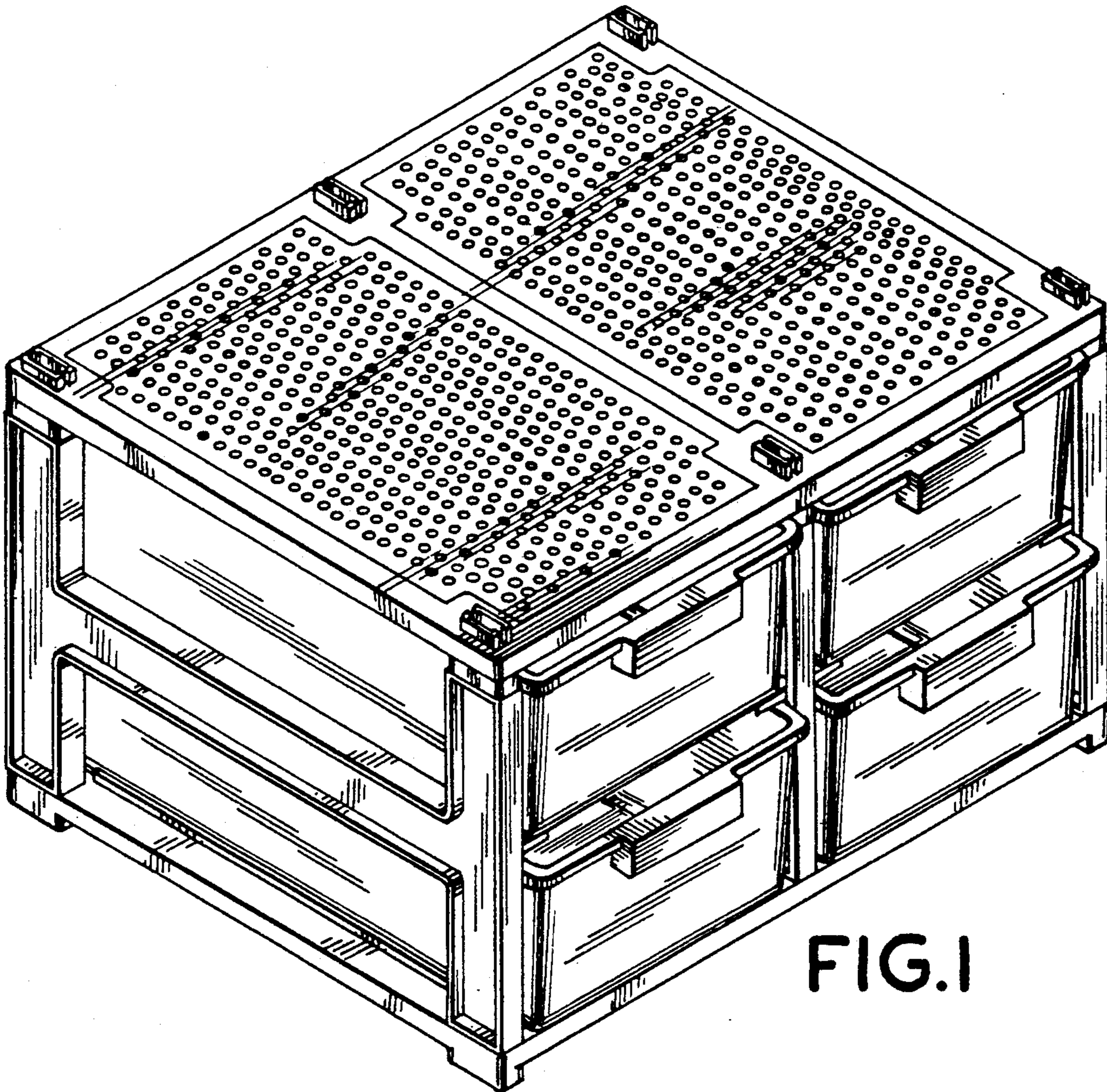


FIG. 1

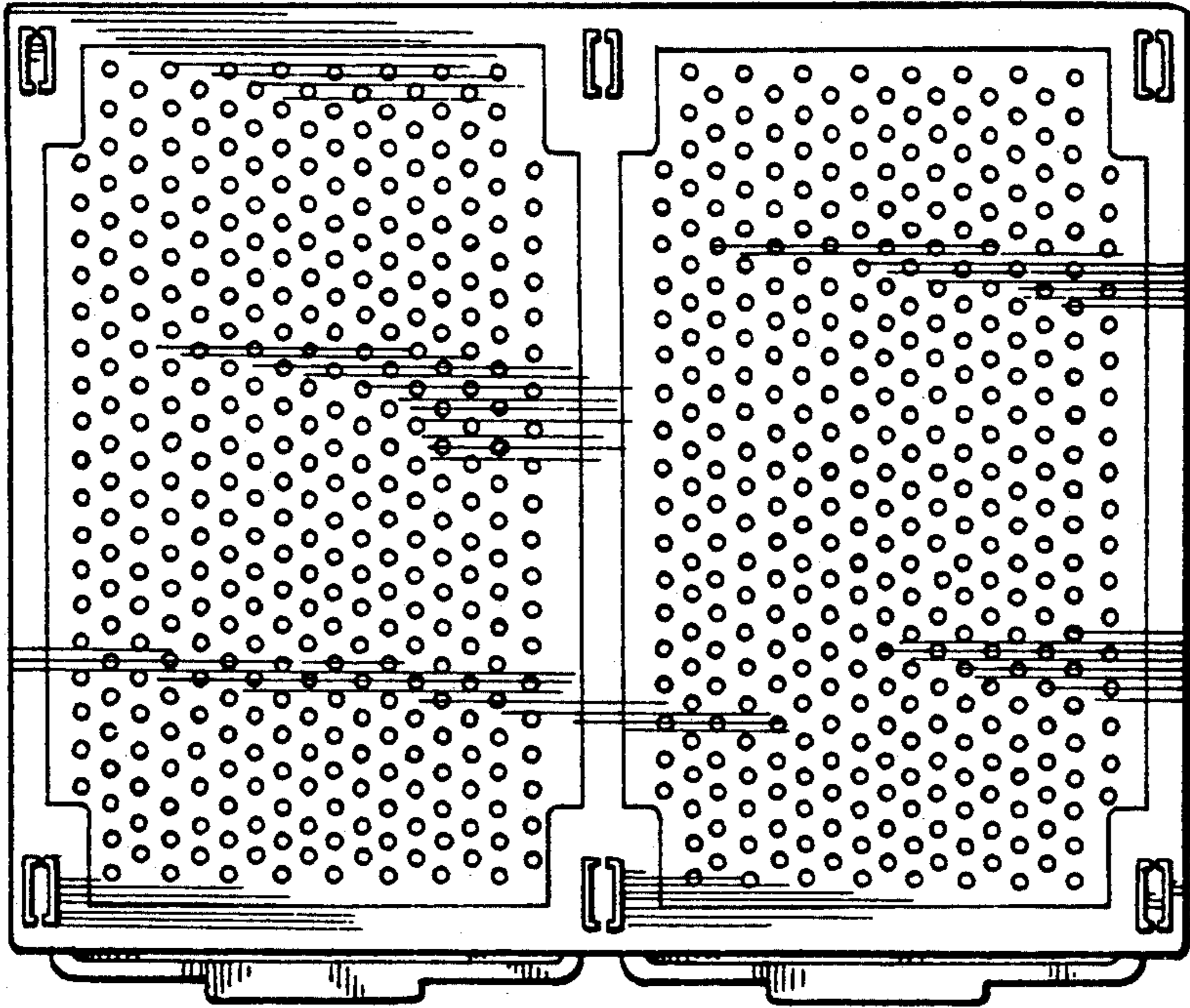


FIG. 2

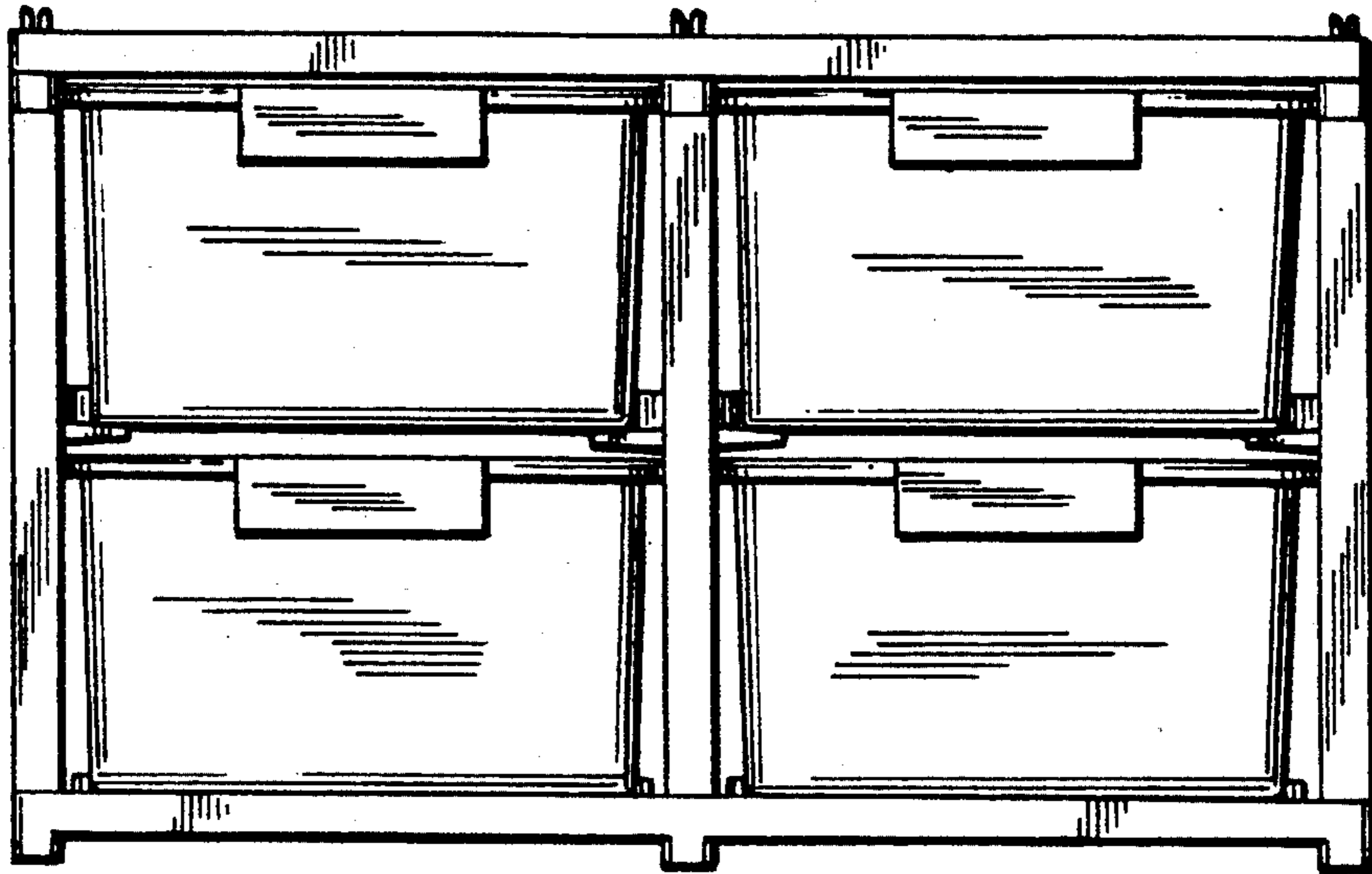


FIG. 3

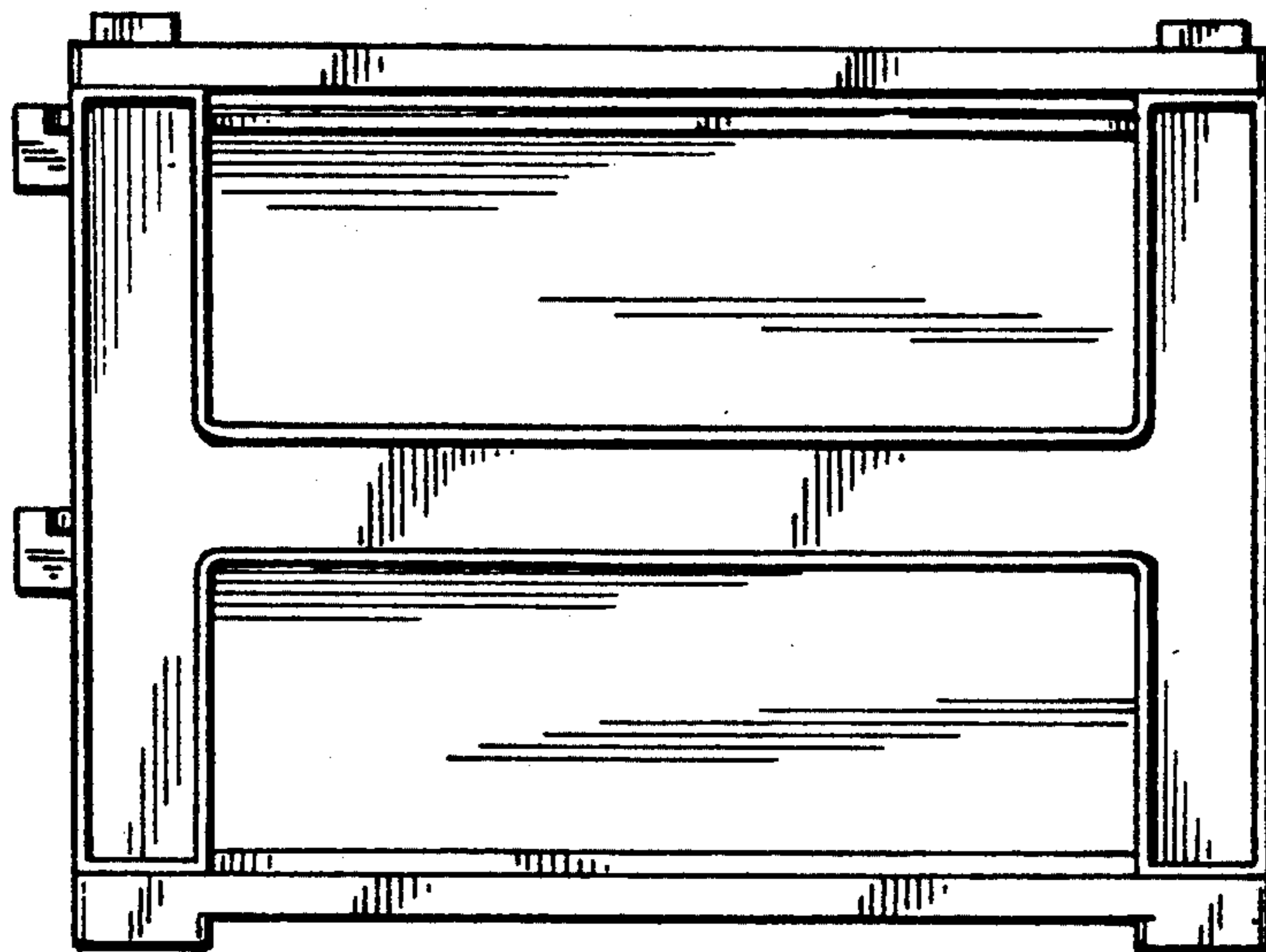


FIG. 4



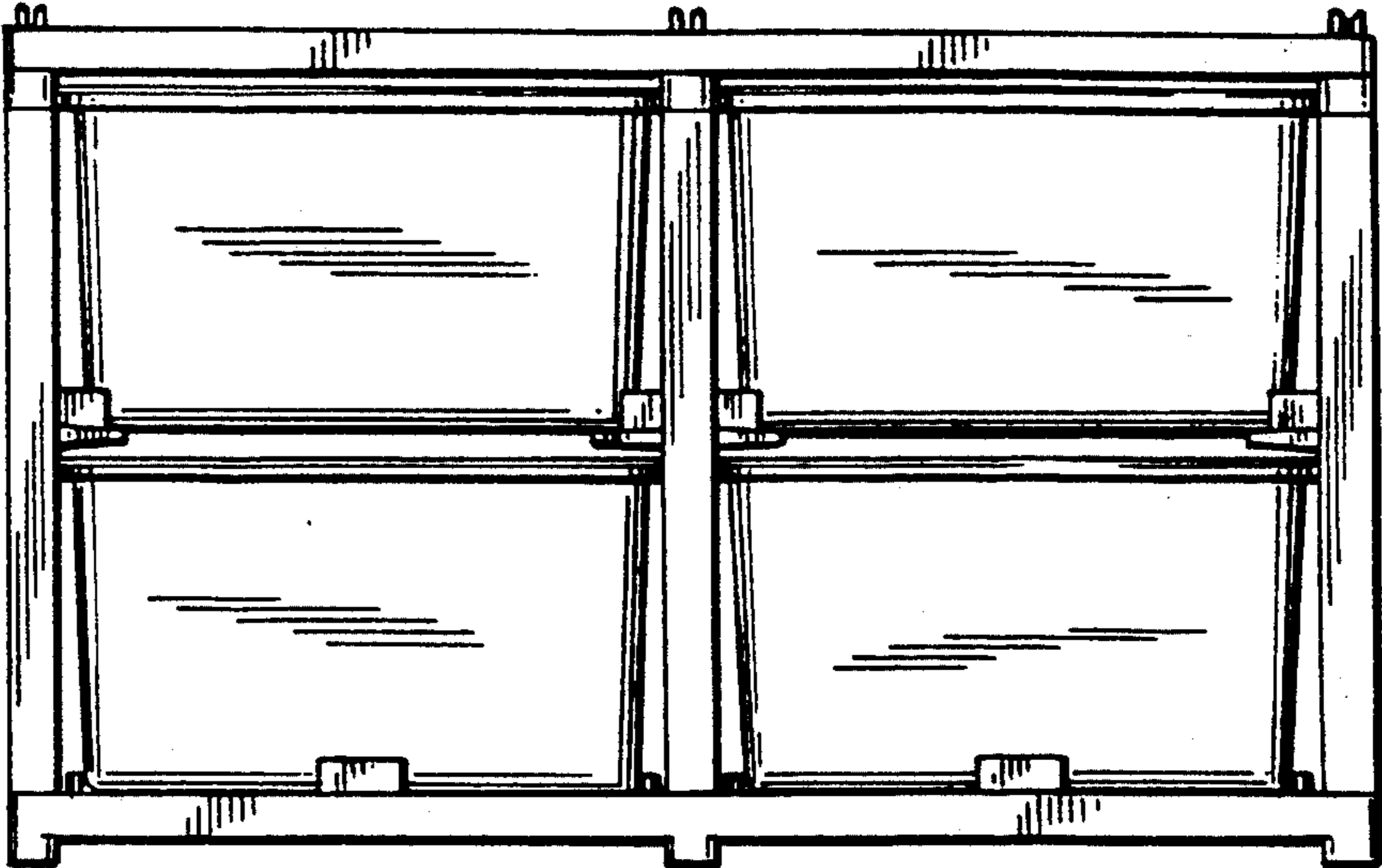


FIG.5

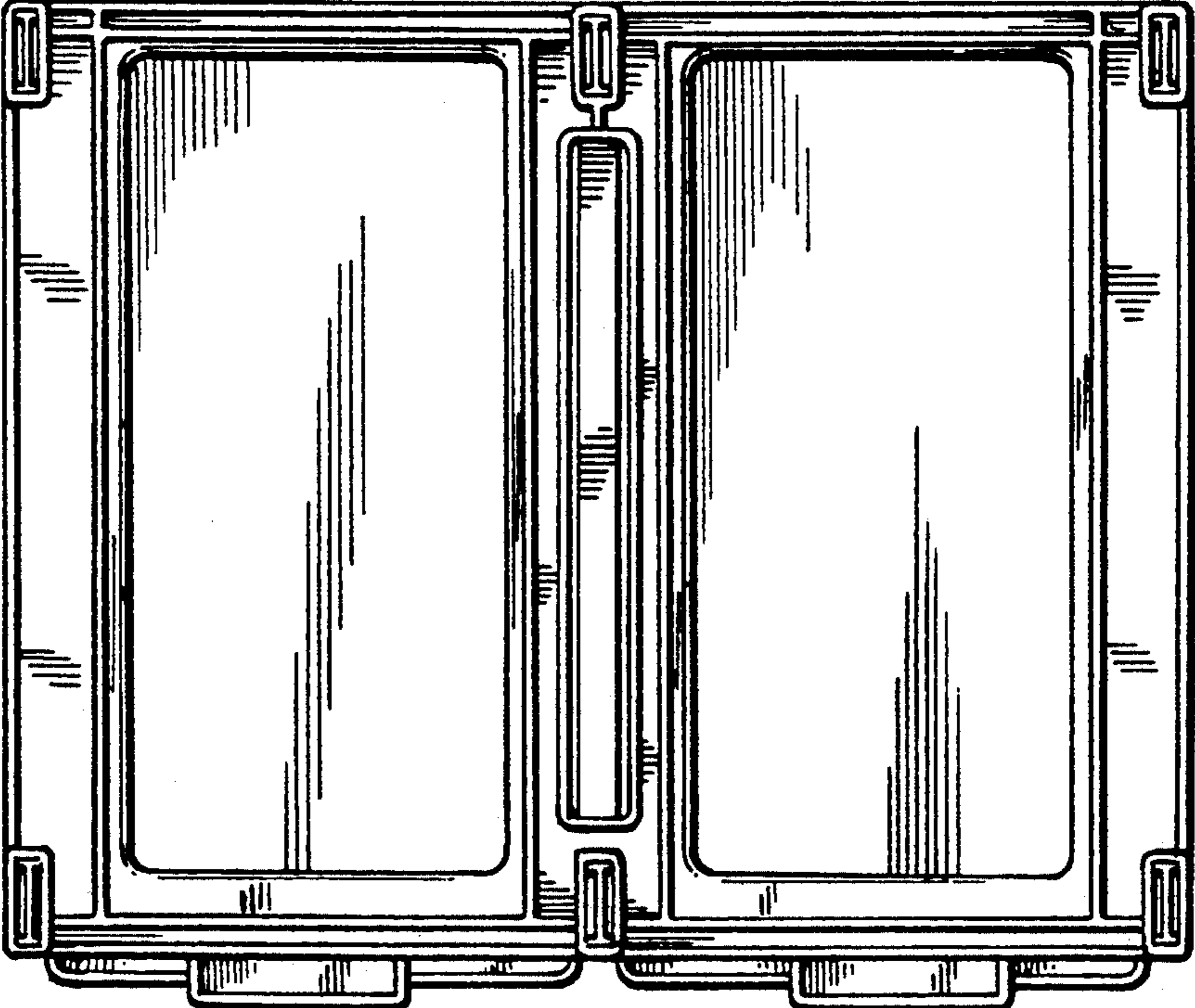


FIG.6

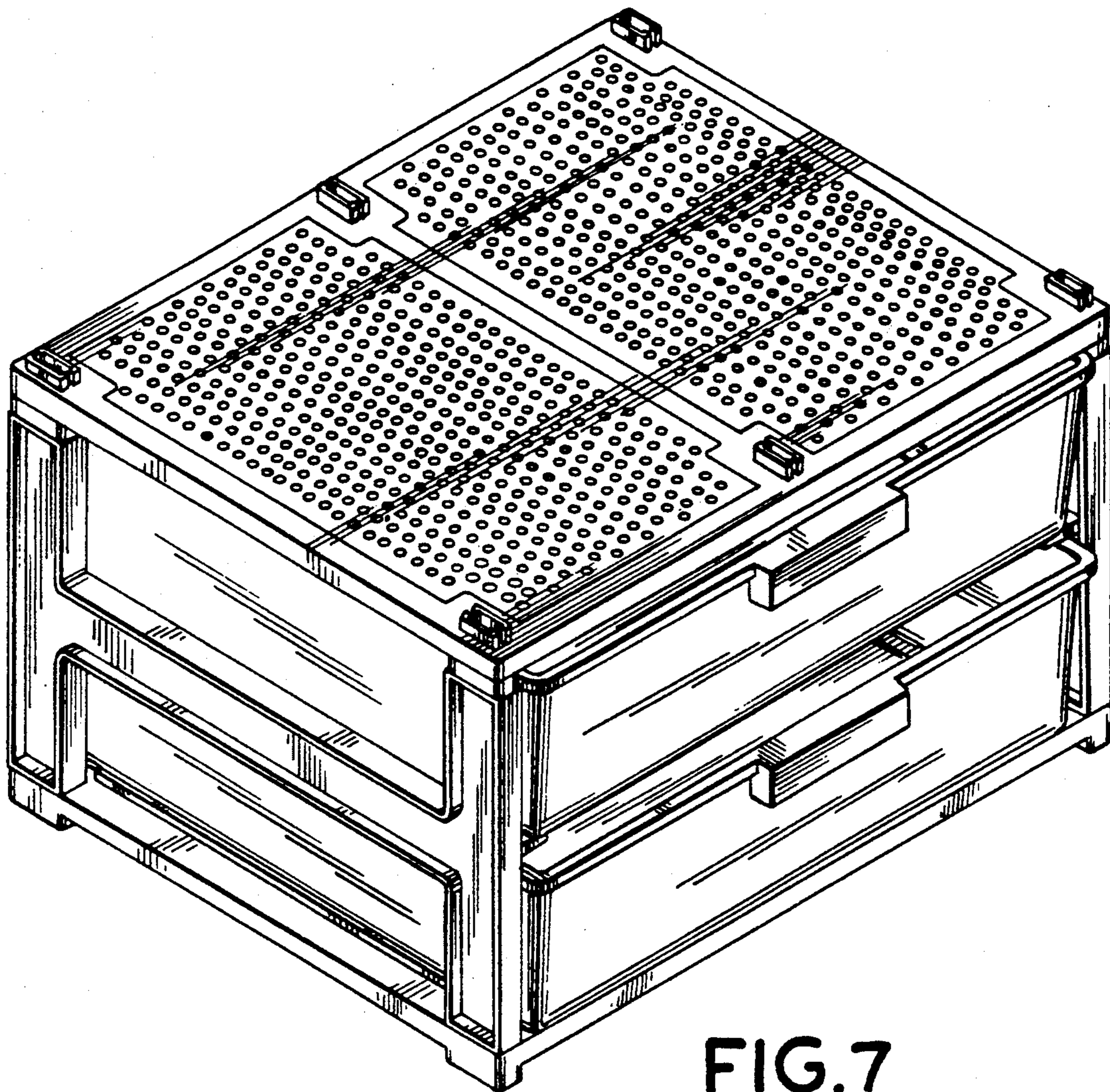


FIG. 7

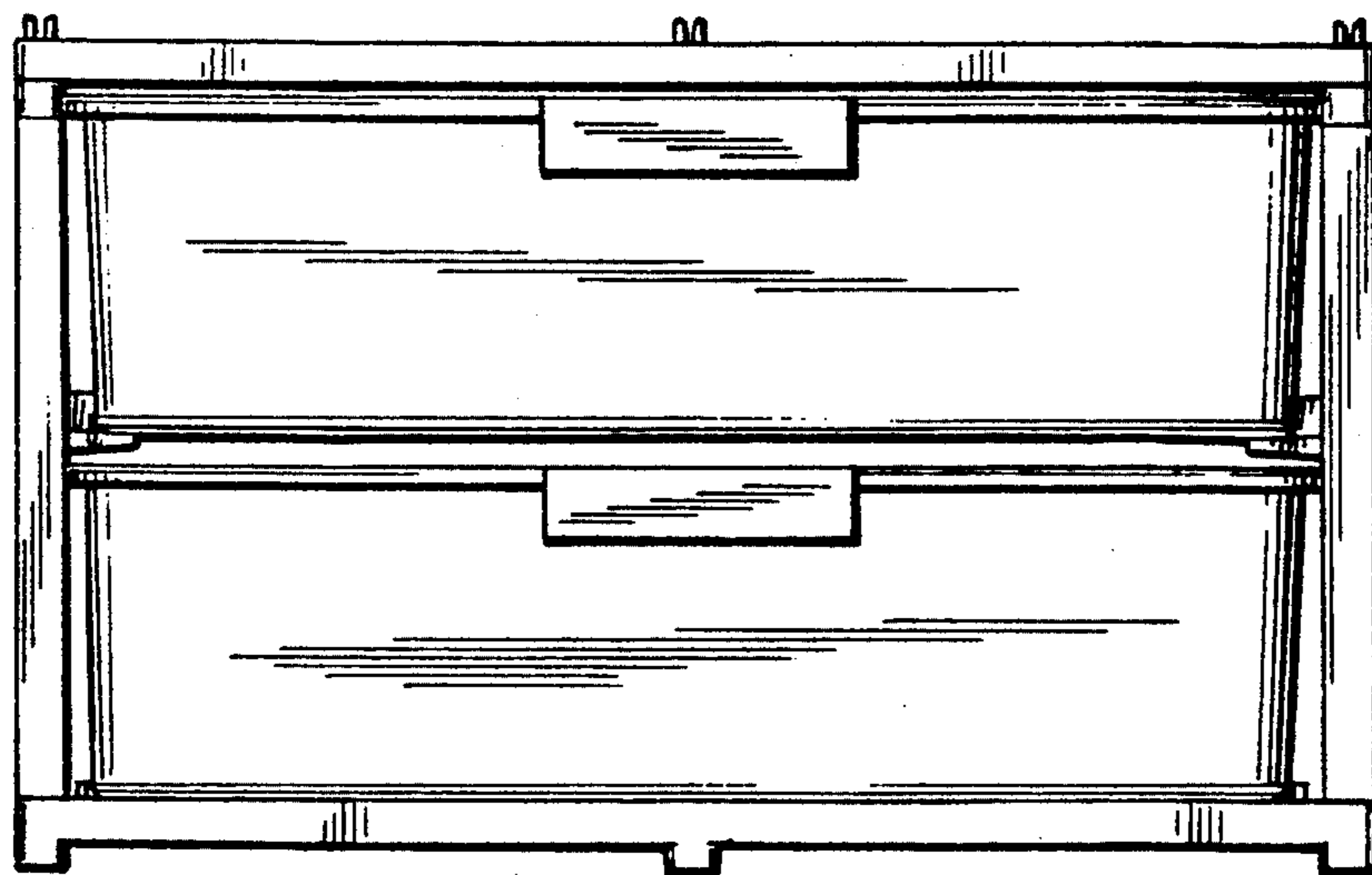


FIG. 8

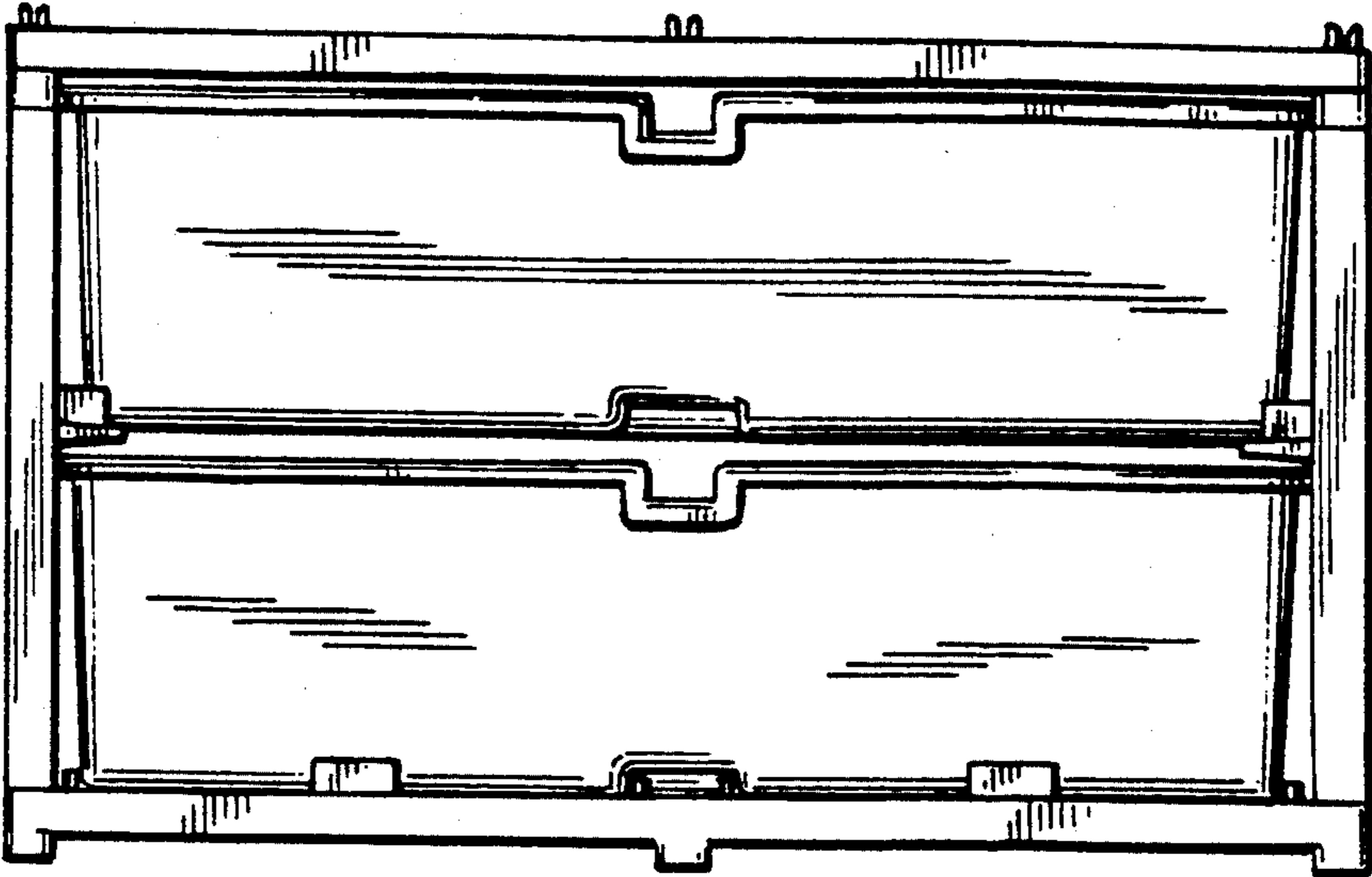


FIG.9

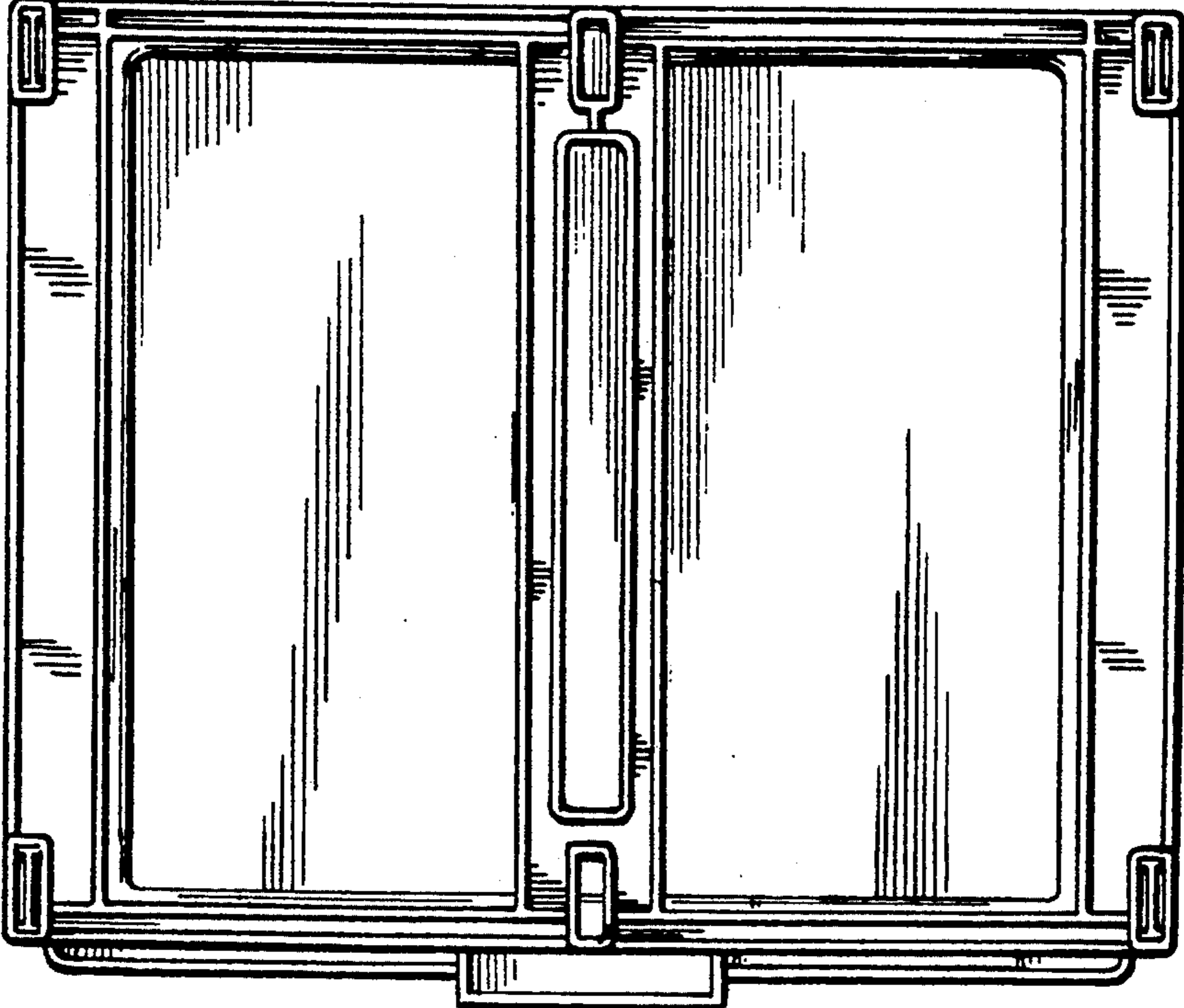


FIG.10



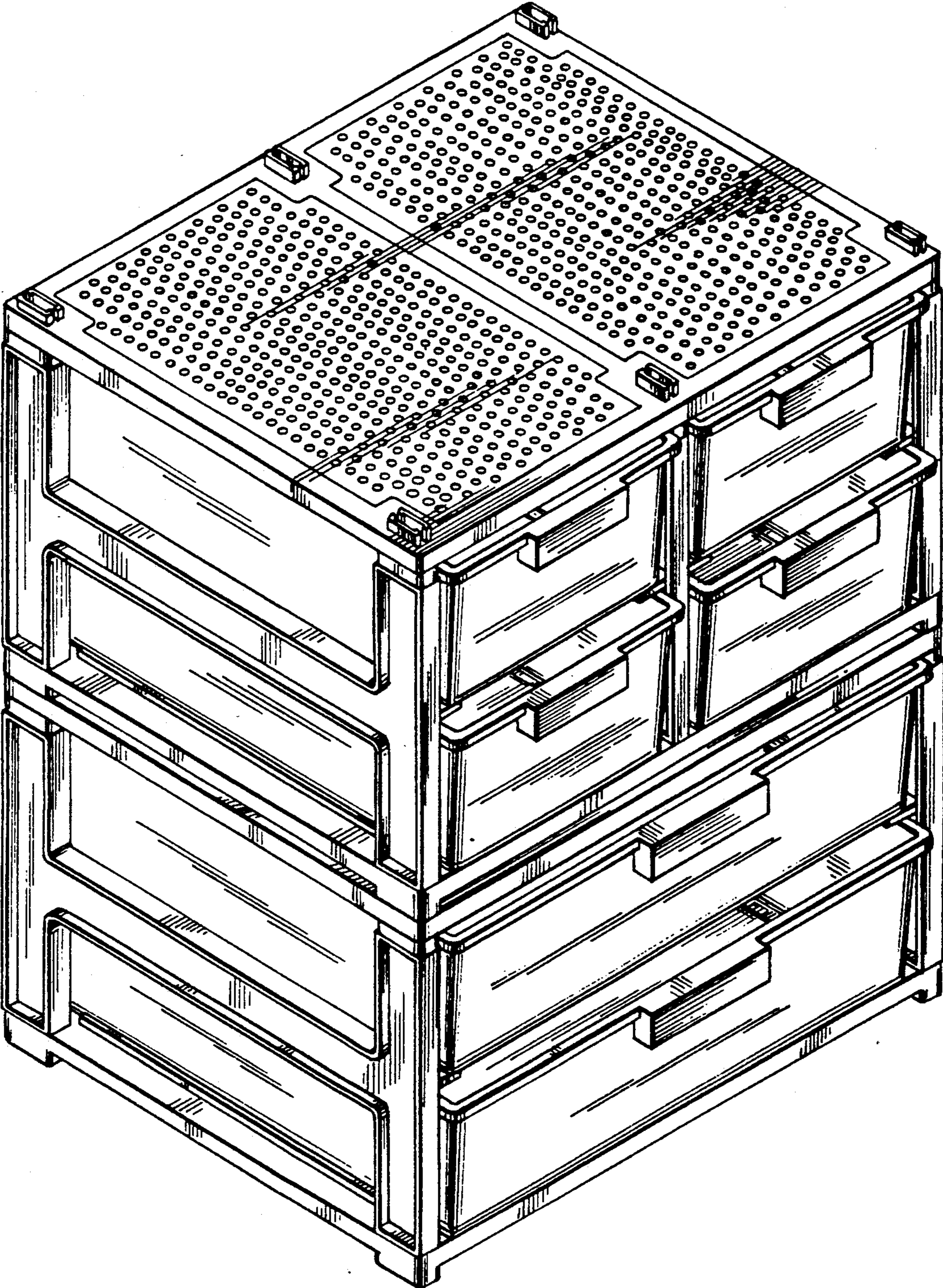


FIG. 11

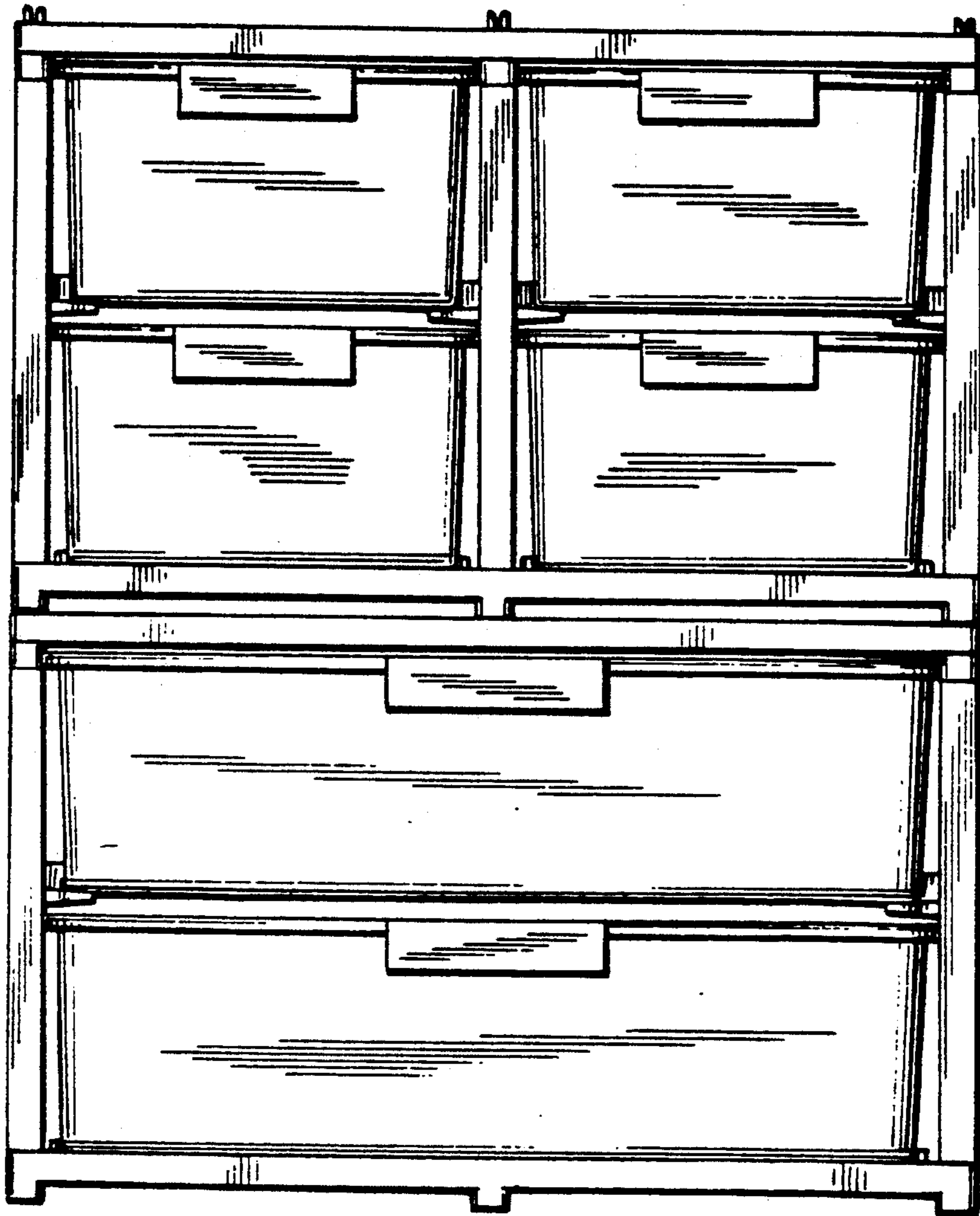


FIG.12