



US00D330812S

United States Patent [19]
Johnson

[11] **Patent Number: Des. 330,812**

[45] **Date of Patent: ** Nov. 10, 1992**

[54] **PLANT STAND**

D. 294,543 3/1988 Rekow D6/411

[76] **Inventor: Clifton L. Johnson, 2610 Pine Lake Dr., Greensboro, N.C. 27407**

OTHER PUBLICATIONS

Visual Merchandising and Store Design; Dec. 1987, p. 216; display cubes (upper left).

[**] **Term: 14 Years**

Primary Examiner—B. J. Bullock

[21] **Appl. No.: 526,333**

[57] **CLAIM**

[22] **Filed: May 21, 1990**

The ornamental design for a plant stand, as shown and described.

[52] **U.S. Cl. D6/405; D6/455**

[58] **Field of Search D6/405, 410, 411, 414, D6/455, 480; 211/71, 74; 47/39**

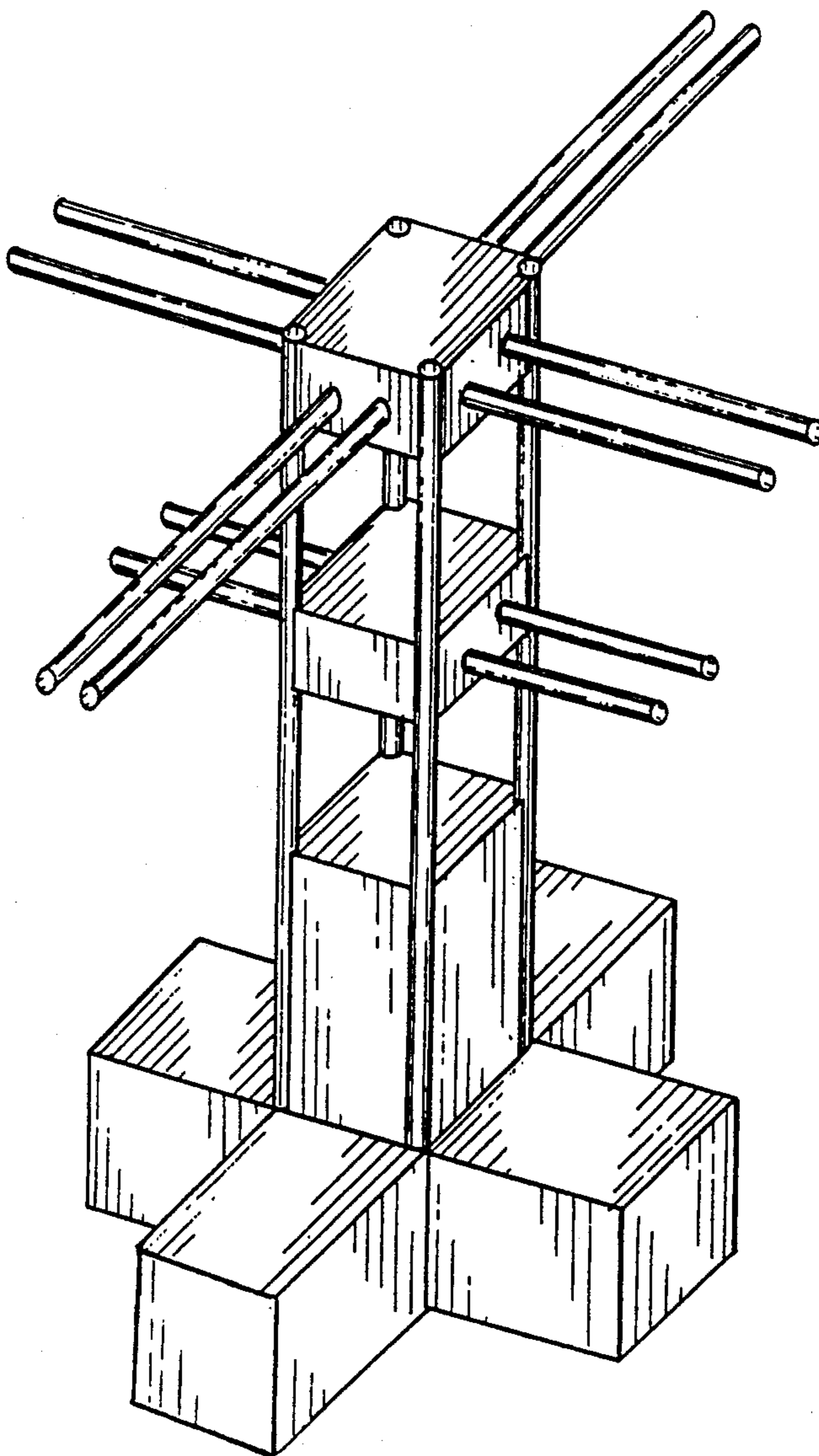
DESCRIPTION

[56] **References Cited**

U.S. PATENT DOCUMENTS

D. 20,154 9/1890 Dunne D6/455
D. 285,756 9/1986 Harper D6/405

FIG. 1 is a front, top, and right side perspective view of a plant stand embodying my new design, the rear and left side being a mirror image; and, FIG. 2 is a reduced top plan view thereof, the bottom being plain and unornamented.



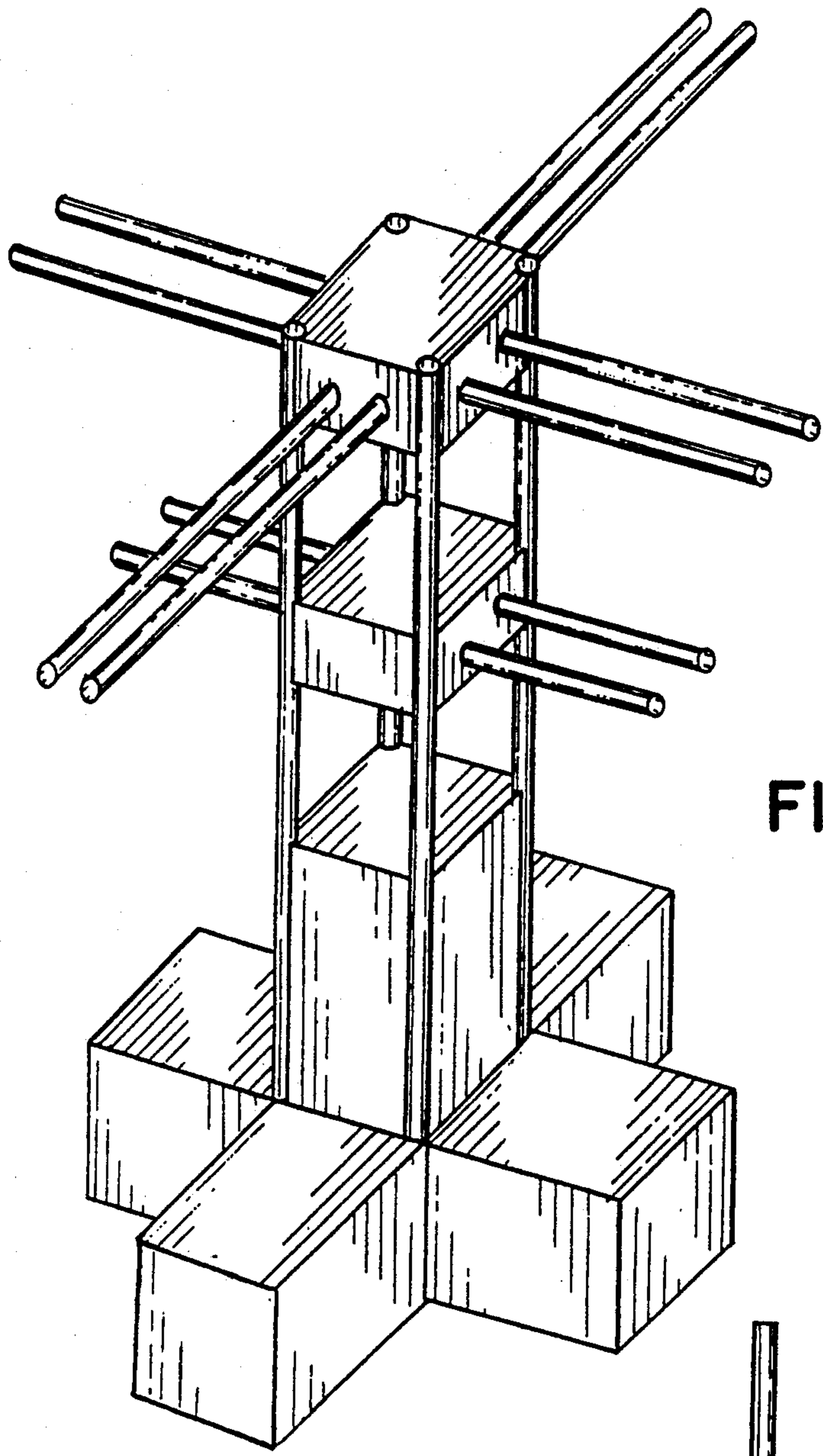


FIG. 1

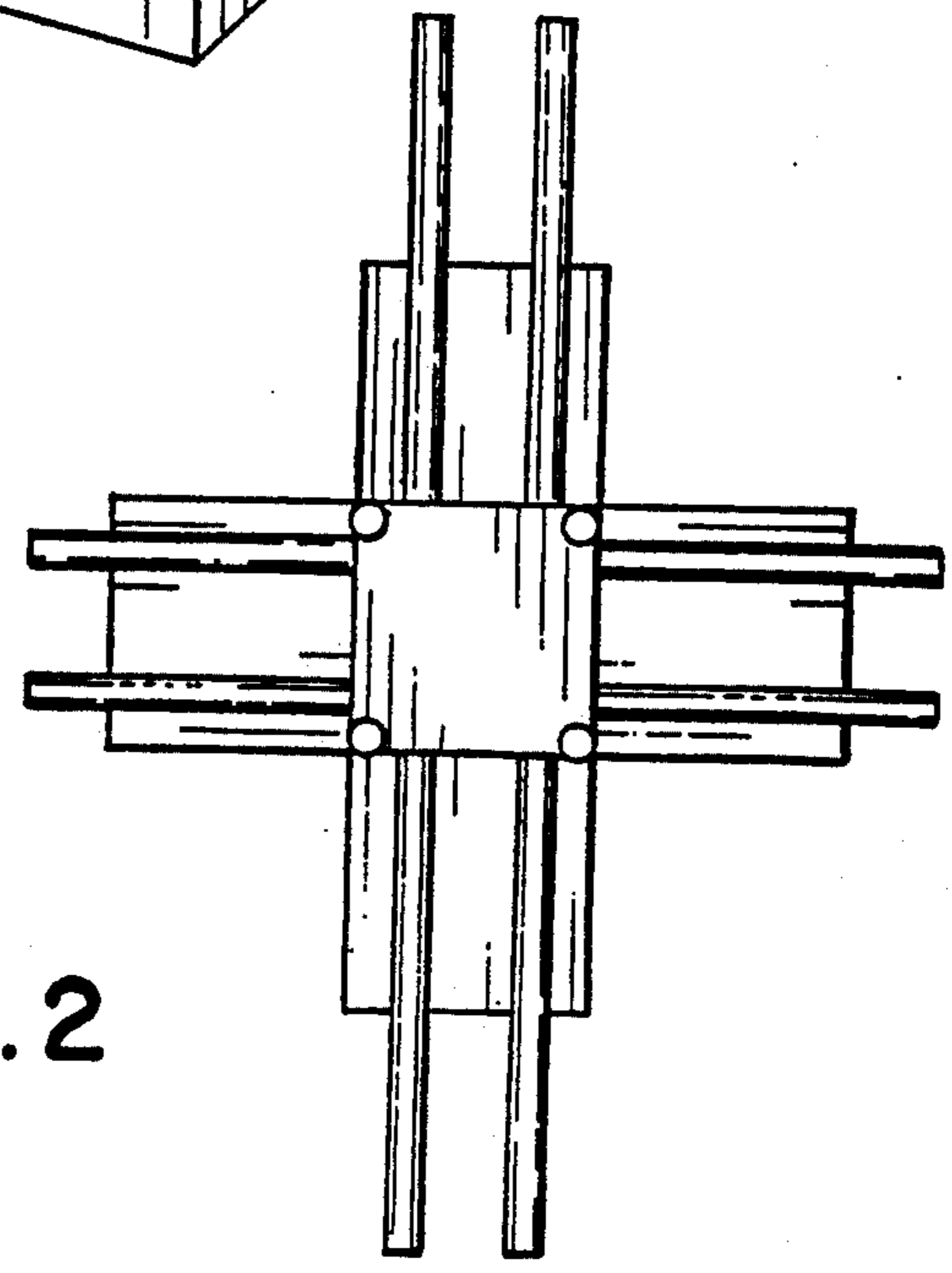


FIG. 2