



US00D330801S

United States Patent [19]

[11] Patent Number: **Des. 330,801**

McDonald

[45] Date of Patent: **** Nov. 10, 1992**

[54] **CUP SHAPED SHOE SOLE**

[75] Inventor: **Steve C. McDonald, Portland, Oreg.**

[73] Assignee: **Nike, Inc., Beaverton, Oreg.**

[**] Term: **14 Years**

[21] Appl. No.: **806,540**

[22] Filed: **Dec. 13, 1991**

[52] U.S. Cl. **D2/320**

[58] Field of Search **D2/264, 265, 274, 311, D2/317-322; 36/25 R, 28, 29, 32 R, 59 R, 59 C, 83, 84, 89, 102-107, 112-115, 132, 136, 137**

Nike Spring 1991 Footwear Catalog, pp. 82 and 83, published Jun., 1990.

Nike Fall 1990 Catalog, pp. 88 and 89, published Dec., 1989.

Nike Spring 1989 Footwear Catalog, pp. 80 and 81, published Jun., 1988.

Nike Fall 1986 Performance Catalog, pp. 84 and 85, published Jan., 1986.

Nike 1984 Shoe Show Catalog, one page.

Primary Examiner—Louis S. Zarfaz

Attorney, Agent, or Firm—Banner, Birch, McKie & Beckett

[57] CLAIM

The ornamental design for a cup shaped shoe sole, as shown and described.

[56] References Cited

U.S. PATENT DOCUMENTS

D. 77,183	12/1928	Oakley	D2/320
D. 193,501	9/1962	Doherty	.	
D. 266,371	10/1982	Stubblefield	D2/320
D. 272,772	2/1984	Kohno	.	
D. 287,304	12/1986	Peterson	.	
D. 296,151	6/1988	Mourad	.	
296,519	4/1884	Brooks	.	
D. 316,175	4/1991	Legacki	D2/320
D. 319,535	9/1991	Hatfield	D2/320
D. 321,974	12/1991	Hatfield	D2/320
D. 321,977	12/1991	Kilgore	D2/320
D. 323,418	1/1992	Hatfield	D2/314
D. 323,423	1/1992	Rogers	D2/320
D. 323,740	2/1992	Mitsui	D2/320
D. 324,764	3/1992	Allen	D2/320
2,394,454	2/1946	Kappeler	.	
2,433,303	12/1947	Spini	.	
2,688,756	6/1959	Parsons	.	
2,722,756	11/1955	Ecclesine	.	
2,853,809	9/1958	Bianchi	.	
3,169,327	2/1965	Fukuoka	D2/320 X
4,641,438	2/1987	Laird et al.	36/59 C

OTHER PUBLICATIONS

Nike Spring 1992 Footwear Catalog, pp. 84 and 85, published May, 1991.

Nike Fall 1991 Footwear Catalog, pp. 72 and 73, published Dec., 1990.

DESCRIPTION

FIG. 1 is a bottom plan view of a cup shaped shoe sole showing my new design;

FIG. 2 is a partial cross-section of the cup shaped shoe sole taken generally along the line 2—2 in FIG. 1;

FIG. 3 is a partial cross-section of the cup shaped shoe sole taken generally along the line 3—3 in FIG. 1;

FIG. 4 is a partial cross-section of the cup shaped shoe sole taken generally along the line 4—4 in FIG. 1;

FIG. 5 is a side elevational view of one side of the cup shaped shoe sole of FIG. 1;

FIG. 6 is a side elevational view of the other side of the cup shaped shoe sole of FIG. 1;

FIG. 7 is a partial cross-section taken generally along the line 7—7 in FIG. 6;

FIG. 8 is a front elevational view of the cup shaped shoe sole of FIG. 1;

FIG. 9 is a rear elevational view of the cup shaped shoe sole of FIG. 1;

FIG. 10 is a partial cross-section taken generally along the line 10—10 in FIG. 5;

FIG. 11 is a partial cross-section taken generally along the line 11—11 in FIG. 5; and,

FIG. 12 is a partial cross-section taken generally along the line 12—12 in FIG. 5.

The broken line showing of a shoe upper in FIG. 5, 6, 8 and 9 is for illustrative purposes only and forms no part of the claimed design.

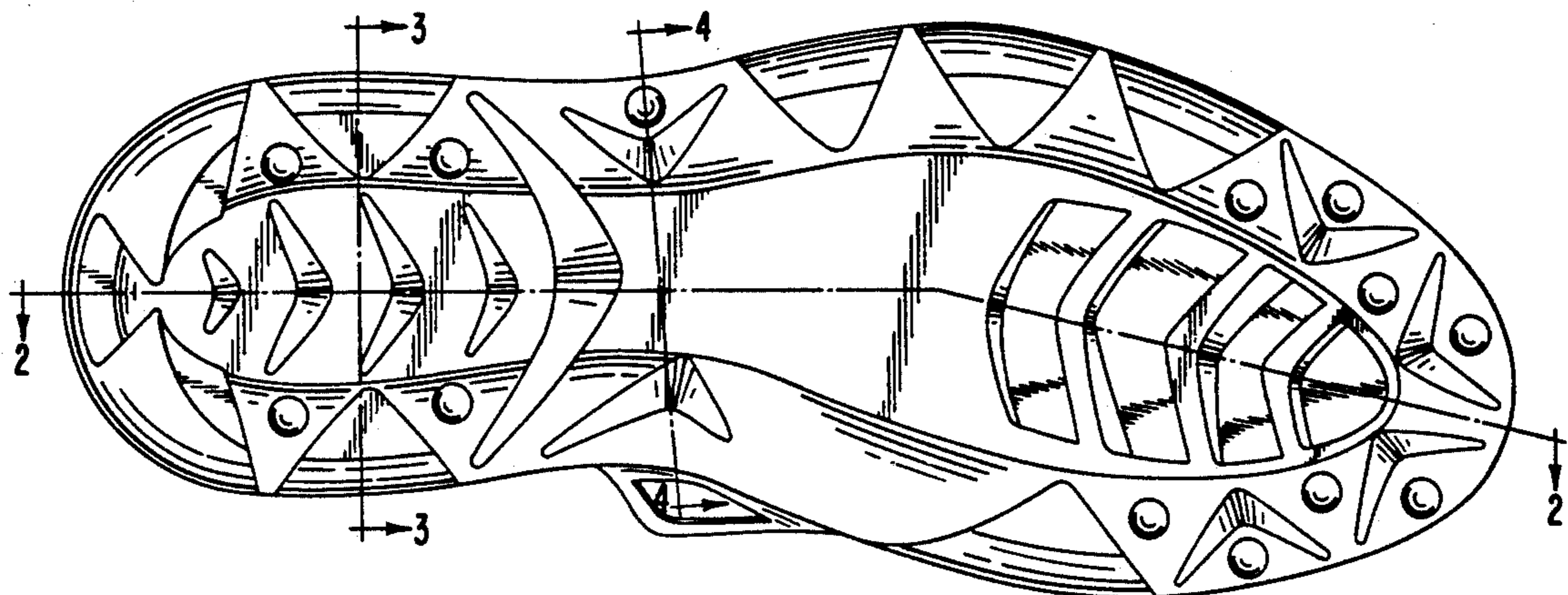


FIG. 1

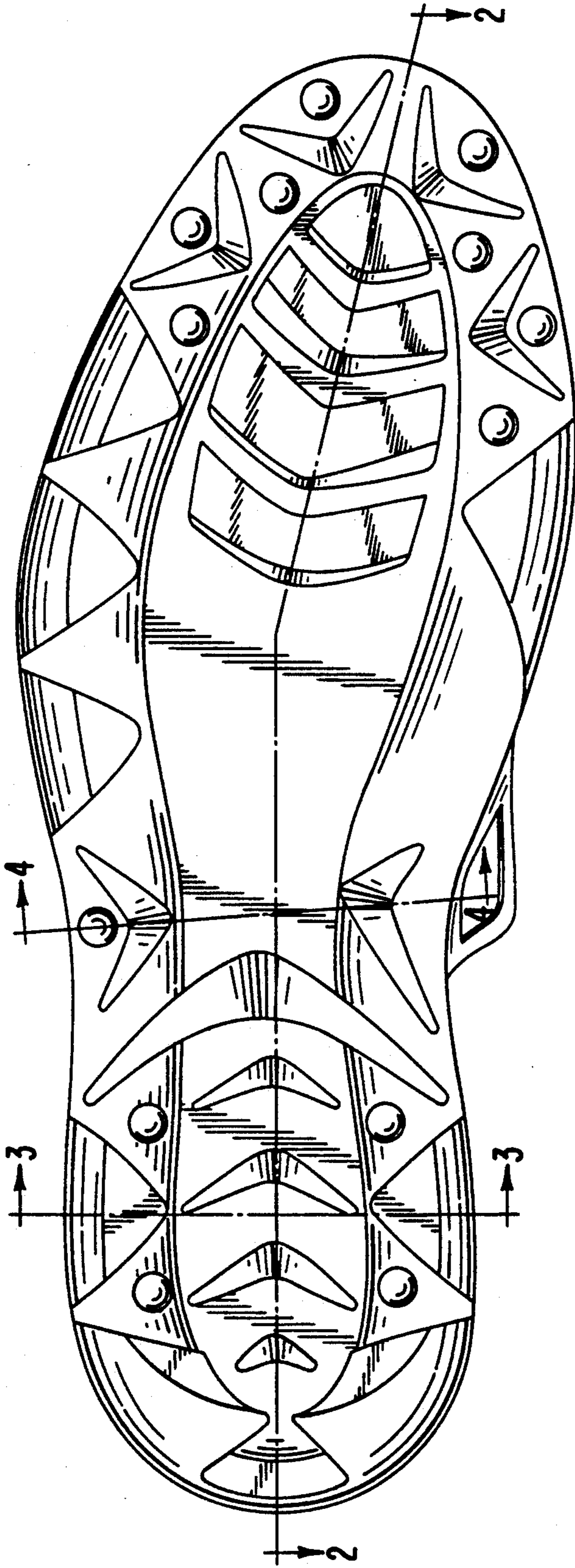


FIG. 2

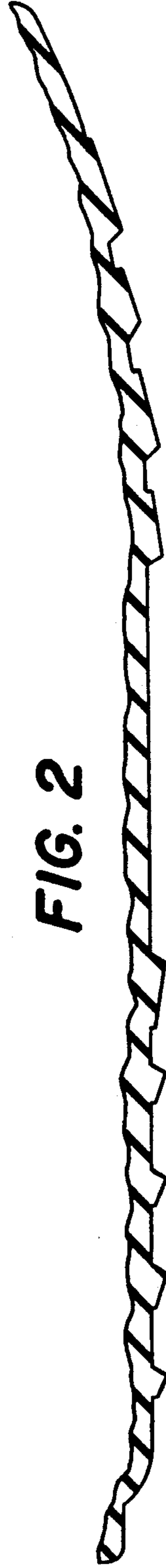


FIG. 3



FIG. 4



FIG. 5

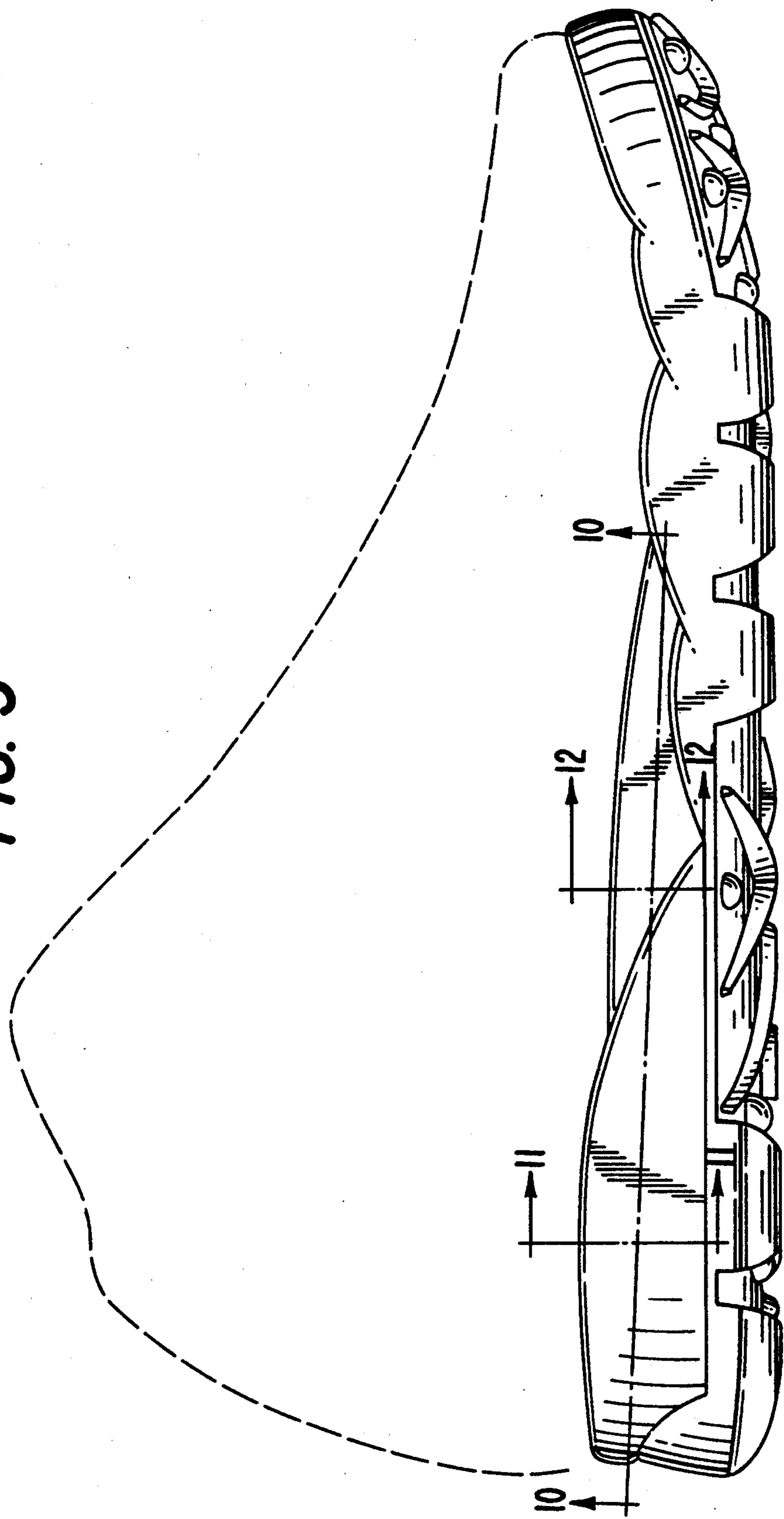


FIG. 6

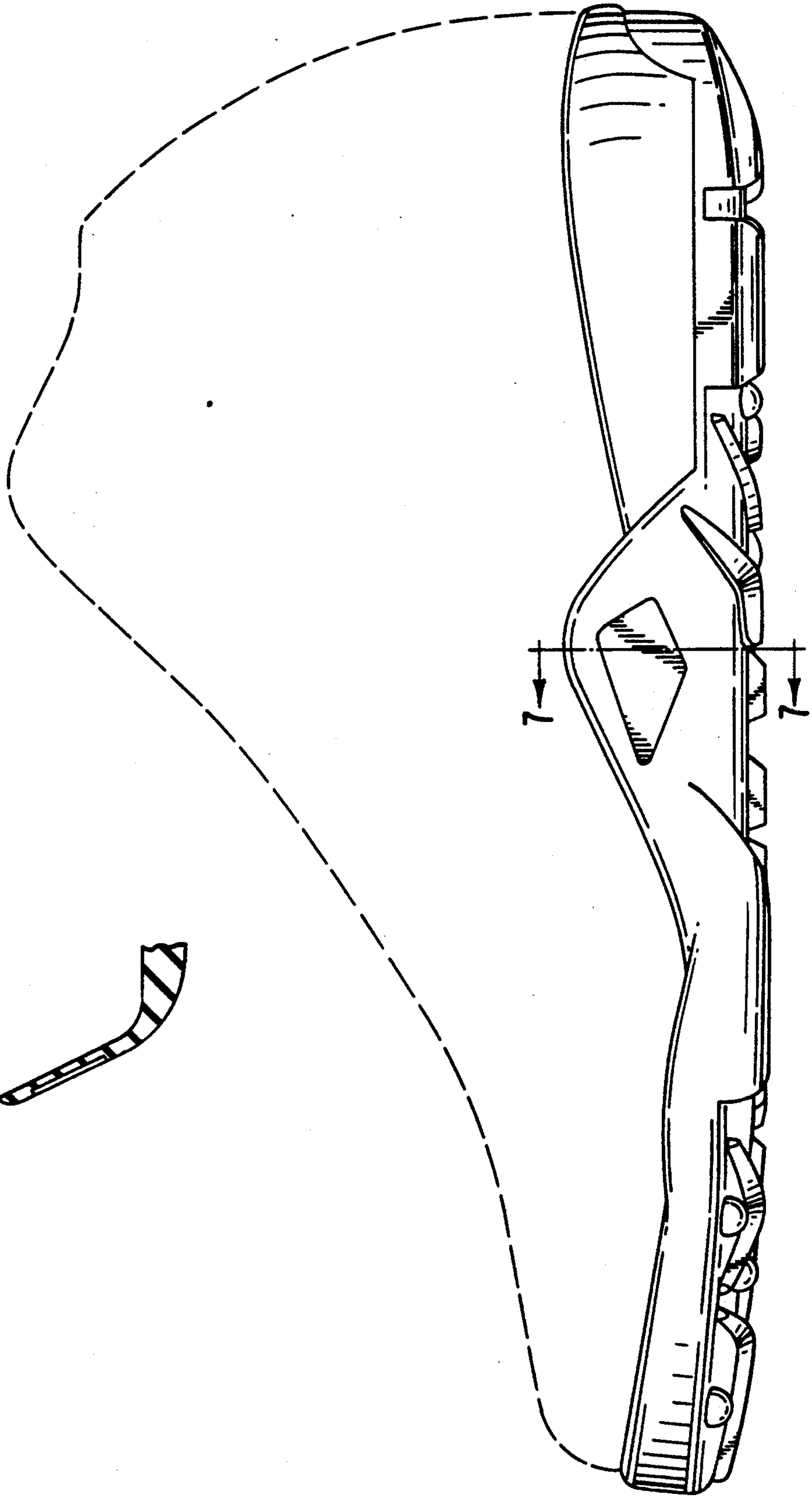


FIG. 7

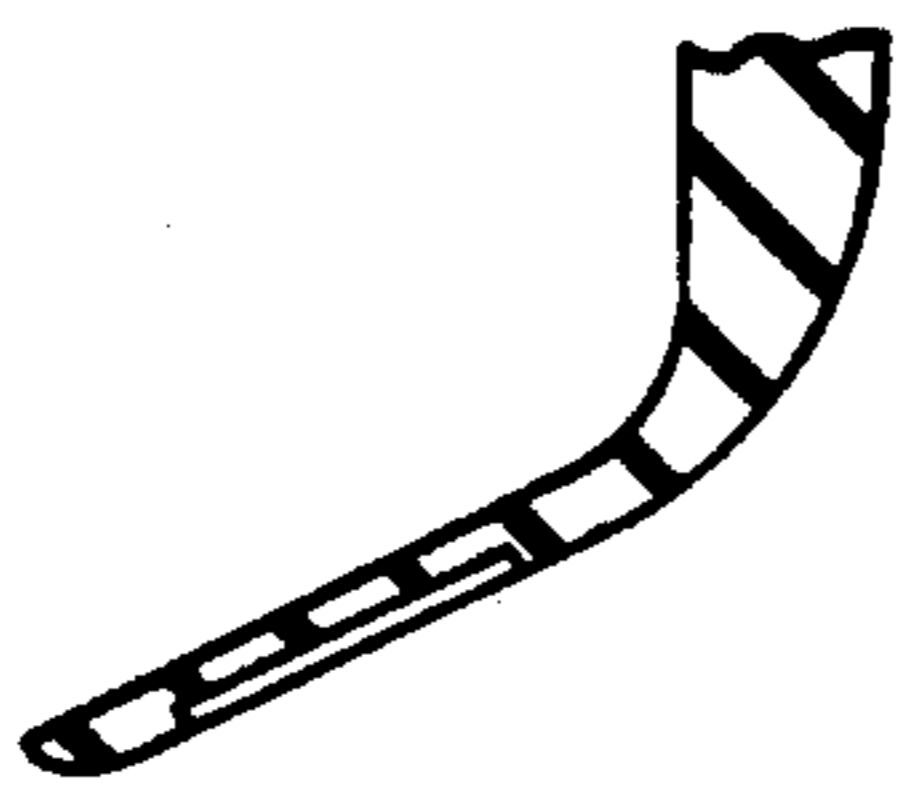


FIG. 9

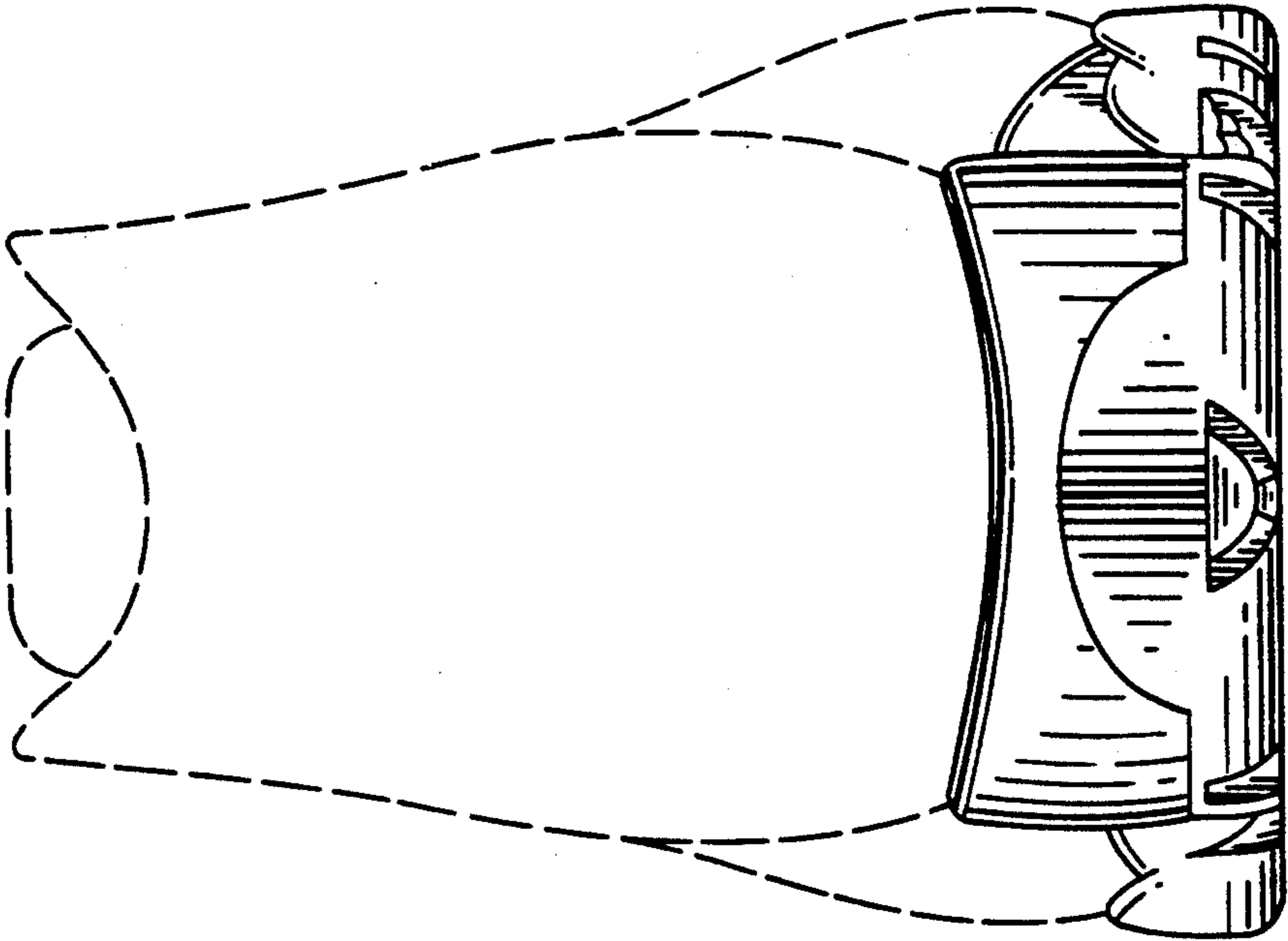


FIG. 8

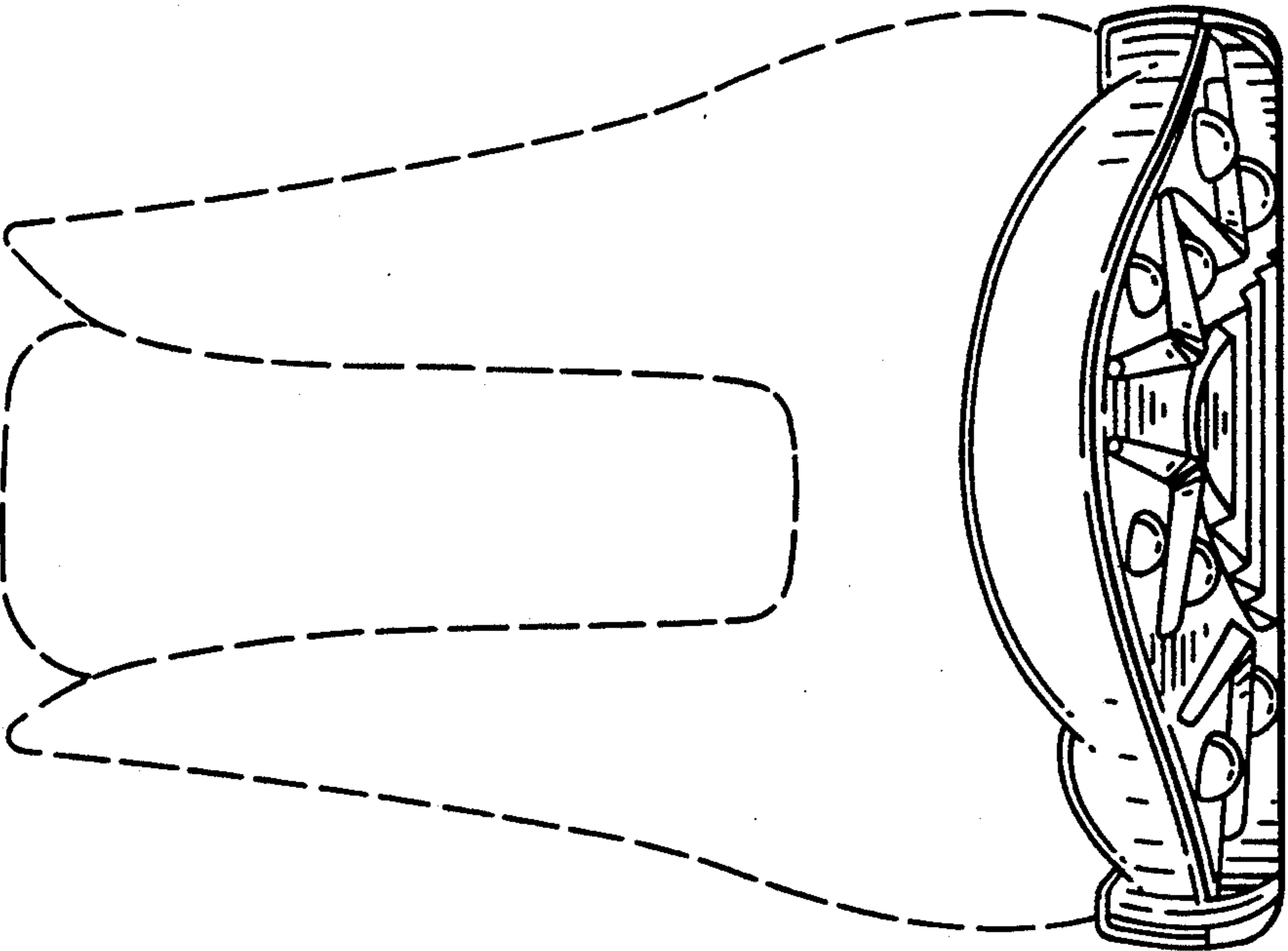


FIG. 10

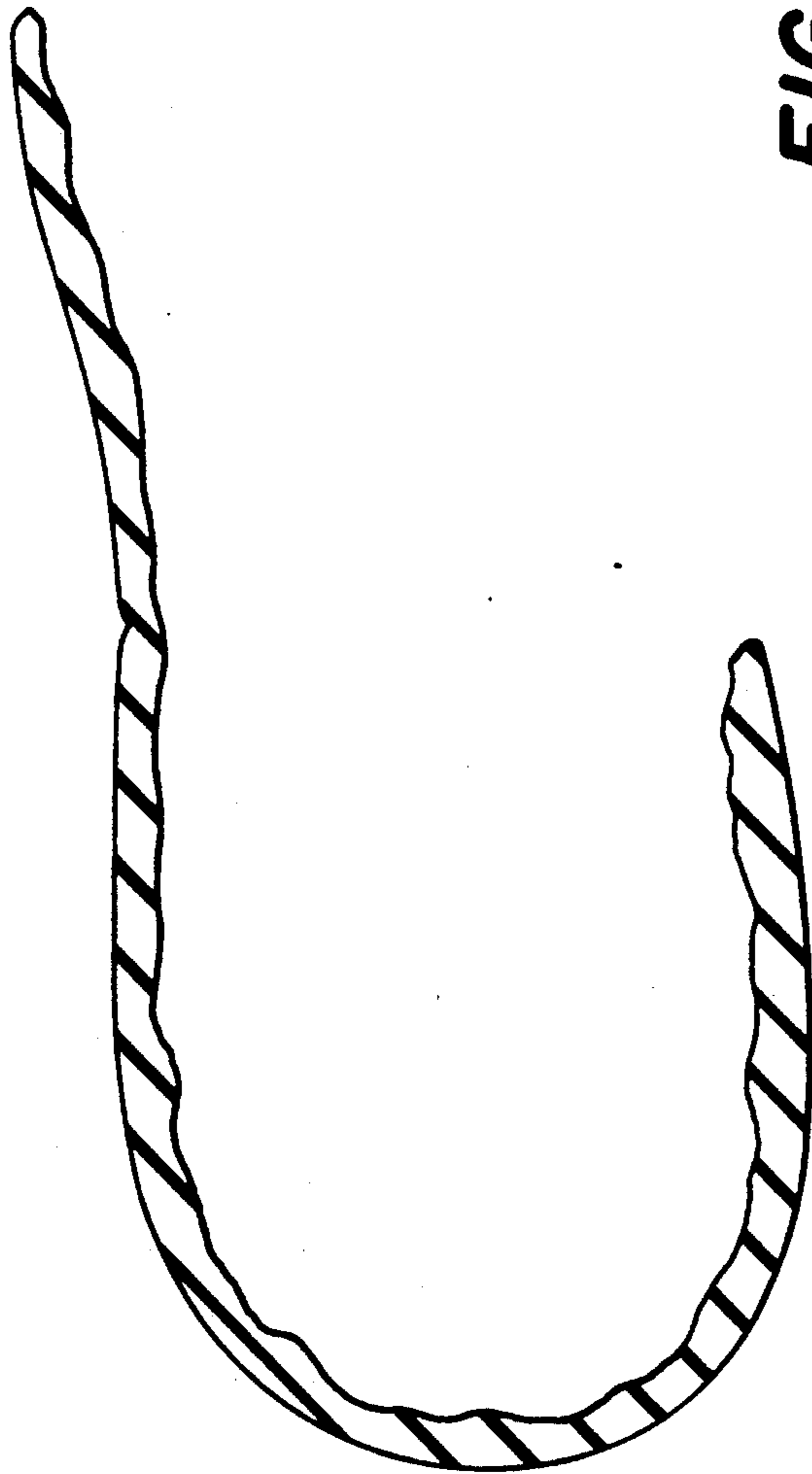


FIG. 11



FIG. 12

