



US00D330793S

**United States Patent** [19]  
**Hampton**

[11] **Patent Number: Des. 330,793**

[45] **Date of Patent: \*\* Nov. 3, 1992**

[54] **COMBINED MAILBOX AND SUPPORT**

[76] **Inventor: Ralph Hampton, 3837 Sheraton St.,  
Winston-Salem, N.C. 27105**

[\*\*] **Term: 14 Years**

[21] **Appl. No.: 464,779**

[22] **Filed: Jan. 16, 1990**

[52] **U.S. Cl. .... D99/32**

[58] **Field of Search ..... D99/32; 232/17, 38,  
232/39**

4,190,192 2/1980 Cornwell et al. .... 232/17  
4,498,621 2/1985 Diamond ..... 232/35  
4,509,675 4/1985 Siff ..... 232/17  
5,031,828 7/1991 Fischer ..... 232/39

*Primary Examiner—Donald P. Walsh*  
*Assistant Examiner—J. H. Musgrove*  
*Attorney, Agent, or Firm—Terry M. Gernstein*

[57] **CLAIM**

The ornamental design for a combined mailbox and support, as shown and described.

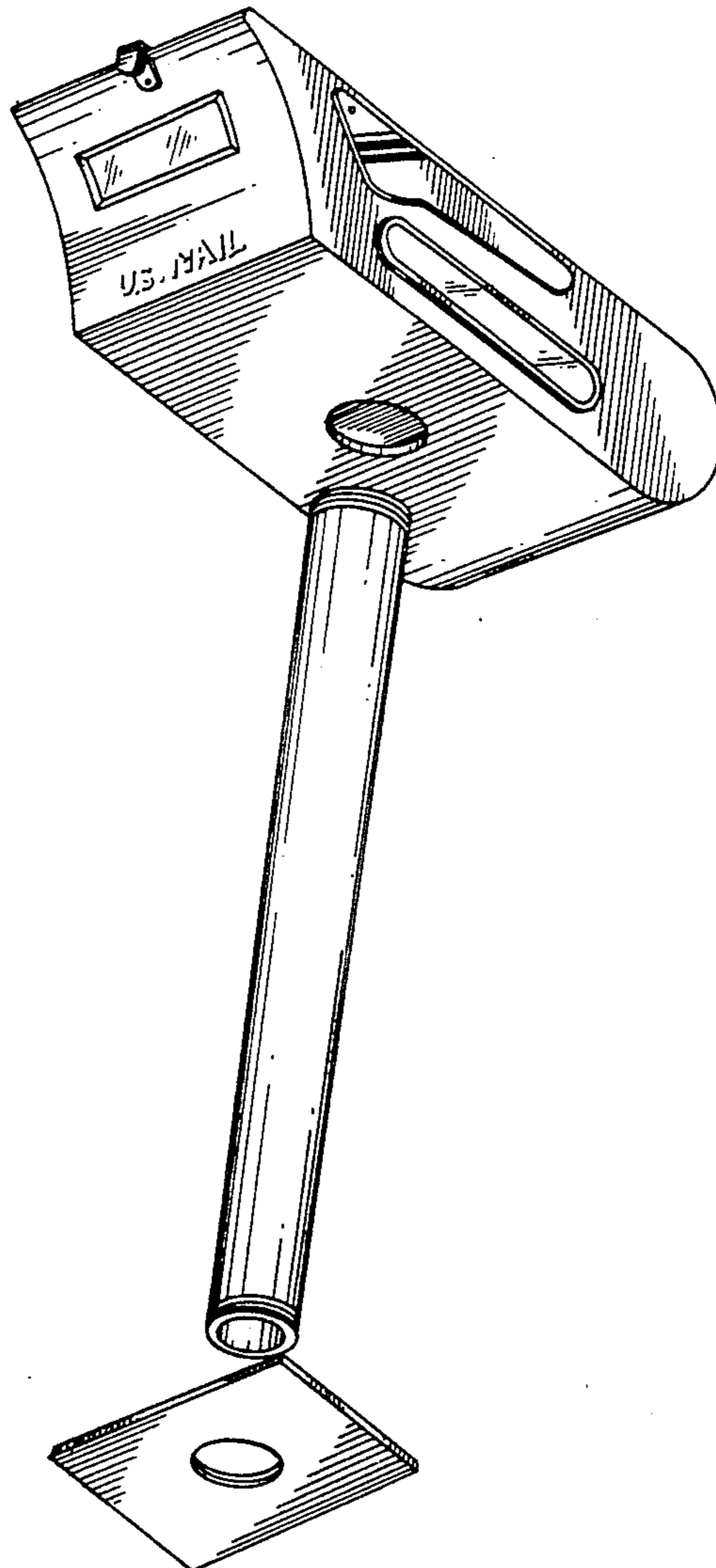
**DESCRIPTION**

FIG. 1 is an exploded bottom, front and right side perspective view of a combined mailbox and support showing my new design;  
FIG. 2 is a right side elevational view thereof;  
FIG. 3 is a left side elevational view thereof;  
FIG. 4 is a front elevational view thereof; and,  
FIG. 5 is a top plan view thereof.

[56] **References Cited**

**U.S. PATENT DOCUMENTS**

D. 110,430 7/1938 Geis ..... D99/32  
D. 182,607 4/1958 Loewenstein ..... D99/32  
3,516,600 6/1970 Andis ..... 232/17  
3,667,405 6/1972 Roache ..... 109/51  
3,874,583 4/1975 Moll ..... 232/17



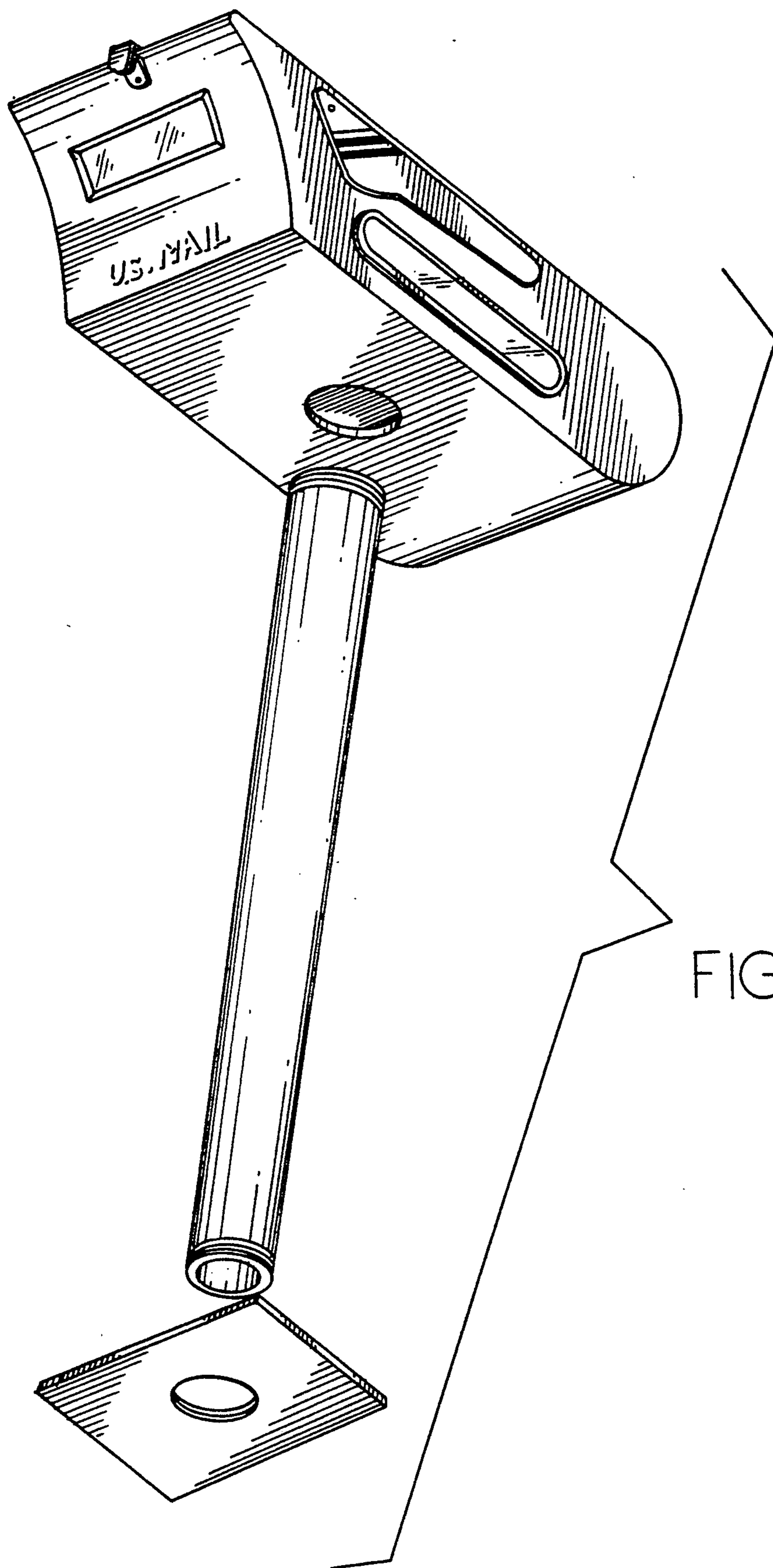


FIG. 1.

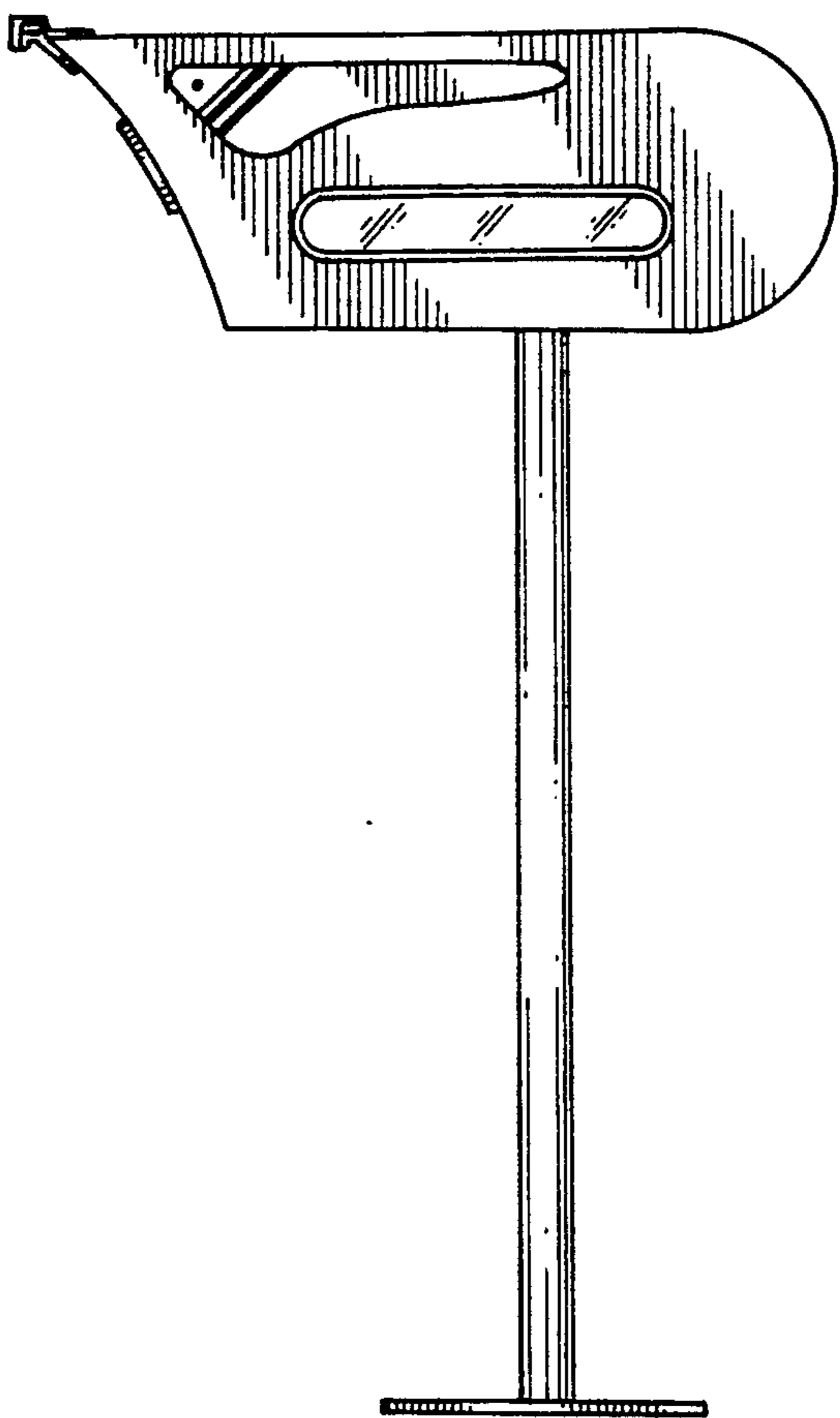


FIG. 2.

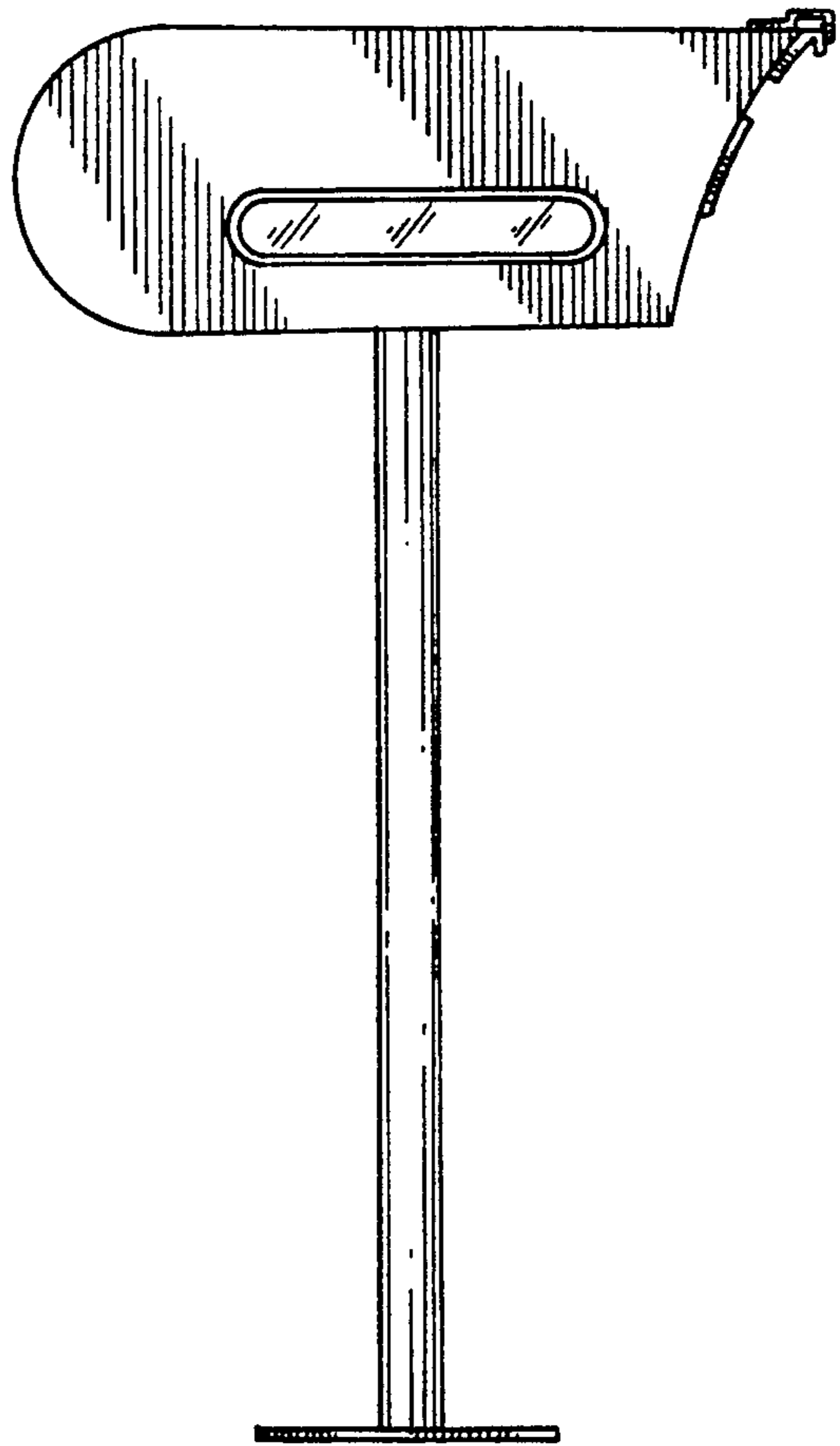


FIG. 3.

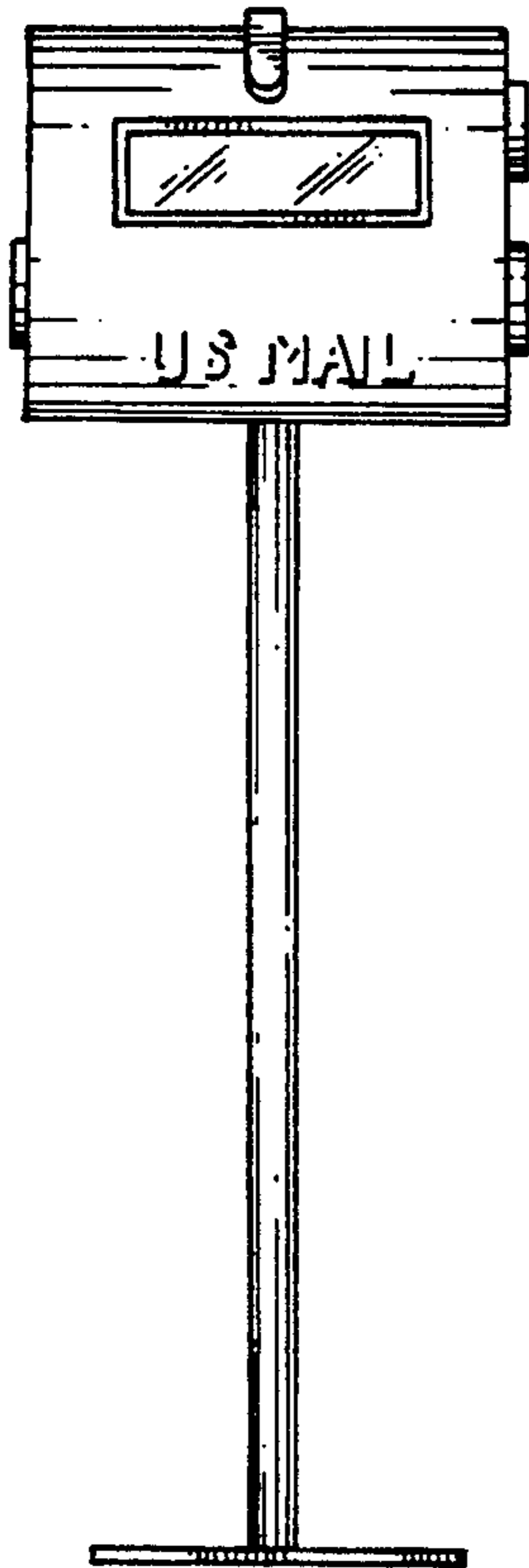


FIG. 4.

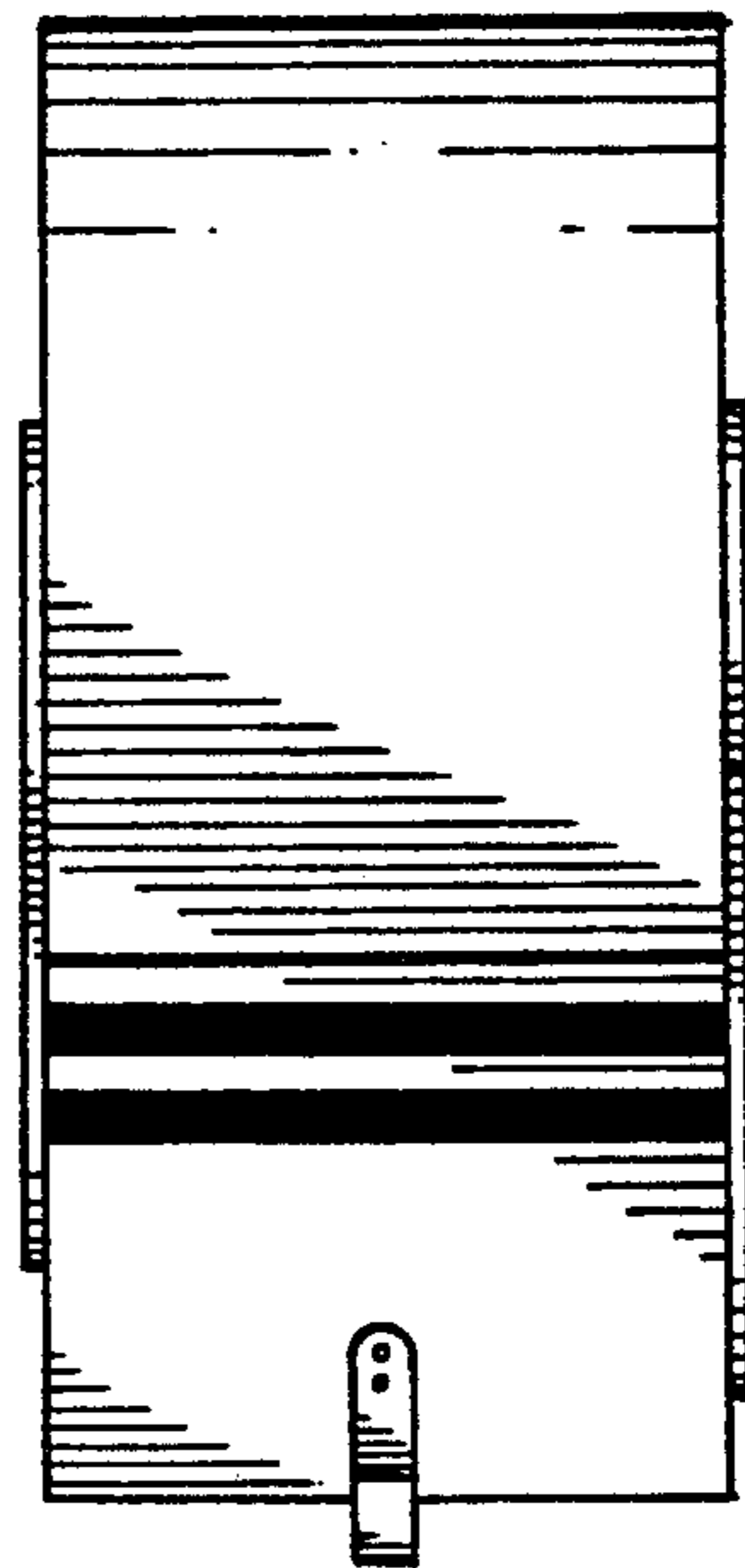


FIG. 5.