



US00D330790S

United States Patent [19]

[11] Patent Number: **Des. 330,790**

Winings

[45] Date of Patent: **** Nov. 3, 1992**

[54] HYDRAULIC TRACTOR HOIST

[76] Inventor: **Bradley W. Winings, R.R. #1, Box 124, Watkins, Minn. 55389**

[**] Term: **14 Years**

[21] Appl. No.: **564,952**

[22] Filed: **Aug. 9, 1990**

[52] U.S. Cl. **D34/33**

[58] Field of Search **D34/33, 31; 254/420, 254/424, 418-419, 423; D15/28**

[56] References Cited

U.S. PATENT DOCUMENTS

D. 143,168	12/1945	Rockwell	D34/31
D. 158,695	5/1950	Siedenburg	D34/31
D. 191,319	12/1961	Singletary	D34/33
D. 204,944	5/1966	Bair	D34/31

OTHER PUBLICATIONS

Picture Book of Symbols, 1956, p. 18, Gemini Zodiac Sign, circled on left of page.

Primary Examiner—Wallace R. Burke

Assistant Examiner—H. Baynham

Attorney, Agent, or Firm—Leon Gilden

[57] CLAIM

The ornamental design for a hydraulic tractor hoist, as shown and described.

DESCRIPTION

FIG. 1 is a front elevational view of the hydraulic tractor hoist showing my new design;
 FIG. 2 is a rear elevational view thereof;
 FIG. 3 is an enlarged left side elevational view thereof;
 FIG. 4 is an enlarged right side elevational view thereof;
 FIG. 5 is a top plan view thereof;
 FIG. 6 is a bottom plan view thereof; and,
 FIG. 7 is a perspective view thereof.
 The cables disclosed in FIGS. 1-5 and 7 are shown broken away to indicate indeterminate length.

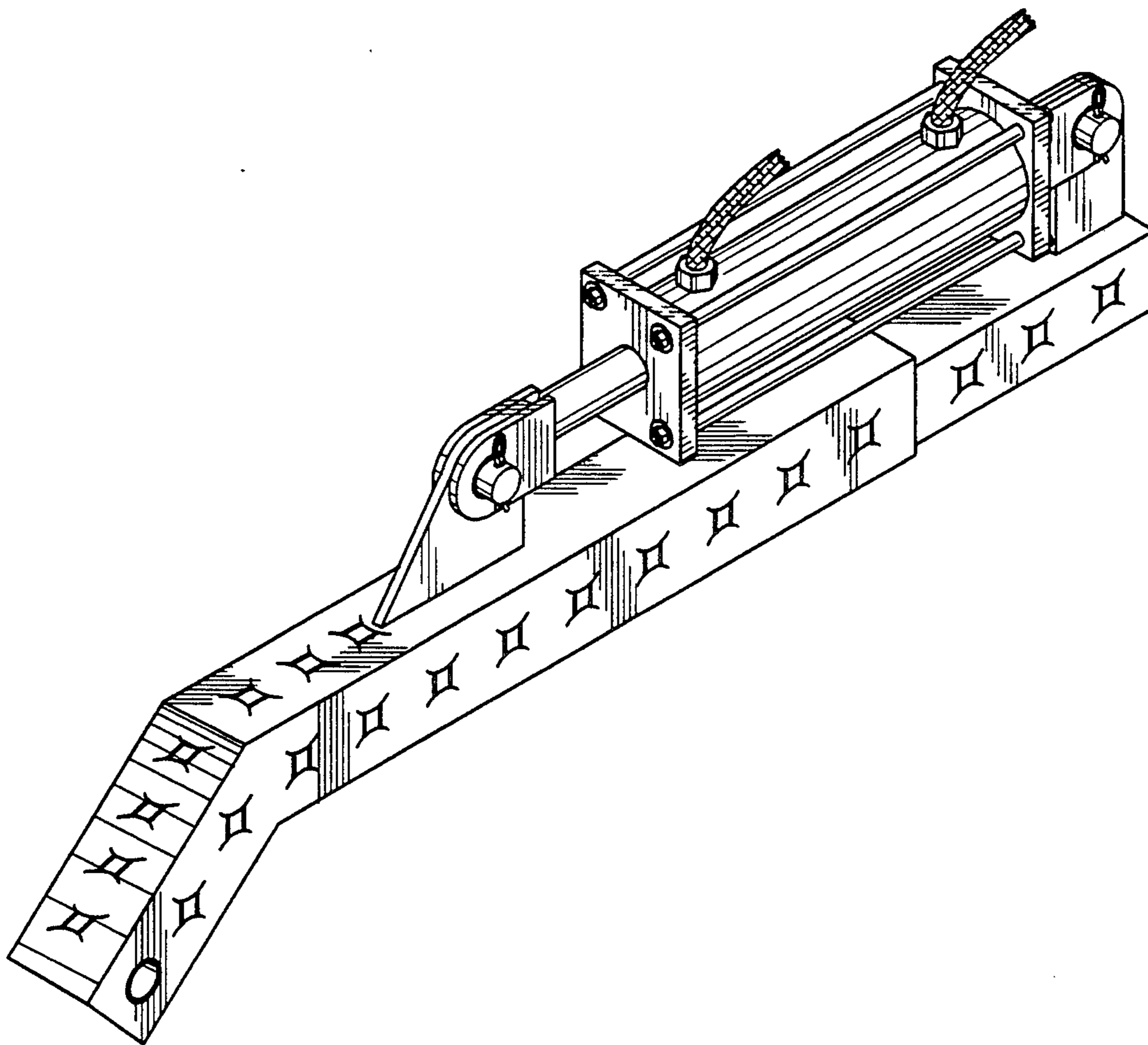


FIG. 1

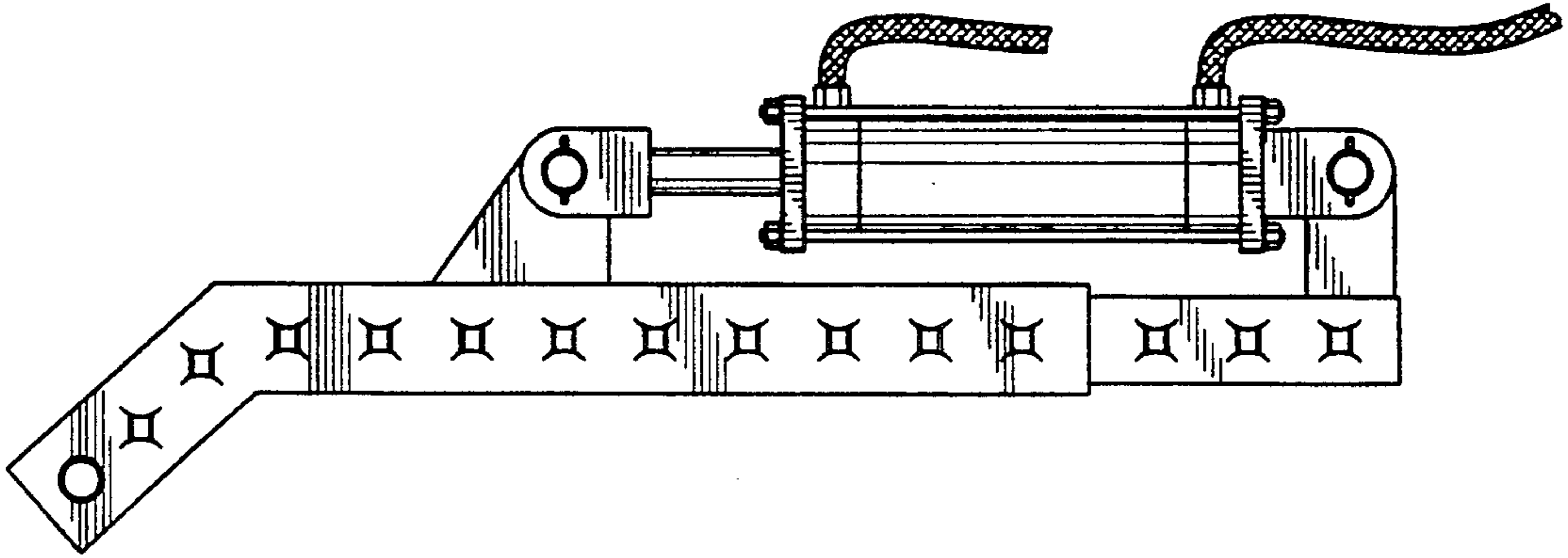


FIG. 2

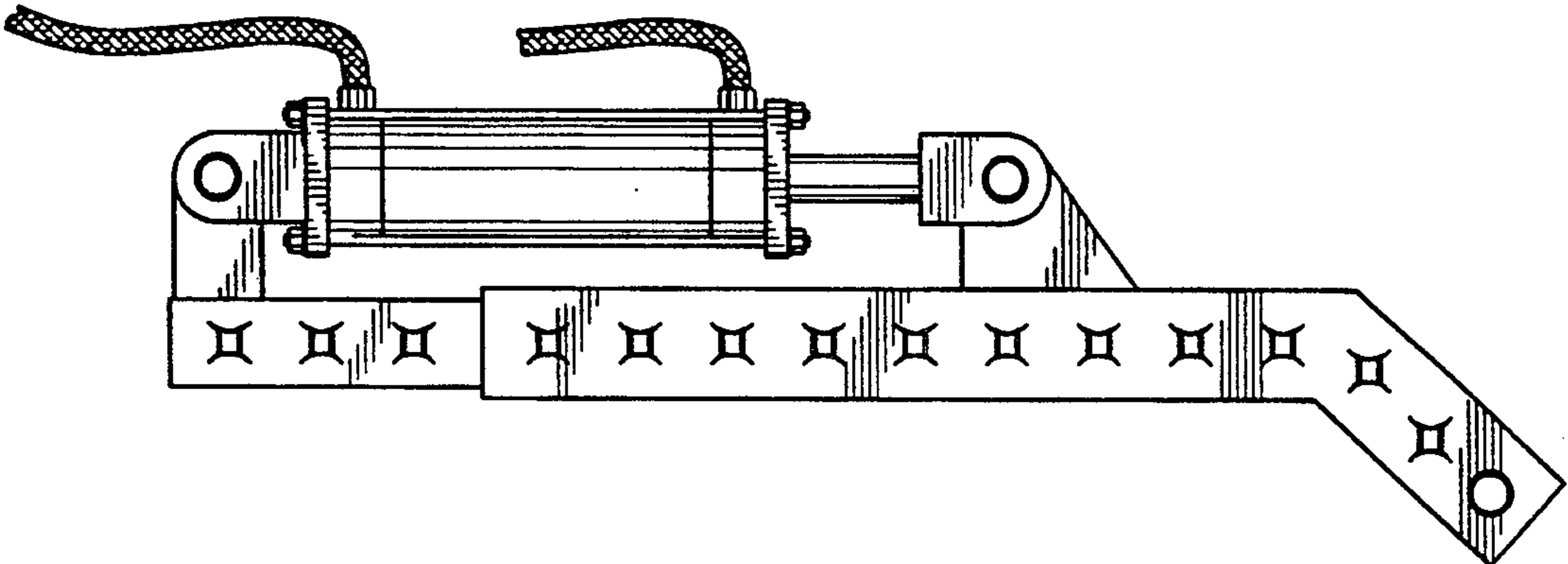


FIG. 3

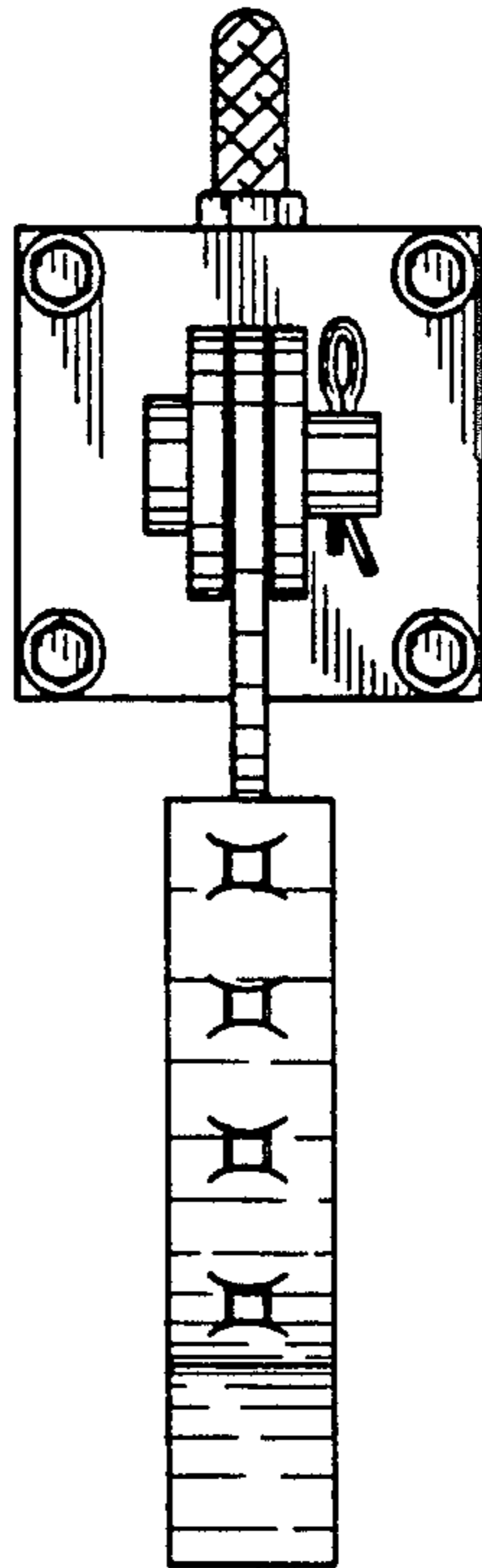


FIG. 4

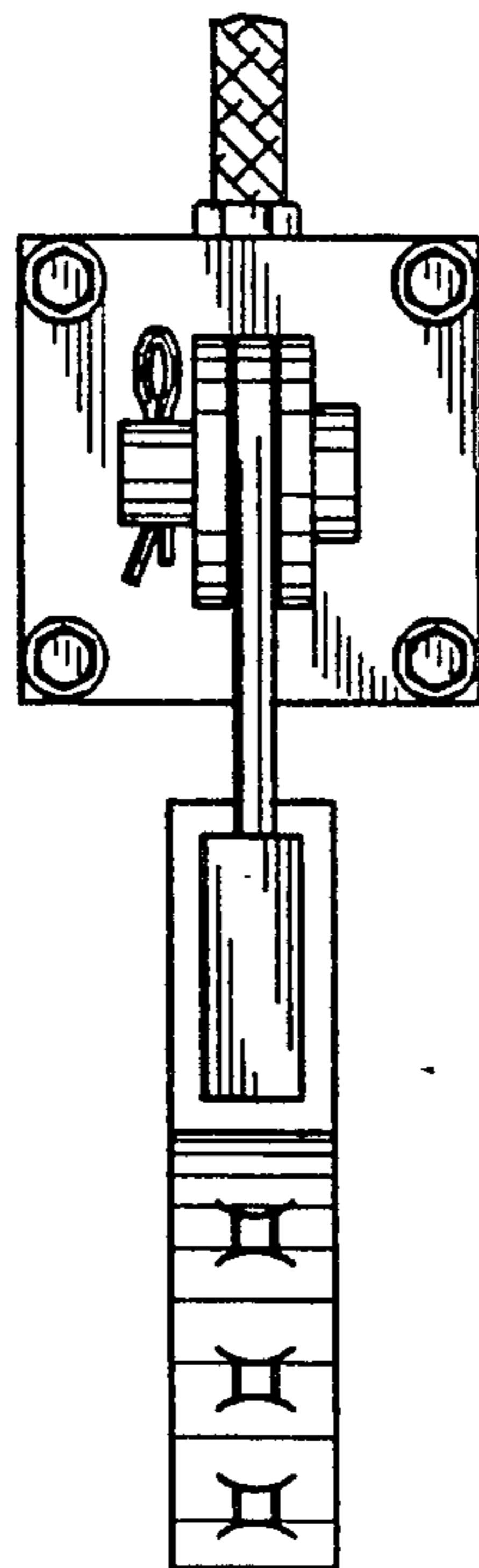


FIG. 5

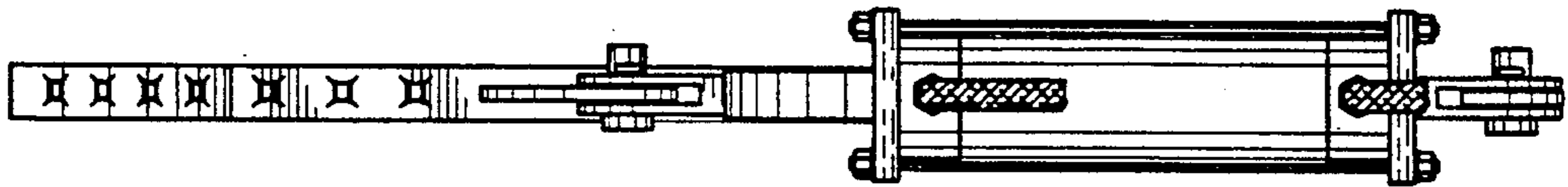


FIG. 6

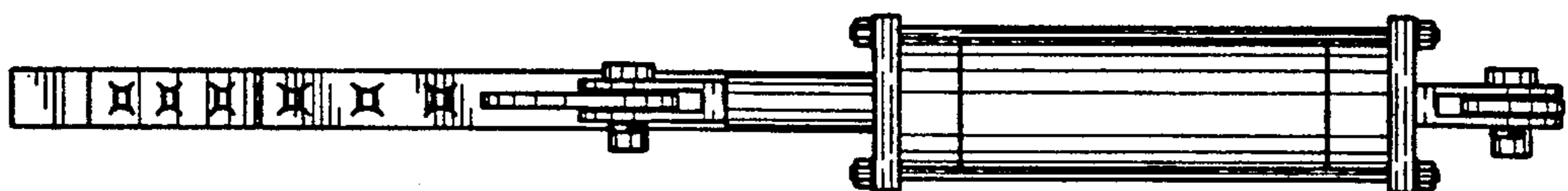


FIG. 7

