



US00D330787S

United States Patent [19]

[11] Patent Number: **Des. 330,787**

Waltz et al.

[45] Date of Patent: **** Nov. 3, 1992**

[54] **COMBINED VACUUM CLEANER HOSE AND RACK**

3,401,420 9/1968 Lofgren 15/323
4,761,850 8/1988 Romeo et al. 15/323

[75] Inventors: **Kevin S. Waltz, Massillon; Sidney H. Bradd, Solon, both of Ohio**

OTHER PUBLICATIONS

Turbomaster Total Cleaning System Models U5094 & U5096, no date.

[73] Assignee: **The Hoover Company, North Canton, Ohio**

Primary Examiner—A. Hugo Word
Assistant Examiner—Ruth McInroy

[**] Term: **14 Years**

[57] CLAIM

[21] Appl. No.: **695,773**

The ornamental design for a combined vacuum cleaner hose and rack, as shown and described.

[22] Filed: **May 6, 1991**

[52] U.S. Cl. **D32/31**

DESCRIPTION

[58] Field of Search **D32/22, 31-33; 15/323, 357 A, 334, 335, 350, 351**

FIG. 1 is a front elevational view of a combined vacuum cleaner hose and rack showing our new design; FIG. 2 is a right side elevational view thereof; FIG. 3 is a rear elevational view thereof; FIG. 4 is a left side elevational view thereof; FIG. 5 is a top plan view thereof; and, FIG. 6 is a bottom plan view thereof.

[56] References Cited

U.S. PATENT DOCUMENTS

D. 272,572	2/1984	Parise	D32/31
D. 301,784	6/1989	Petralia et al.	D32/22
D. 309,203	7/1990	Goodrich	D32/22
D. 309,806	8/1990	Chieda et al.	D32/22
D. 313,681	1/1991	McKnight	D32/22

The vacuum cleaner and attachments shown in broken lines in FIGS. 1-6 are shown for illustrative purposes only and form no part of the claimed design.

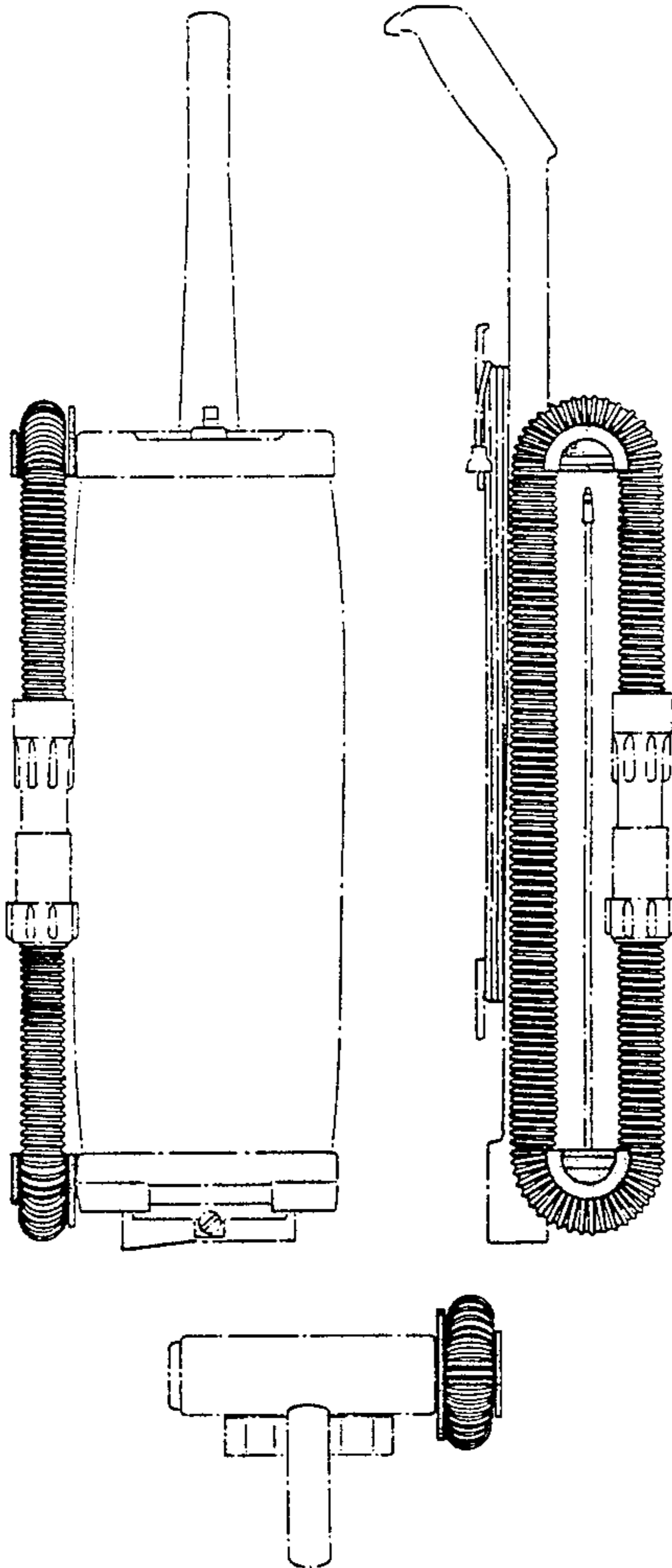


FIG.-1

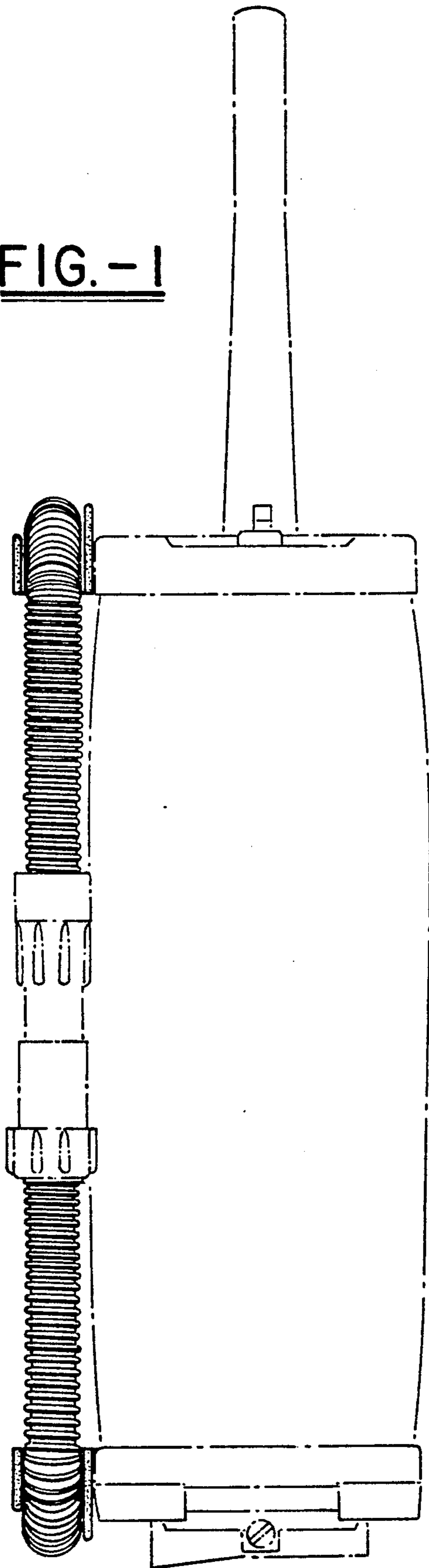
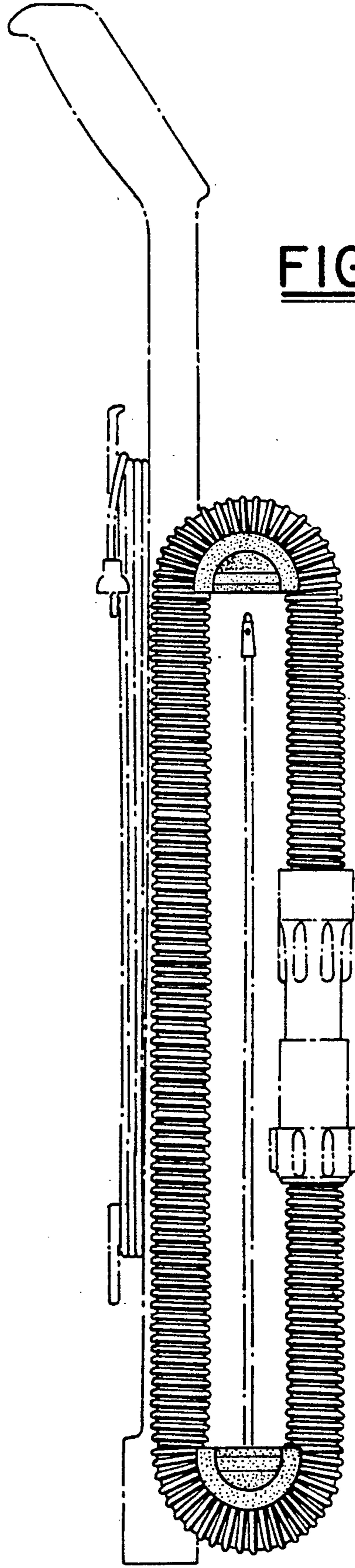
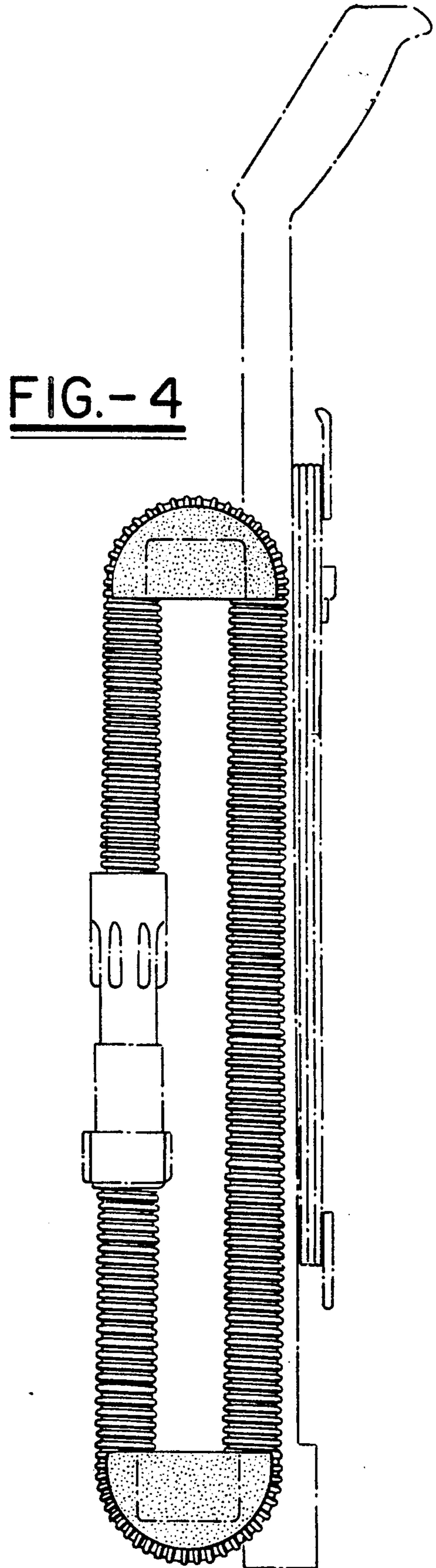
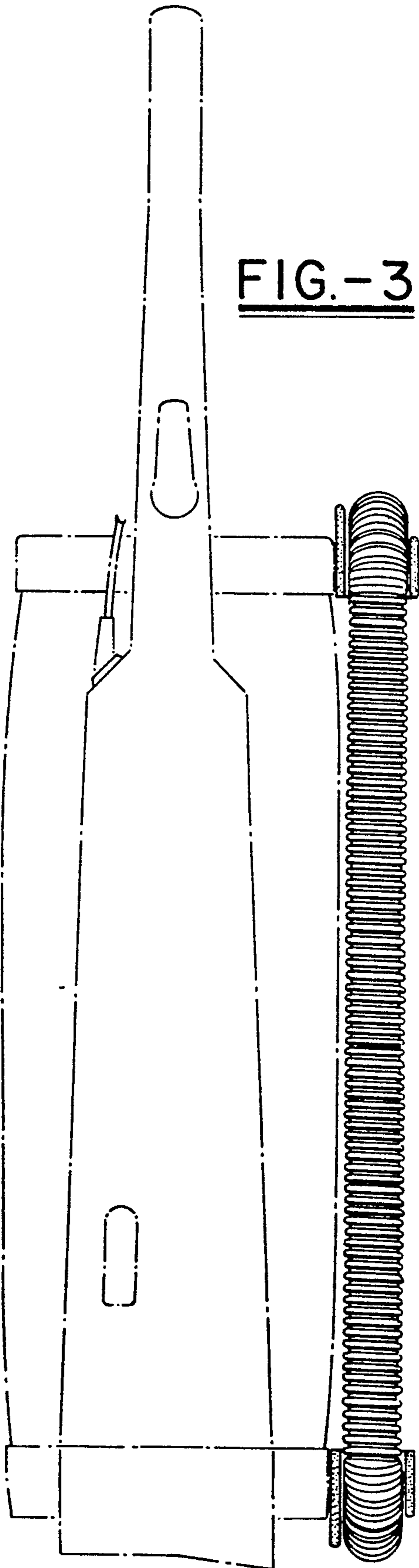


FIG.-2





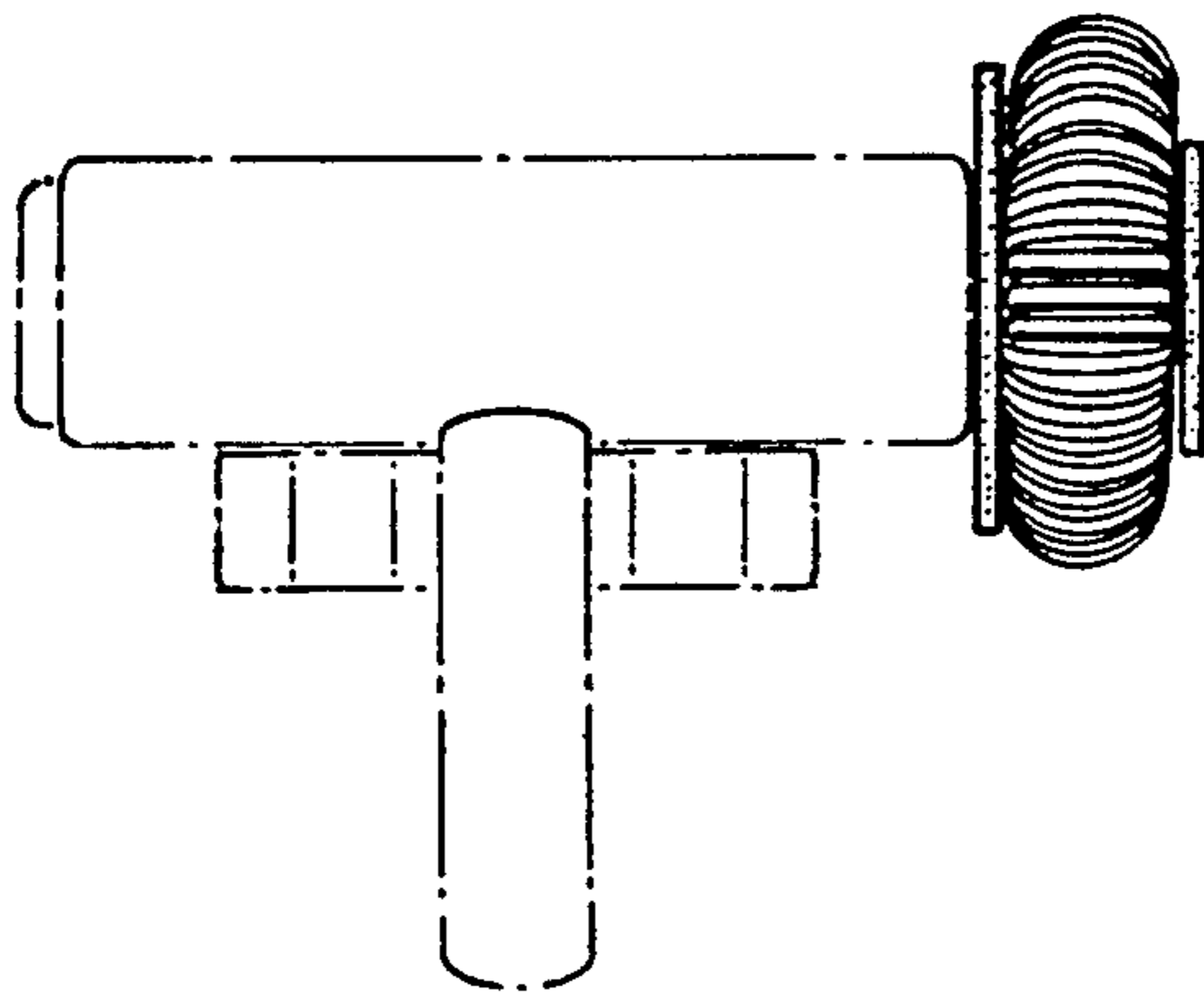


FIG. - 5

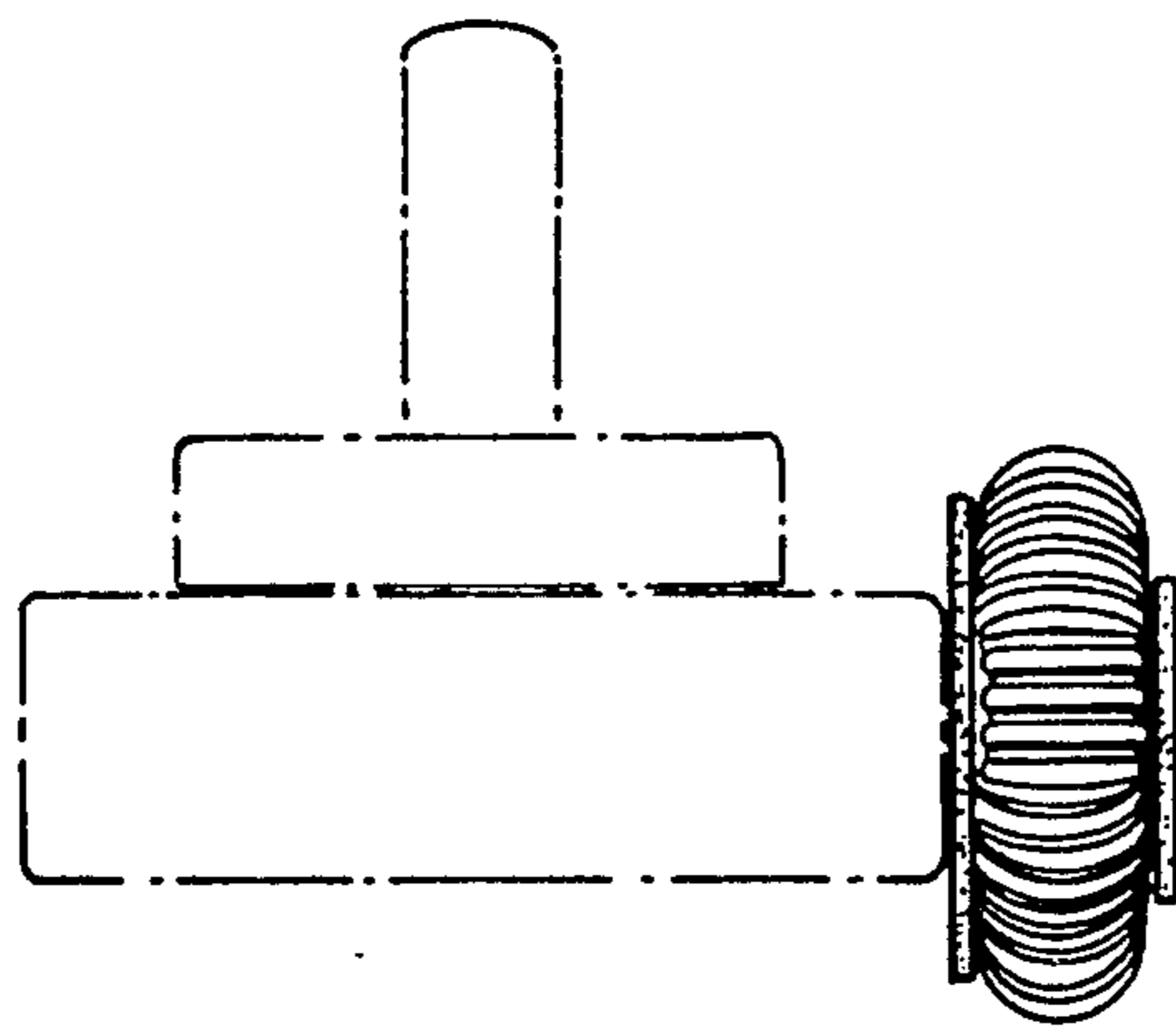


FIG. - 6