



US00D330785S

United States Patent [19]

[11] Patent Number: **Des. 330,785**

Jordan

[45] Date of Patent: **** Nov. 3, 1992**

[54] **COMBINED PET FOOD BOWL AND DISPOSABLE LINER**

FOREIGN PATENT DOCUMENTS

387564 9/1990 European Pat. Off. 119/61

[76] Inventor: **Dianne P. Jordan**, 10 S. Wilderness Trail, Ponte Vedra Beach, Fla. 32082

OTHER PUBLICATIONS

The Book of Signs; p. 53 Neptune Symbol center right on pg.
Symbols, Signs & Signets by Ernst Lehner; ©1950; p. 52, item #174.

[**] Term: **14 Years**

Primary Examiner—A. Hugo Word
Assistant Examiner—CathyAnne MacCormac
Attorney, Agent, or Firm—Leon Gilden

[21] Appl. No.: **552,414**

[22] Filed: **Jul. 13, 1990**

[52] U.S. Cl. **D30/129**

[58] Field of Search D30/121-122,
D30/129-133; 119/72, 52.4, 61, 57.4; 220/516,
23.6, 630, 23.85, 23.4, 575; 206/503, 551;
D7/602, 629, 523, 529, 533-555, 501, 505, 557,
590, 630

[57] CLAIM

The ornamental design for a combined pet food bowl and disposable liner, as shown and described.

[56] References Cited

U.S. PATENT DOCUMENTS

| | | | |
|-----------|---------|-----------------|---------|
| 2,178,812 | 11/1939 | Schade | 220/630 |
| 3,698,594 | 10/1972 | Boehlert | 119/61 |
| 4,716,855 | 1/1988 | Anderson et al. | 119/61 |
| 4,800,845 | 1/1989 | Budd | 119/61 |
| 4,803,954 | 2/1989 | Welch et al. | 119/61 |

DESCRIPTION

FIG. 1 is a front elevational view of the combined pet food bowl and disposable liner showing my new design; FIG. 2 is a rear elevational view thereof; FIG. 3 is a left side elevational view thereof; FIG. 4 is a right side elevational view thereof; FIG. 5 is a top plan view thereof; FIG. 6 is a bottom plan view thereof; FIG. 7 is a perspective view thereof; and, FIG. 8 is an exploded perspective view thereof.

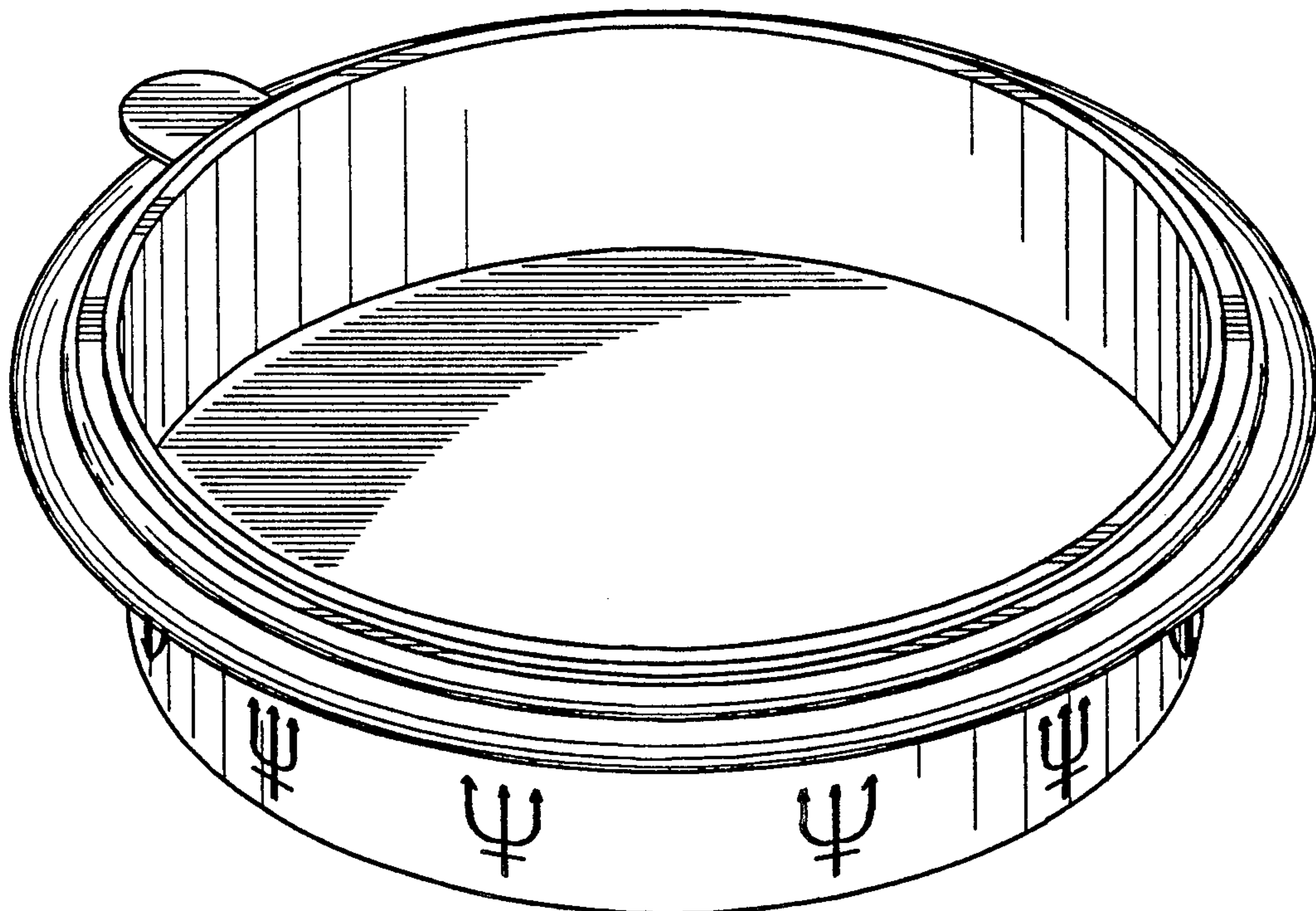


FIG. 1

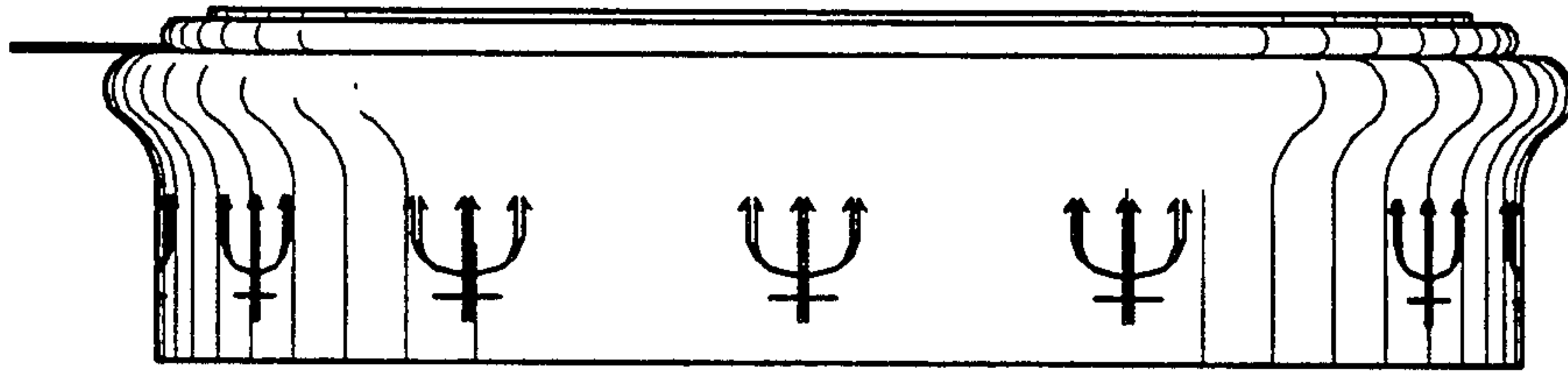


FIG. 2

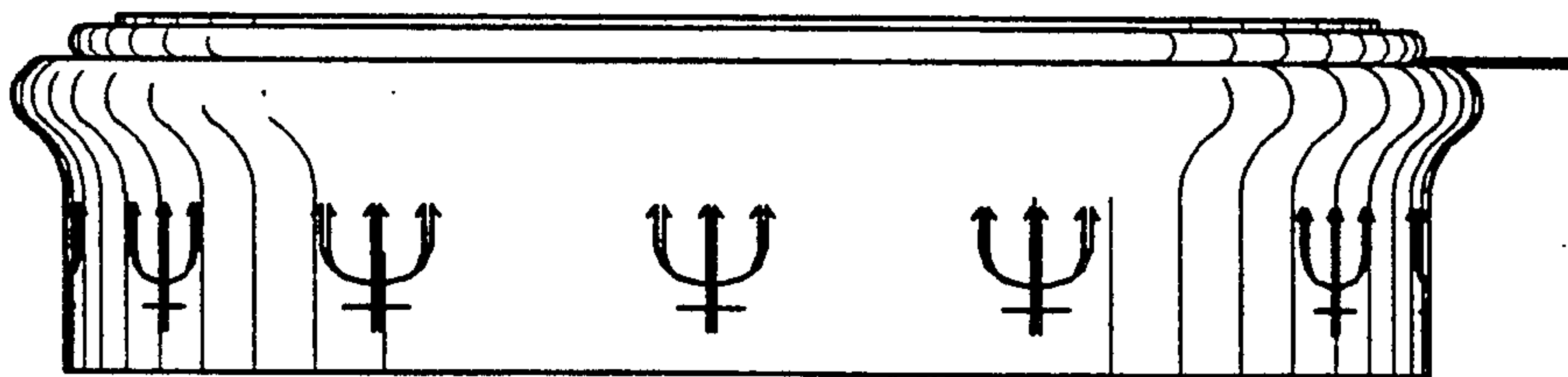


FIG. 3

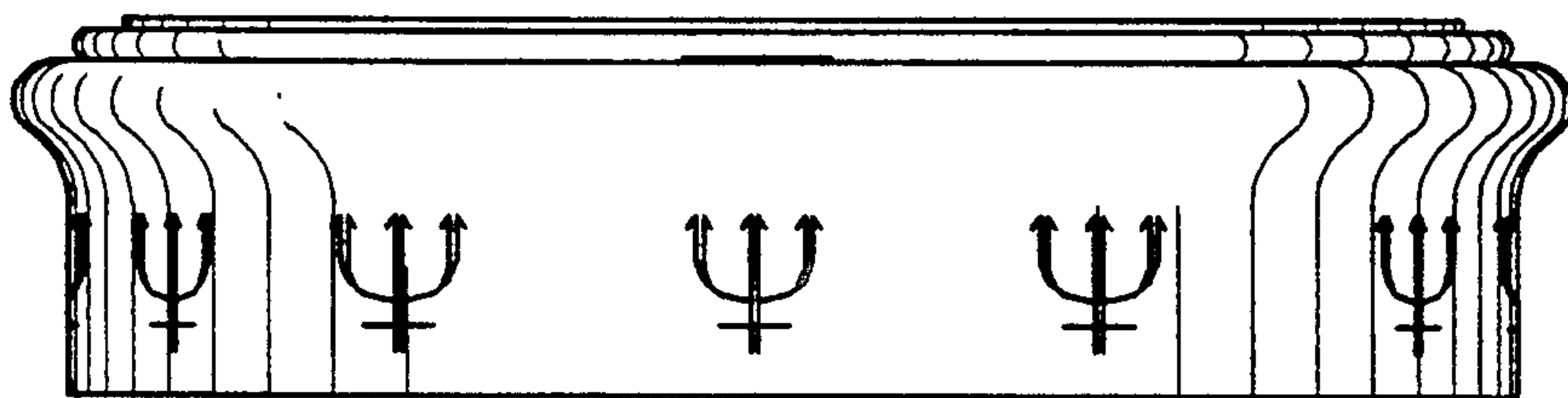


FIG. 4

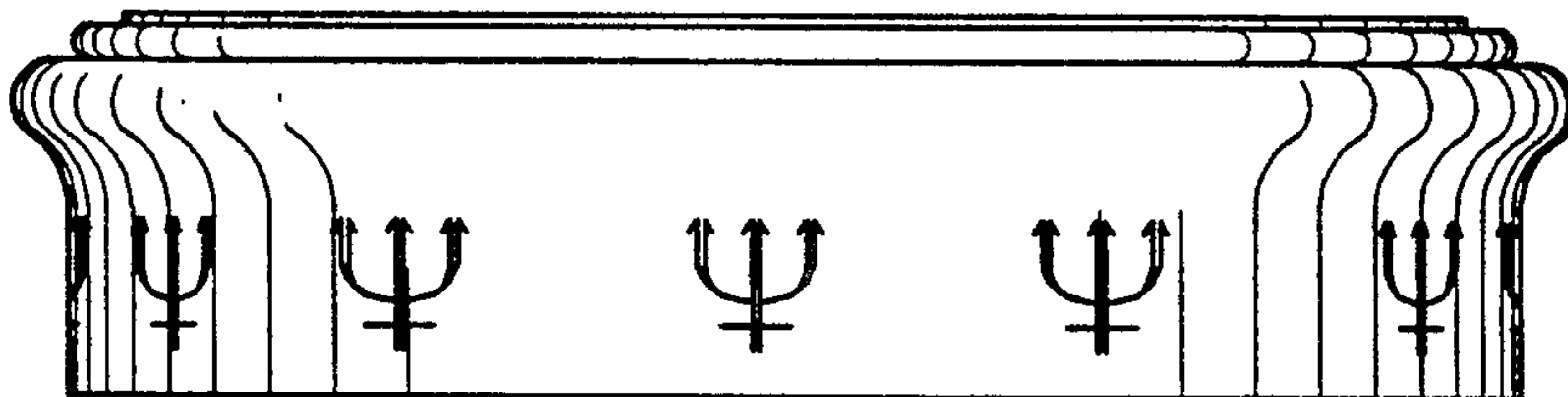


FIG. 5

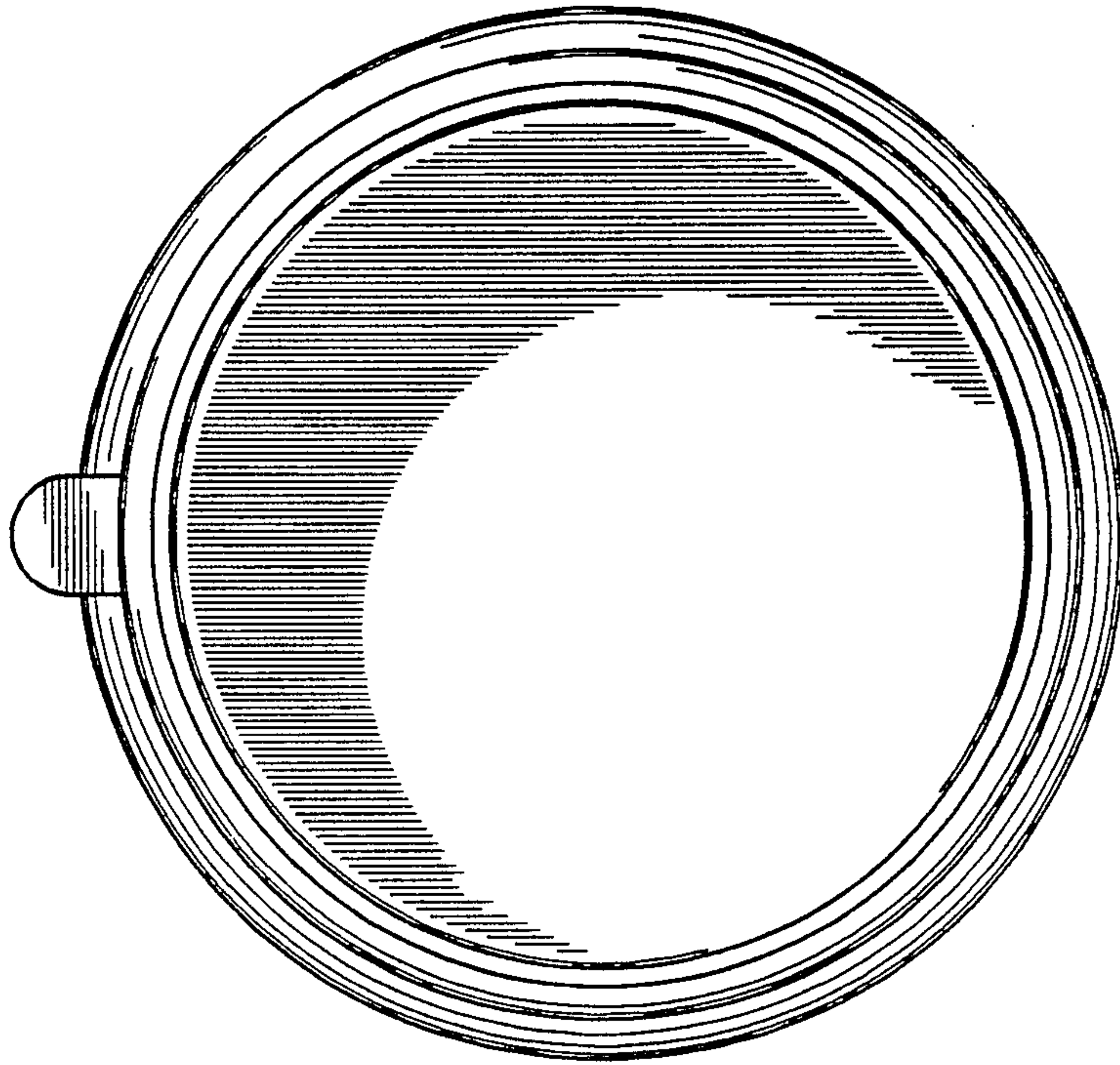


FIG. 6

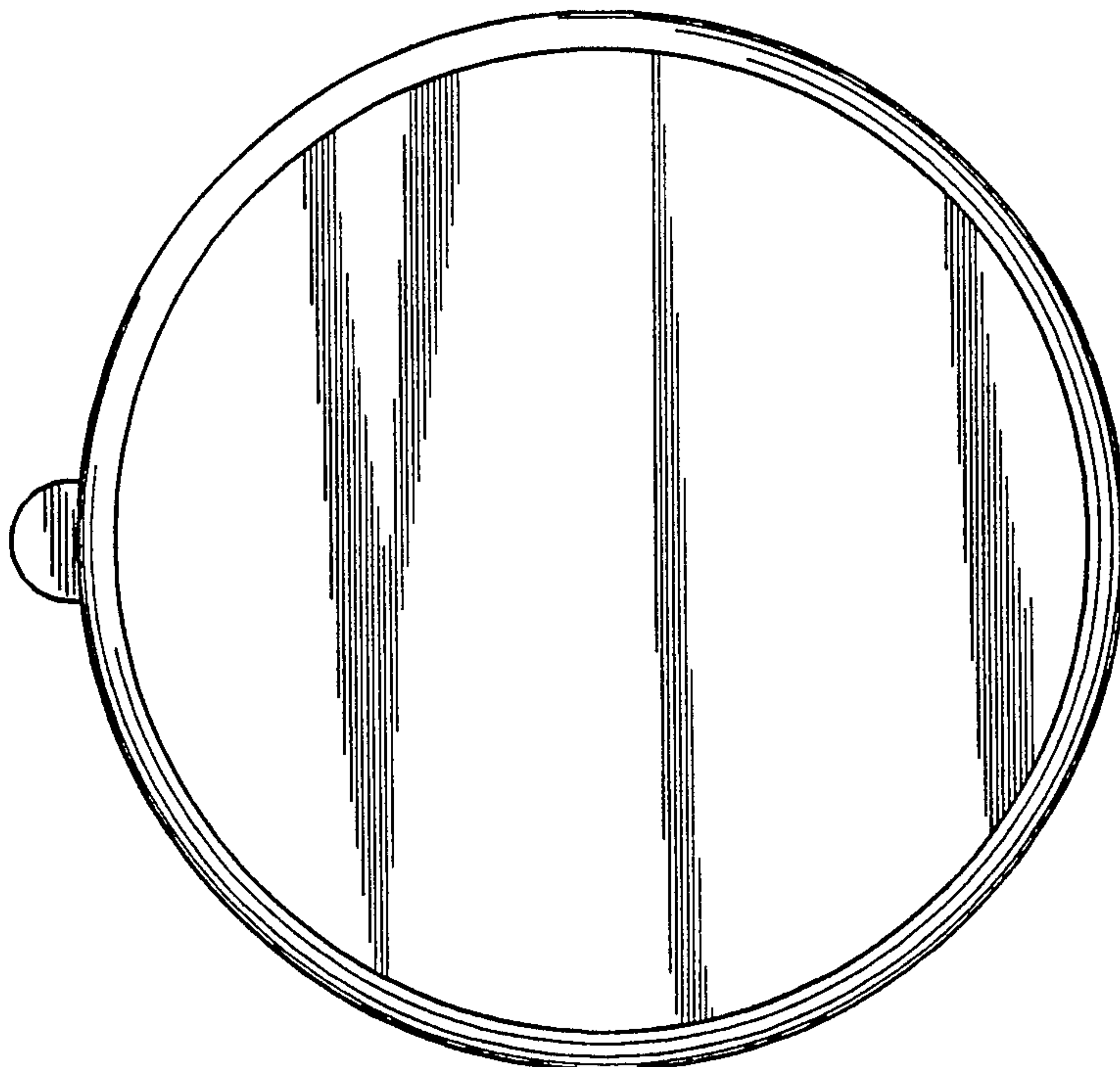


FIG. 7

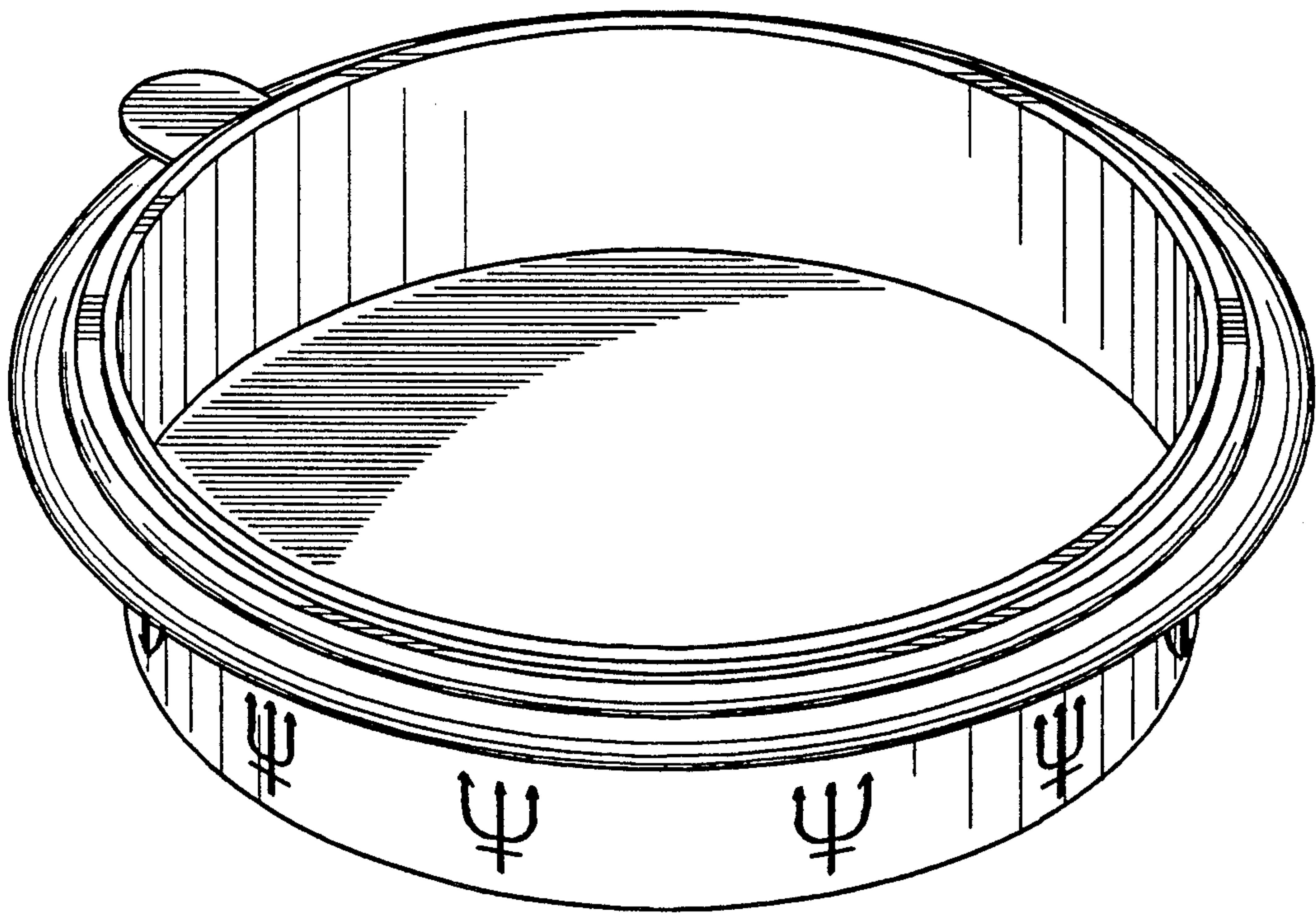


FIG. 8

