



US00D330783S

United States Patent [19]

[11] Patent Number: **Des. 330,783**

Dinand et al.

[45] Date of Patent: **** Nov. 3, 1992**

[54] **SPRAY BOTTLE**

3,082,959 3/1963 Jokelson 239/337

[75] Inventors: **Pierre Dinand**, Paris, France; **Robert Luzzi**; **Dena Seigel**, both of New York, N.Y.

OTHER PUBLICATIONS

DeVilbiss Perfume Atomizers, Catalog, 1937, p. 9, "Traveler's Atomizers".

[73] Assignee: **Estee Lauder, Inc.**, New York, N.Y.

Primary Examiner—Bernard Ansher
Assistant Examiner—Lucy Lieberman
Attorney, Agent, or Firm—Robert J. Koch

[**] Term: **14 Years**

[21] Appl. No.: **687,669**

[57] CLAIM

The ornamental design for a spray bottle, as shown and described.

[22] Filed: **Apr. 19, 1991**

[52] U.S. Cl. **D28/91.1; D9/300**

[58] Field of Search **D28/91.1; D9/384, 386, D9/385, 401, 403-413; 239/337, 338, 339; 215/1 R, 1 C; 222/632, 633**

DESCRIPTION

FIG. 1 is a perspective view of a spray bottle showing our new design;

FIG. 2 is a side elevation thereof, the opposite side is a mirror image thereof;

FIG. 3 is a rear elevation thereof;

FIG. 4 is a front elevation thereof;

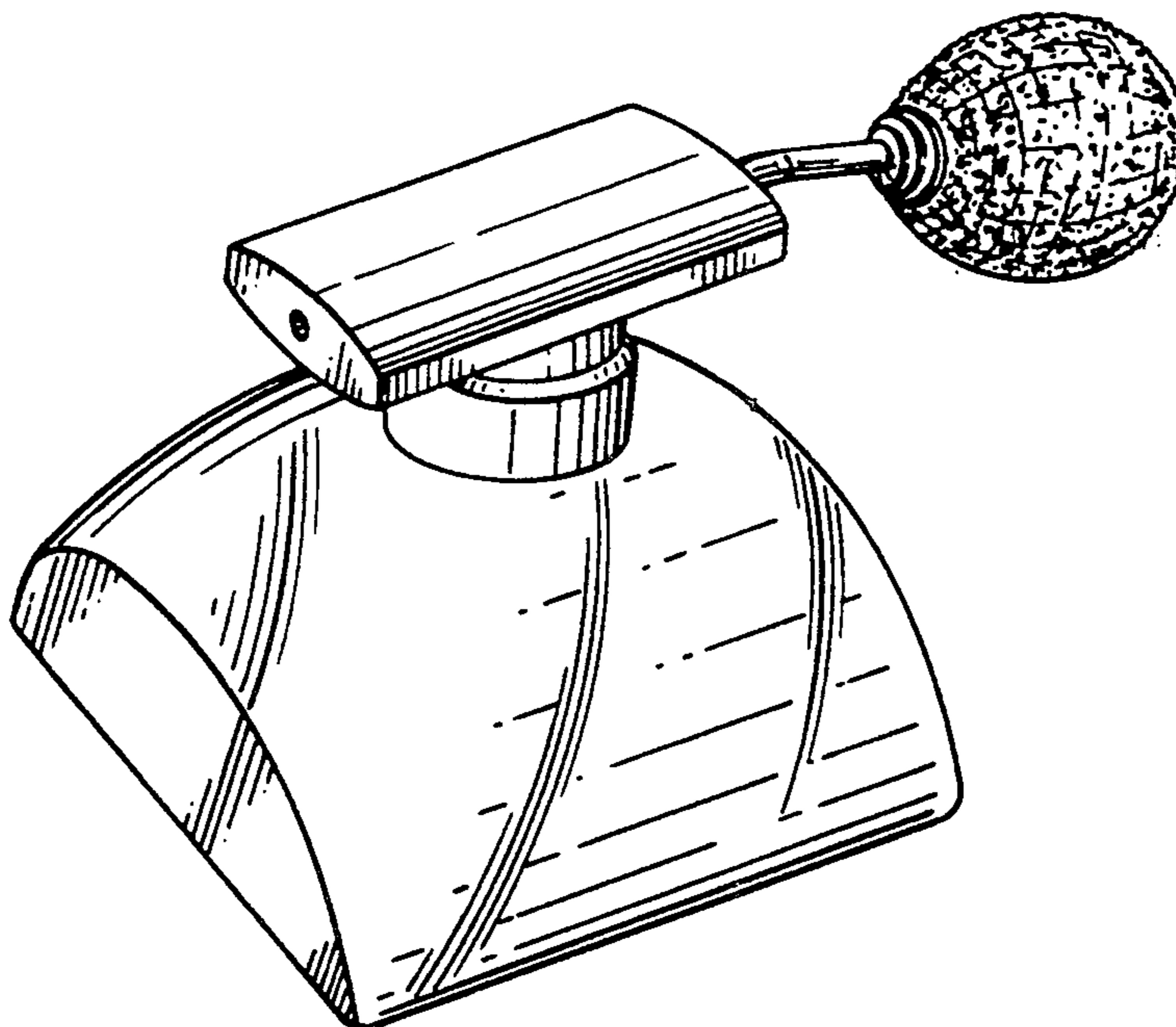
FIG. 5 is a top plan view thereof; and,

FIG. 6 is a bottom plan view thereof.

[56] References Cited

U.S. PATENT DOCUMENTS

- D. 94,113 12/1934 Brown D28/91.1
- D. 141,775 7/1945 Buckingham D9/384
- D. 214,663 7/1969 Brickey D9/401



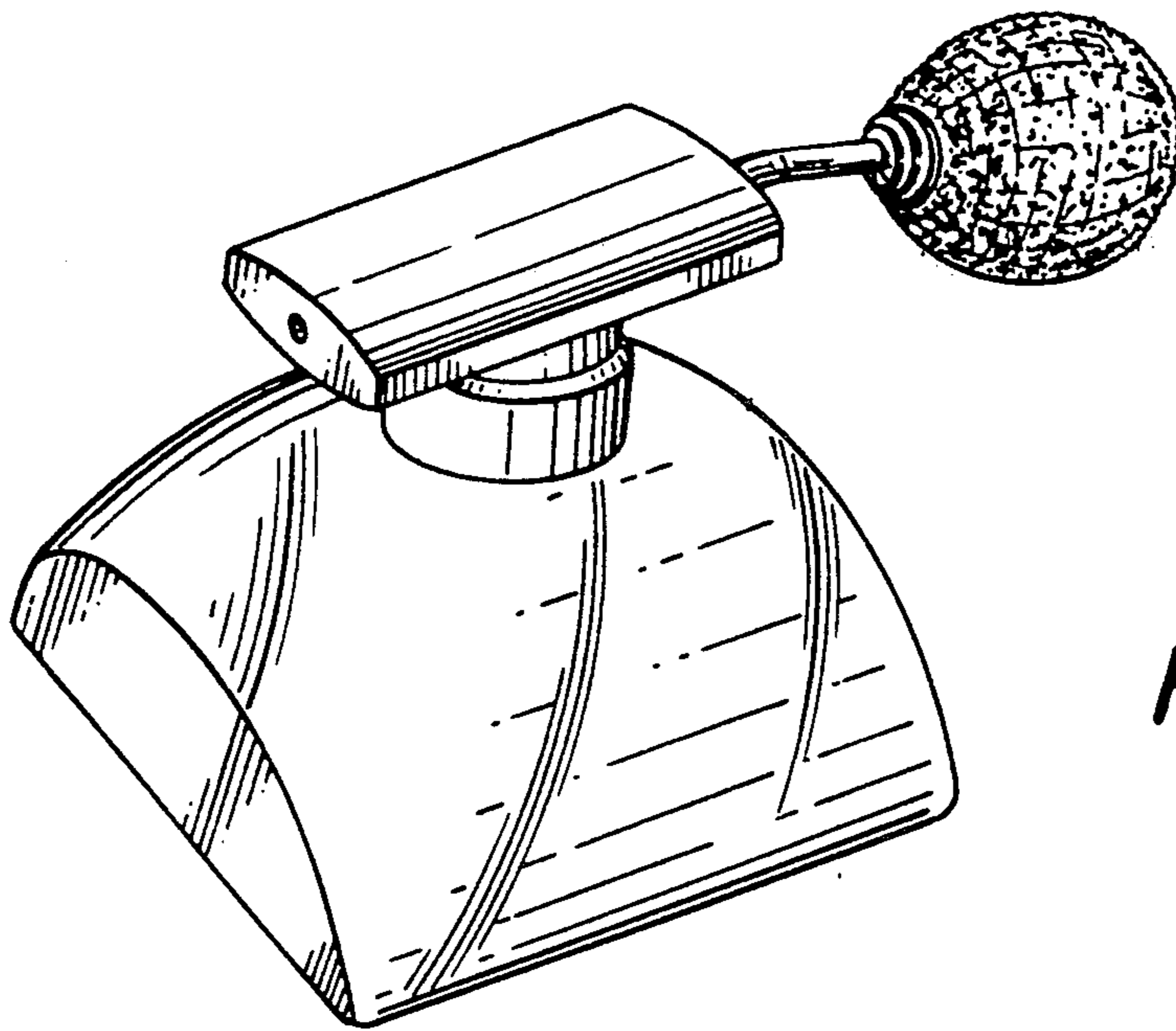


Fig. 1



Fig. 2

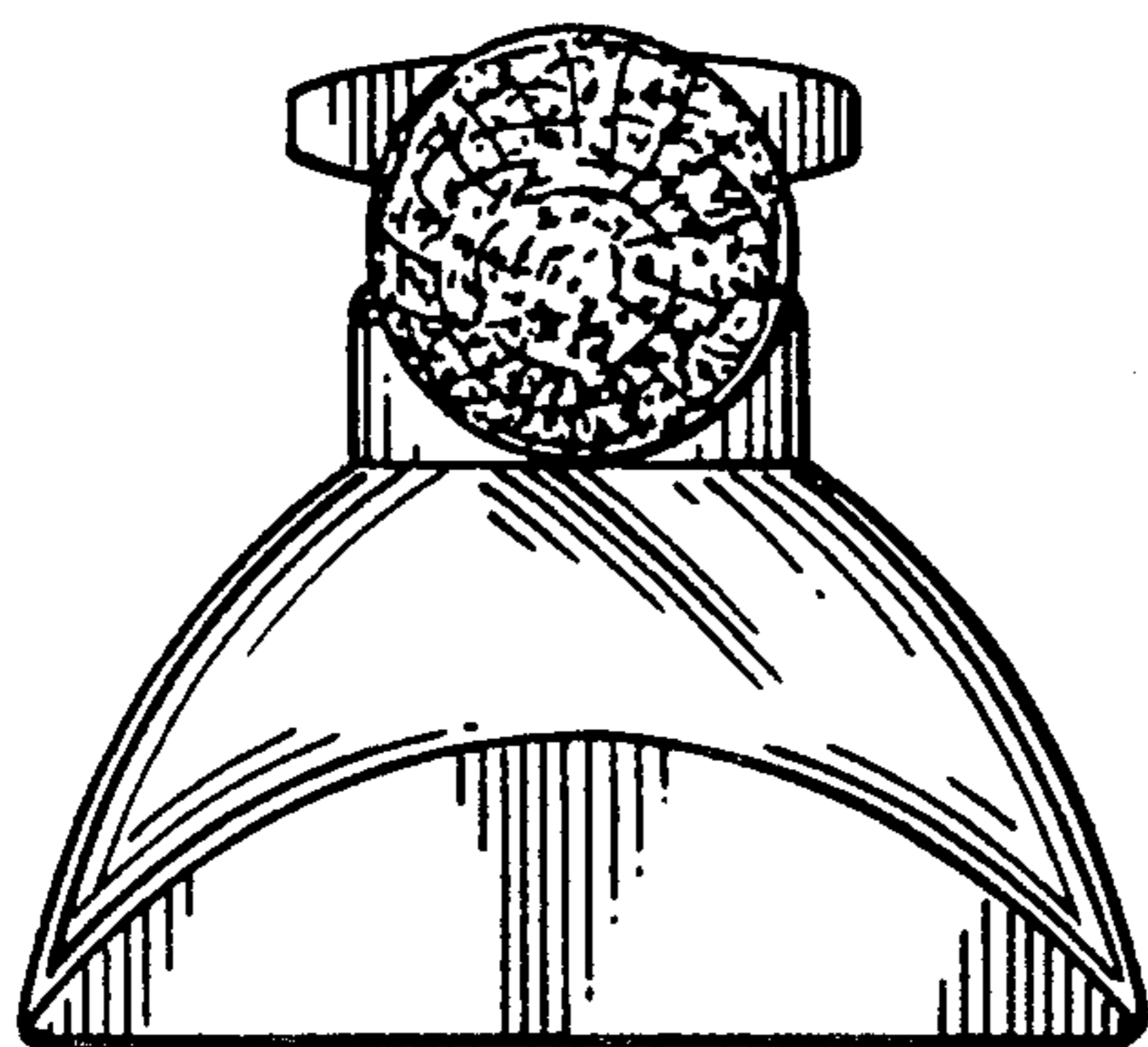


Fig. 3

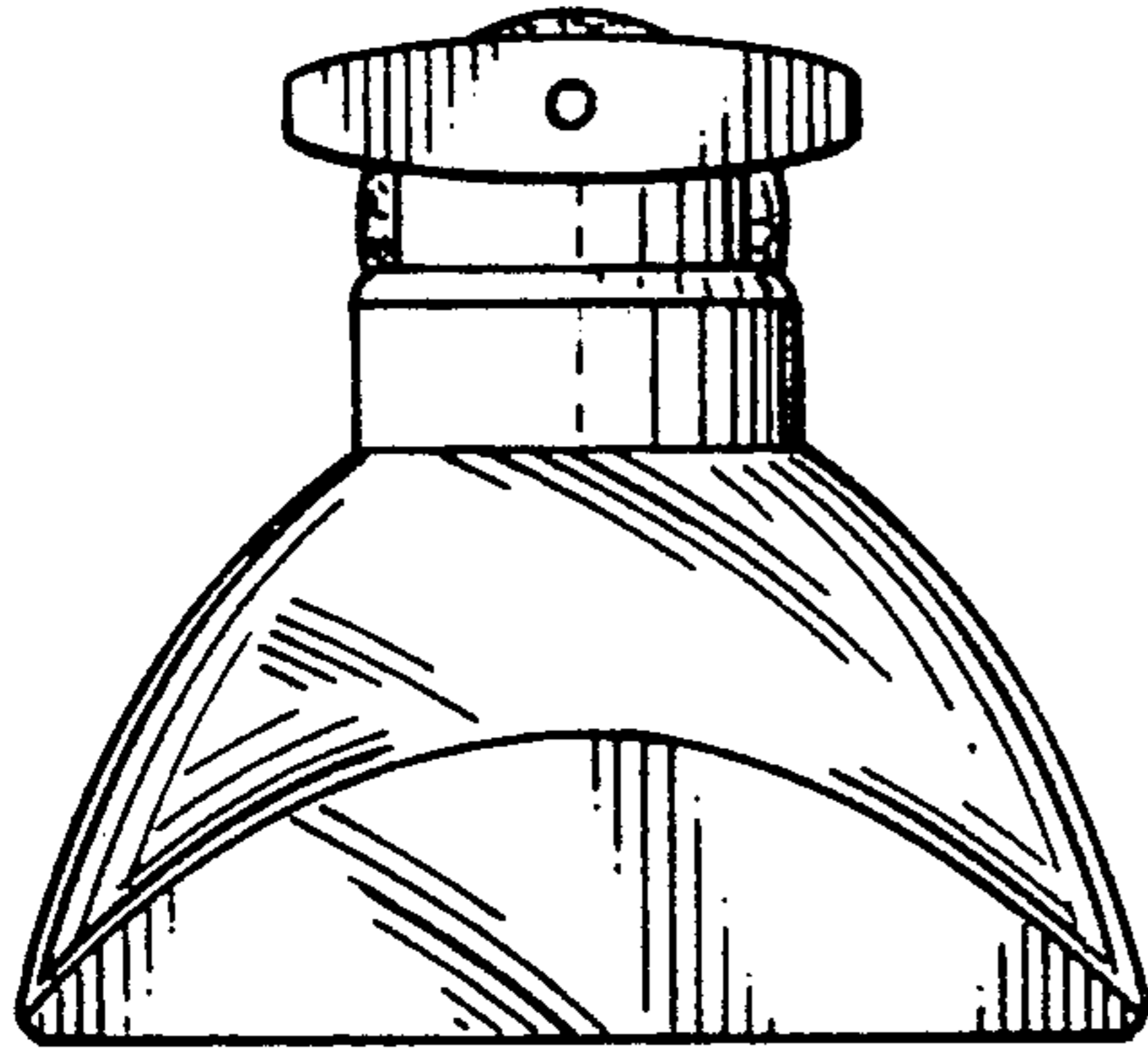


Fig. 4

Fig. 5

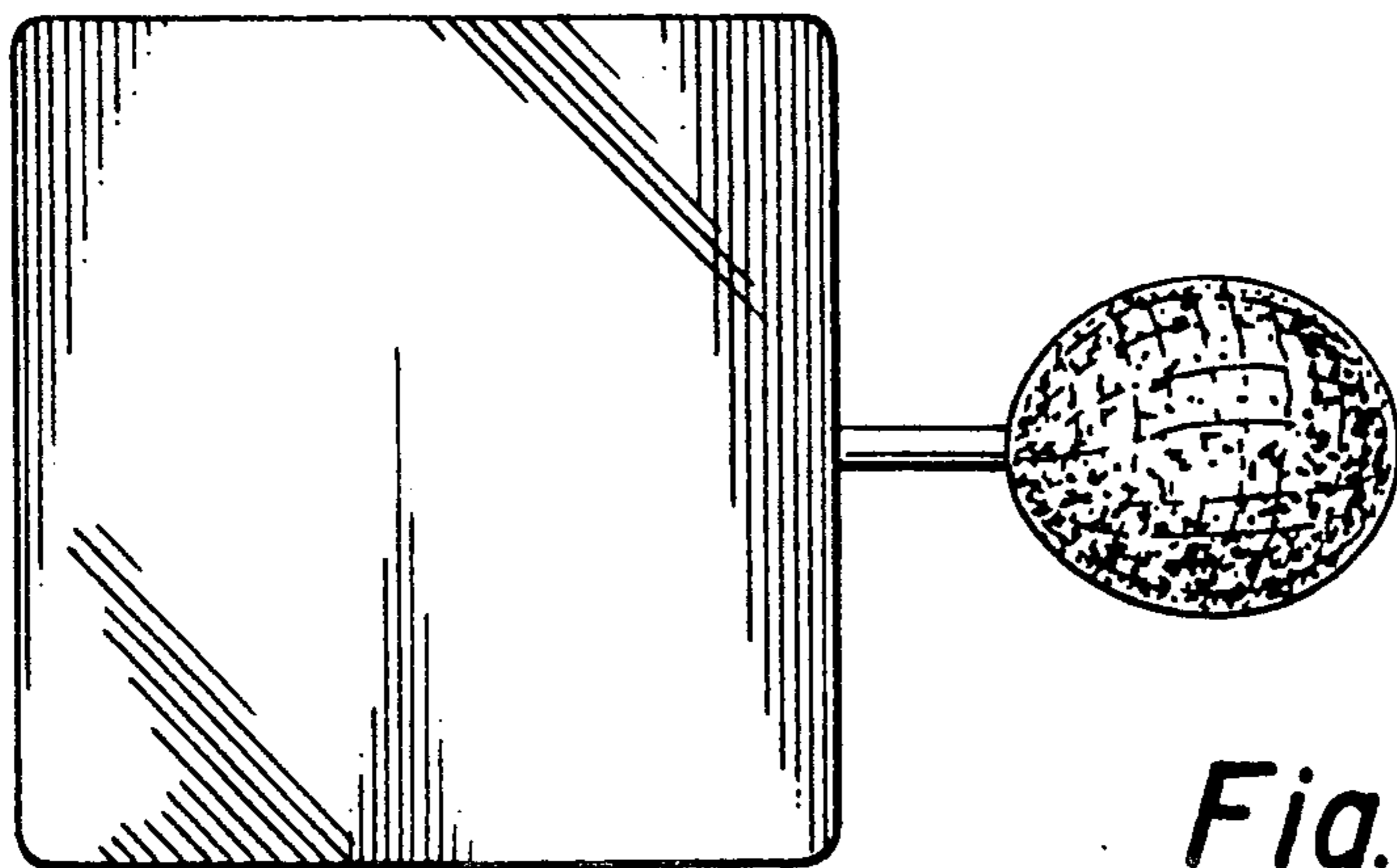
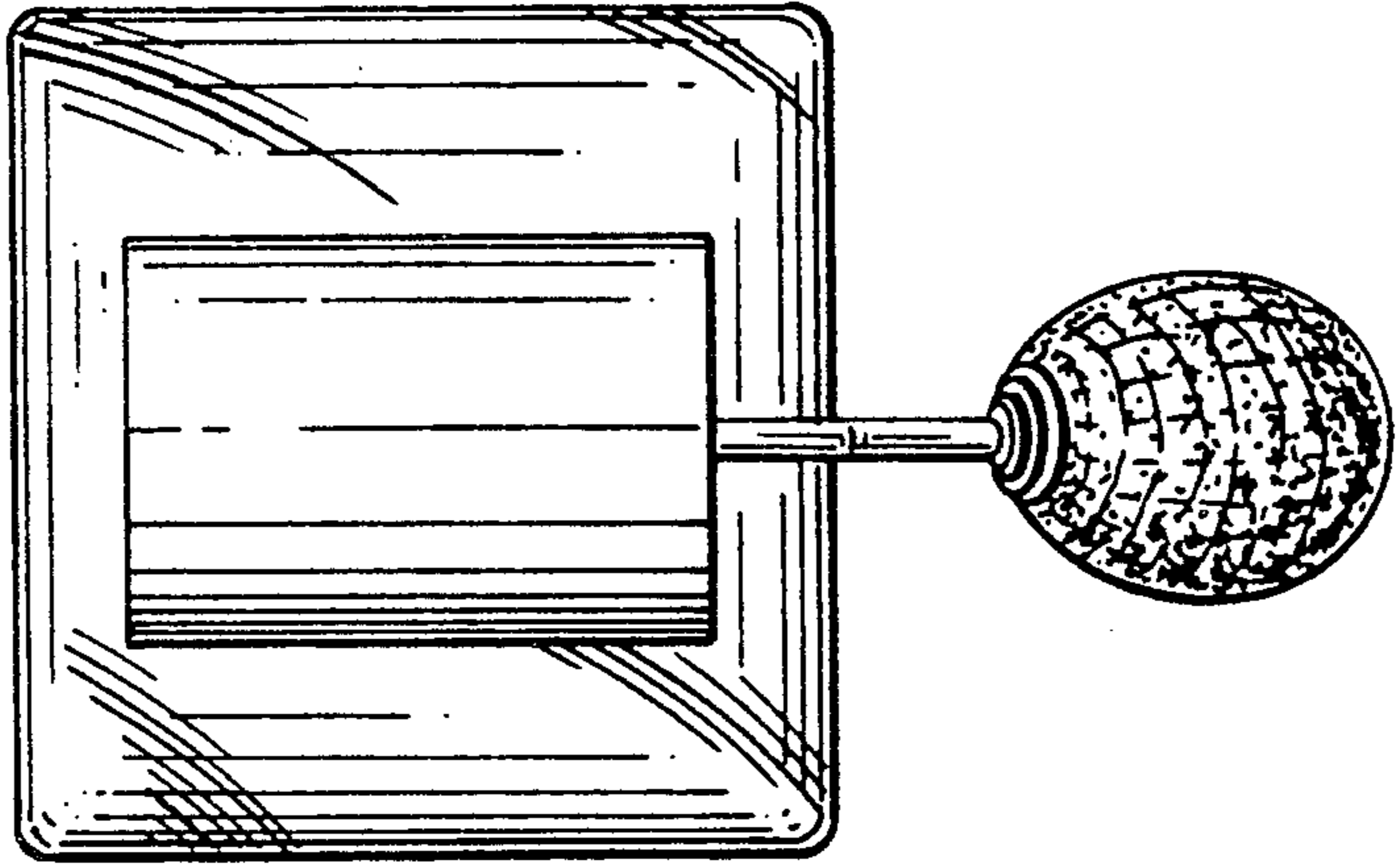


Fig. 6