



US00D330779S

United States Patent [19]

[11] Patent Number: **Des. 330,779**

Dieperink et al.

[45] Date of Patent: **** Nov. 3, 1992**

[54] LUMINAIRE

D. 309,793	8/1990	Frattini	D26/87
D. 311,967	11/1990	Herst et al.	D26/85
2,732,484	1/1956	Lipscomb	D26/76 X
2,770,717	11/1956	Schwartz et al.	D26/76 X

[75] Inventors: **Menno Dieperink**, Amsterdam;
Stefanus F. W. Joosten, Eindhoven,
both of Netherlands

[73] Assignee: **U.S. Philips Corporation**, New York,
N.Y.

[**] Term: **14 Years**

[21] Appl. No.: **509,542**

[22] Filed: **Apr. 13, 1990**

[30] **Foreign Application Priority Data**

Oct. 30, 1989 [WO] World Int. Prop. O. ... DM/014.914

[52] U.S. Cl. **D26/84**

[58] Field of Search **D26/72-92;**
362/147, 404, 432, 217, 222, 223, 362

[56] **References Cited**

U.S. PATENT DOCUMENTS

D. 308,260 5/1990 Shemitz D26/85

OTHER PUBLICATIONS

Elliptipar, Inc. Lighting Catalog "Innovations",
©1986, p. 2, Indirect Wall Lamp (top, left).

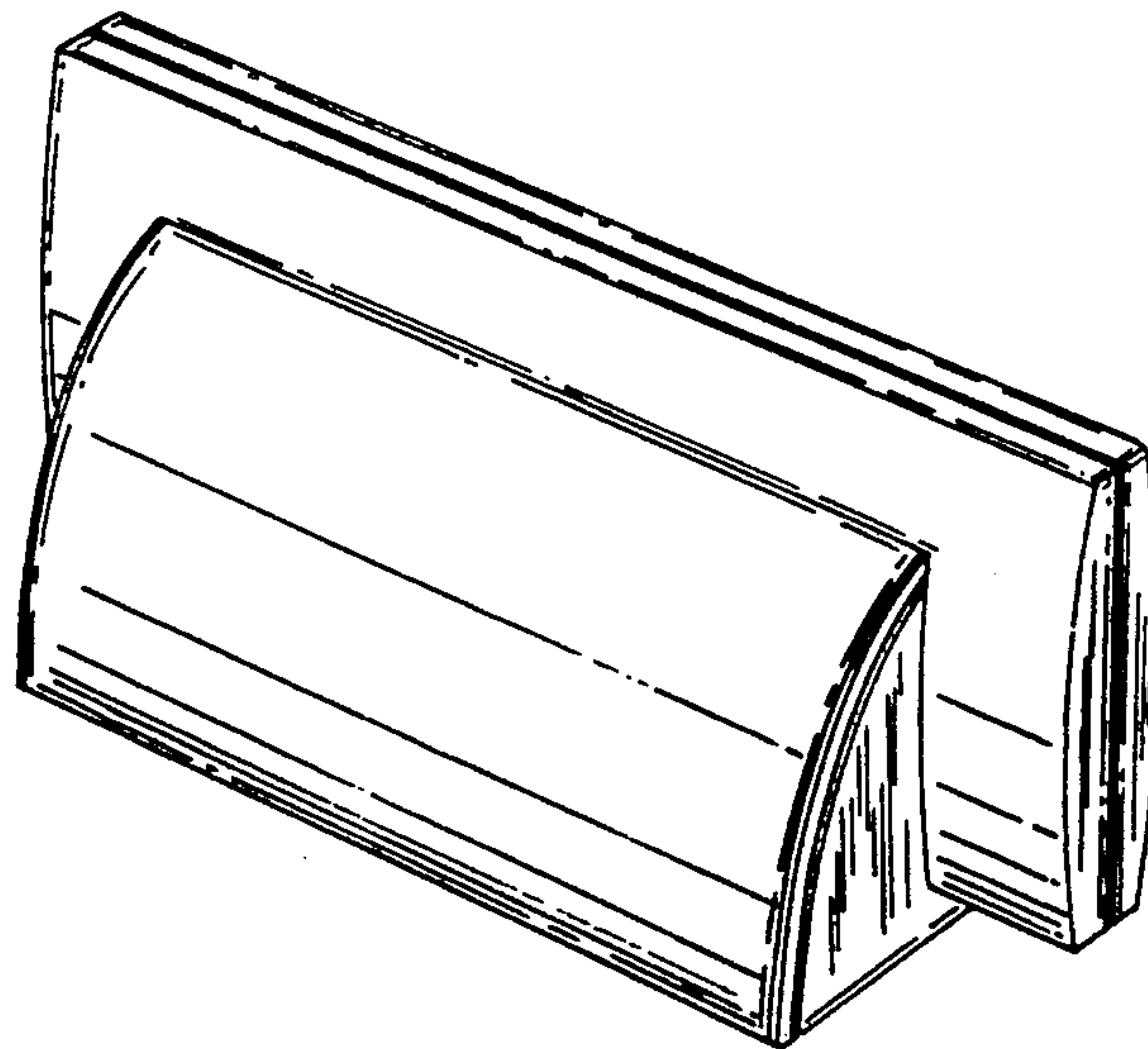
Primary Examiner—Susan J. Lucas
Attorney, Agent, or Firm—Jack E. Haken

[57] **CLAIM**

The ornamental design for a luminaire, as shown.

DESCRIPTION

FIG. 1 is a perspective view of a luminaire showing our new design;
FIG. 2 is a front elevational view thereof;
FIG. 3 is a rear elevational view thereof;
FIG. 4 is a left side elevational view thereof;
FIG. 5 is a right side elevational view thereof;
FIG. 6 is a top plan view thereof; and,
FIG. 7 is a bottom plan view thereof.



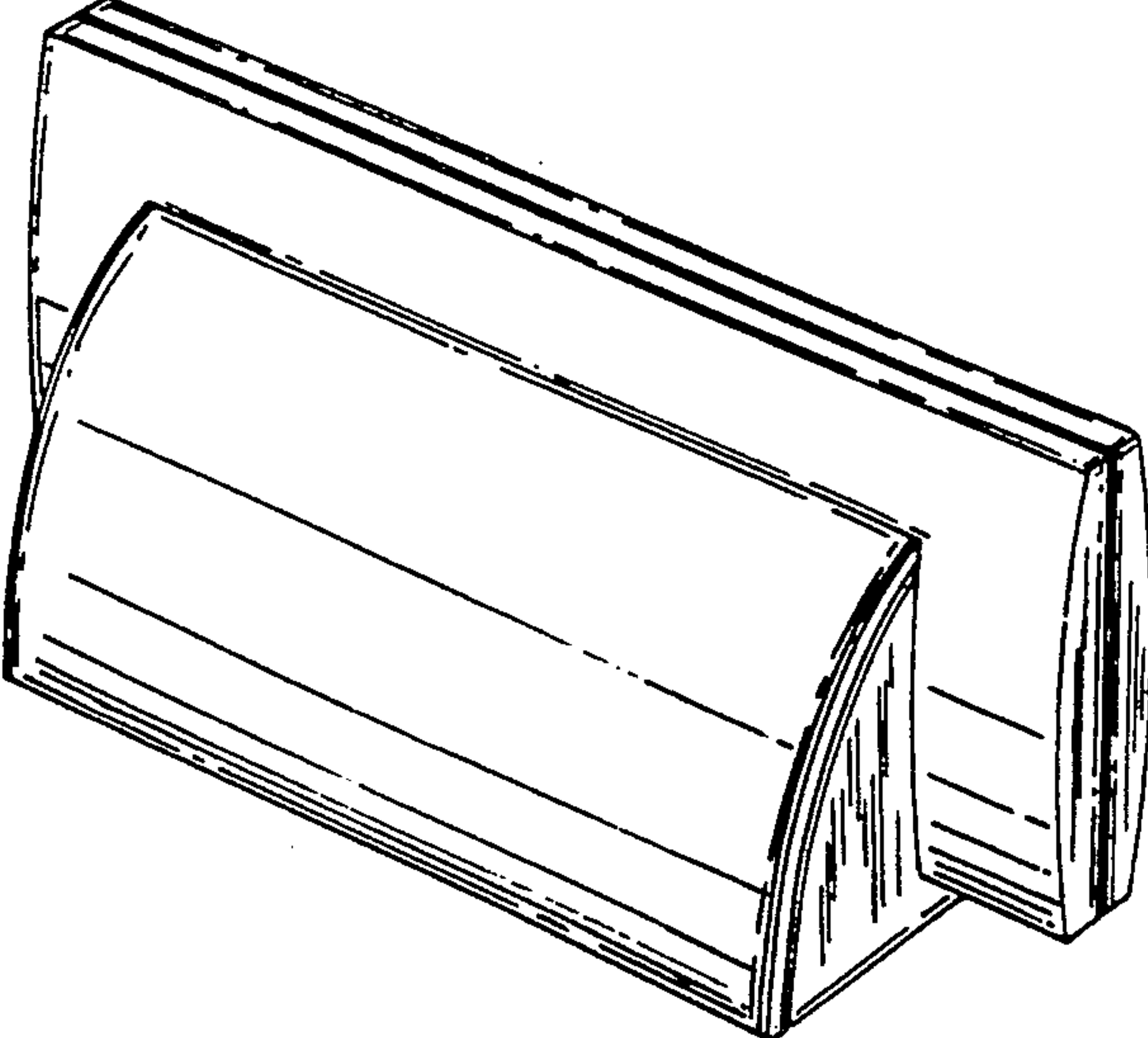


FIG. 1

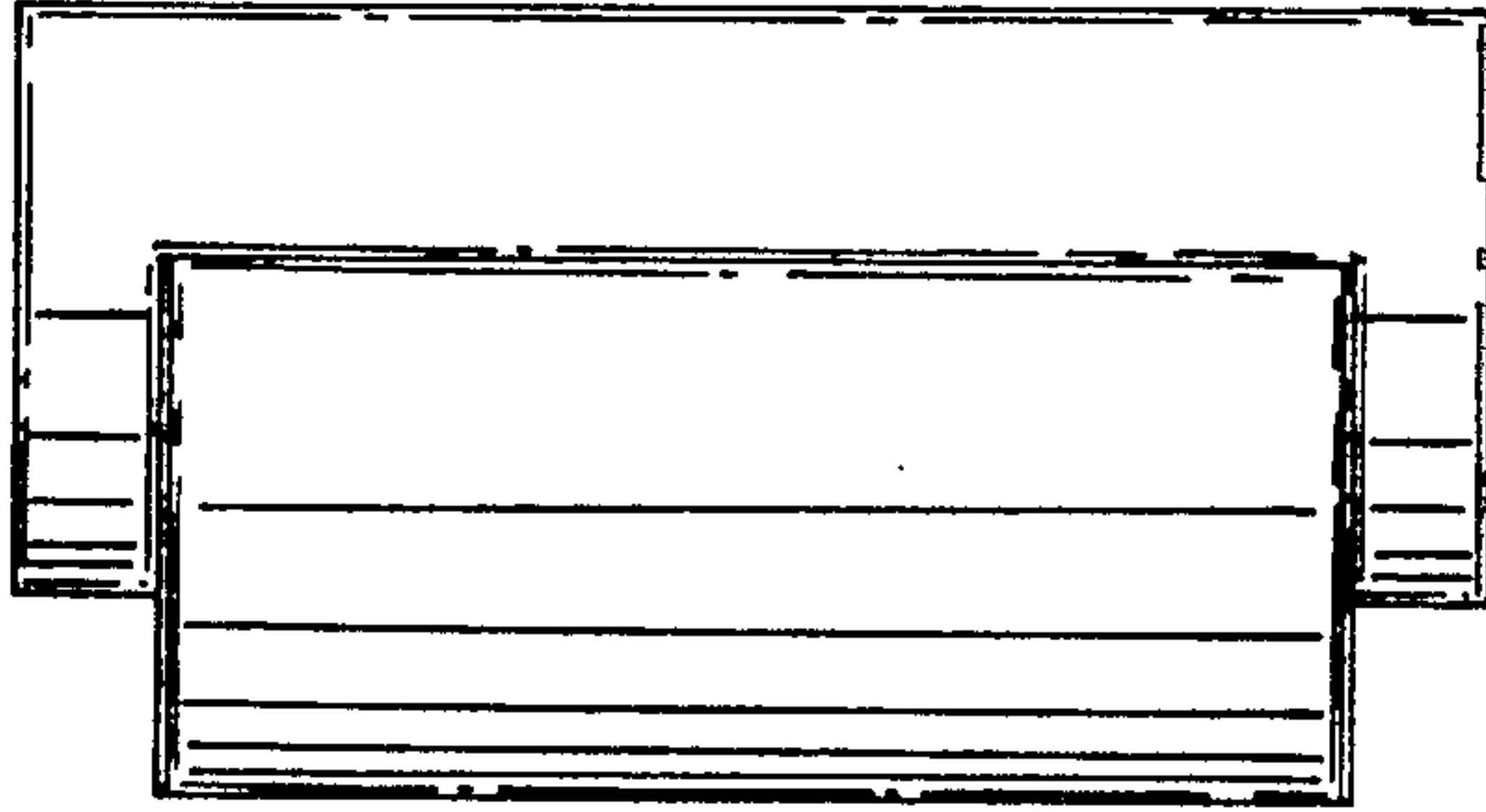


FIG. 2

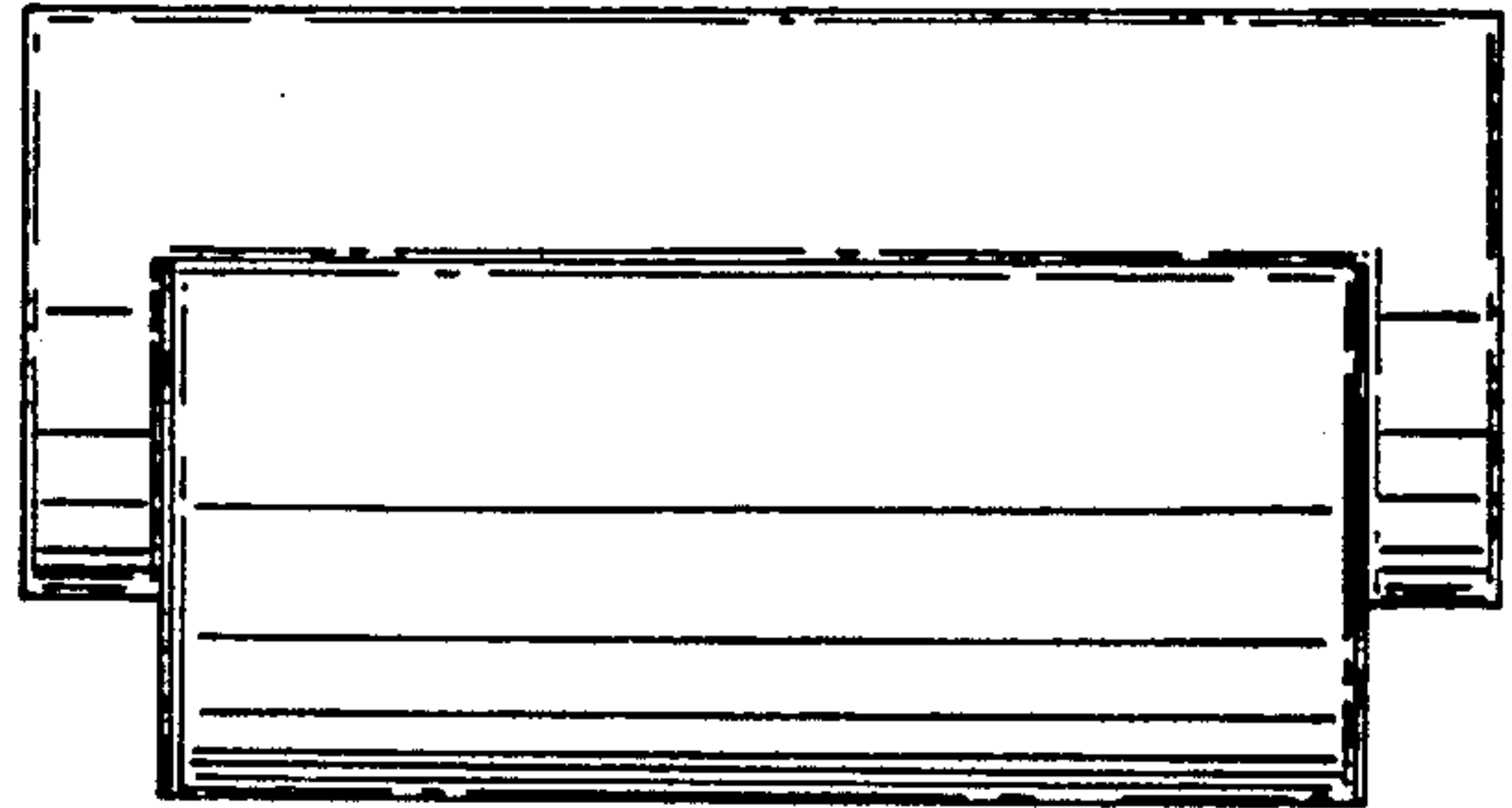


FIG. 3

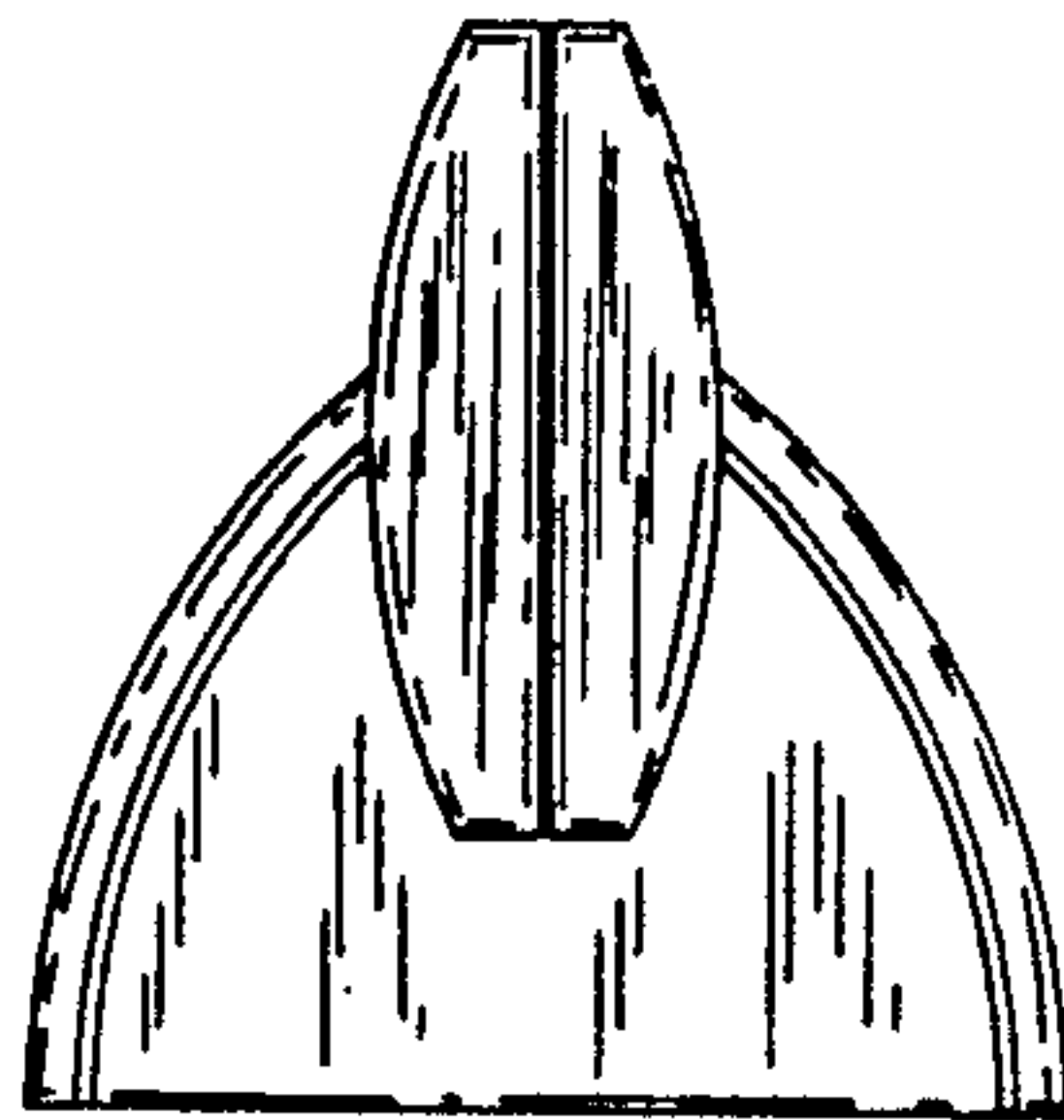


FIG. 4

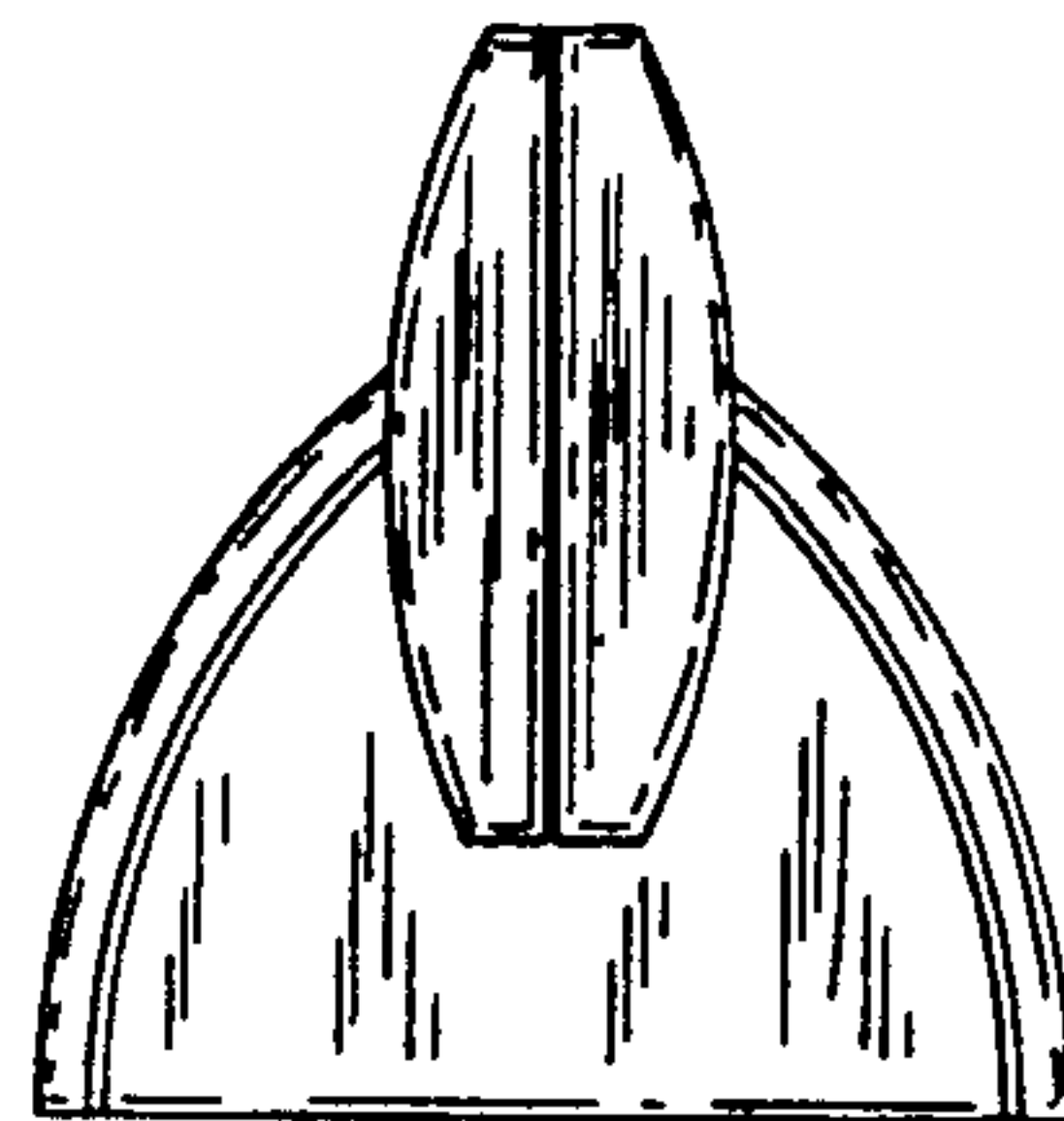


FIG. 5

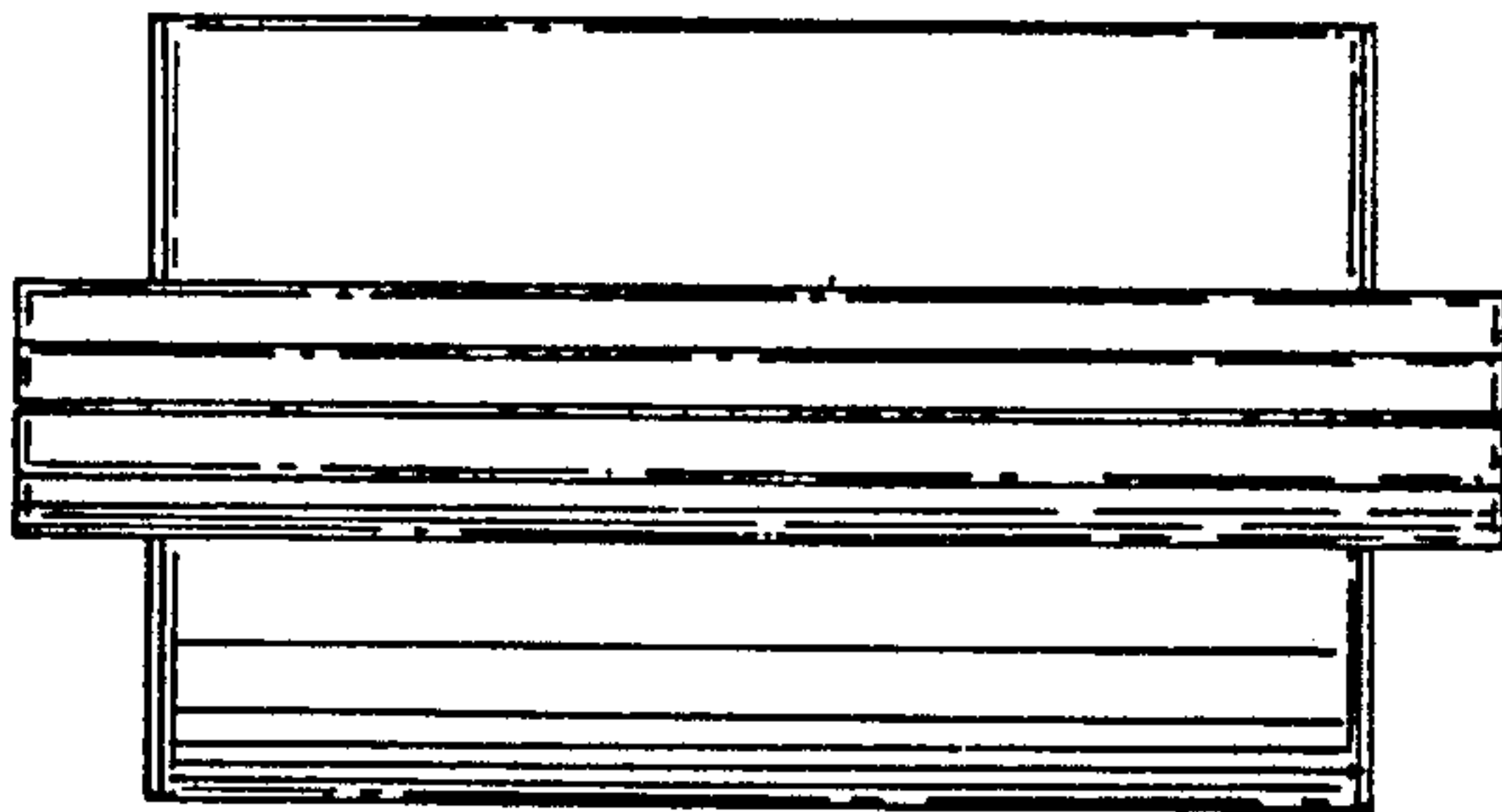


FIG. 6

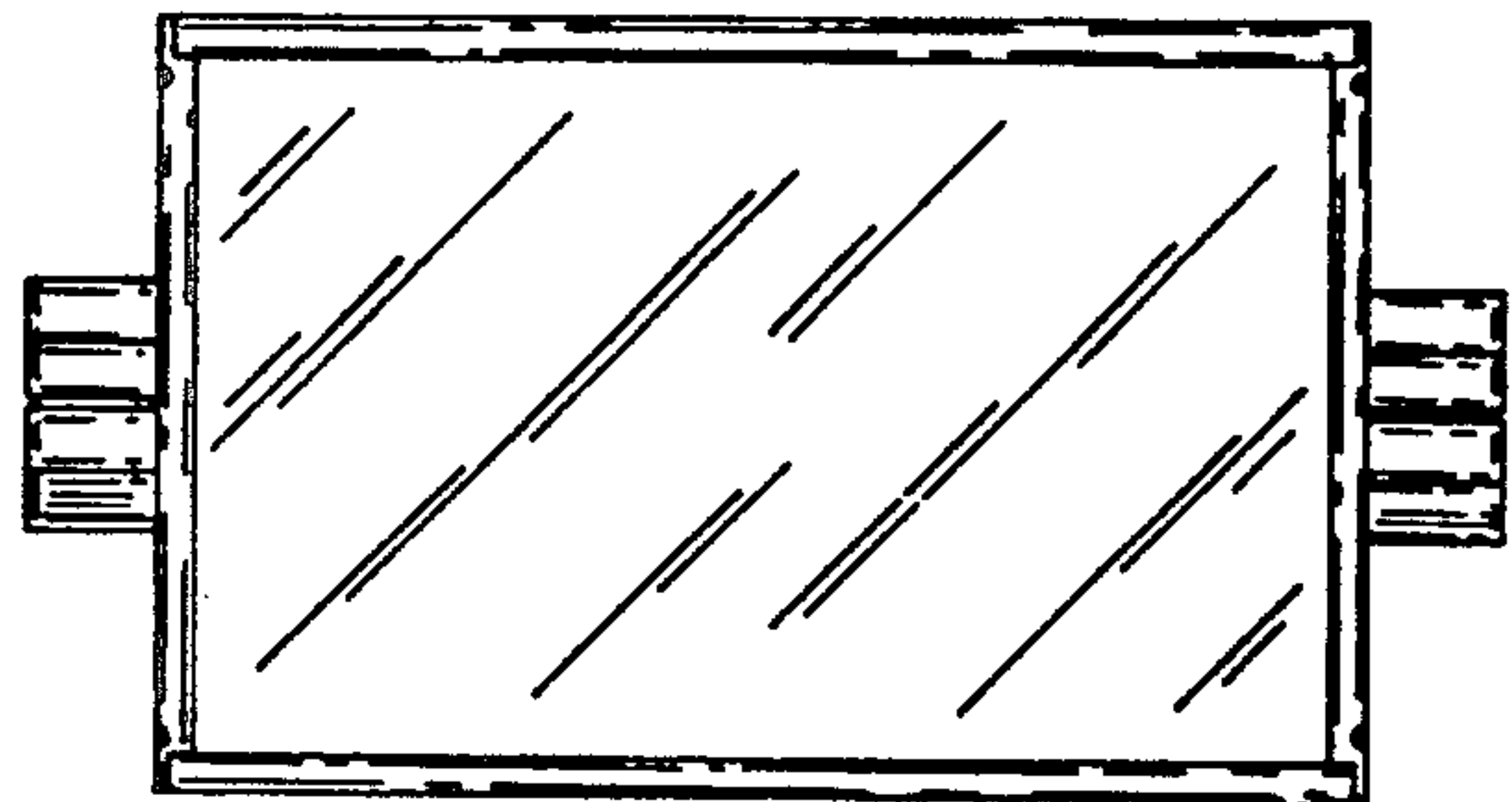


FIG. 7