



US00D330770S

United States Patent [19]

[11] Patent Number: Des. 330,770

Rodomista et al.

[45] Date of Patent: ** Nov. 3, 1992

[54] MODULAR BIOLOGICAL FLUID ANALYZER

57-82768 5/1982 Japan .

[75] Inventors: **Guy F. Rodomista**, Natick; **Robert L. Coleman**, Framingham; **Frederick F. Spaziani**, Lexington, all of Mass.

Primary Examiner—Stella Reid
Attorney, Agent, or Firm—Fish & Richardson

[73] Assignee: **Nova Biomedical Corporation**, Waltham, Mass.

[57] CLAIM

[**] Term: **14 Years**

The ornamental design for a modular biological fluid analyzer, as shown and described.

[21] Appl. No.: **408,786**

DESCRIPTION

[22] Filed: **Sep. 18, 1989**

[52] U.S. Cl. **D24/216; D24/186**

[58] Field of Search **D24/186, 216, 232; 422/101, 50, 68.1, 63-67**

[56] References Cited

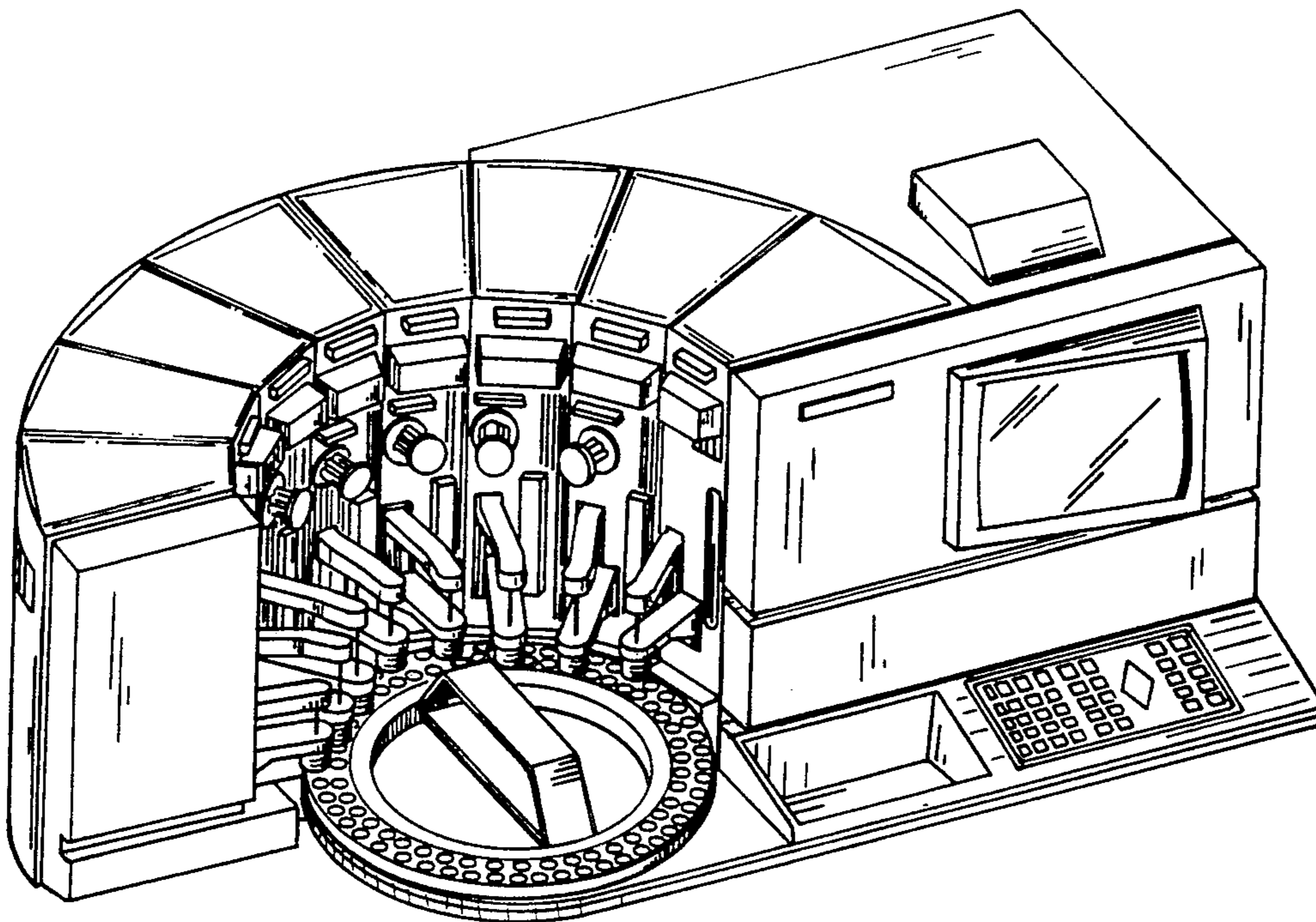
U.S. PATENT DOCUMENTS

- D. 243,037 1/1977 Spiro D24/190
- D. 264,873 6/1982 Olson et al. D24/186 X
- D. 272,087 1/1984 Smith D24/216
- D. 272,467 1/1984 Nightingale D24/188
- D. 319,100 8/1991 Umemoto et al. D24/232 X
- 3,648,308 3/1972 Greenawalt D6/601 X
- 3,748,044 7/1973 Liston 356/180
- 4,965,049 10/1990 Lillig et al. 422/68.1

FOREIGN PATENT DOCUMENTS

- 193016 9/1986 European Pat. Off. .
- 299659 1/1989 European Pat. Off. .
- 303524 2/1989 European Pat. Off. .
- 3016294 10/1981 Fed. Rep. of Germany .
- 53-22493 1/1978 Japan .

FIG. 1 is a perspective view of a modular biological fluid analyzer, showing our new design;
 FIG. 2 is a front elevational view thereof;
 FIG. 3 is a side elevational view thereof;
 FIG. 4 is a side elevational view thereof, opposite that shown in FIG. 3;
 FIG. 5 is a top plan view thereof;
 FIG. 6 is a rear elevational view thereof;
 FIG. 7 is a bottom plan view thereof;
 FIG. 8 is a perspective view thereof, the broken line showing being for illustrative purposes only and forming no part of the claimed design;
 FIG. 9 is a perspective view of a second embodiment of the modular biological fluid analyzer, showing our new design;
 FIG. 10 is a front elevational view thereof;
 FIG. 11 is a side elevational view thereof;
 FIG. 12 is a side elevational view thereof, opposite that shown in FIG. 11;
 FIG. 13 is a top plan view thereof;
 FIG. 14 is a rear elevational view thereof;
 FIG. 15 is a bottom plan view thereof; and,
 FIG. 16 is a perspective view thereof, the broken line showing being for illustrative purposes only and forming no part to the claimed design.



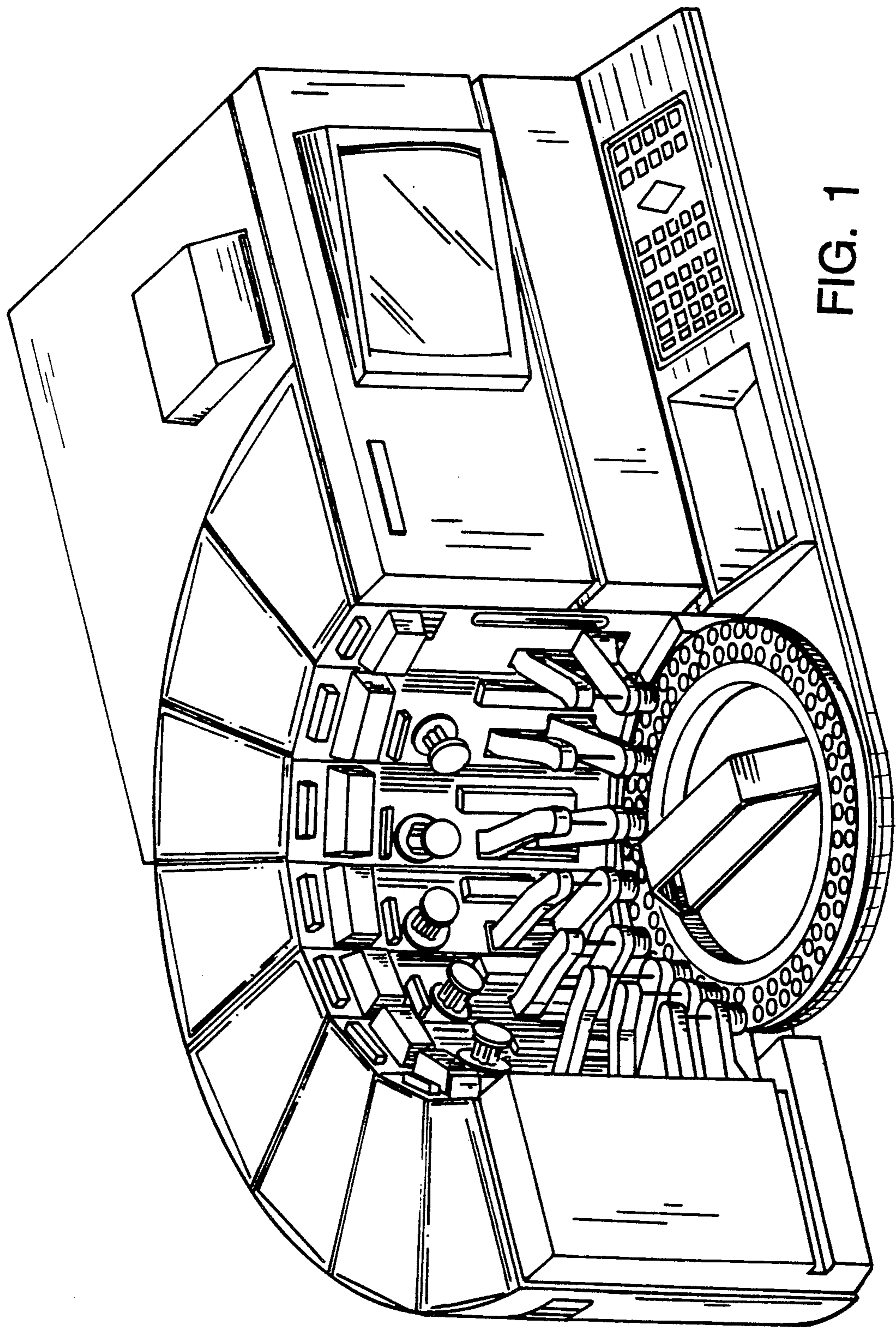


FIG. 1

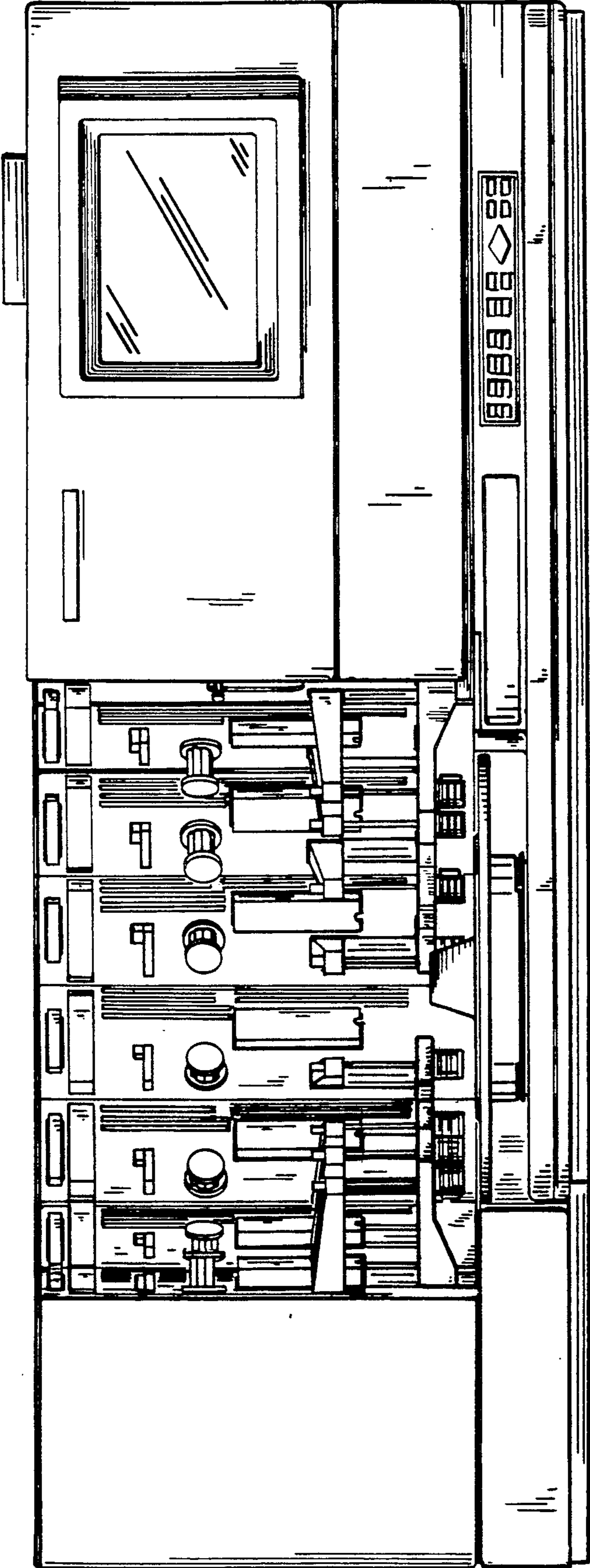


FIG. 2

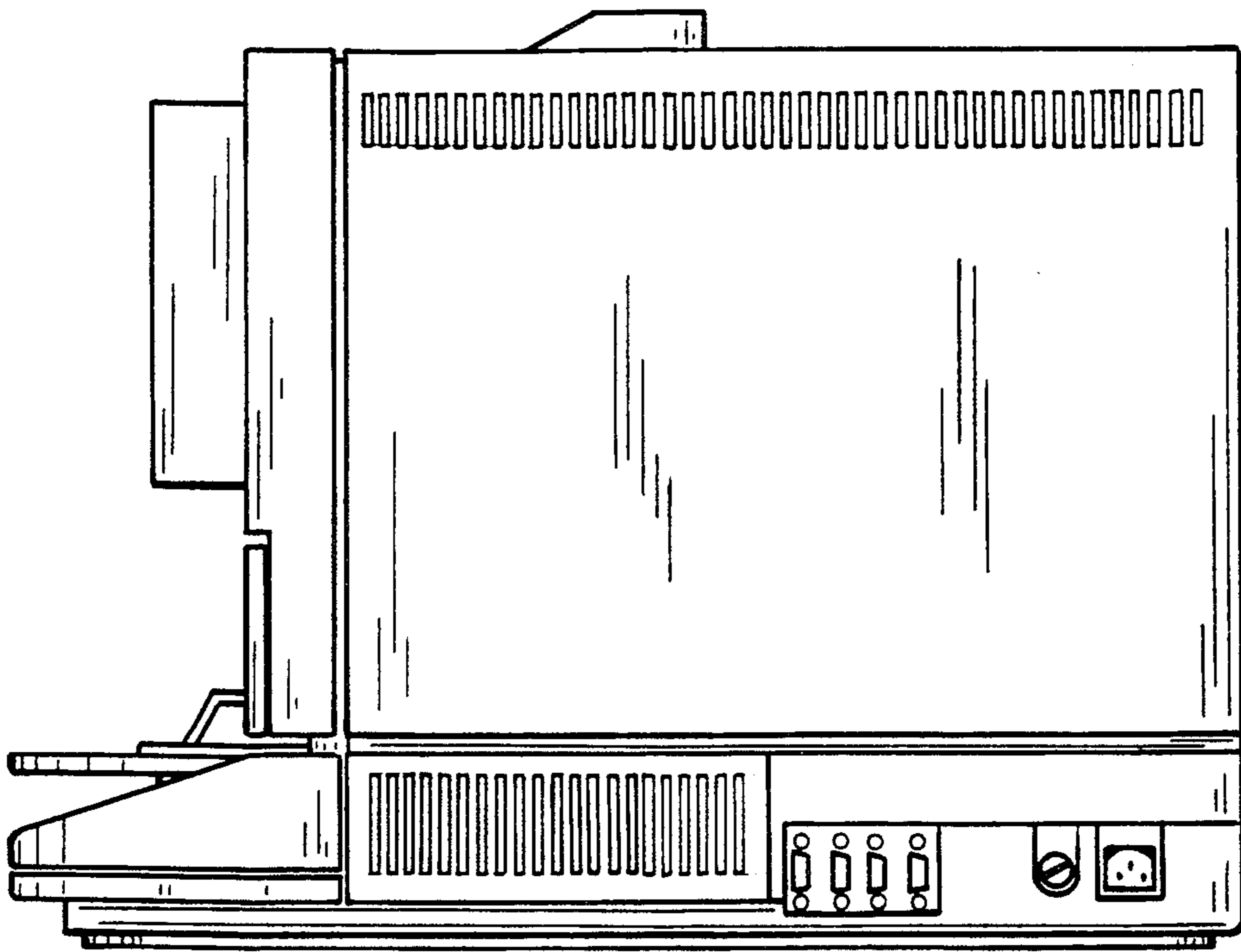


FIG. 3

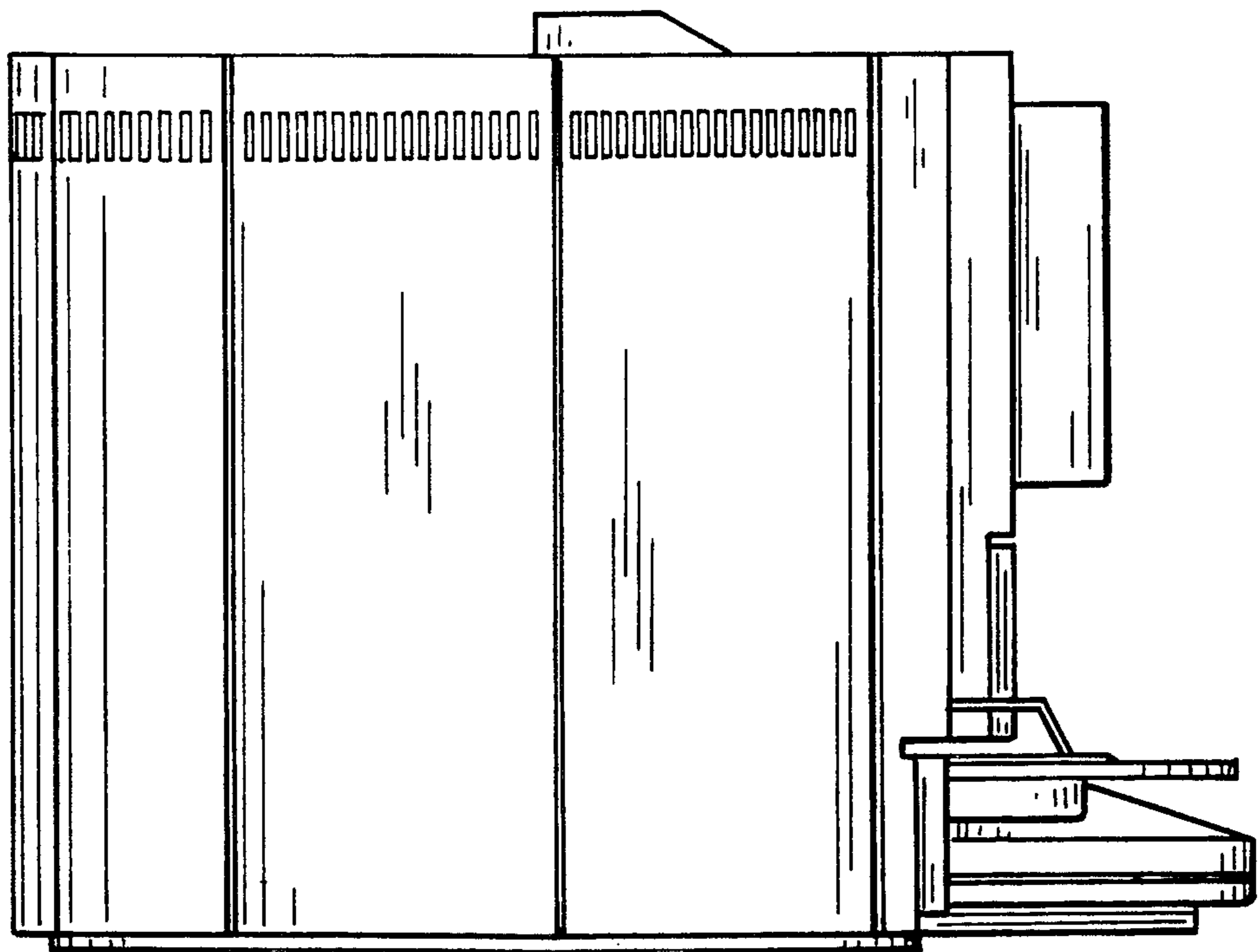


FIG. 4

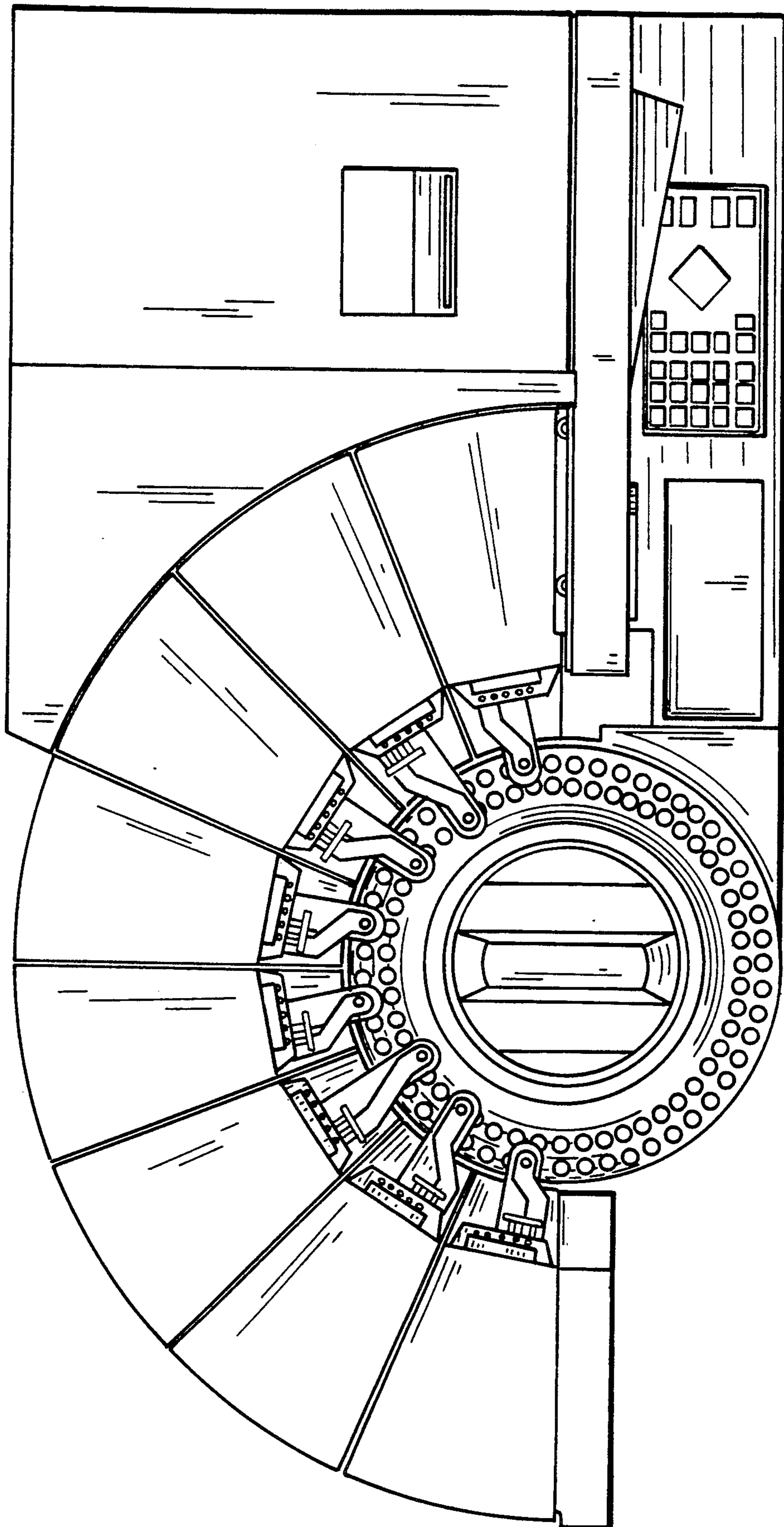


FIG. 5

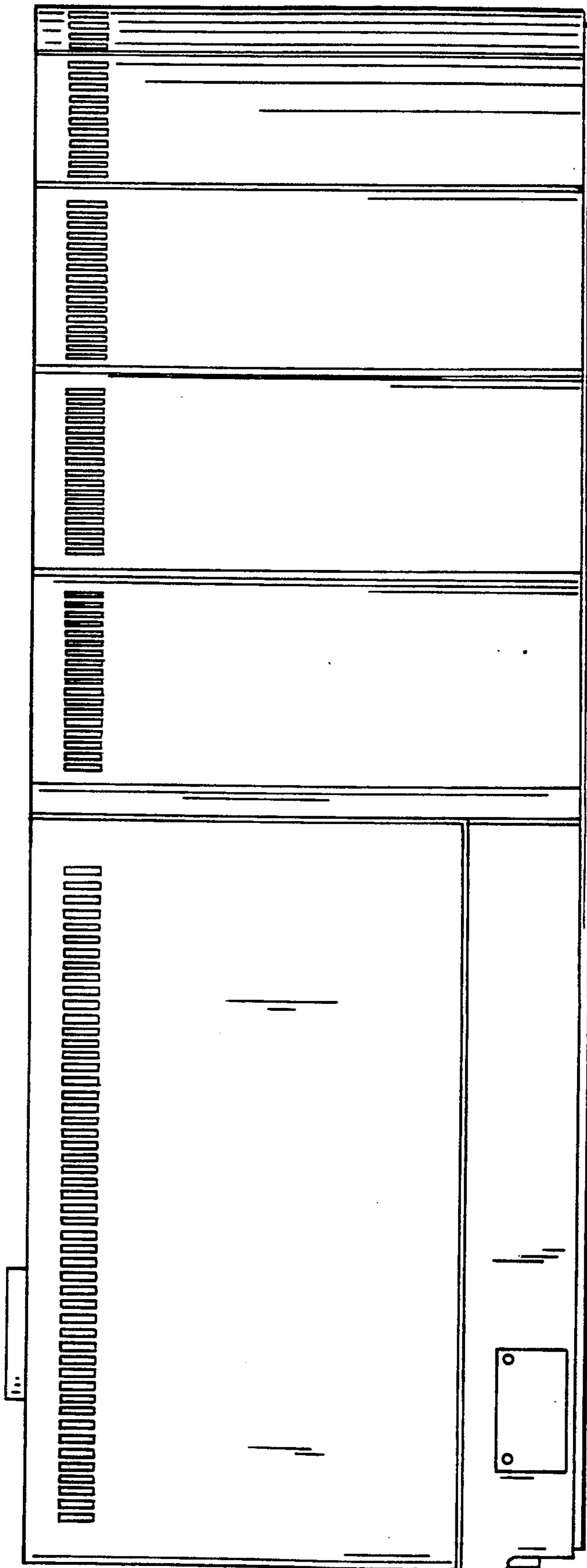


FIG. 6

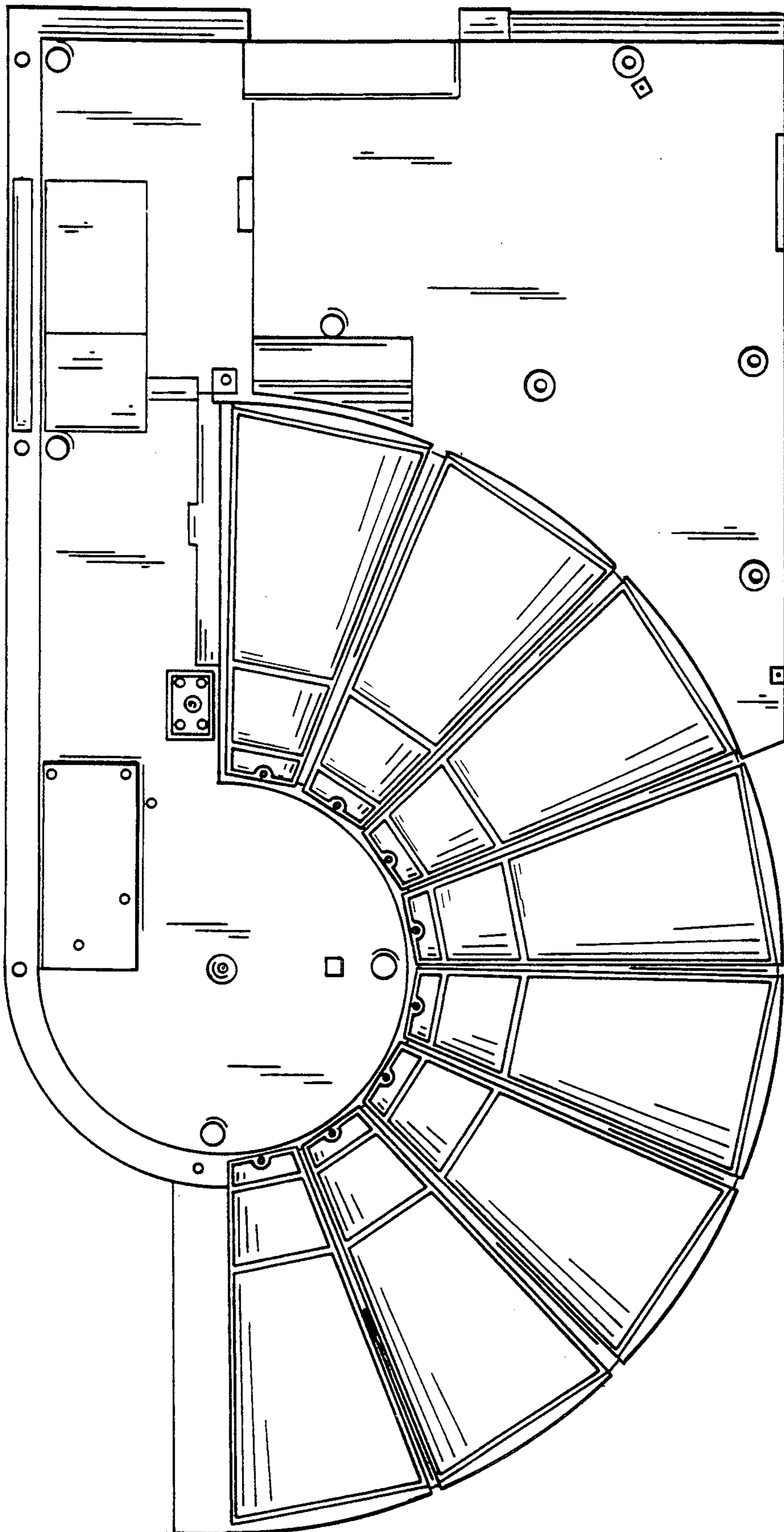


FIG. 7

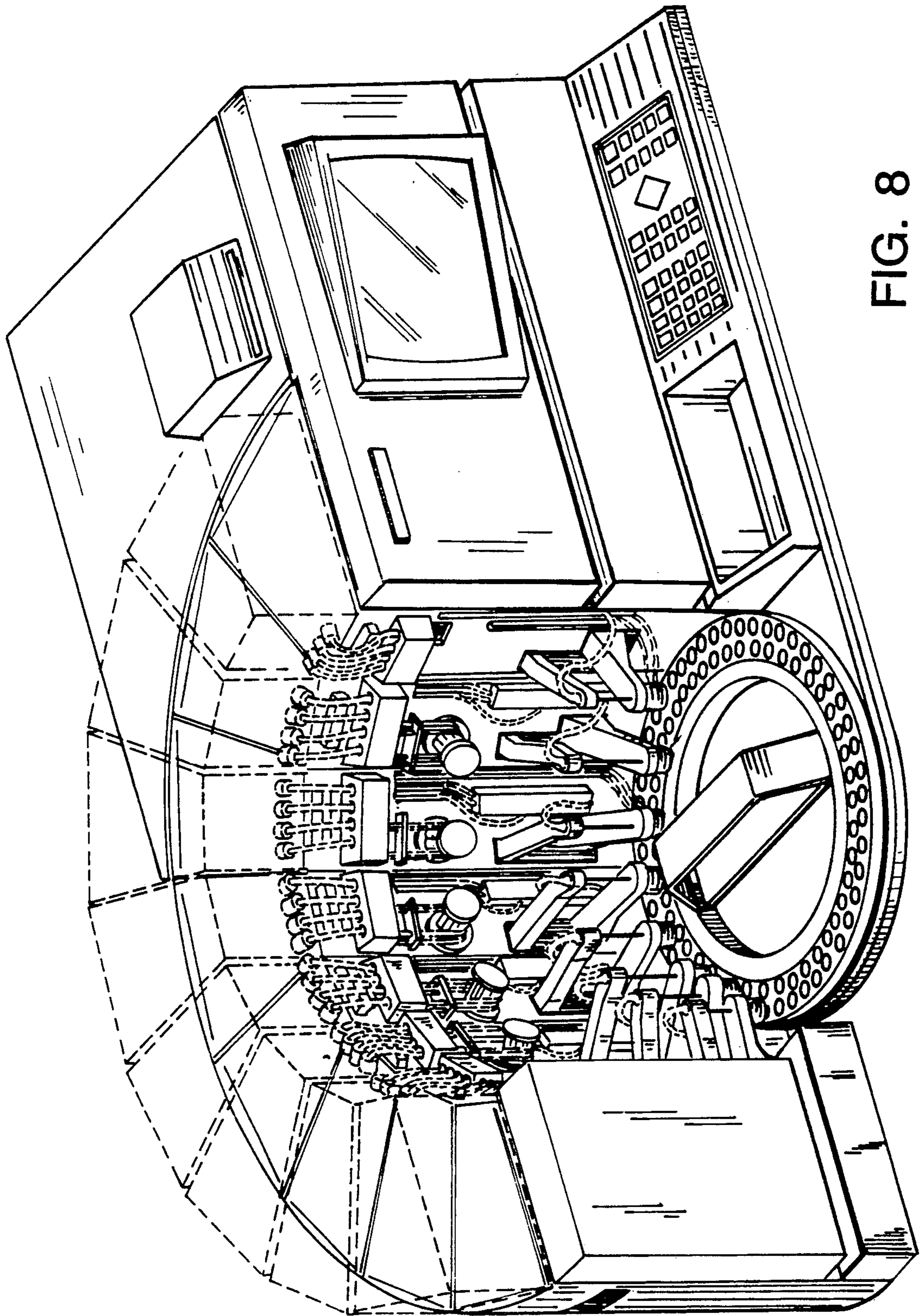


FIG. 8

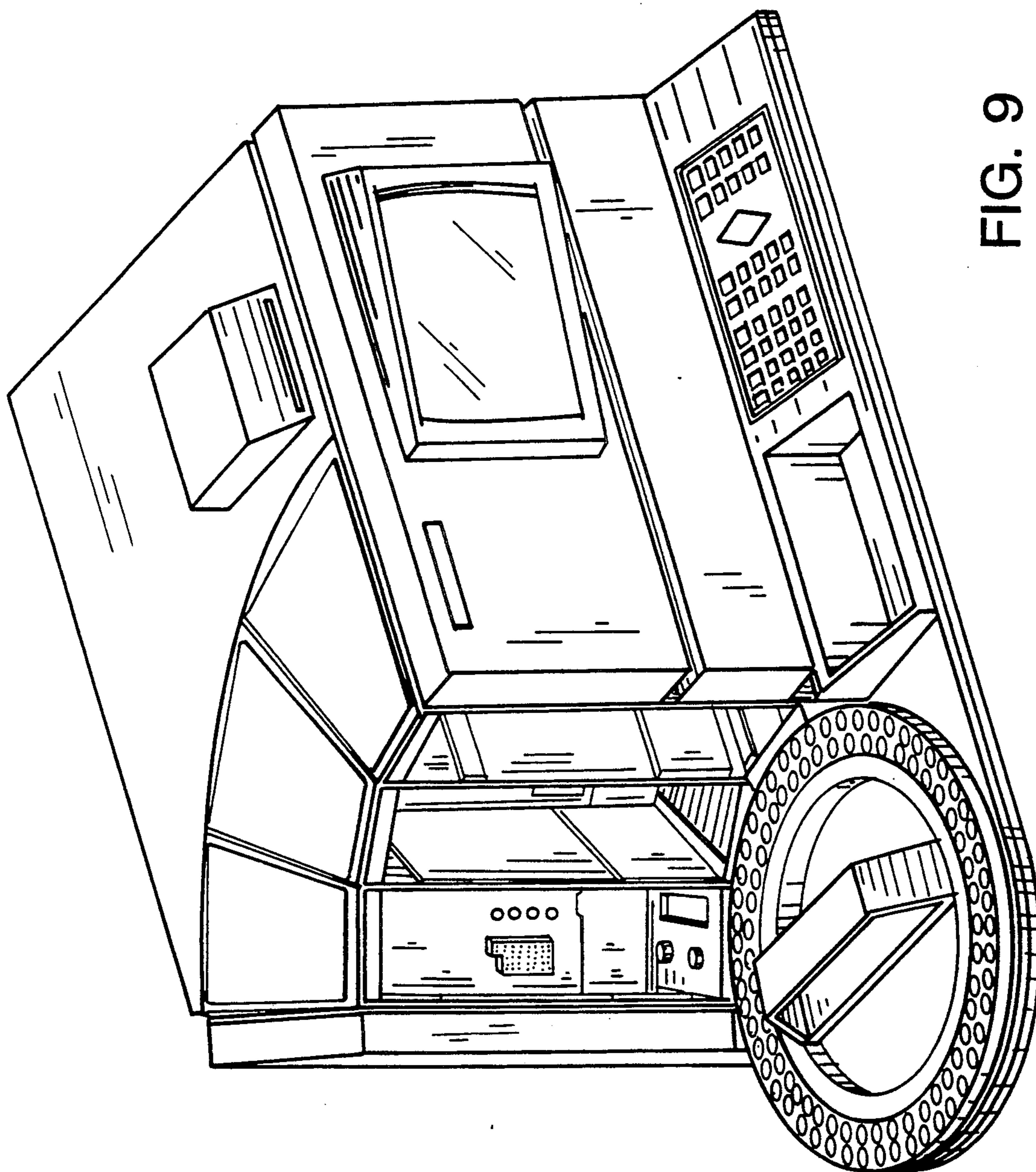


FIG. 9

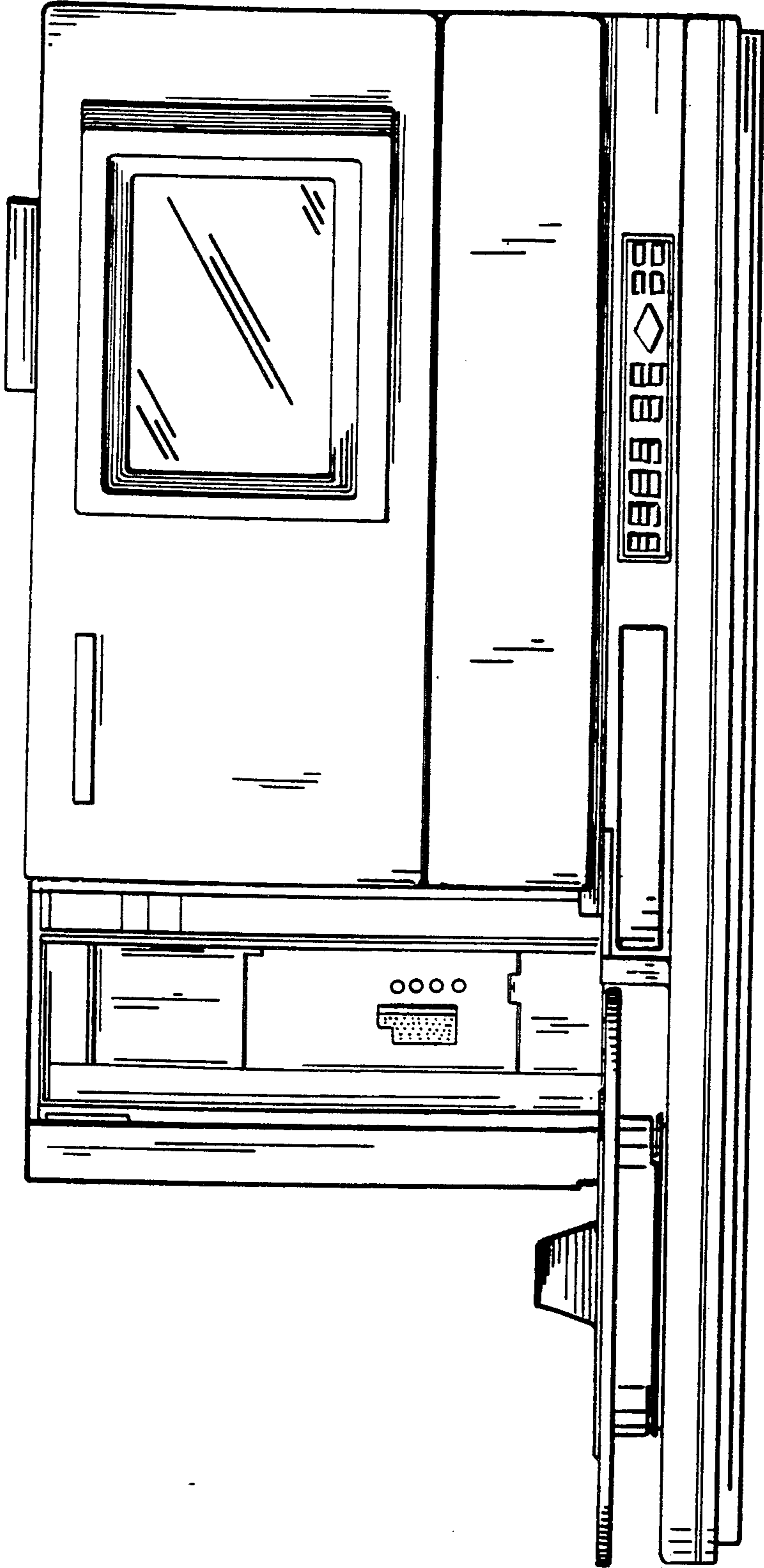


FIG. 10

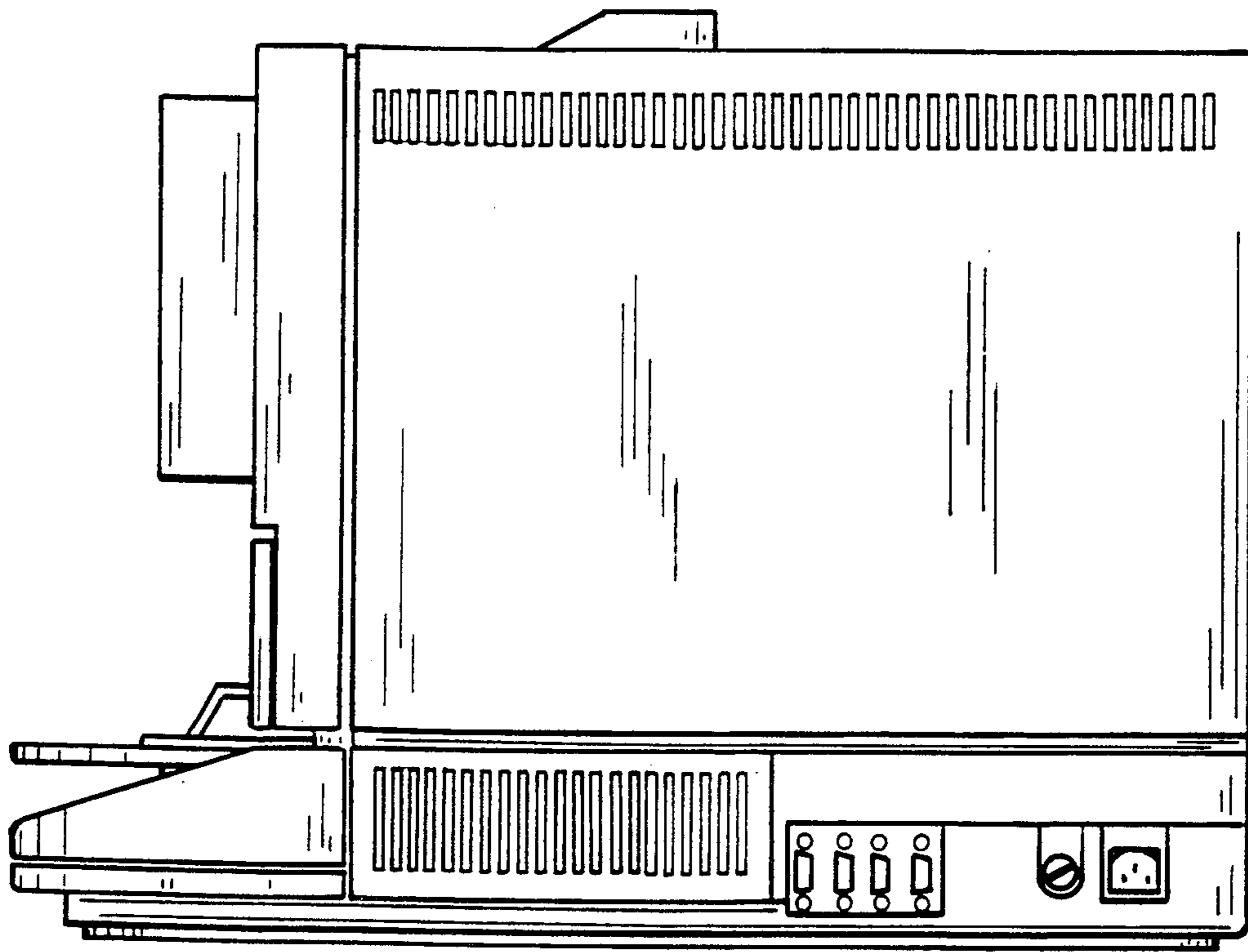


FIG. 11

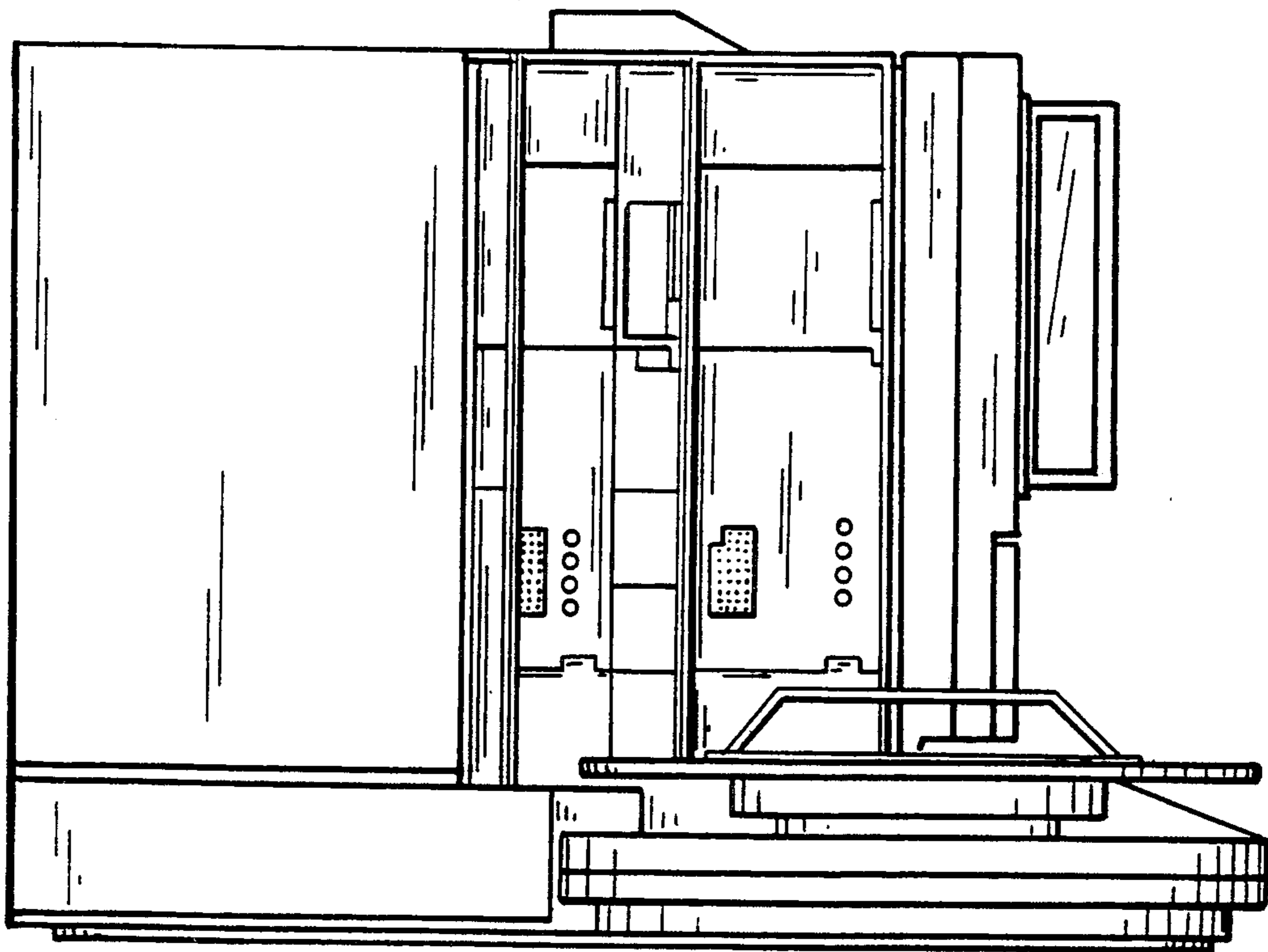


FIG. 12

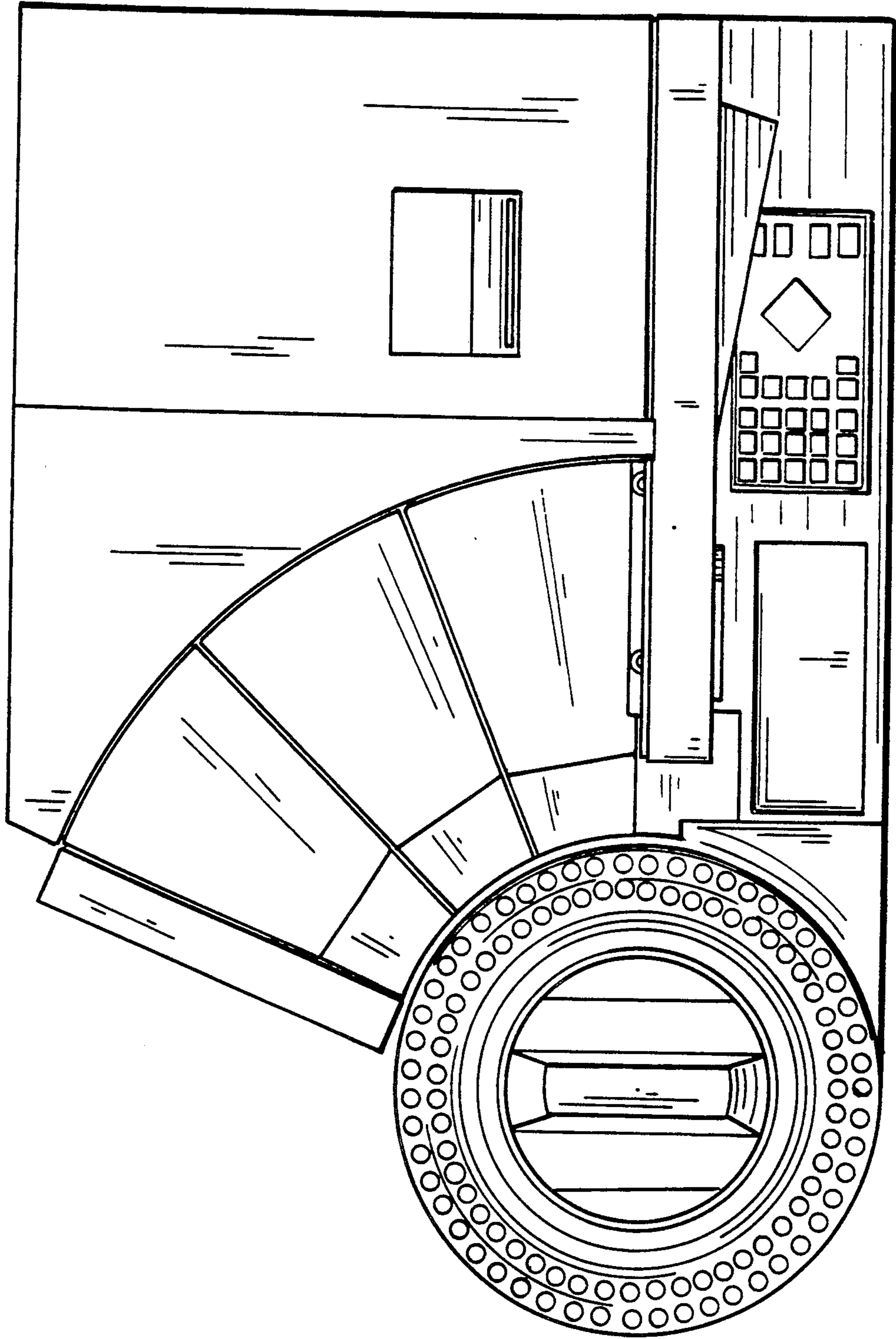


FIG. 13

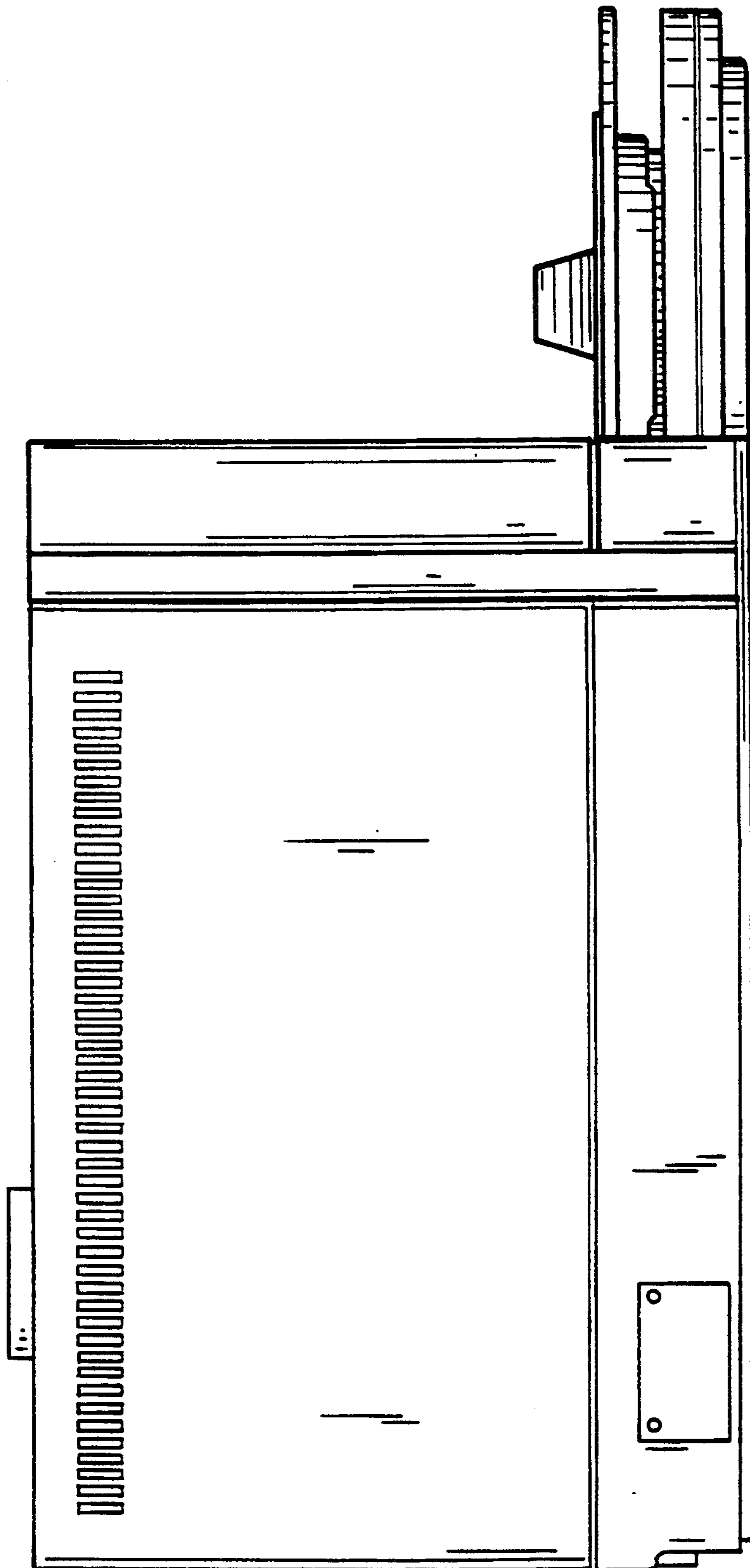


FIG. 14

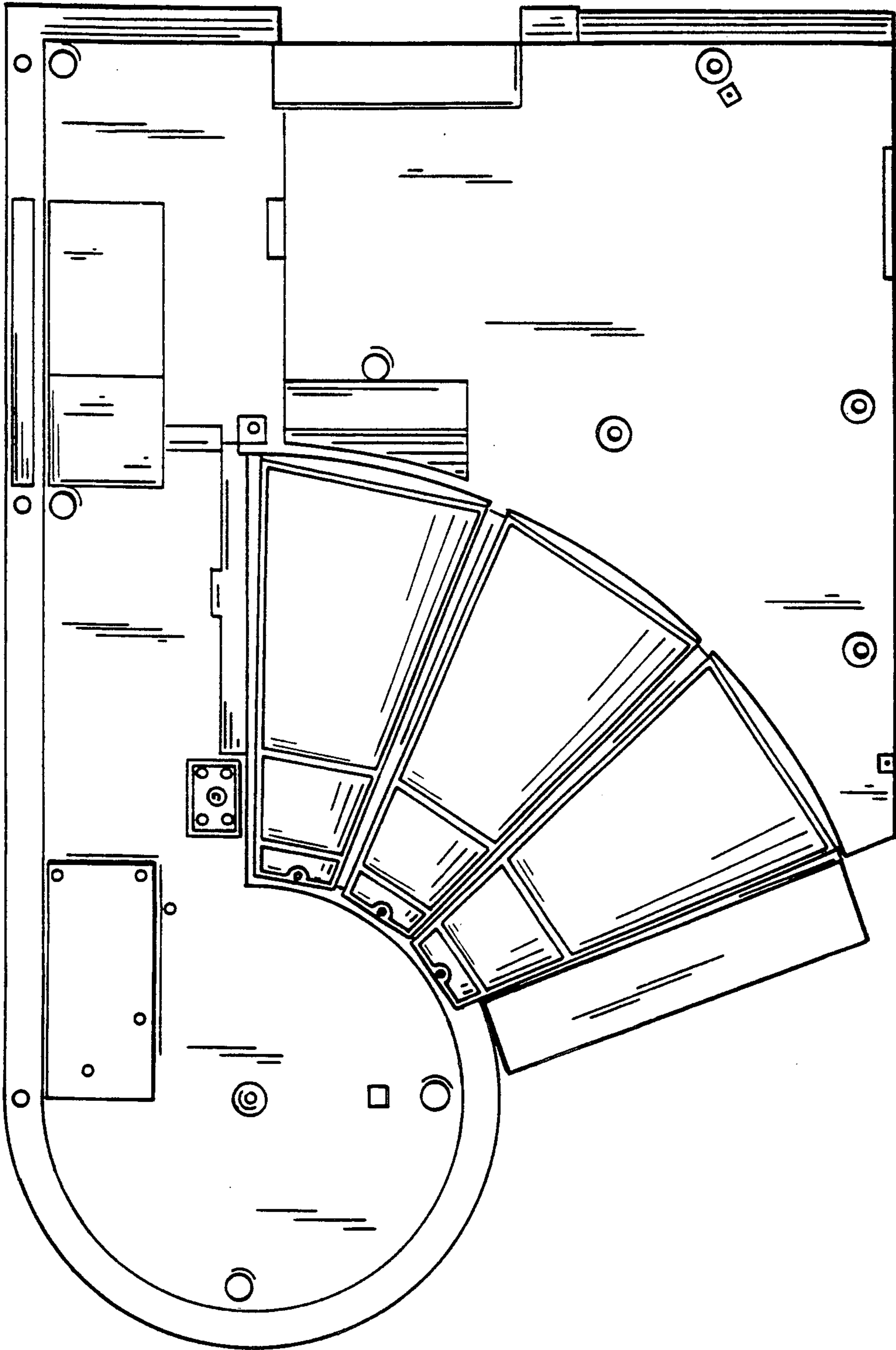


FIG. 15

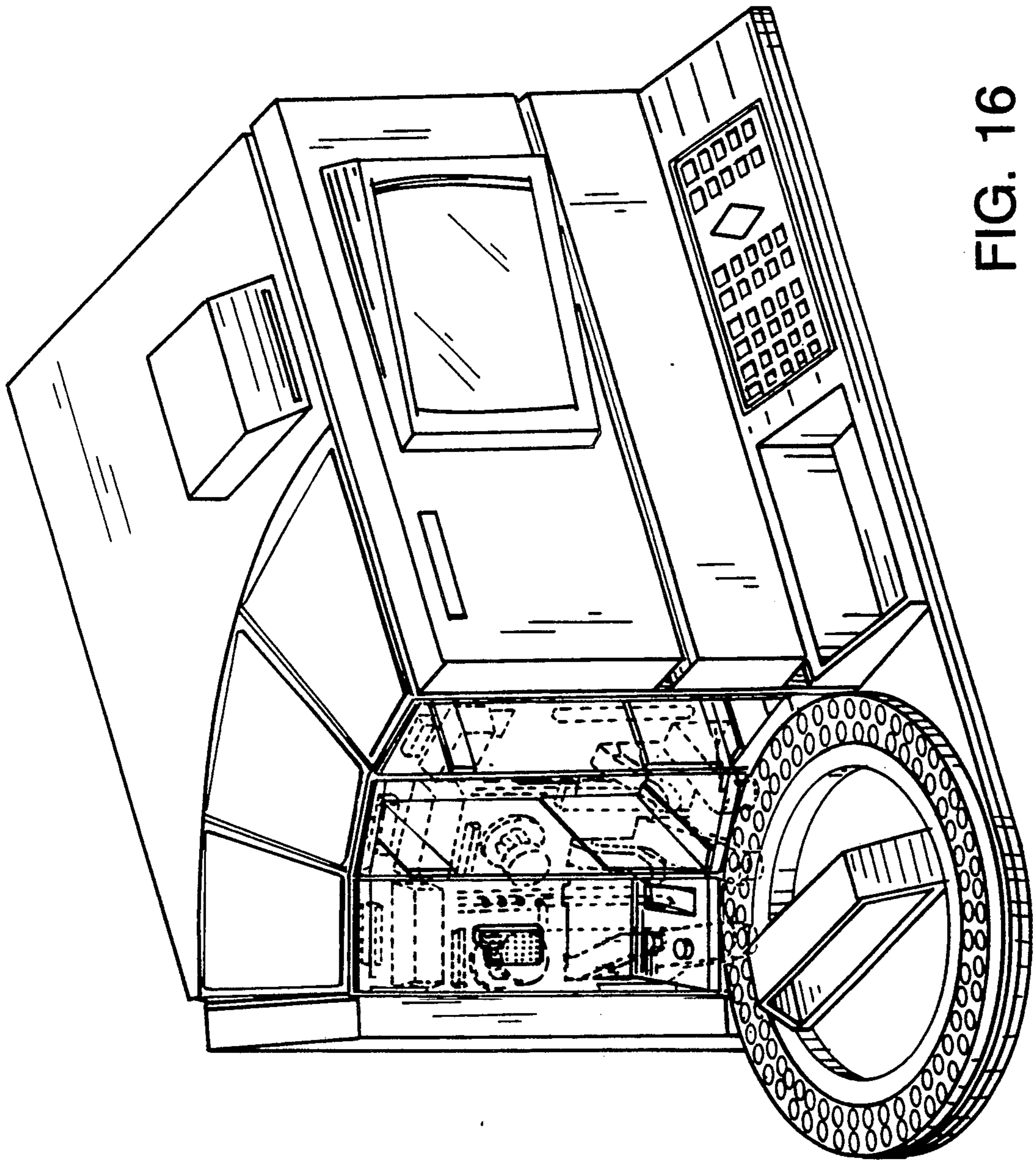


FIG. 16