



US00D330769S

# United States Patent [19]

[11] Patent Number: **Des. 330,769**

**Blaha et al.**

[45] Date of Patent: **\*\* Nov. 3, 1992**

## [54] CONFOCAL LASER-SCANNING OPTHALMOSCOPE

[75] Inventors: **Erich Blaha**, Essingen; **Gerhard Gaida**, Aalen, both of Fed. Rep. of Germany

[73] Assignee: **Carl-Zeiss-Stiftung, Heidenheim/Brenz**, Oberkochen, Fed. Rep. of Germany

[\*\*] Term: **14 Years**

[21] Appl. No.: **617,069**

[22] Filed: **Nov. 21, 1990**

### Related U.S. Application Data

[63] Continuation-in-part of Ser. No. 508,403, Apr. 12, 1990.

### [30] Foreign Application Priority Data

Oct. 25, 1989 [DE] Fed. Rep. of Germany ..... 8907441

[52] U.S. Cl. .... **D24/172; D24/137**

[58] Field of Search ..... **D24/137, 172; 351/200, 351/205, 206, 209, 227, 221, 214**

### [56] References Cited

#### U.S. PATENT DOCUMENTS

- D. 316,144 4/1991 Nishimura ..... D24/172
- D. 320,077 9/1991 Koizumi ..... D24/172
- 4,407,572 10/1983 Humphrey ..... D24/172 X

4,431,279 2/1984 Morohashi ..... 351/221 X

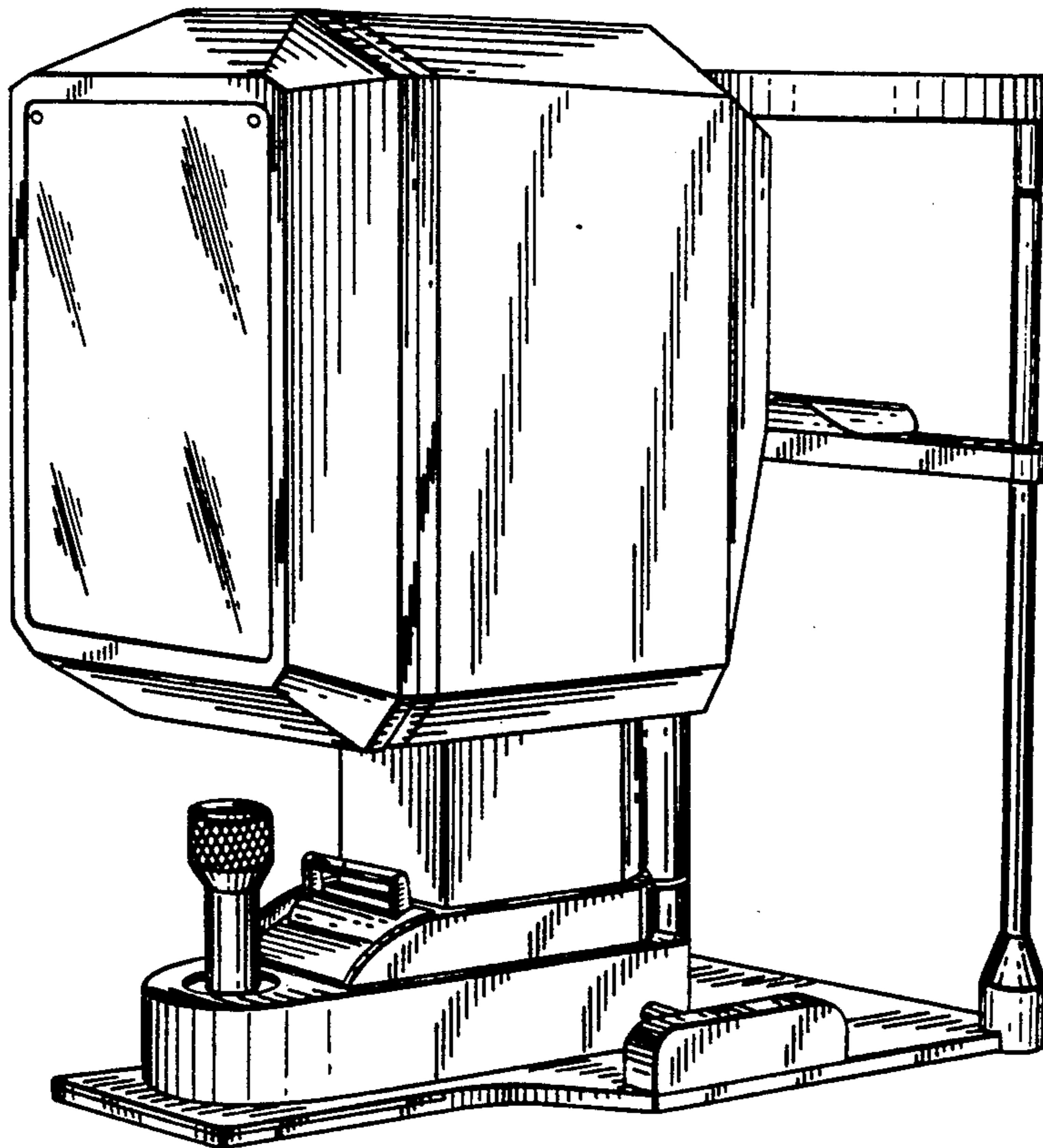
*Primary Examiner*—Stella Reid  
*Assistant Examiner*—I. Simmons  
*Attorney, Agent, or Firm*—Hopgood, Calimafde, Kalil, Blaustein & Judlowe

### [57] CLAIM

The ornamental design for a confocal laser-scanning ophthalmoscope, as shown and described.

### DESCRIPTION

FIG. 1 is a front elevational view of confocal laser-scanning ophthalmoscope, showing our new design;  
 FIG. 2 is a side elevational view thereof;  
 FIG. 3 is a rear elevational view thereof;  
 FIG. 4 is a rear perspective view thereof;  
 FIG. 5 is a front perspective view thereof;  
 FIG. 6 is a perspective view thereof opposite that shown in FIG. 5;  
 FIG. 7 is a top plan view thereof;  
 FIG. 8 is a bottom plan view thereof;  
 FIG. 9 is a front elevational view of a second embodiment of the confocal laser-scanning ophthalmoscope, showing our new design;  
 FIG. 10 is a side elevational view thereof;  
 FIG. 11 is a side elevational view thereof opposite that shown in FIG. 10;  
 FIG. 12 is a top plan view thereof;  
 FIG. 13 is a bottom plan view thereof; and,  
 FIG. 14 is a rear elevational view thereof.



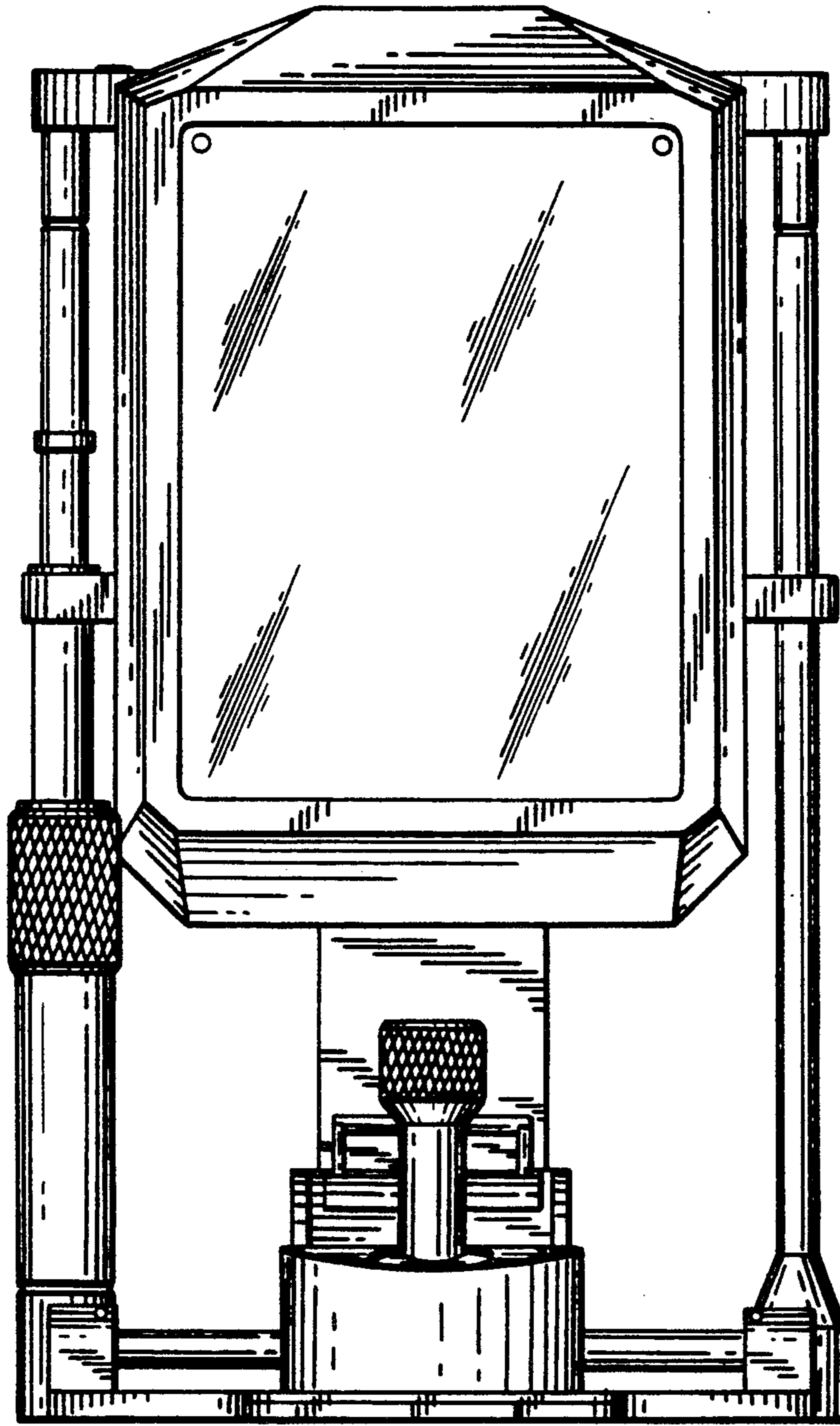


FIG. 1

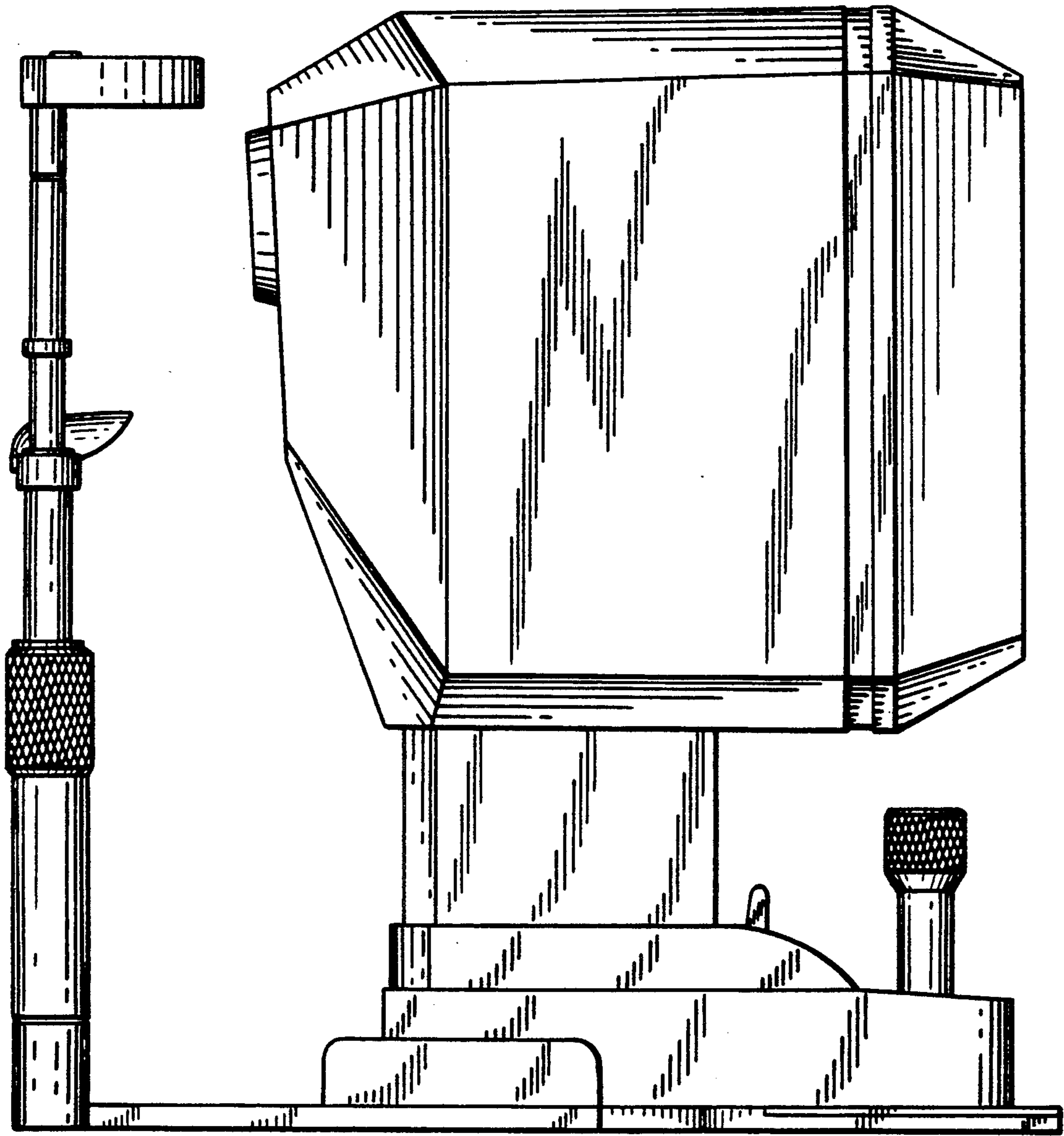


FIG. 2

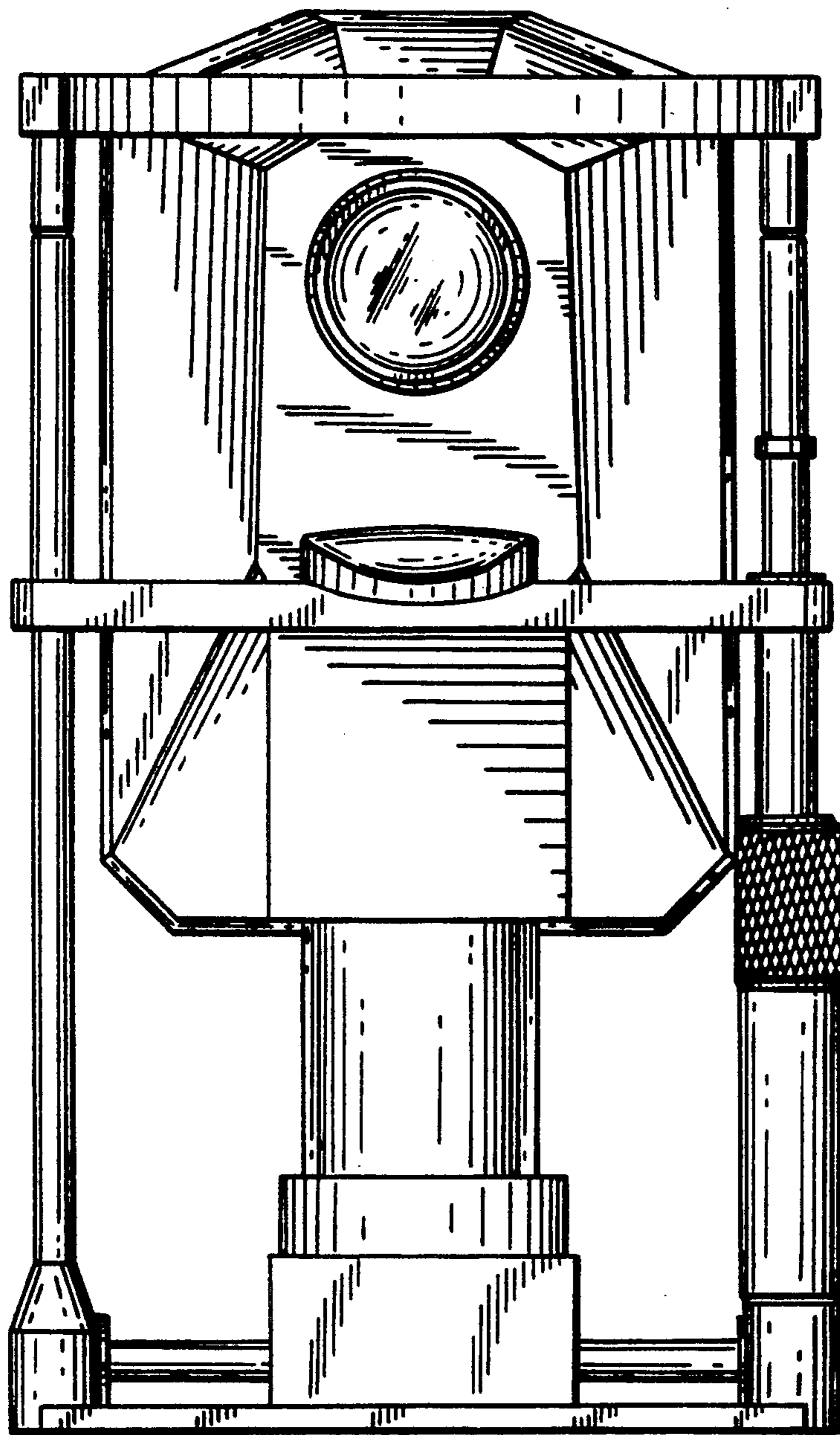


FIG. 3

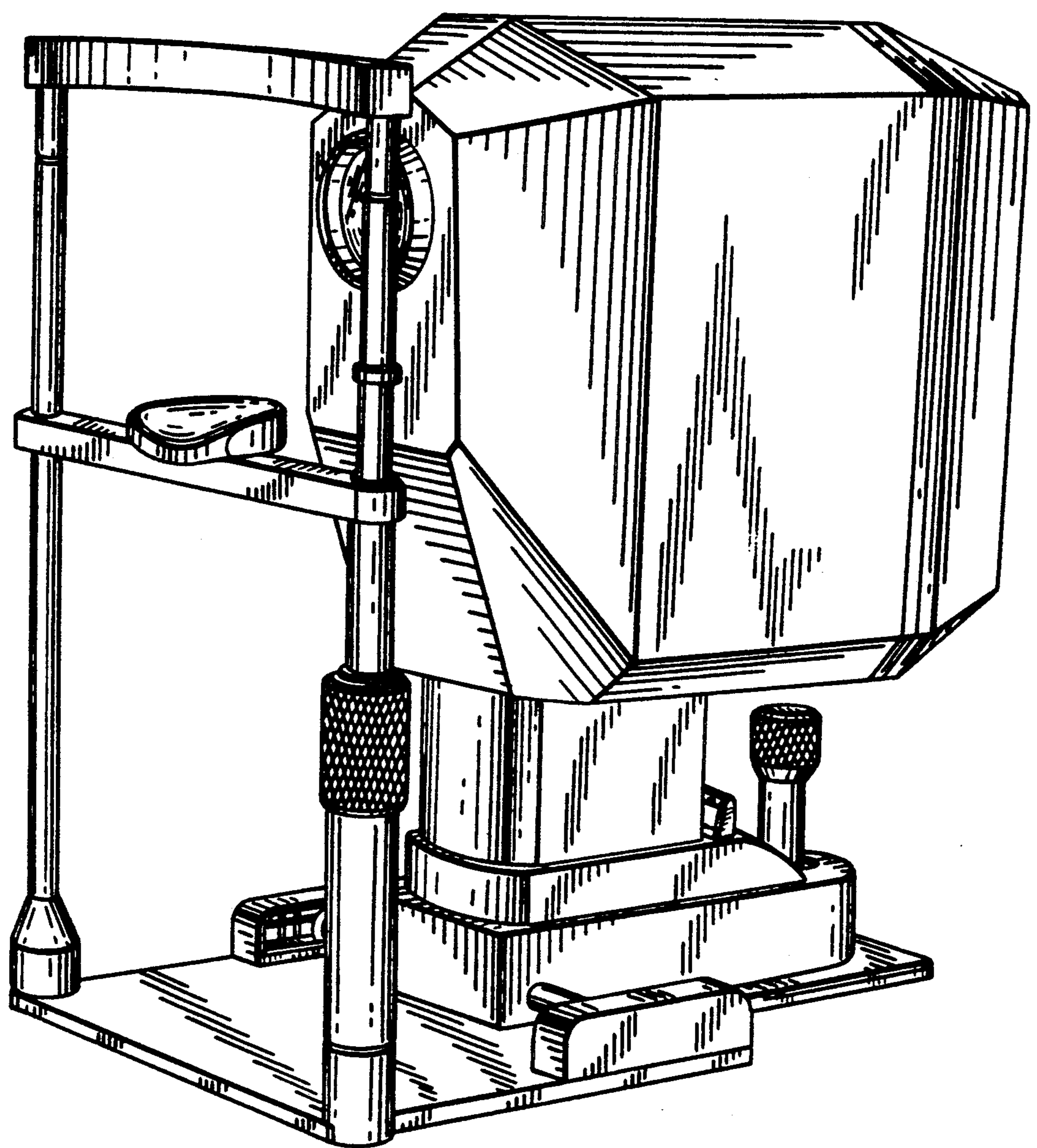


FIG. 4

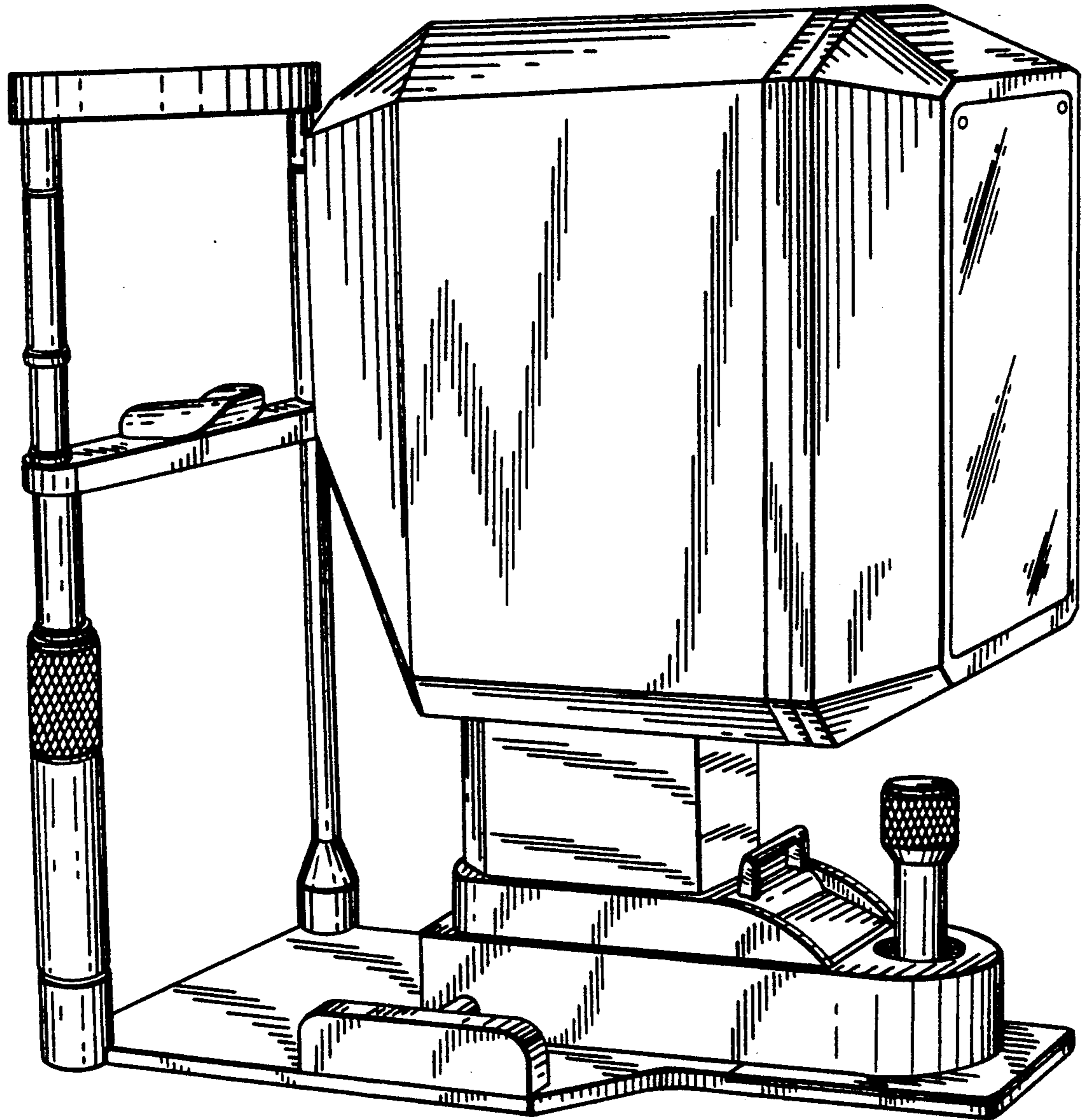


FIG 5

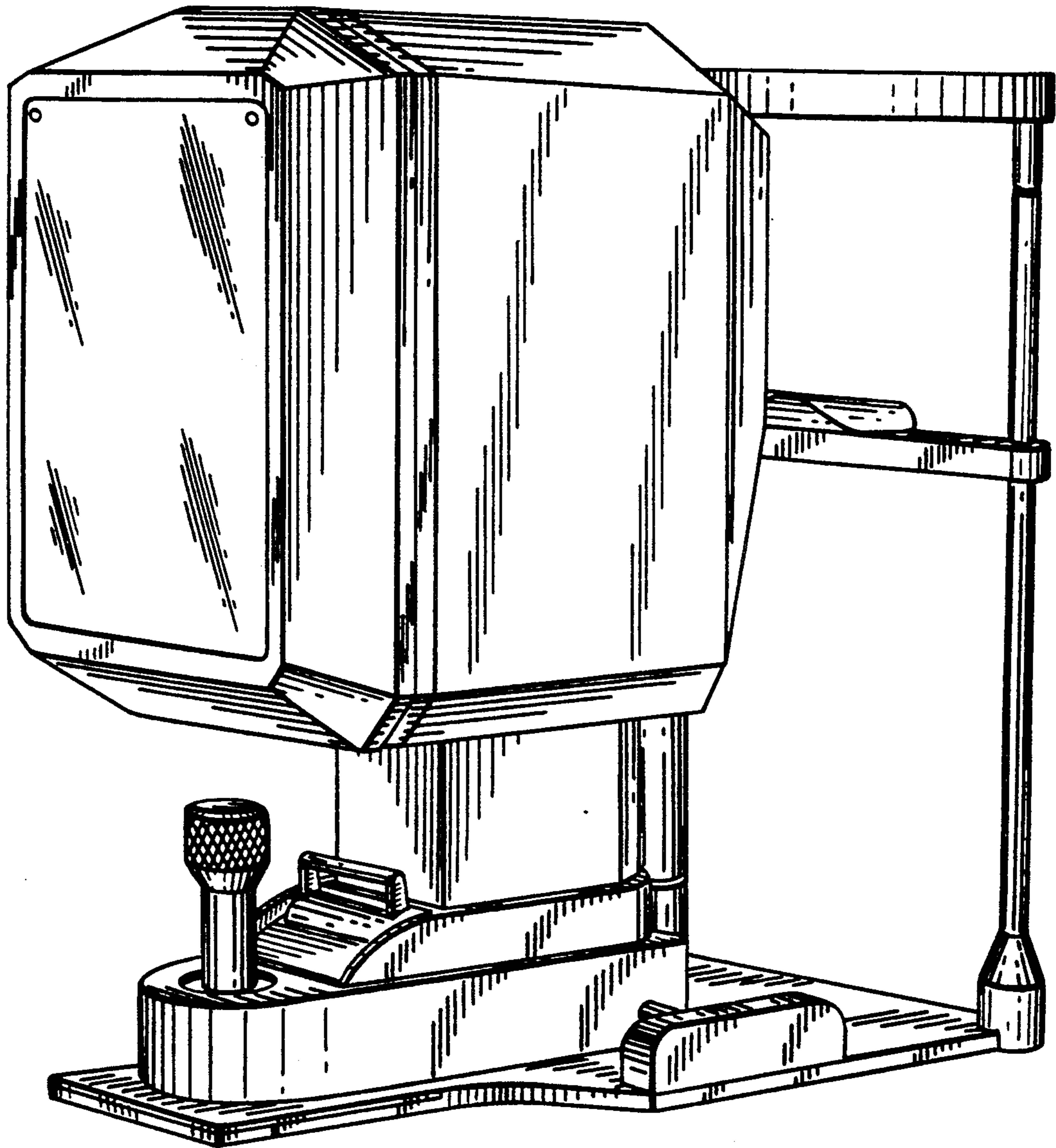


FIG. 6

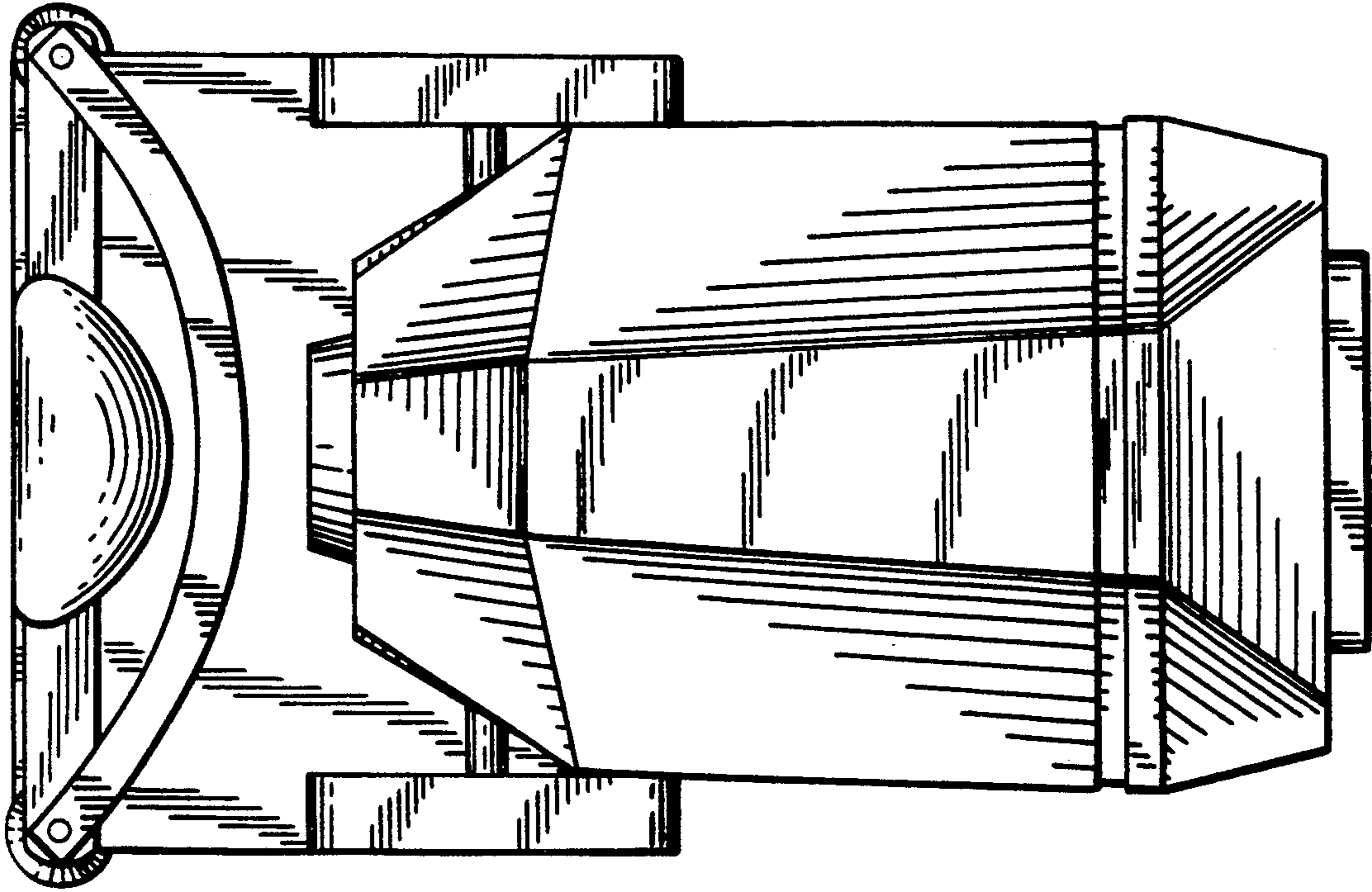


FIG. 7

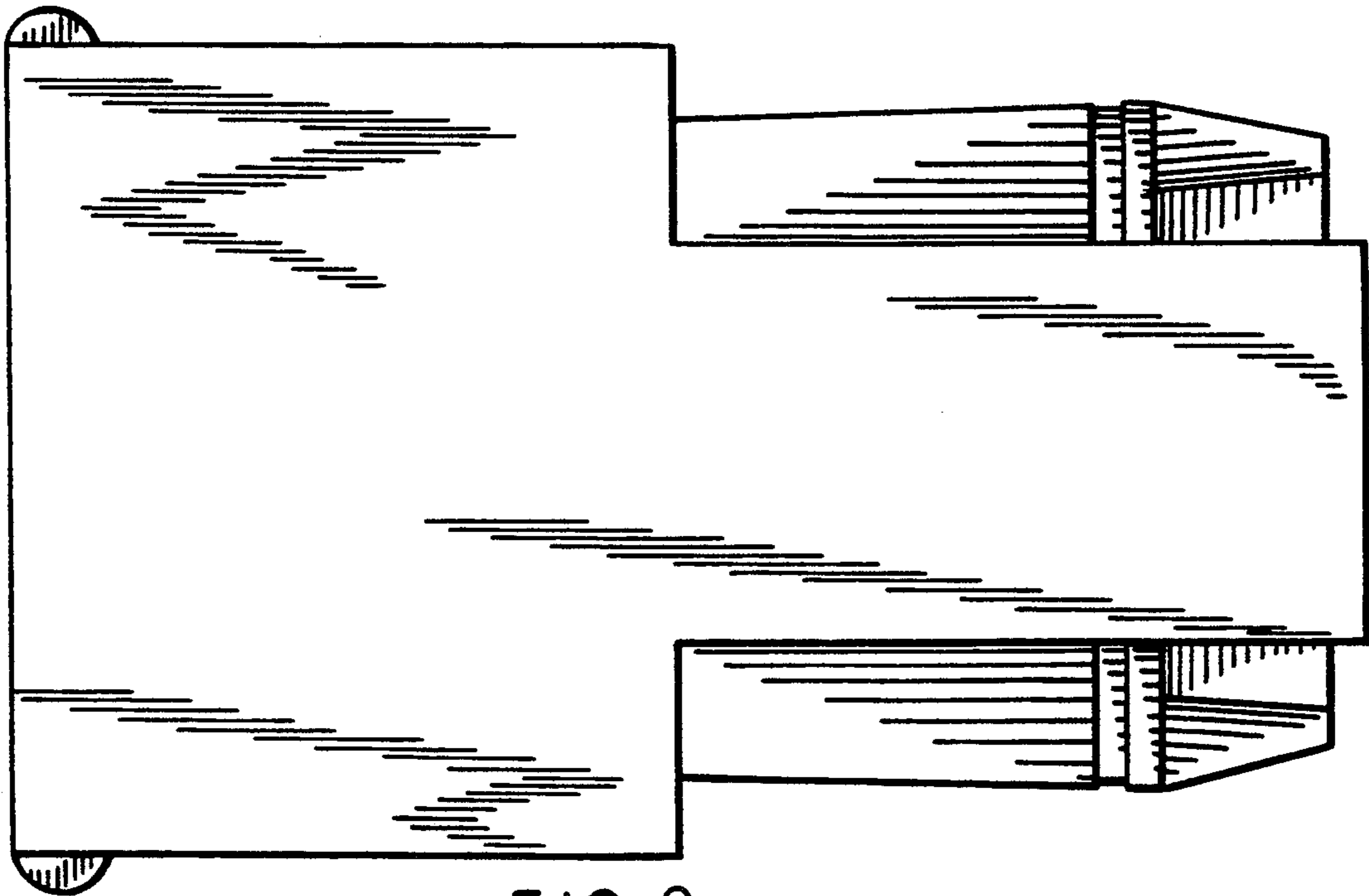


FIG. 8



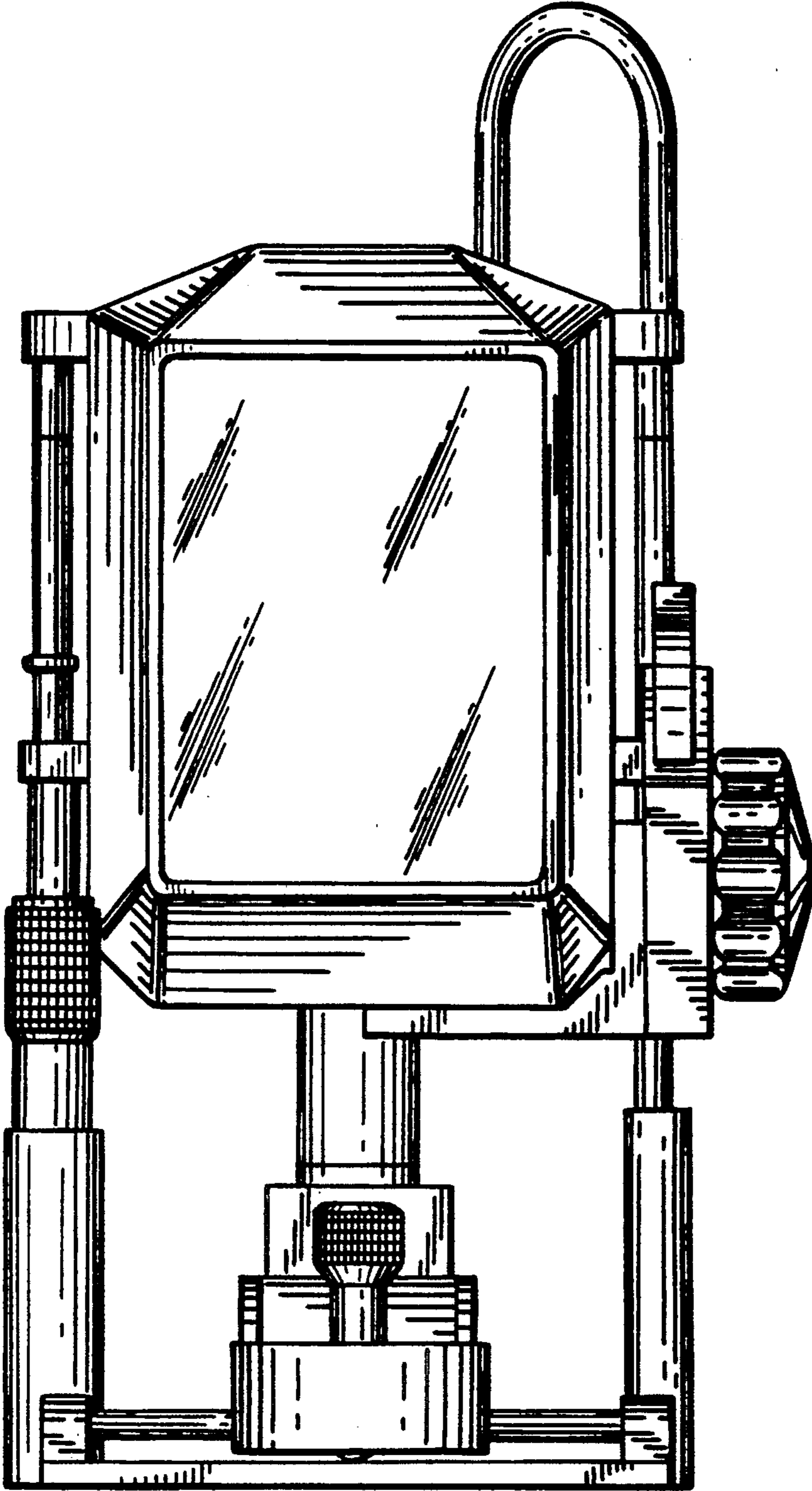


FIG. 9

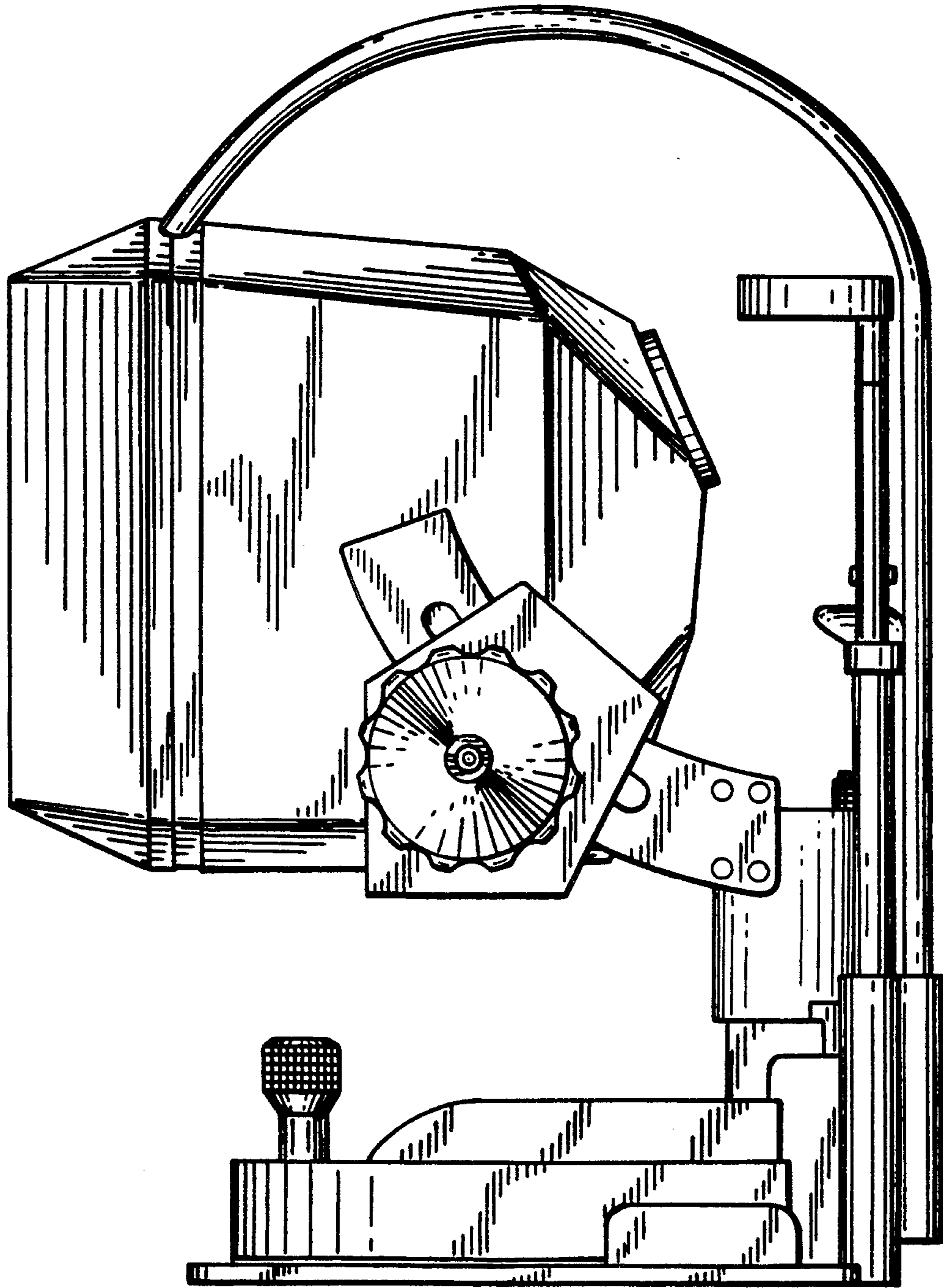


FIG. 10

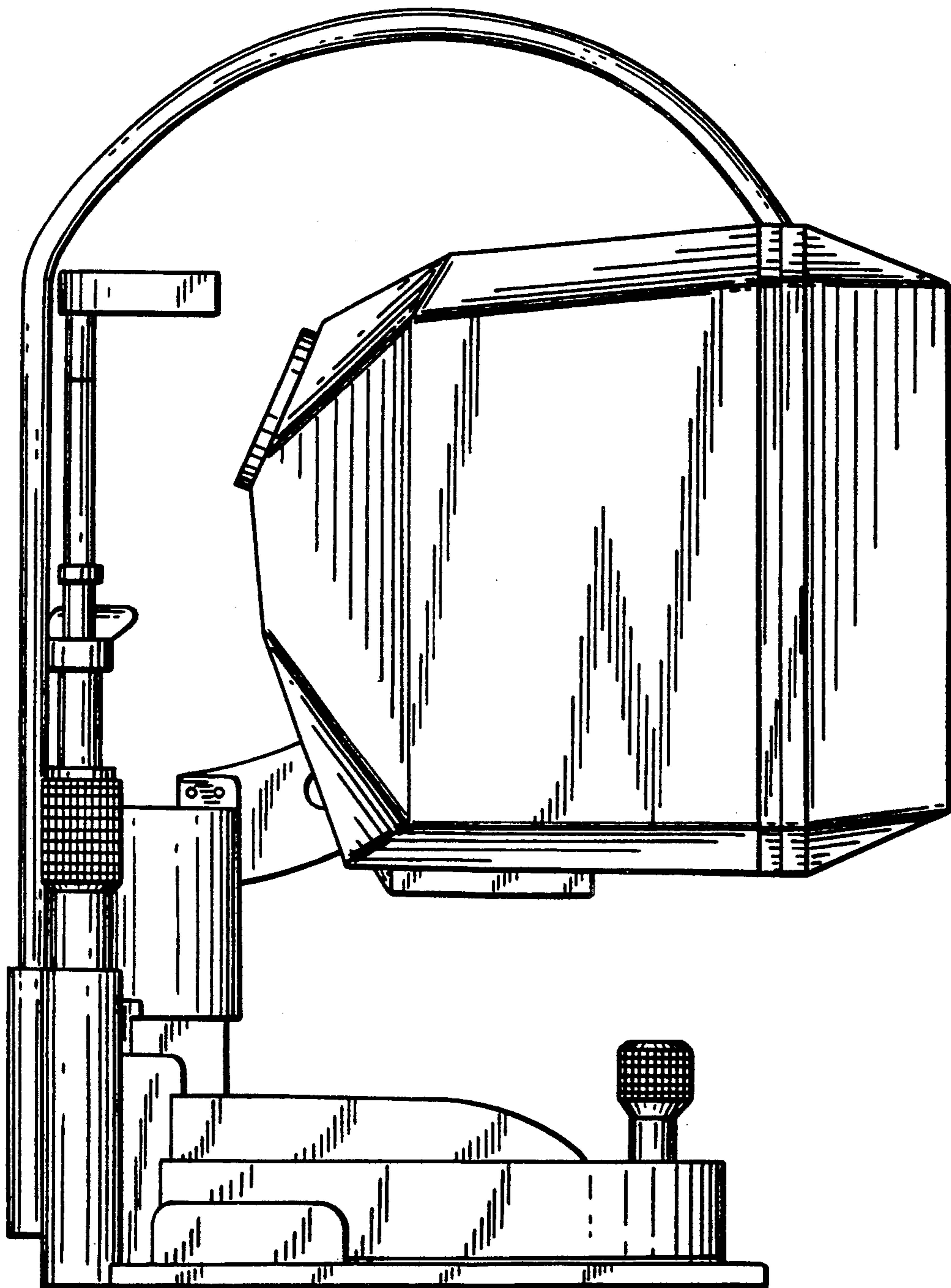


FIG. II

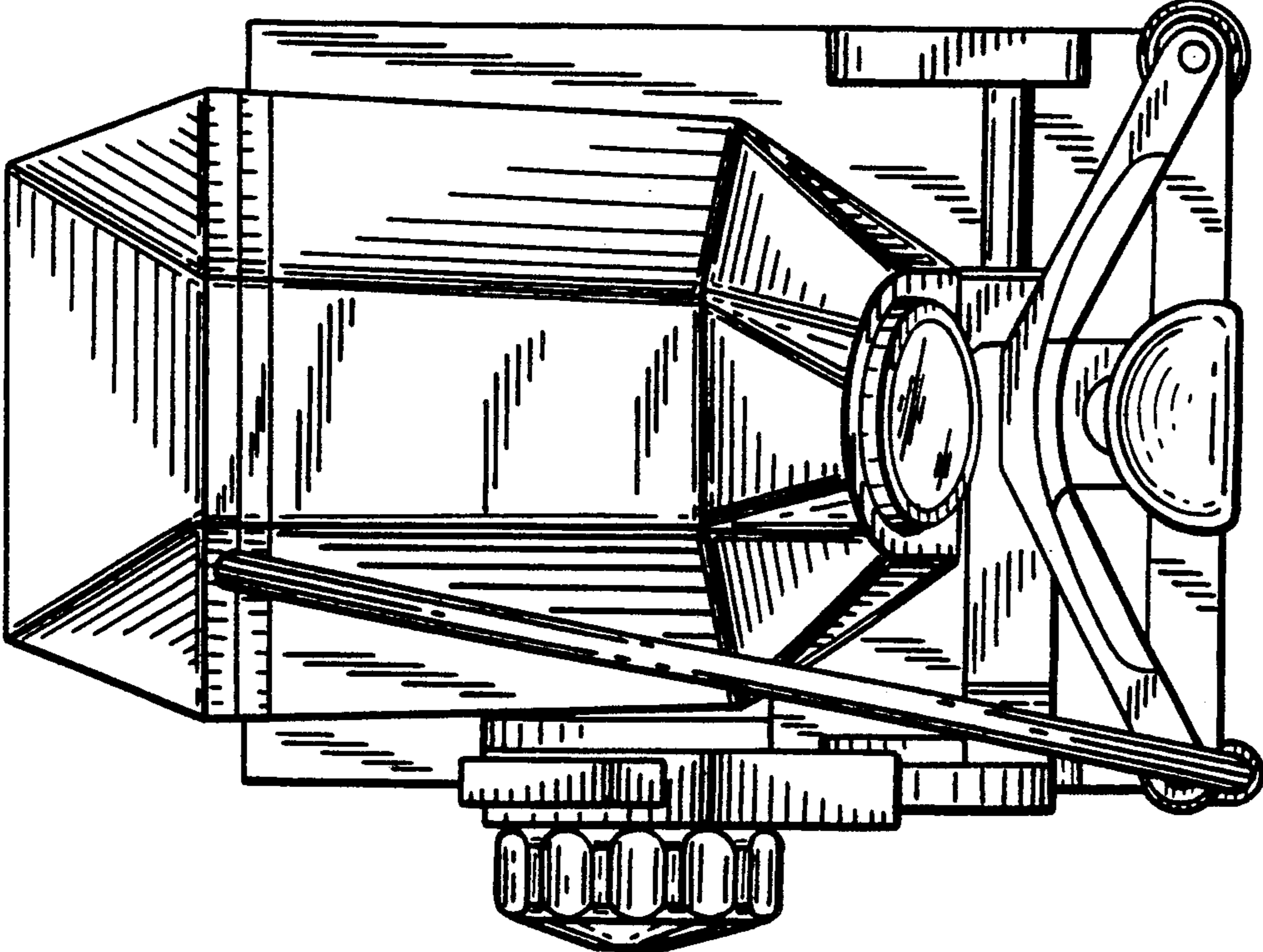


FIG. 12

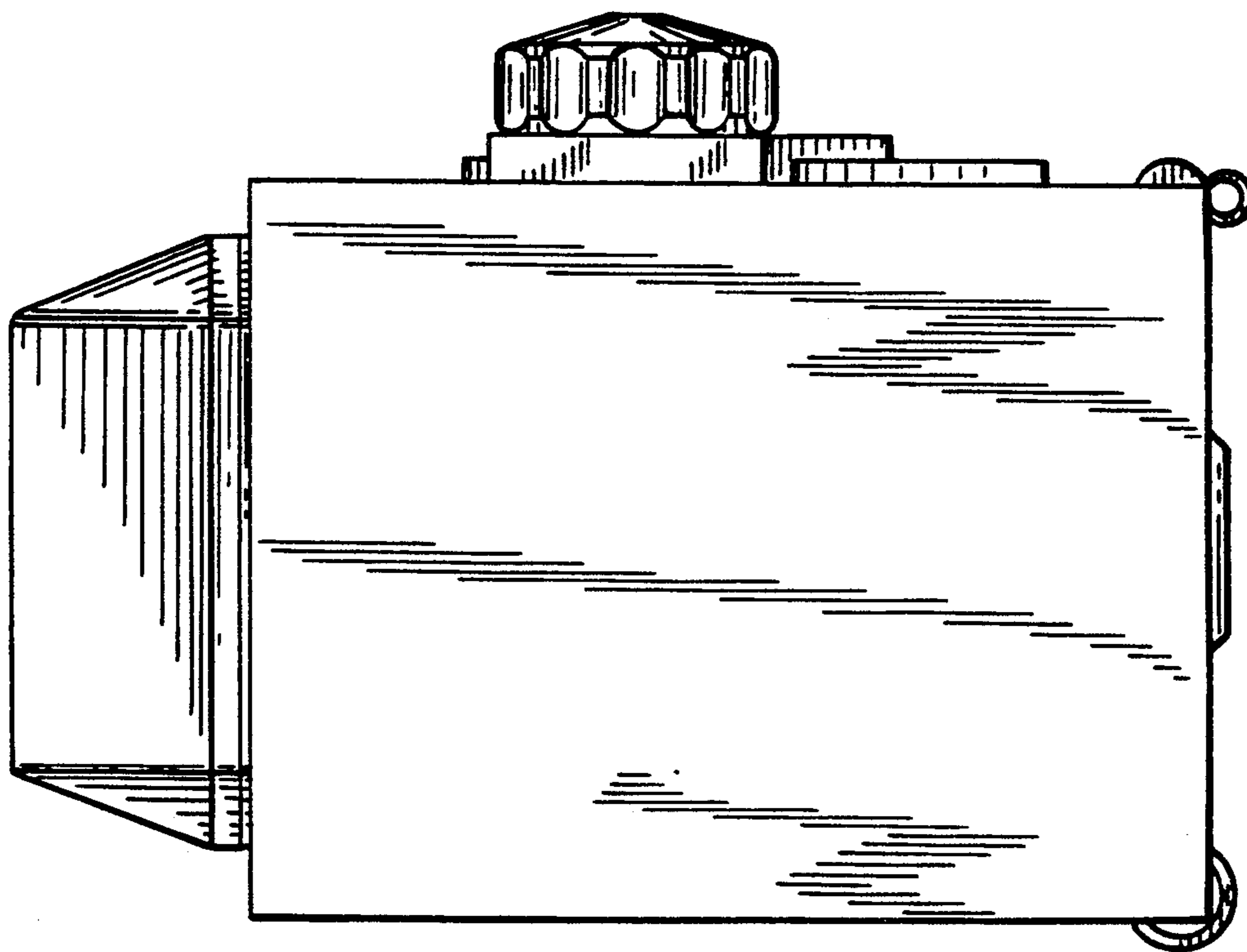


FIG. 13

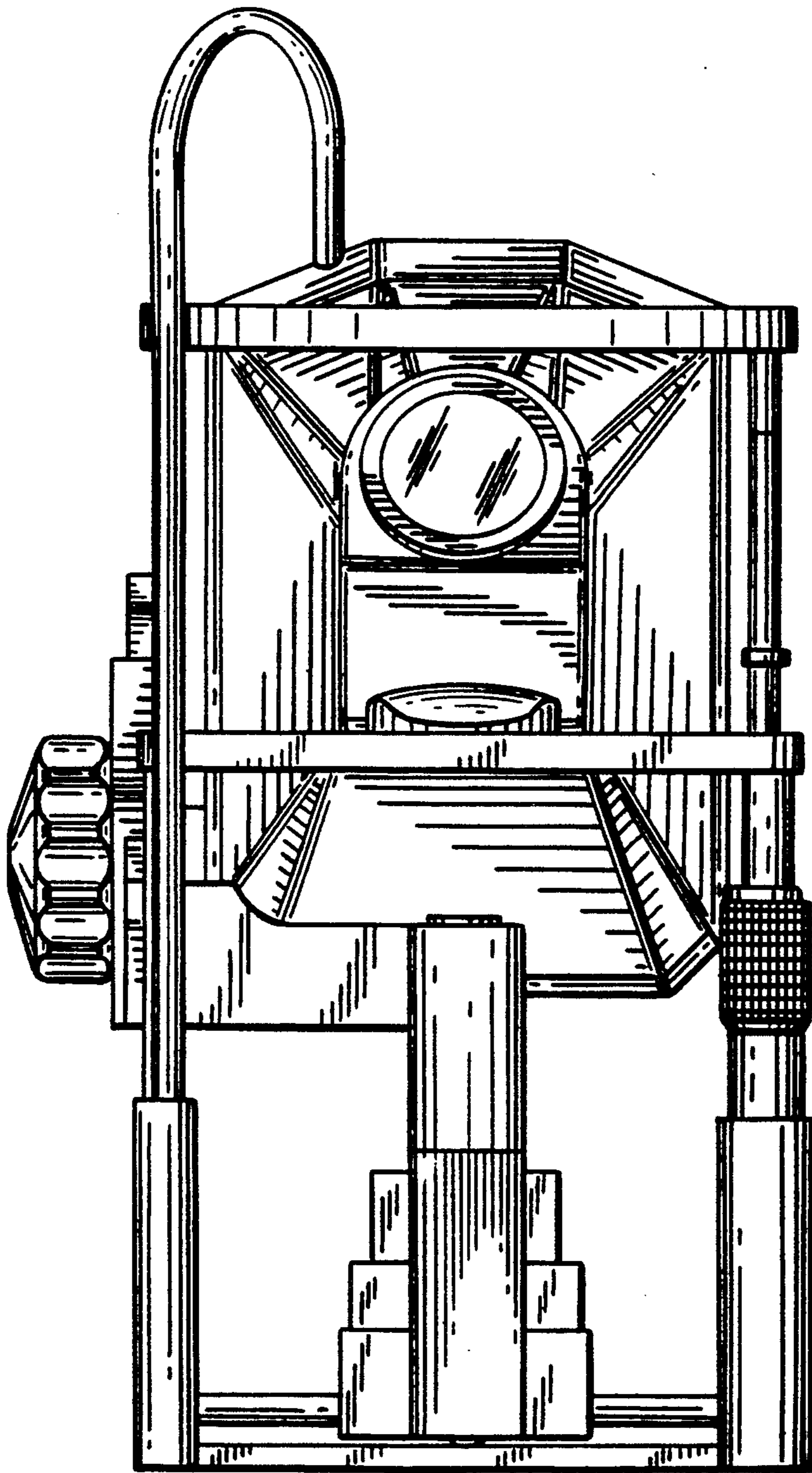


FIG. 14