



US00D330764S

# United States Patent [19]

[11] Patent Number: **Des. 330,764**

Lorentzon

[45] Date of Patent: **\*\* Nov. 3, 1992**

## [54] RECTAL APPLICATOR FOR PHARMACEUTICAL PRODUCTS

*Primary Examiner*—Stella Reid  
*Attorney, Agent, or Firm*—Shapiro and Shapiro

[76] Inventor: **Lena Lorentzon, 7, Fredmansgatan, S-116 26 Stockholm, Sweden**

## [57] CLAIM

[\*\*] Term: **14 Years**

The ornamental design for a rectal applicator for pharmaceutical products, as shown and described.

[21] Appl. No.: **501,178**

## DESCRIPTION

[22] Filed: **Mar. 29, 1990**

## [30] Foreign Application Priority Data

Sep. 29, 1989 [SE] Sweden ..... 892210

Sep. 29, 1989 [SE] Sweden ..... 892211

[52] U.S. Cl. .... **D24/141**

[58] Field of Search ..... D24/141; 604/187, 105, 604/278, 41

FIG. 1 is a front elevational view of a rectal applicator for pharmaceutical products showing my new design, the view from the rear being the same;

FIG. 2 is a side elevational view thereof, the view from the opposite side being the same;

FIG. 3 is a top plan view thereof, the bottom being plain and unornamented;

FIG. 4 is a perspective view thereof;

FIG. 5 is a front elevational view of a second embodiment of my new design, the view from the rear being the same;

FIG. 6 is a side elevational view thereof, the view from the opposite side being the same;

FIG. 7 is a top plan view thereof, the bottom being plain and unornamented; and,

FIG. 8 is a perspective view thereof.

## [56] References Cited

### U.S. PATENT DOCUMENTS

D. 289,691 5/1987 Rex ..... D24/141

3,032,036 5/1962 Rader et al. .... D24/141 X

3,842,834 10/1974 Vass ..... 604/278

3,906,948 9/1975 Vass ..... 604/278

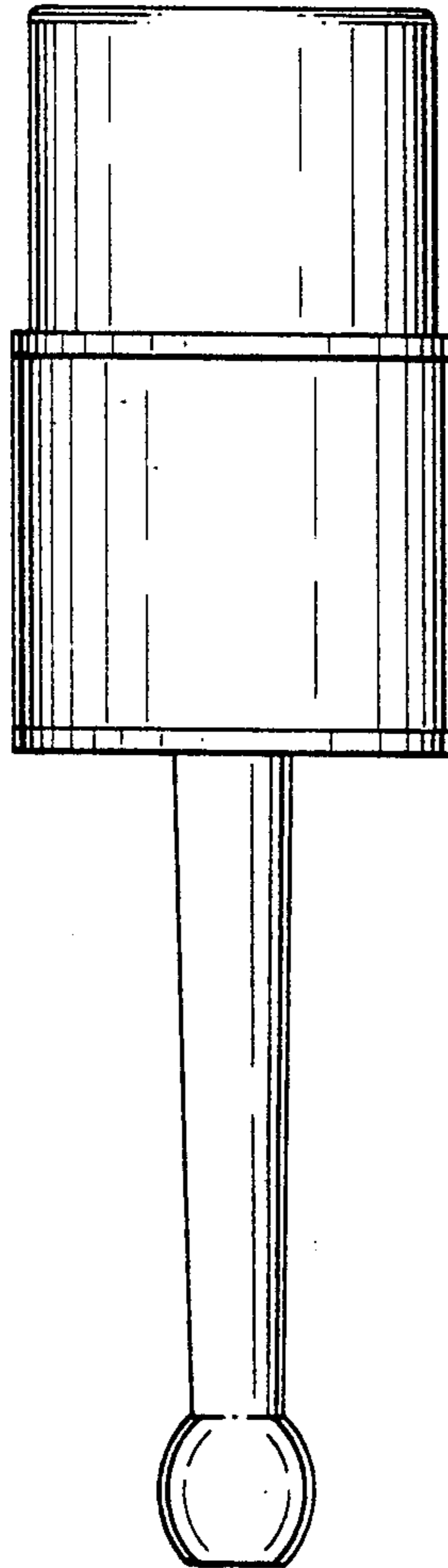


FIG. 1

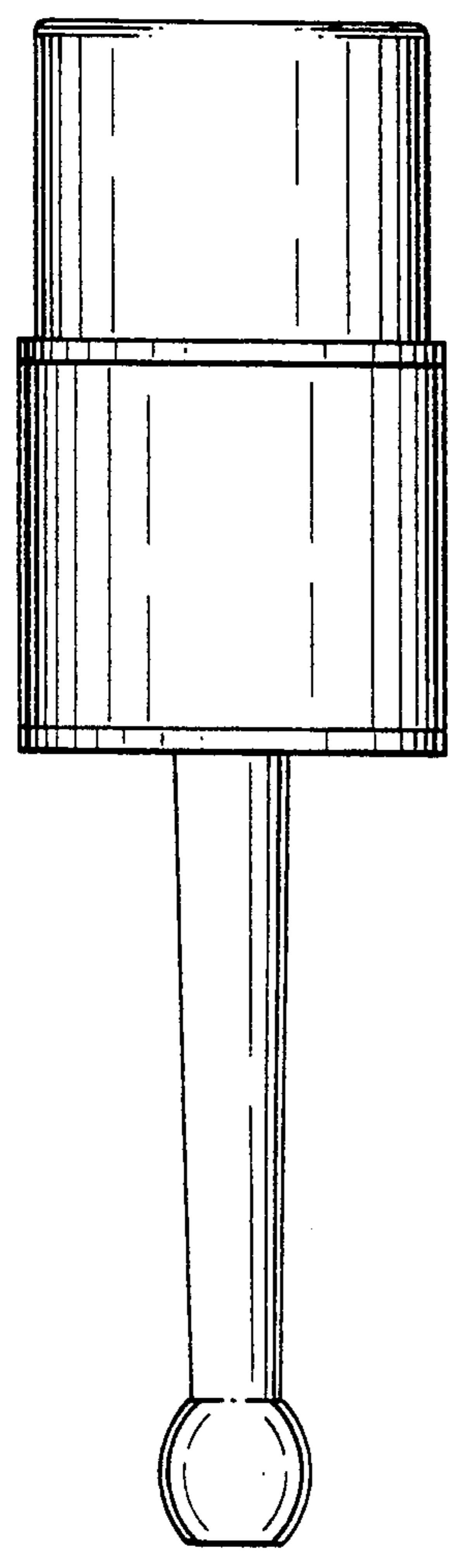


FIG. 2

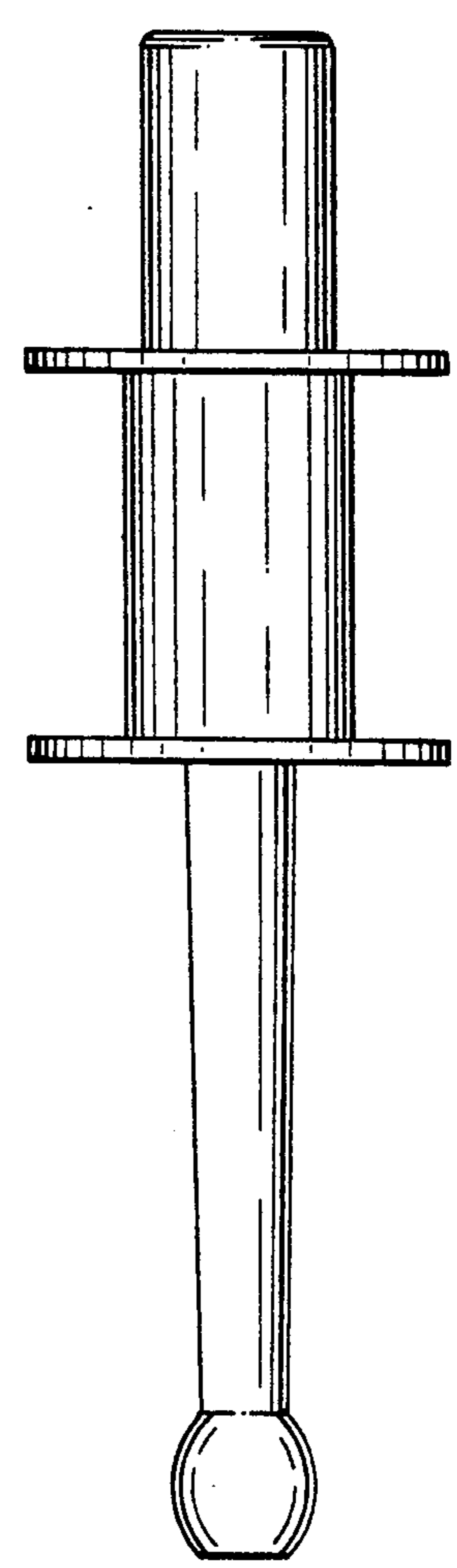


FIG. 3

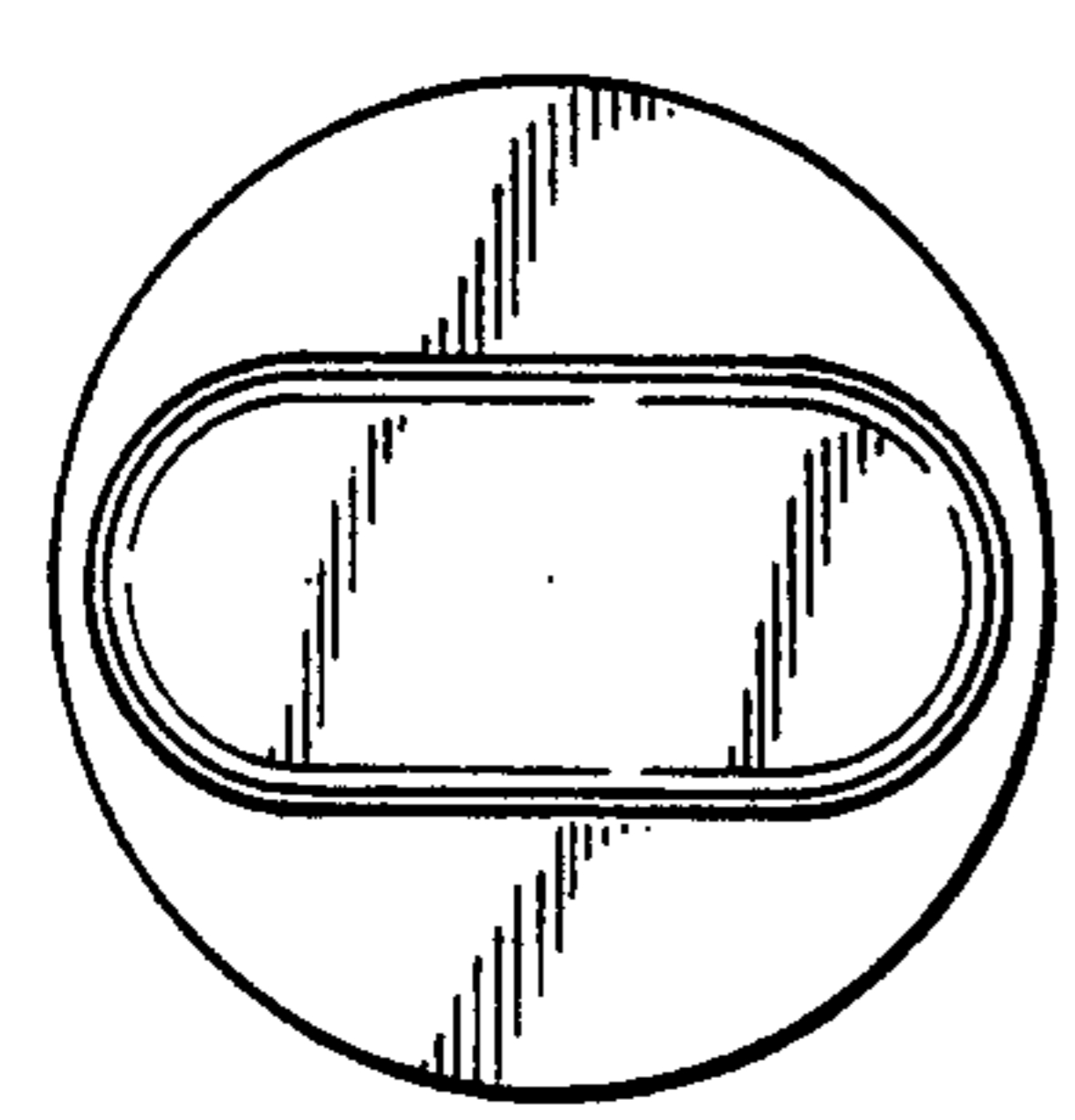


FIG. 4

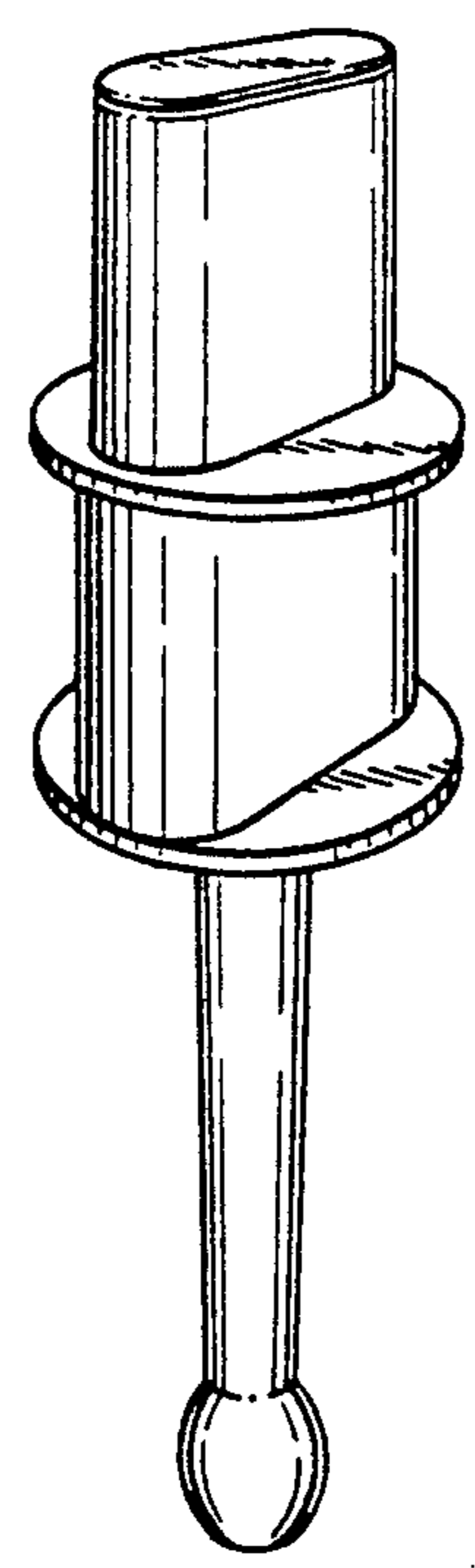


FIG. 5

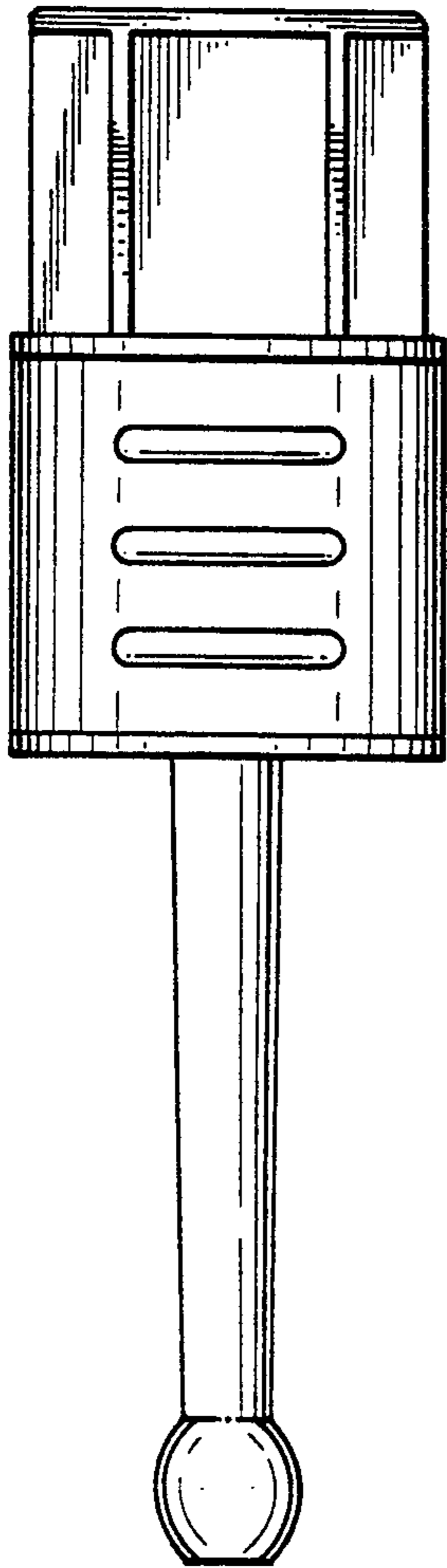


FIG. 6

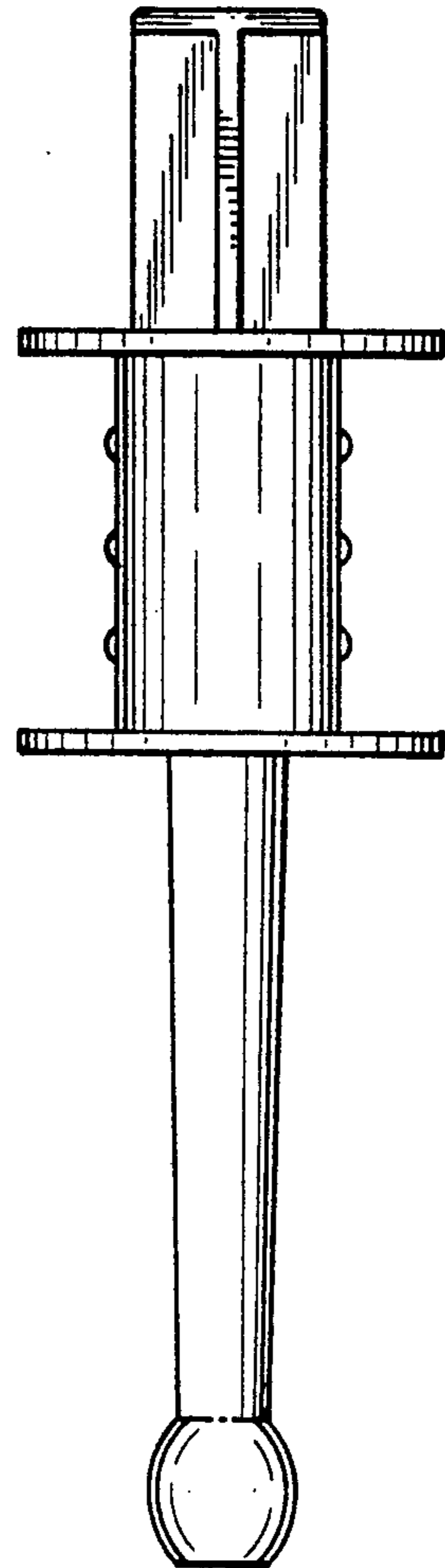


FIG. 7

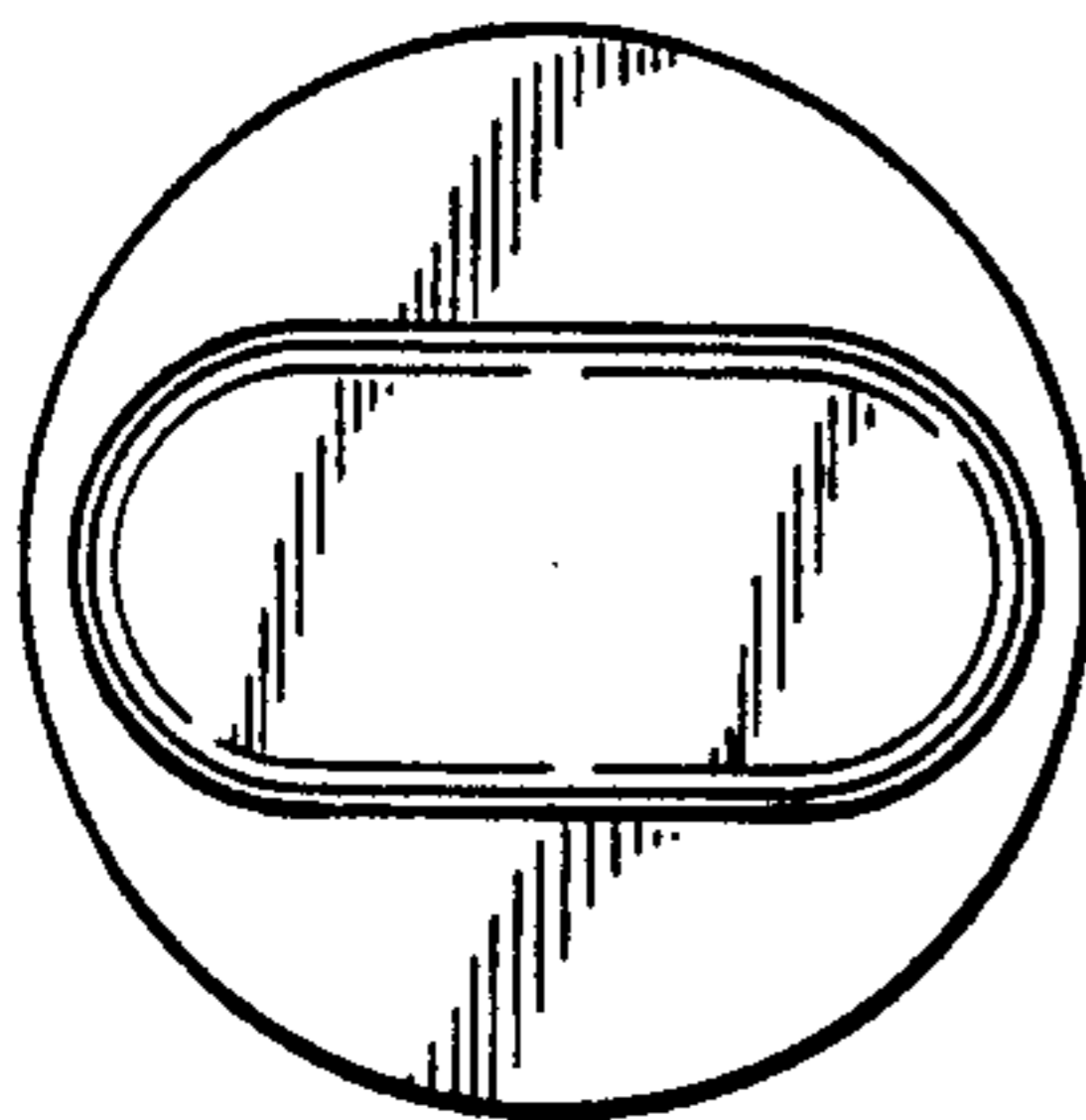


FIG. 8

