



US00D330762S

United States Patent [19]

[11] Patent Number: **Des. 330,762**

Anderson et al.

[45] Date of Patent: **** Nov. 3, 1992**

[54] **DISPOSABLE ARTIFICIAL VAGINA FOR COLLECTING OF SEMINAL FLUID FROM ANIMALS**

4,690,678 9/1987 Douglas et al. 604/349
4,744,352 5/1988 Emery 604/349

[76] Inventors: **Mark Anderson**, R.R. 2, Elmwood, Wis. 54740; **James Griffin**, 10015 Green St., Hebron, Ill. 60034

Primary Examiner—Stella Reid
Assistant Examiner—I. Simmons
Attorney, Agent, or Firm—Edward H. Loveman

[**] Term: **14 Years**

[57] **CLAIM**

[21] Appl. No.: **614,757**

The ornamental design of a disposable artificial vagina for collecting seminal fluid from animals, as shown and described.

[22] Filed: **Nov. 16, 1990**

DESCRIPTION

[52] U.S. Cl. **D24/108; D24/231**

[58] Field of Search **D24/108; 119/174; 128/918, 844, 842; 604/171, 192, 346, 347, 349**

FIG. 1 a perspective view of a disposable artificial vagina for collecting seminal fluid from animals showing our new design;

FIG. 2 is a top plan view thereof;

FIG. 3 is a left side elevational view thereof;

FIG. 4 is a front elevational view thereof, the rear elevational view being plain and unornamented;

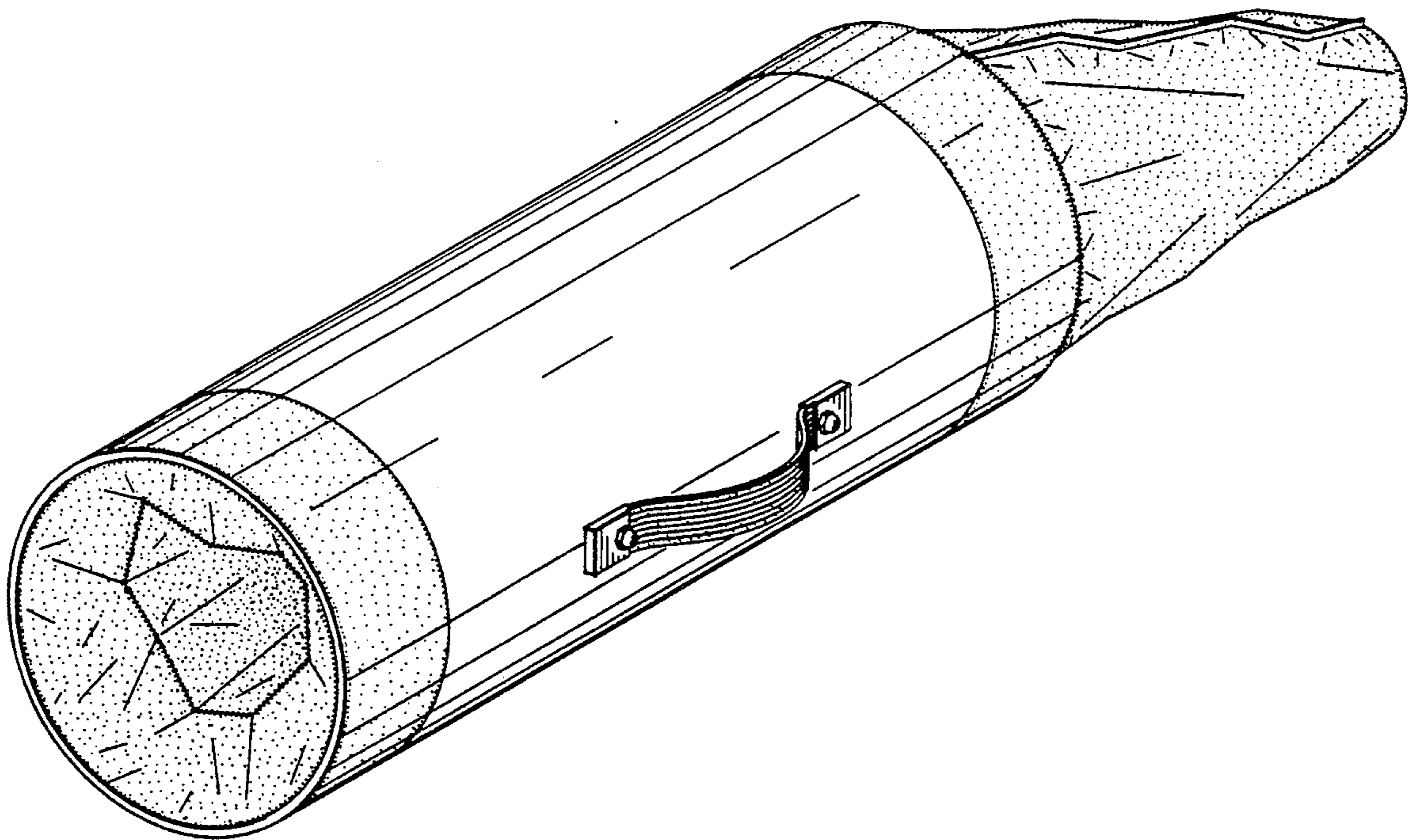
FIG. 5 is a bottom plan view thereof; and,

FIG. 6 is a right side elevational view thereof.

[56] **References Cited**

U.S. PATENT DOCUMENTS

2,686,519 8/1954 Westerman 604/347
3,401,696 9/1968 O'Brien 604/347
4,312,350 1/1982 Doan 604/349



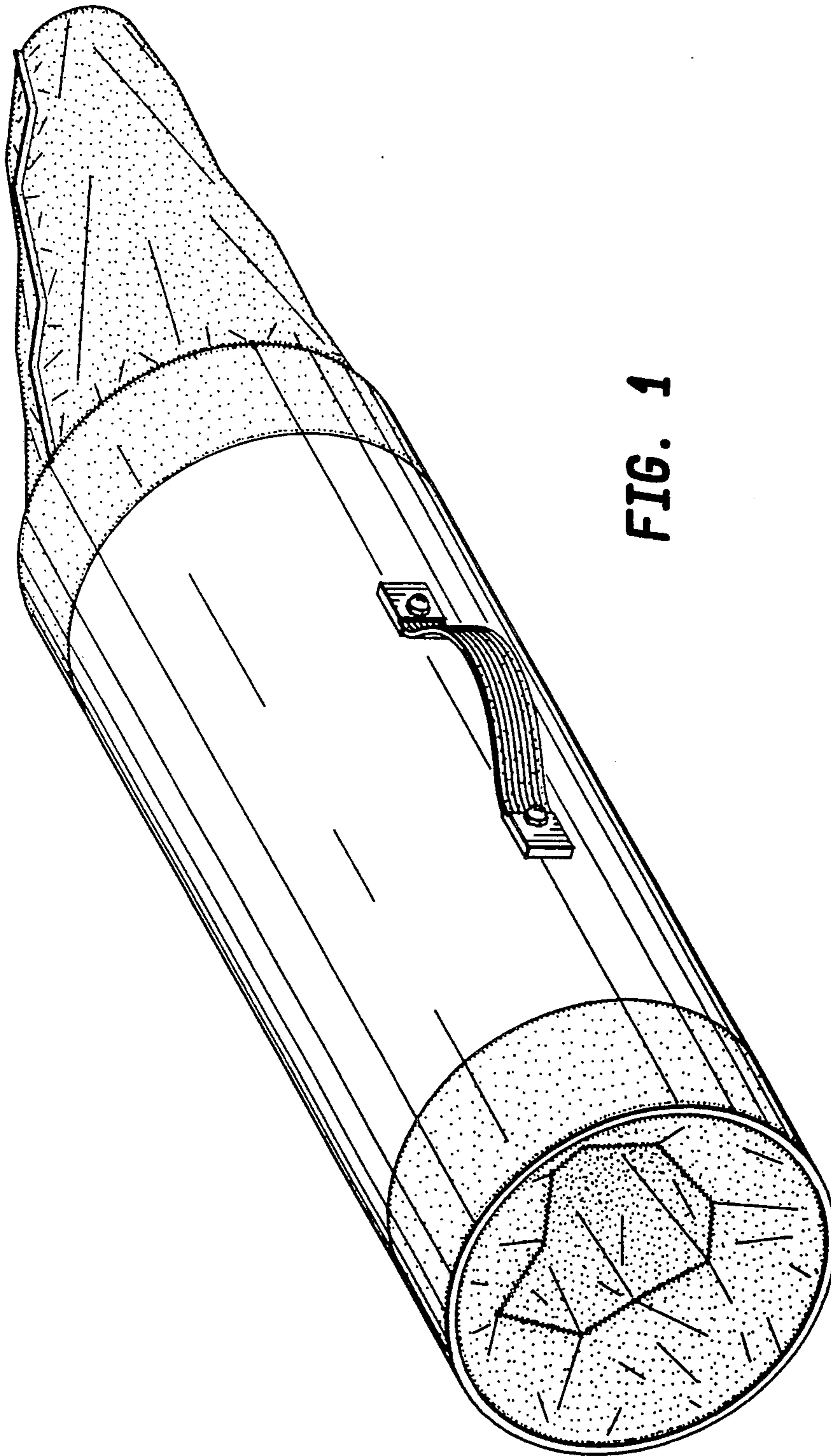


FIG. 1

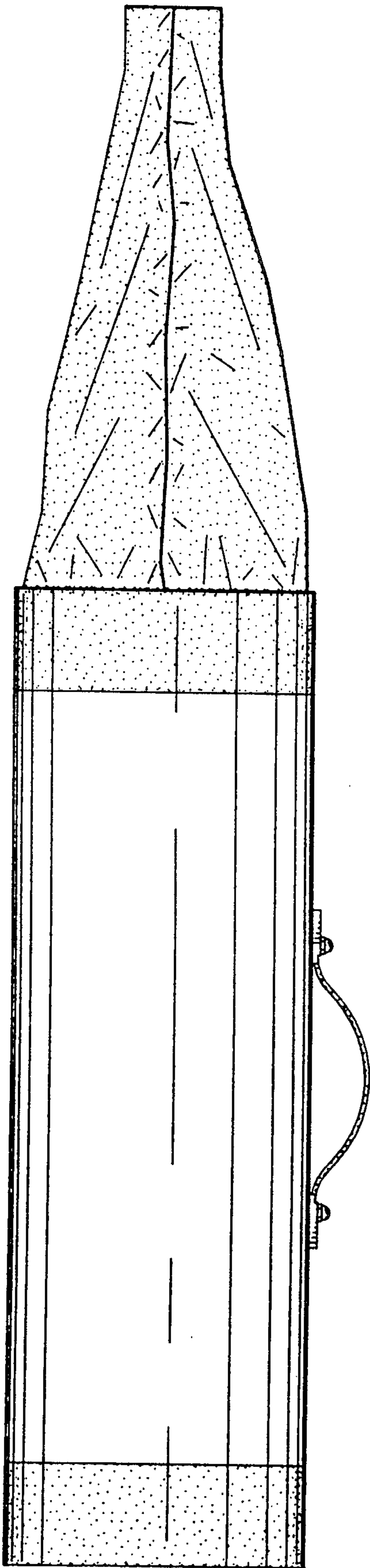


FIG. 2

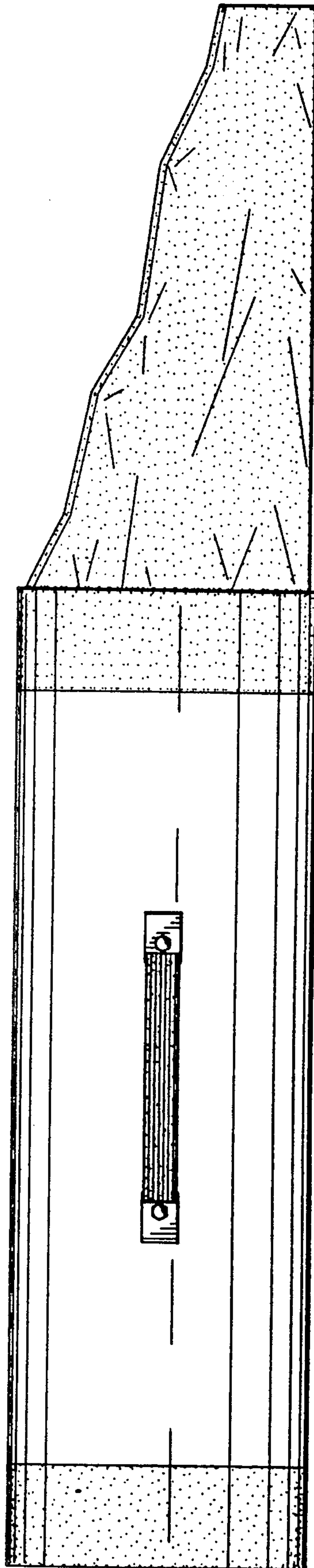


FIG. 4

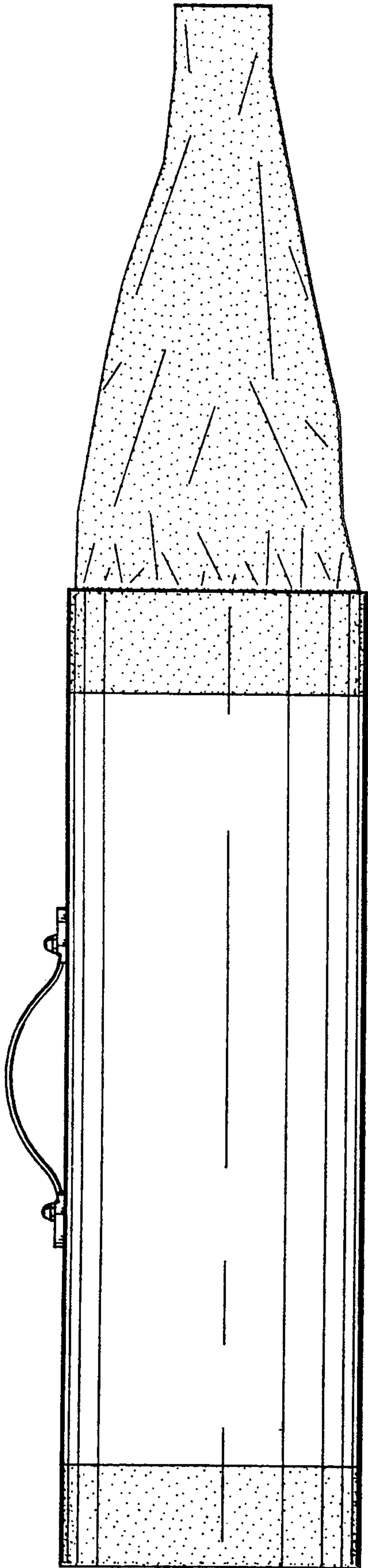


FIG. 5

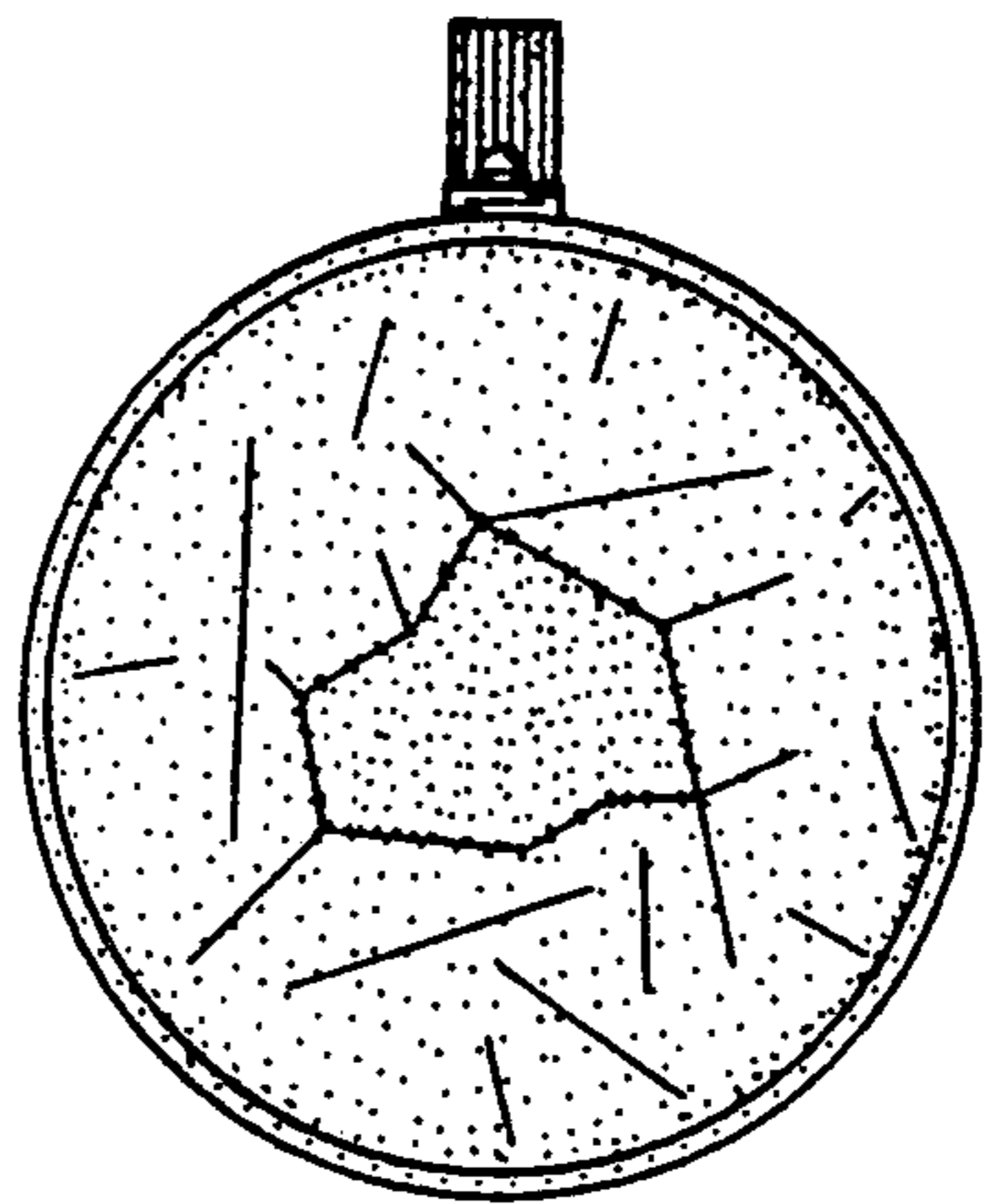


FIG. 3

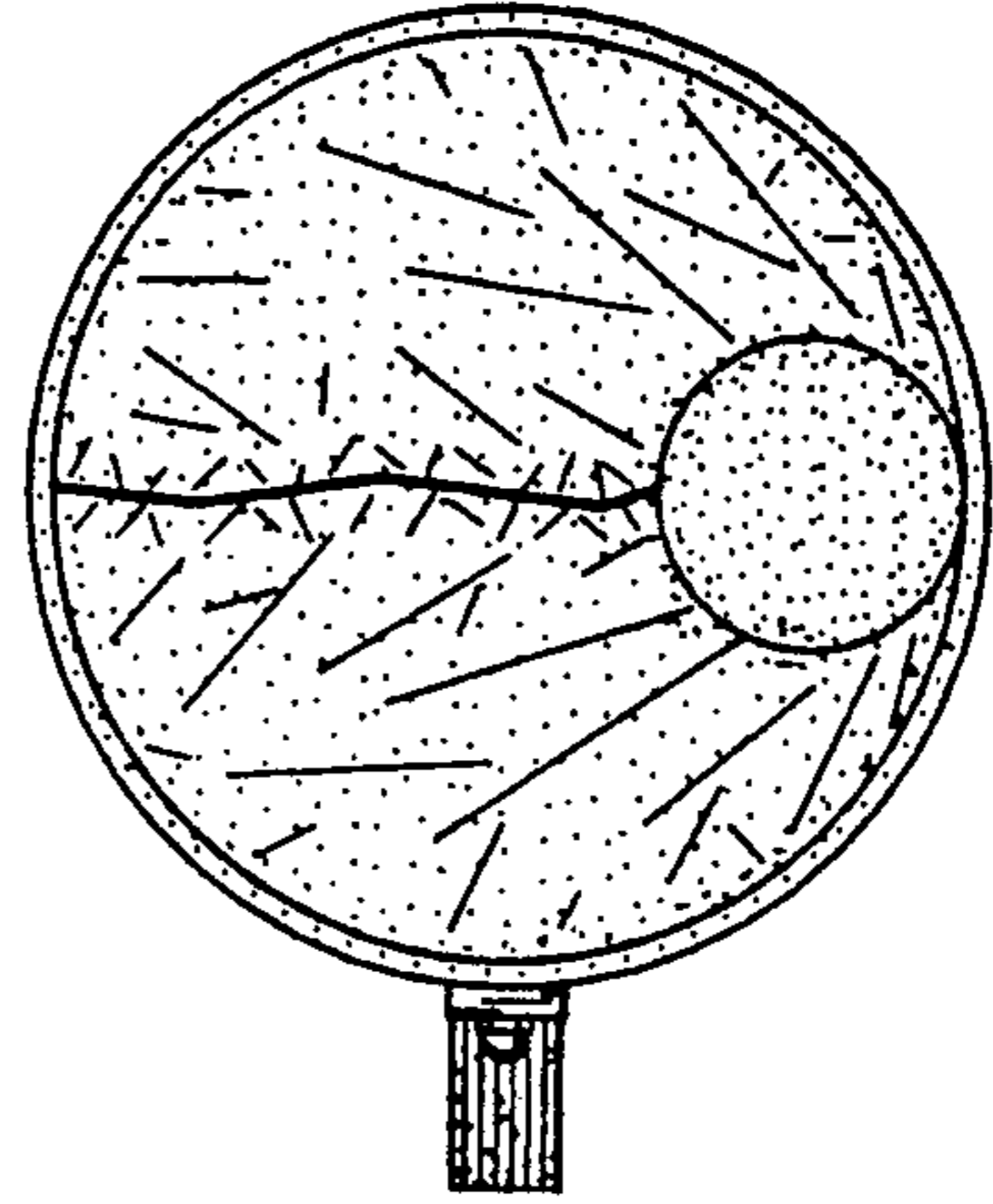


FIG. 6