



US00D330761S

# United States Patent [19]

[11] Patent Number: **Des. 330,761**

Falco

[45] Date of Patent: **\*\* Nov. 3, 1992**

[54] EARPLUG

[56] References Cited

### U.S. PATENT DOCUMENTS

[75] Inventor: **Robert N. Falco, Indianapolis, Ind.**

D. 298,356	11/1988	Falco	.....	D24/106
2,246,737	6/1941	Knudsen	.....	D24/194
2,487,038	11/1949	Baum	.....	D24/106 X
4,314,553	2/1982	Westerdal	.....	D24/106 X
4,867,149	9/1989	Falco	.....	128/864

[73] Assignee: **Cabot Safety Corporation, Southbridge, Mass.**

*Primary Examiner*—Louis S. Zarfes  
*Attorney, Agent, or Firm*—Michelle B. Lando

[\*\*] Term: **14 Years**

[57] CLAIM

The ornamental design of an earplug, as shown.

[21] Appl. No.: **587,364**

### DESCRIPTION

[22] Filed: **Sep. 21, 1990**

FIG. 1 is a side view of an earplug showing my new design:

[52] U.S. Cl. .... **D24/106**

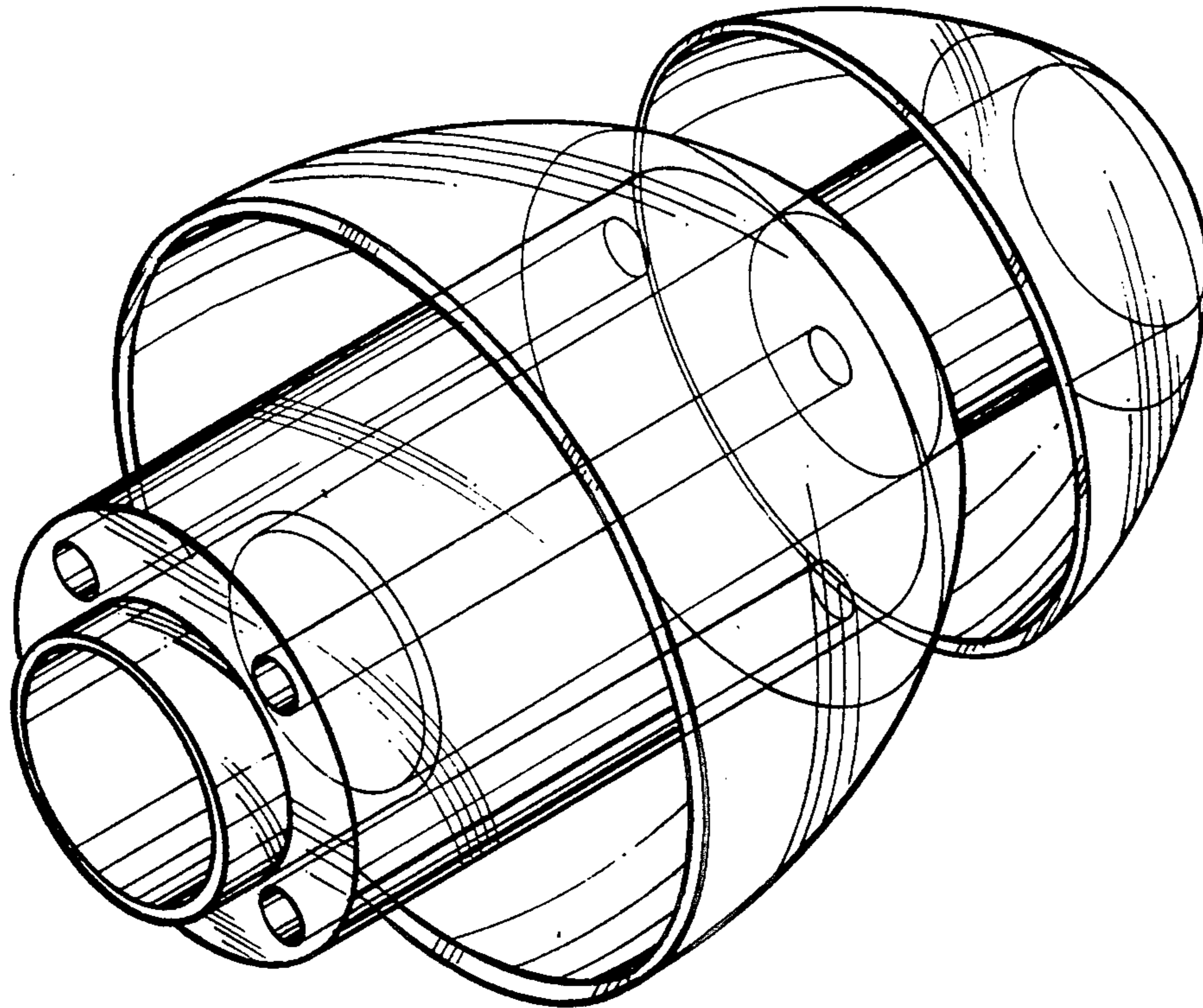
FIG. 2 is a top plan view thereof;

[58] Field of Search .... **D24/106, 194;**

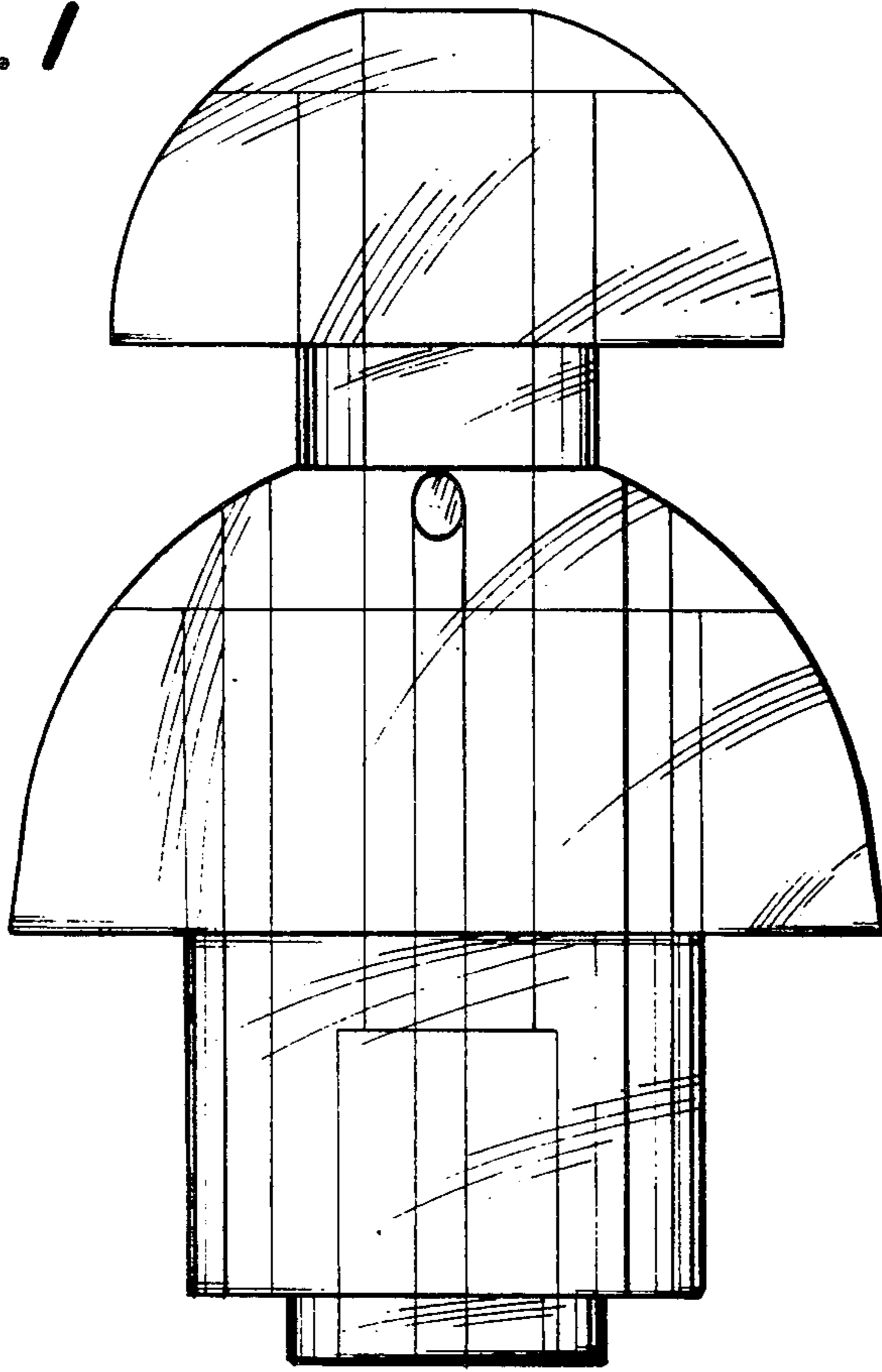
FIG. 3 is a bottom plan view thereof; and,

**128/864-868**

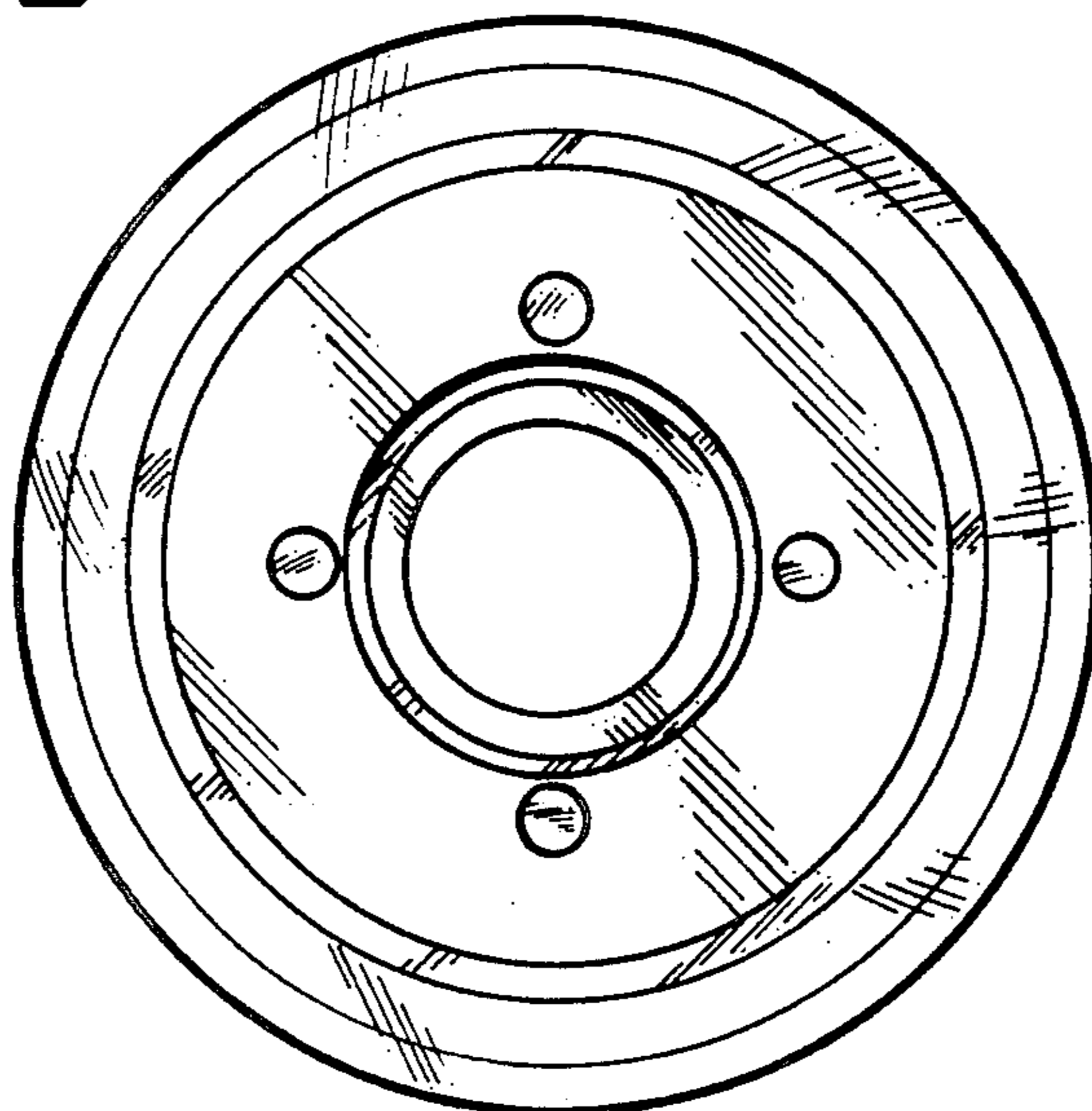
FIG. 4 is a perspective view thereof.



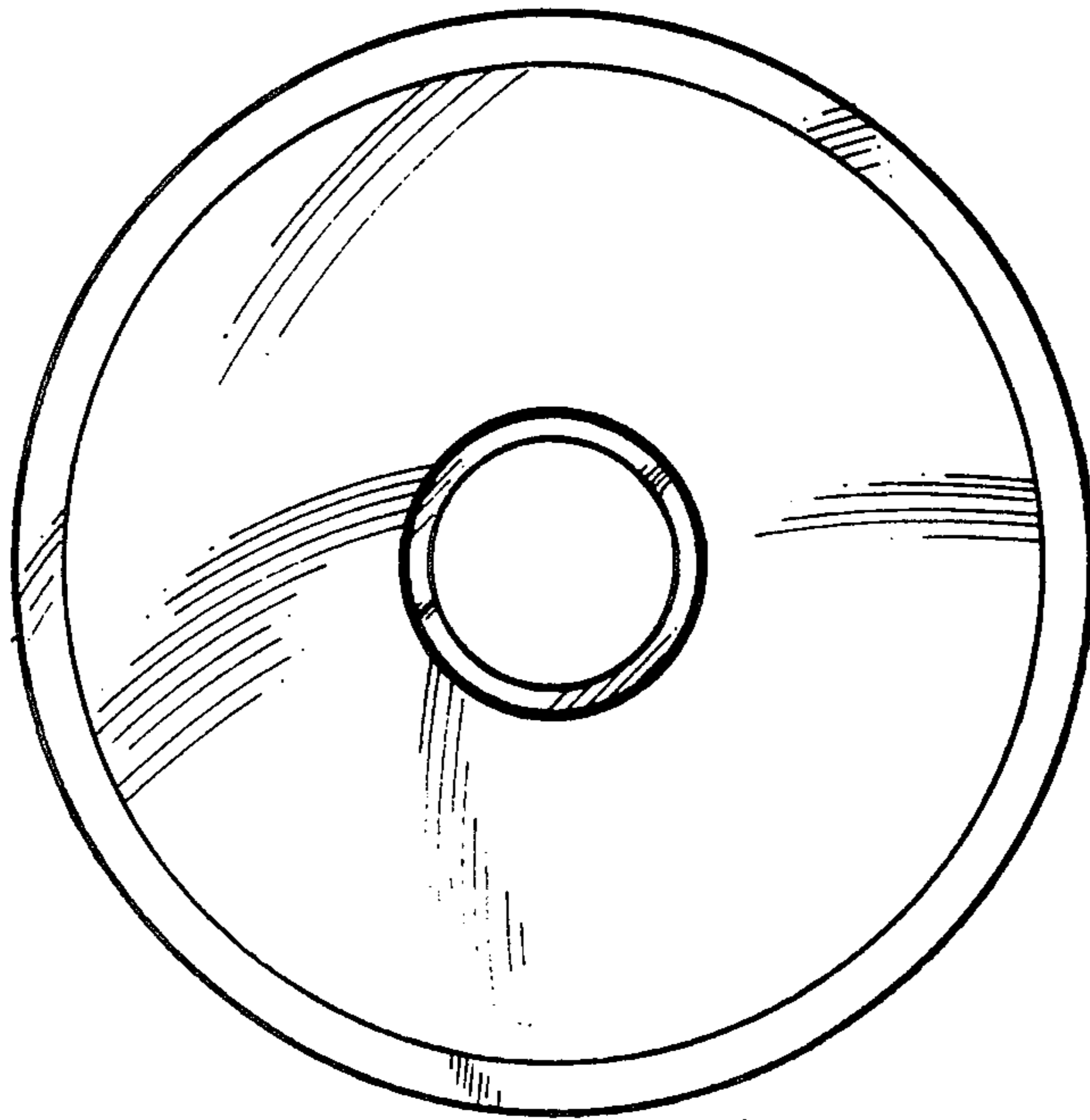
**FIG. 1**



**FIG. 2**



**FIG. 3**



**FIG. 4**

