



US00D330757S

United States Patent [19]

[11] Patent Number: **Des. 330,757**

DeLaney et al.

[45] Date of Patent: **** Nov. 3, 1992**

[54] **PORTABLE BENCH-TOP CLEANROOM FOR USE AS A WORK STATION**

[75] Inventors: **Richard P. DeLaney; Mark Cunnane,**
both of Dublin, Ireland

[73] Assignee: **Safetech Limited, Ireland**

[**] Term: **14 Years**

[21] Appl. No.: **388,553**

[22] Filed: **Aug. 2, 1989**

[30] Foreign Application Priority Data

Feb. 3, 1989 [IE] Ireland 33/89

[52] U.S. Cl. **D23/364; D23/365**

[58] Field of Search **D23/355-365;**
55/385.2, 472; 422/292; 98/115.3

[56] References Cited

U.S. PATENT DOCUMENTS

999,880	8/1911	Schaeffer	422/292
2,832,986	5/1958	Seck	55/472
4,108,509	8/1978	Piet et al.	98/115.3
4,804,392	2/1989	Spengler	98/115.3

Primary Examiner—Wallace R. Burke
Assistant Examiner—Lisa Lichtenstein
Attorney, Agent, or Firm—Sughrue, Mion, Zinn,
Macpeak & Seas

[57] CLAIM

The ornamental design for a portable bench-top cleanroom for use as a work station, as shown and described.

DESCRIPTION

FIG. 1 is a front perspective view of a portable bench-top cleanroom for use as a work station, showing our new design;

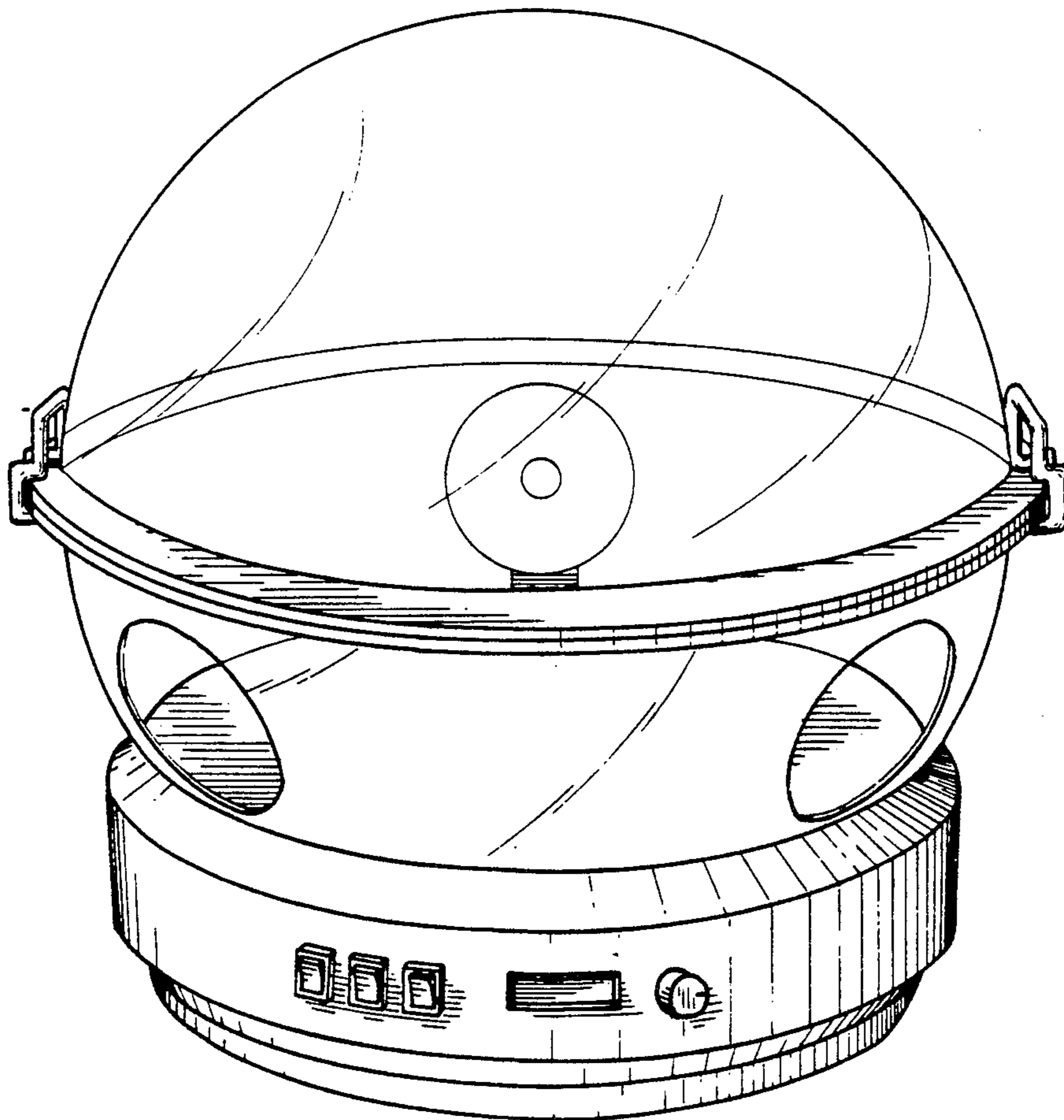
FIG. 2 is a reduced side elevation view thereof, the opposite side being a mirror image of that shown;

FIG. 3 is an exploded reduced front perspective view thereof;

FIG. 4 is a front perspective view of a second embodiment of a portable bench-top cleanroom for use as a work station, showing our new design, the sole difference from the first embodiment residing in the spherical portion being of an opaque material; and,

FIG. 5 is a rear, top and right side perspective view of FIG. 4.

The bottom of the claimed design is flat and unornamented.



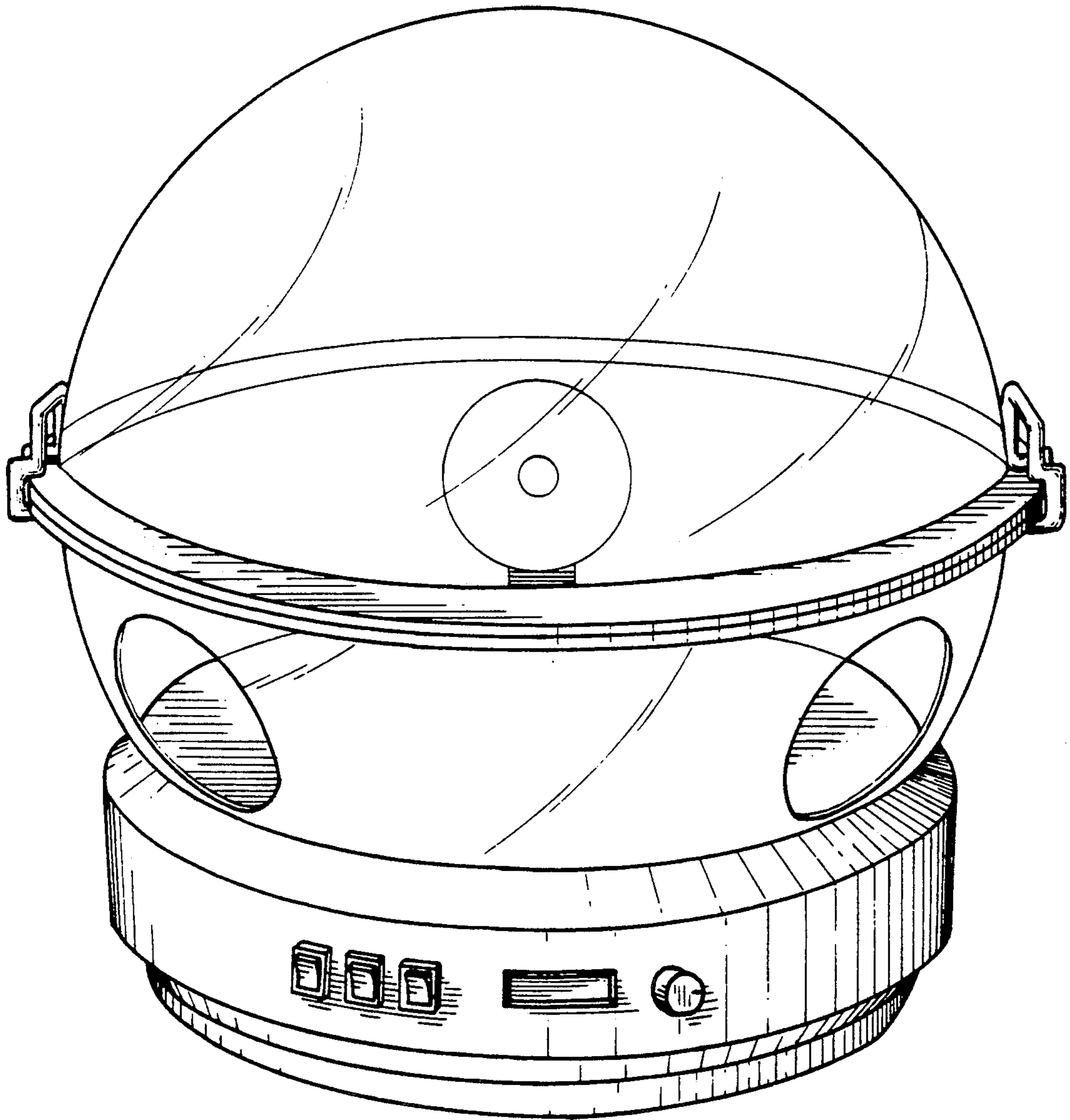


Fig 1

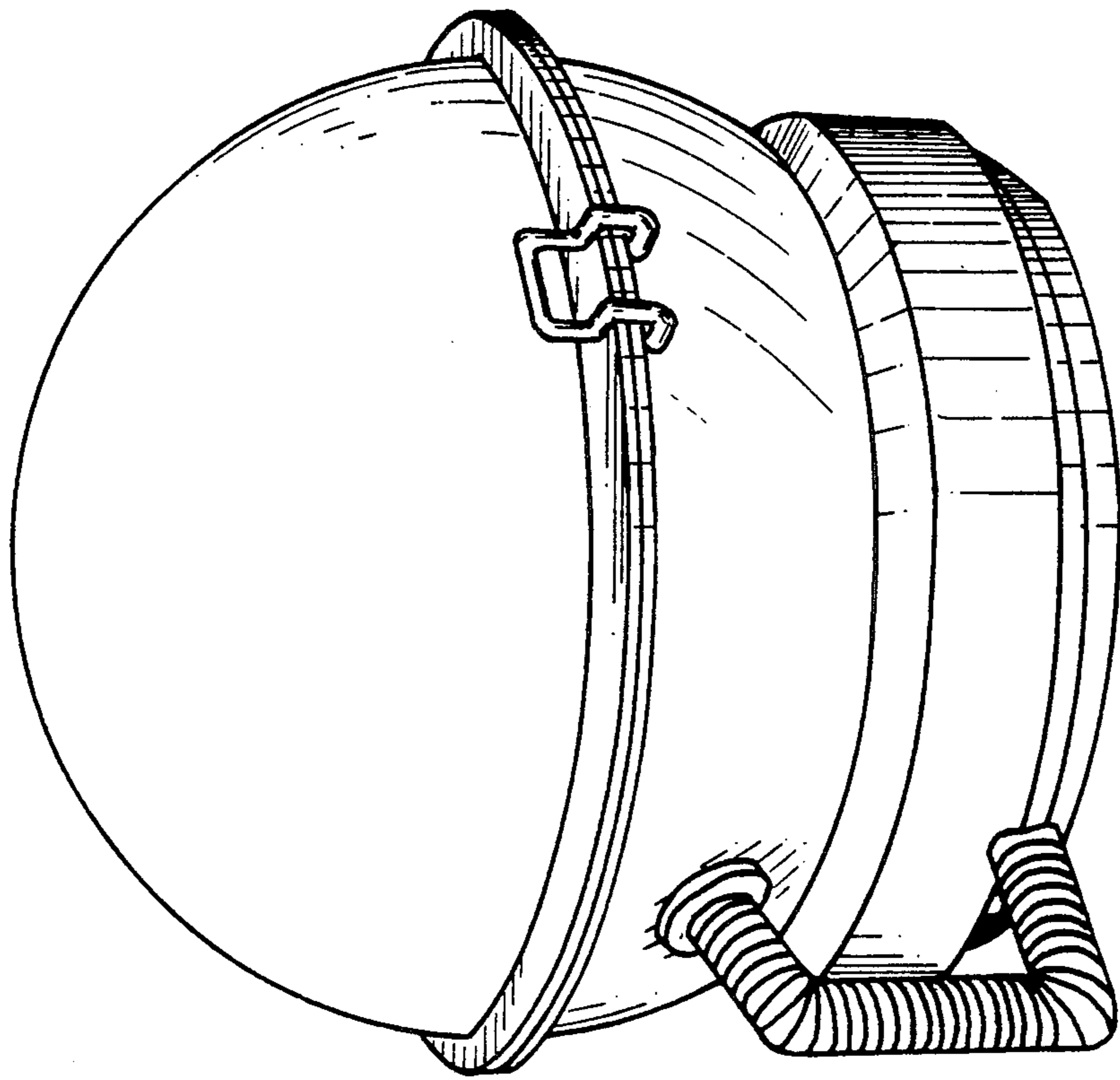


Fig 5

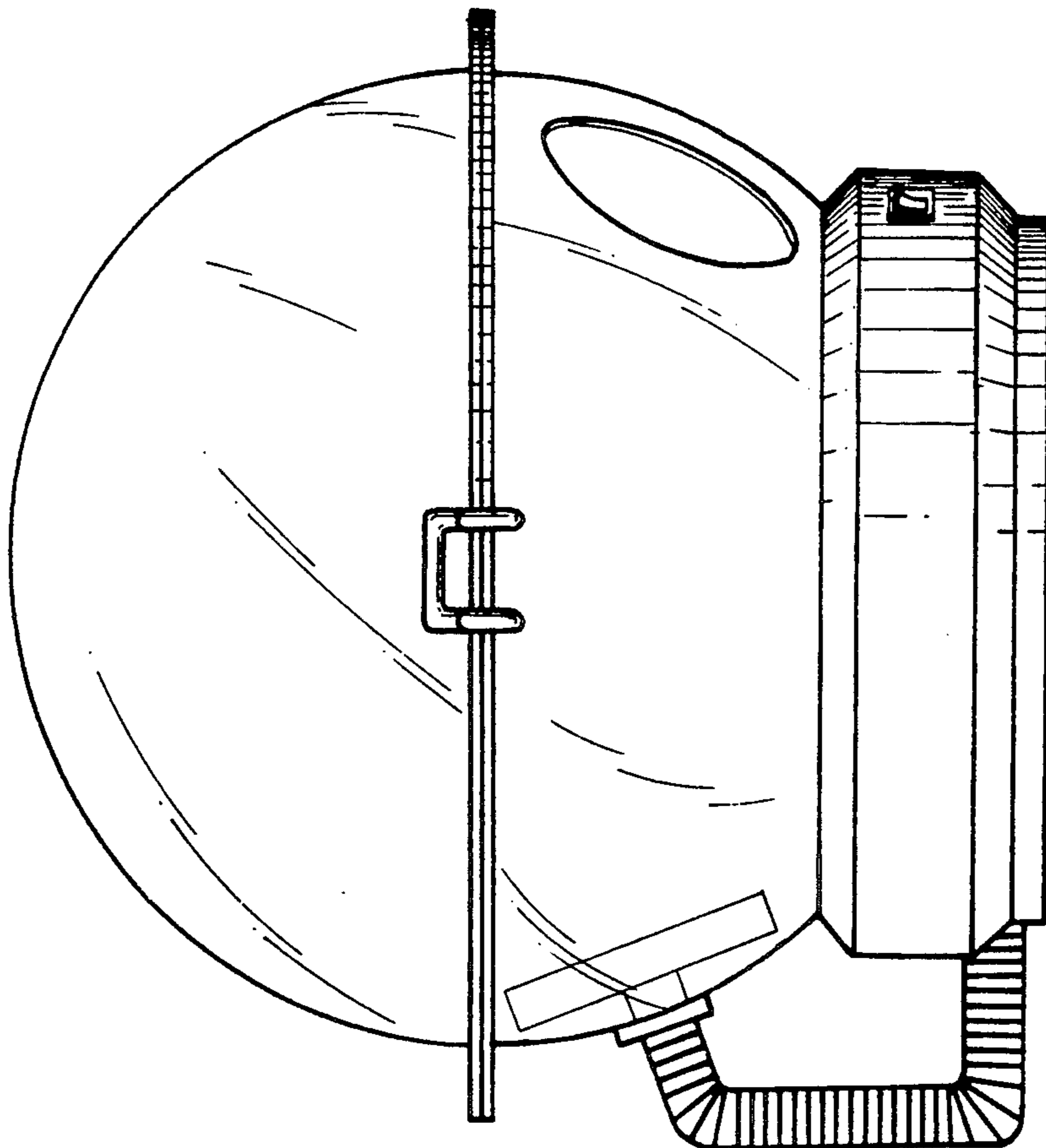


Fig 2

