



US00D330756S

United States Patent [19]

[11] Patent Number: **Des. 330,756**

Davies, III et al.

[45] Date of Patent: **** Nov. 3, 1992**

[54] **PORTABLE HEATER**

[75] Inventors: **John W. Davies, III; Clay W. Chalupsky**, both of Plymouth, Wis.

[73] Assignee: **The Toro Company**, Minneapolis, Minn.

[**] Term: **14 Years**

[21] Appl. No.: **729,671**

[22] Filed: **Jul. 15, 1991**

[52] U.S. Cl. **D23/338**

[58] Field of Search **D23/335, 338, 317, 337; 432/222, 223; 392/365-369; 126/110 B, 110 D**

[56] **References Cited**

U.S. PATENT DOCUMENTS

D. 201,165	5/1965	Briggs	D23/338
D. 247,045	1/1978	Briggs	D23/317
D. 264,374	5/1982	Briggs et al.	D23/338
3,256,003	6/1966	Briggs	432/88
3,706,446	12/1972	Briggs	432/224
3,794,461	2/1984	Brazee	432/29
4,081,238	3/1978	Briggs et al.	432/223
4,089,642	5/1978	Briggs et al.	432/223
4,201,544	5/1980	Briggs et al.	432/222
4,313,417	2/1982	Briggs et al.	126/110 B
4,443,187	4/1984	Shaftner et al.	432/222

OTHER PUBLICATIONS

Grainger's Spring '86 Cat., pp. 1177, Oil-Fired Heater, No. 2E510, top left side of page.

Lawn-Boy Porta-Heat brochure, form No. 215773, copyright 1989 to Lawn-Boy Inc.

Primary Examiner—Wallace R. Burke
Assistant Examiner—Lisa Lichtenstein
Attorney, Agent, or Firm—Donald S. Trevarthen

[57] **CLAIM**

The ornamental design for a portable heater, as shown and described.

DESCRIPTION

FIG. 1 is a top, front, and left side perspective view of a portable heater showing our new design;

FIG. 2 is a top, rear, and right side perspective view thereof;

FIG. 3 is a top, front and left side perspective view of a portable heater showing a second embodiment of our new design;

FIG. 4 is a top rear and right side perspective view of FIG. 3;

FIG. 5 is a left side elevational view of FIG. 1;

FIG. 6 is a left side elevational view of FIG. 3;

FIG. 7 is a right side elevational view of FIG. 1;

FIG. 8 is a right side elevational view of FIG. 3;

FIG. 9 is a top plan view of FIGS. 1 and 3;

FIG. 10 is a bottom plan view of FIGS. 1 and 3;

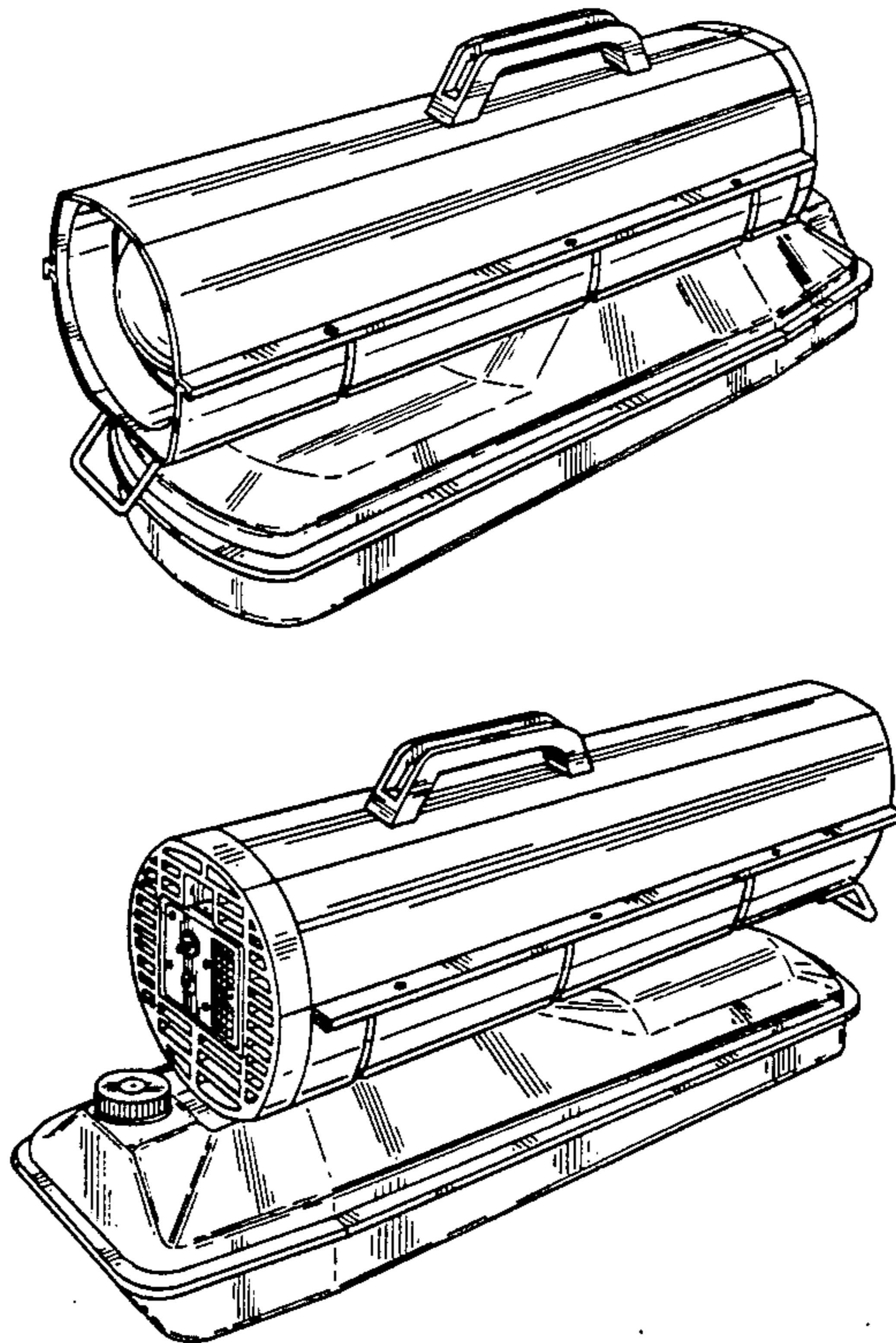
FIG. 11 is a front elevational view of FIG. 1;

FIG. 12 is a front elevational view of FIG. 3;

FIG. 13 is a rear elevational view of FIG. 1; and,

FIG. 14 is a rear elevational view of FIG. 3.

The mesh pattern, is partially shown in FIGS. 2, 4, 13, and 14 for ease of illustration, and is understood to extend throughout the area.



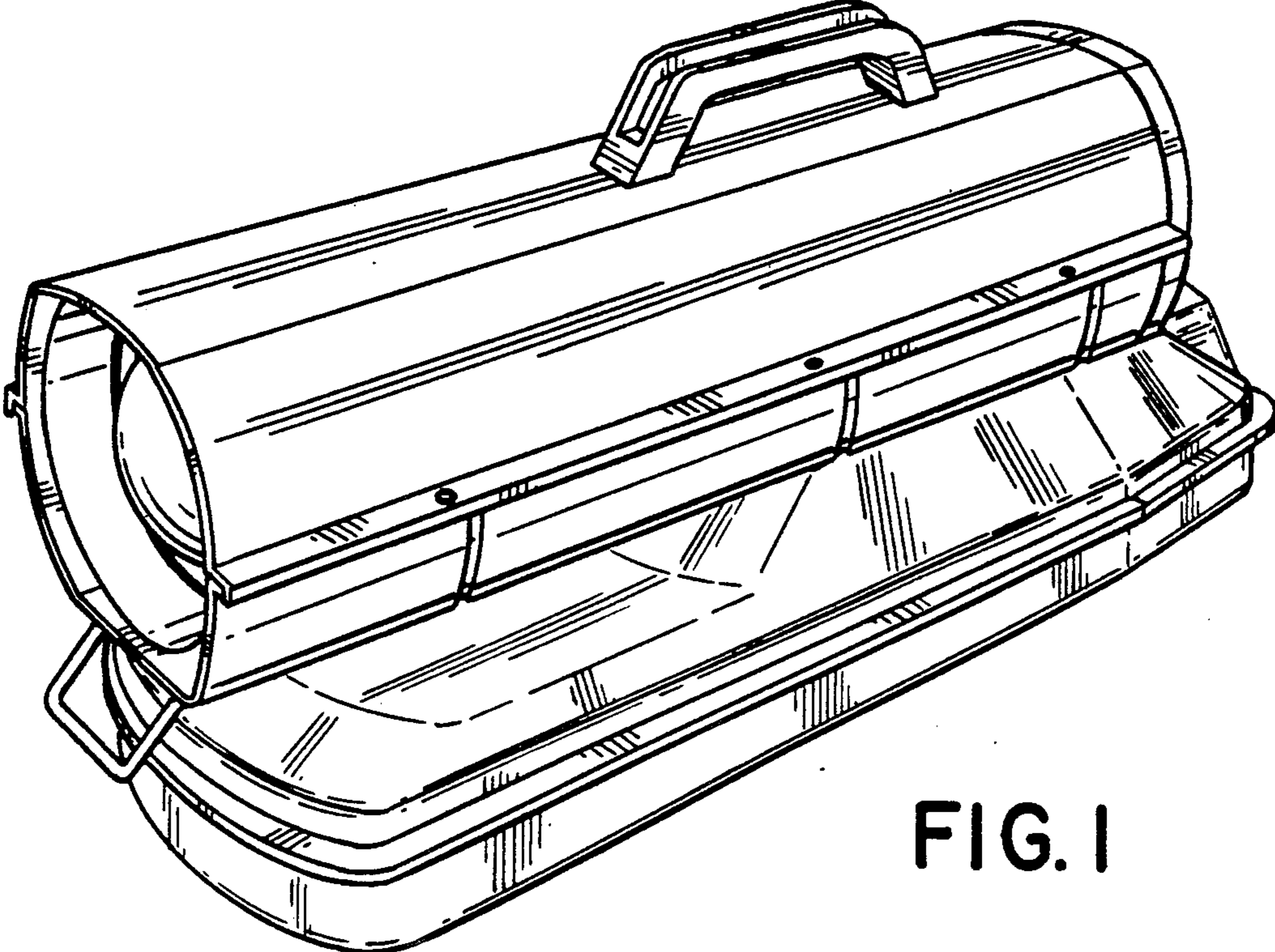


FIG. 1

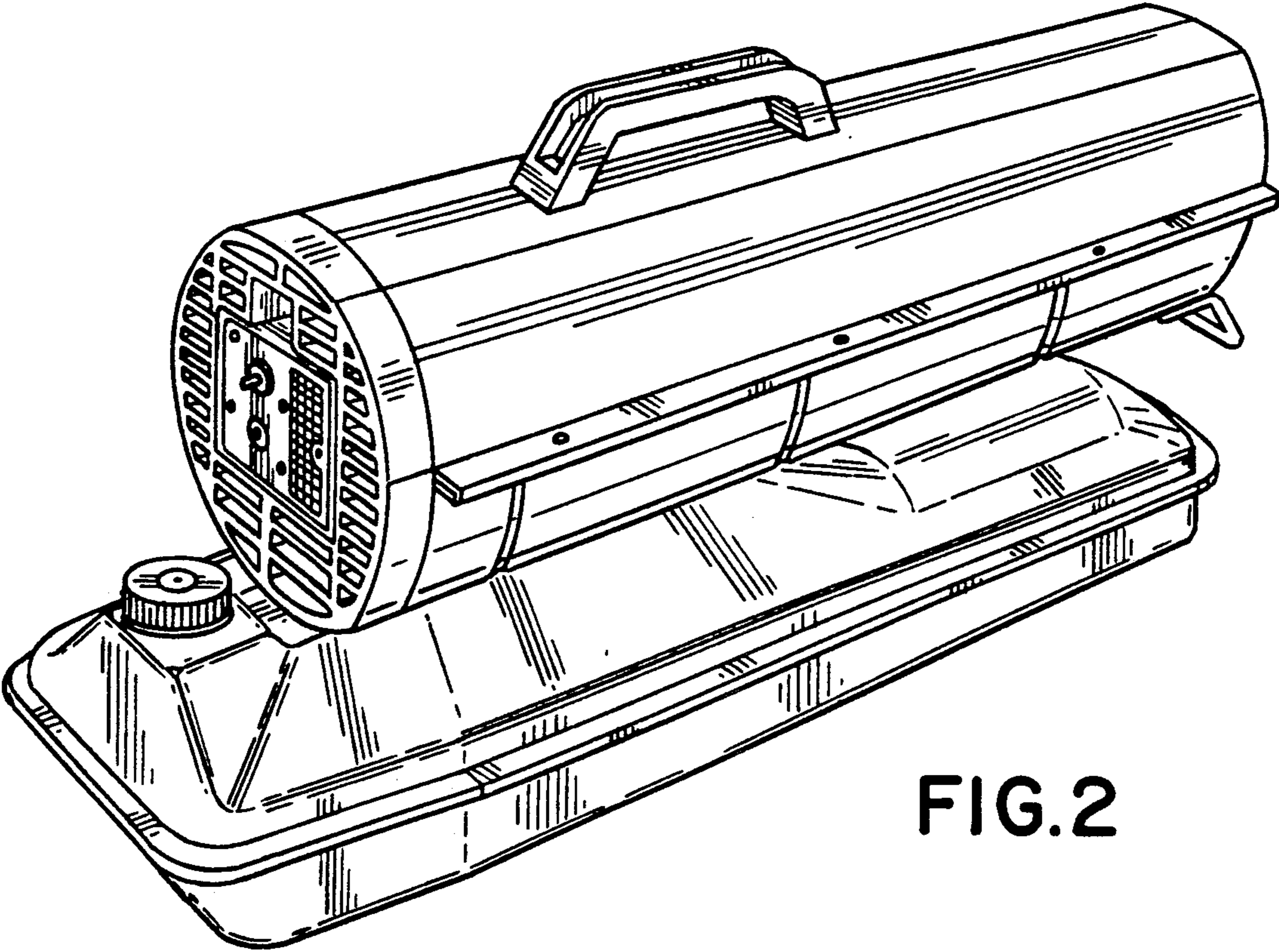


FIG. 2

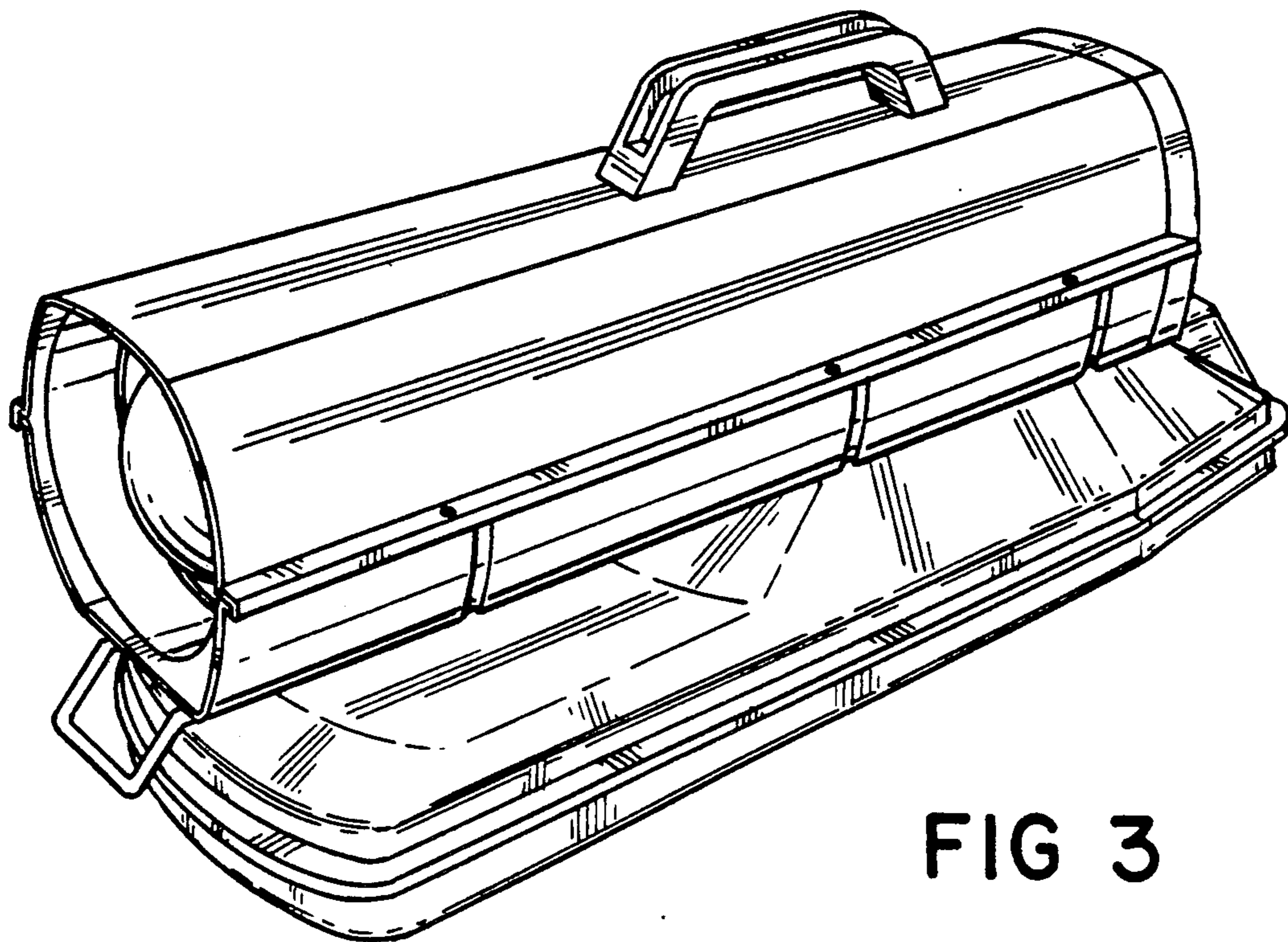


FIG 3

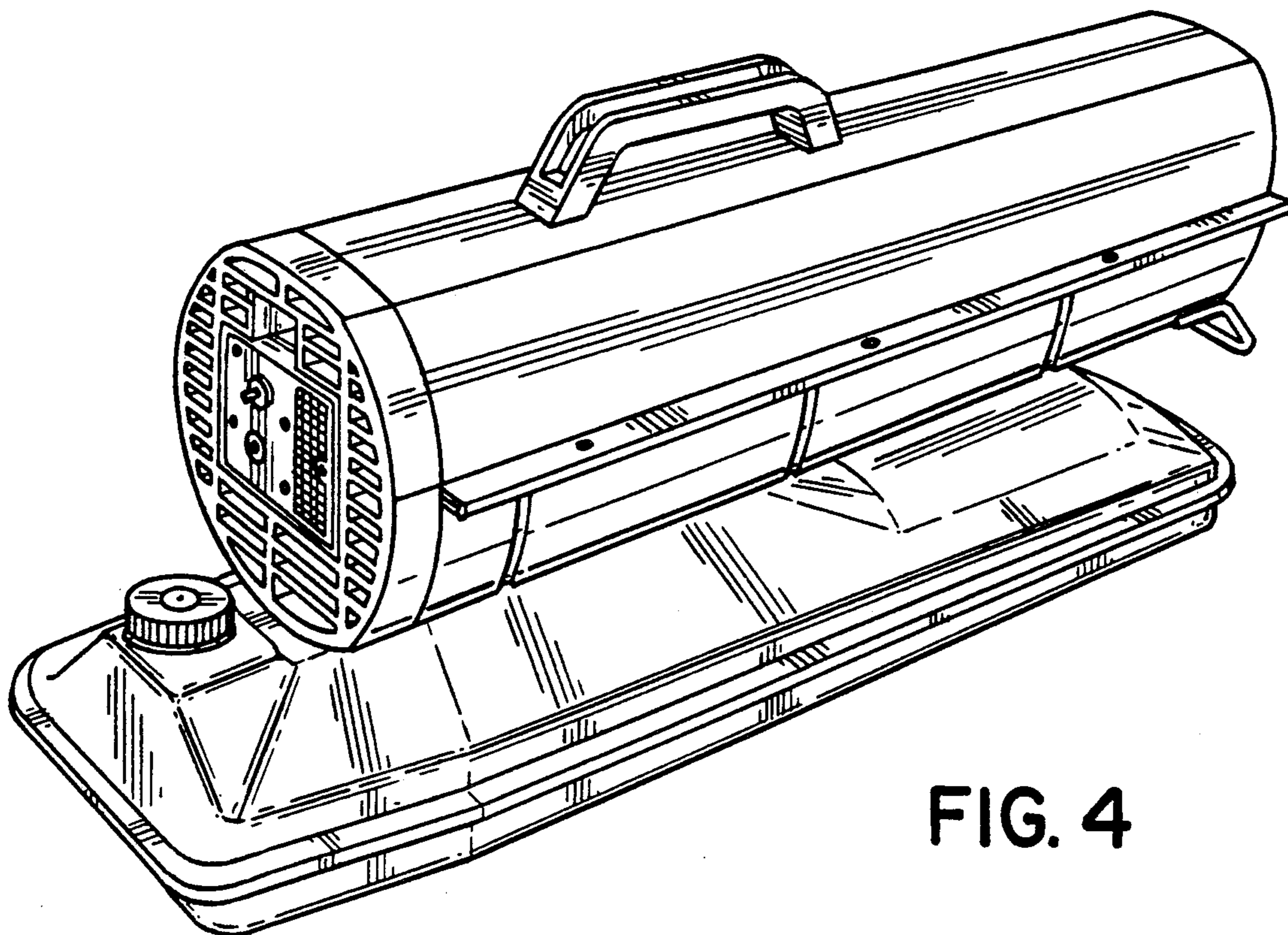


FIG. 4

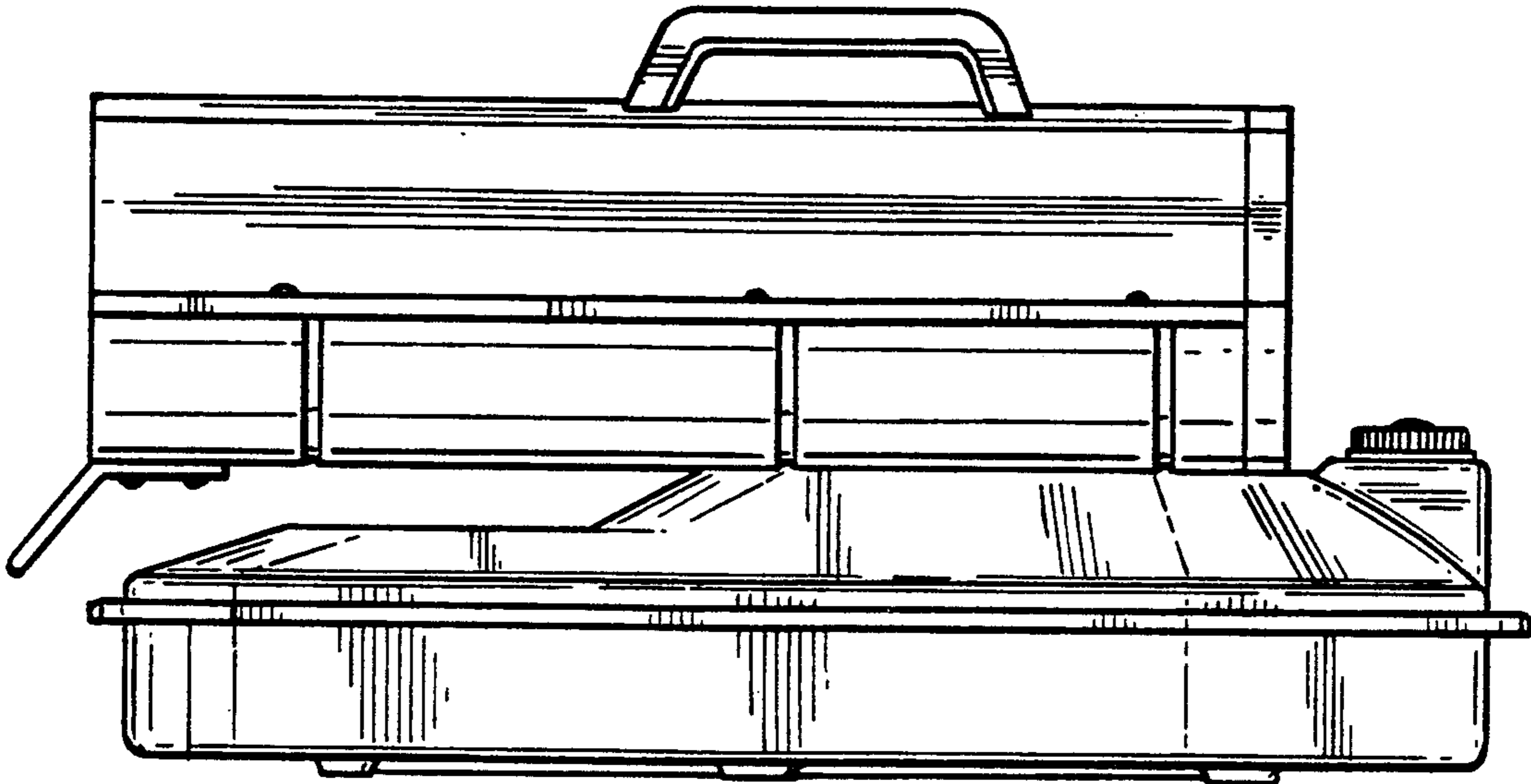


FIG. 5

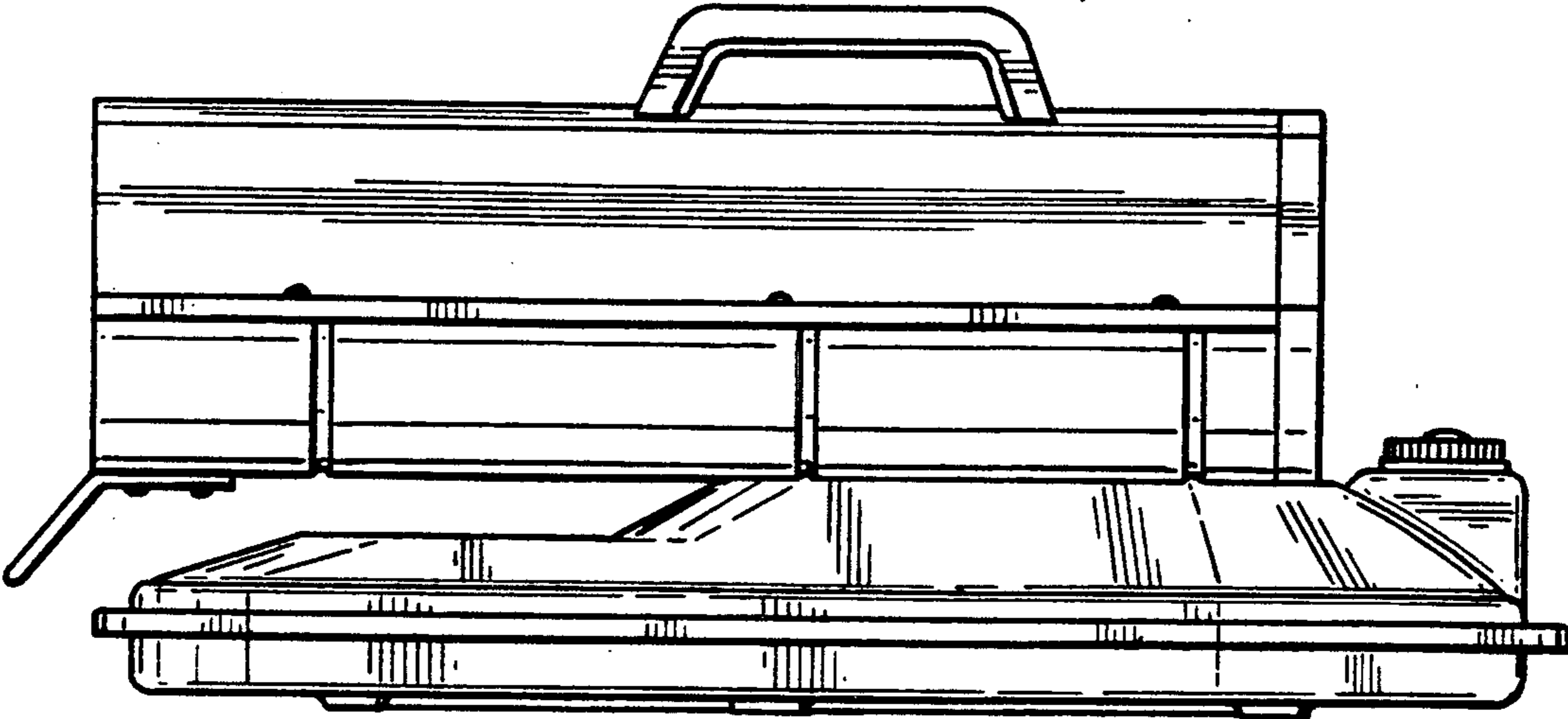


FIG. 6

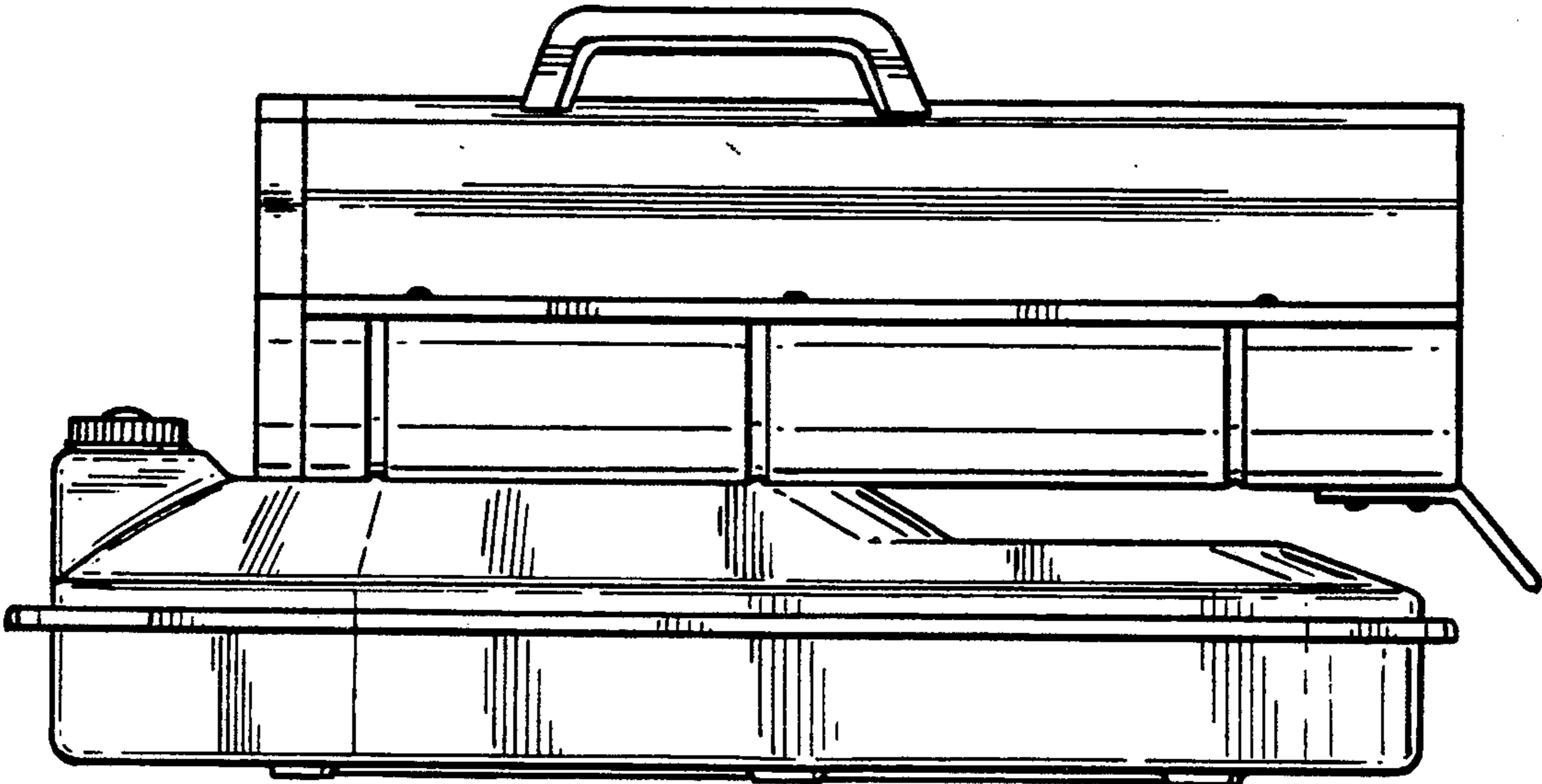


FIG. 7

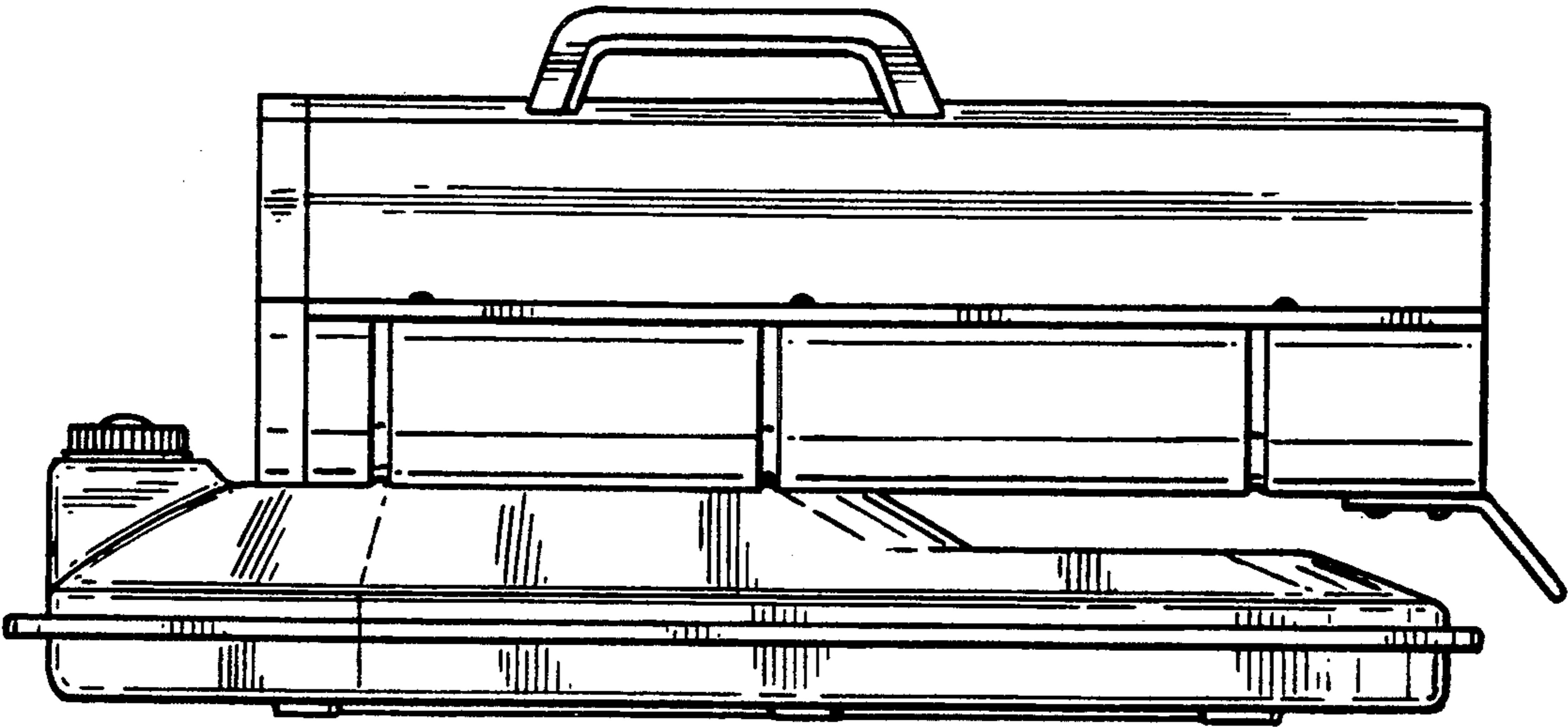


FIG. 8

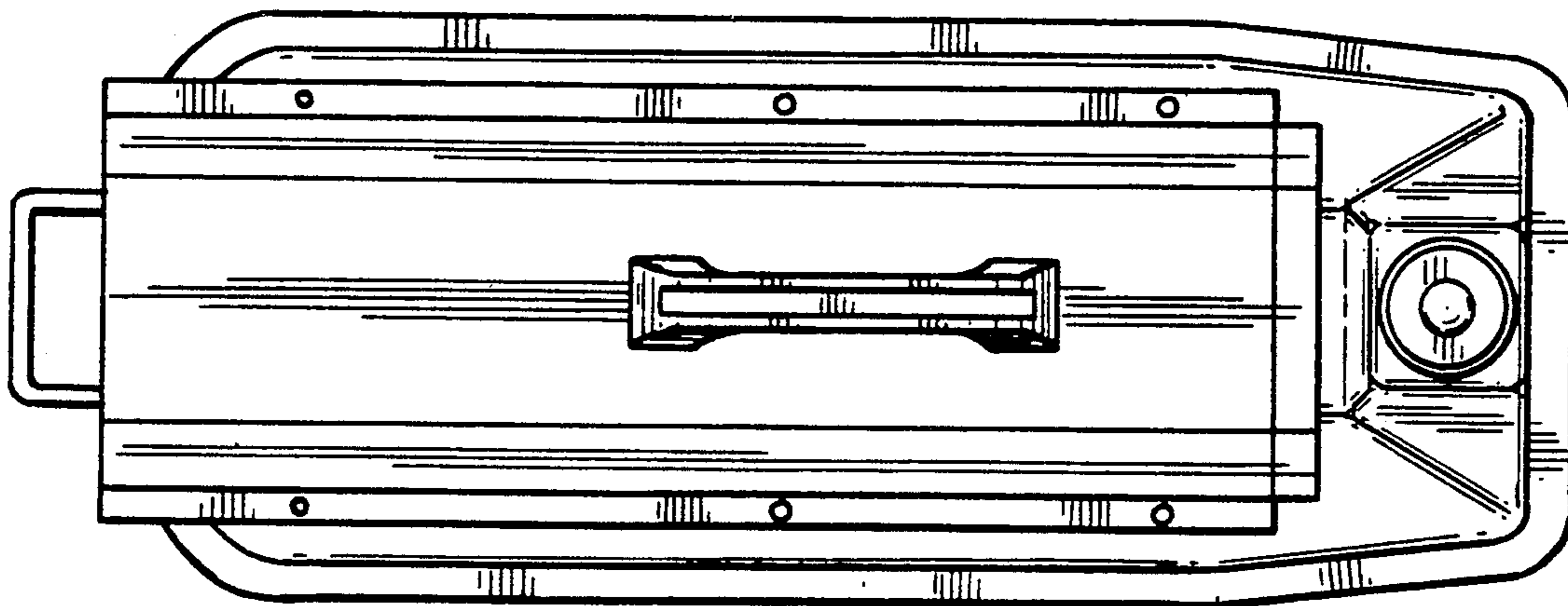


FIG. 9

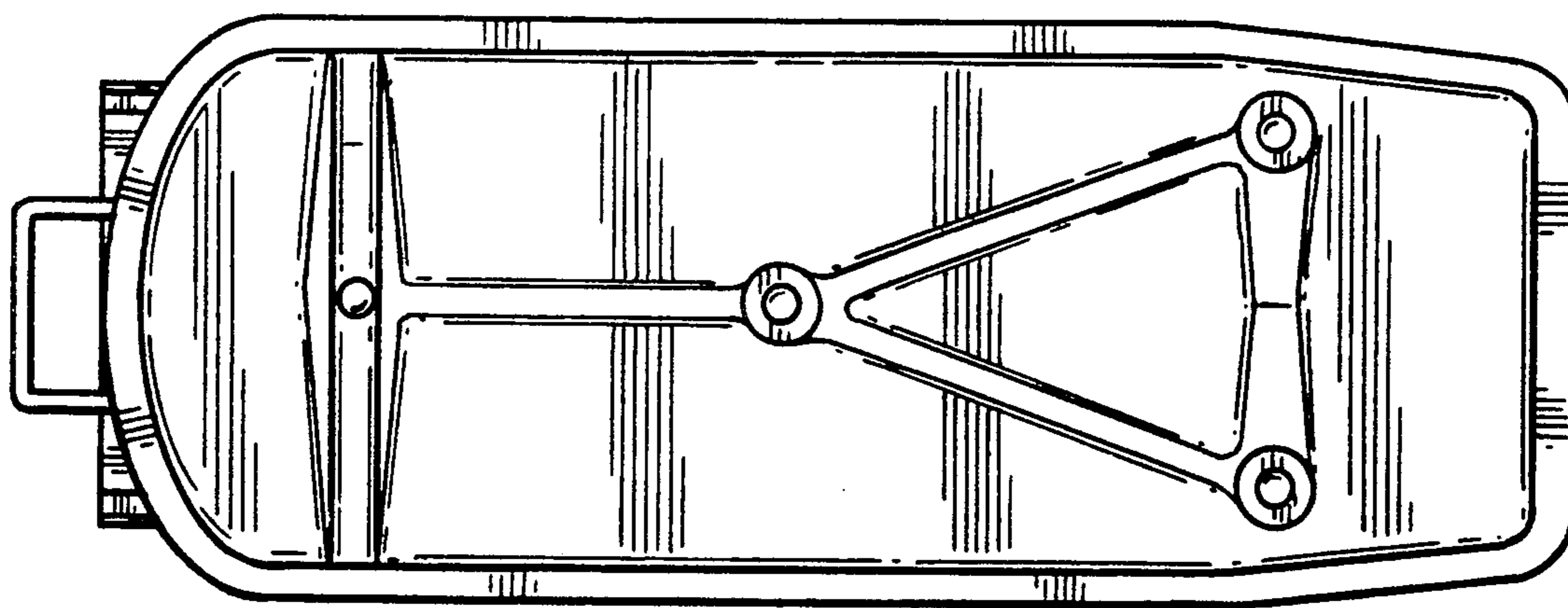


FIG. 10

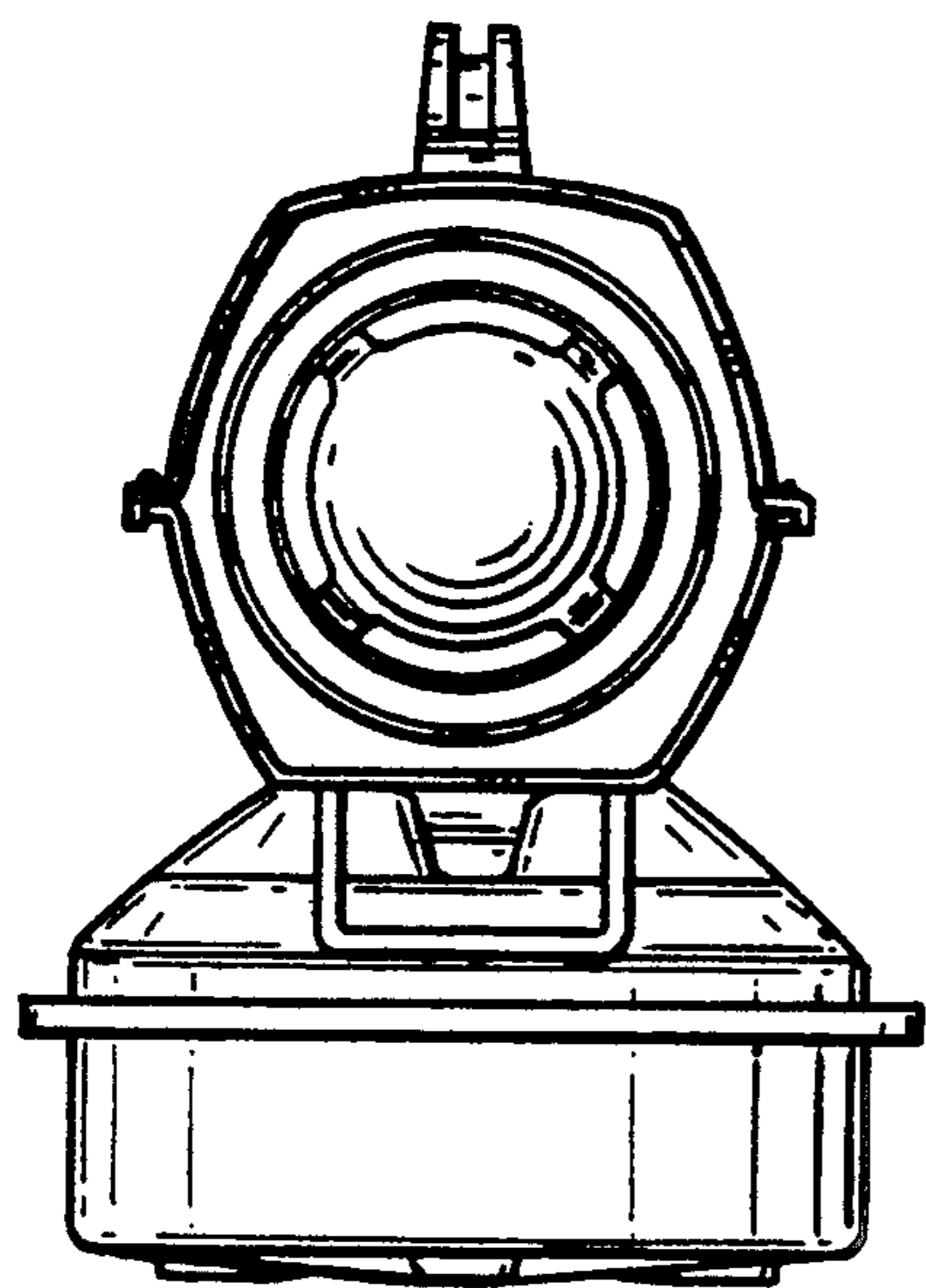


FIG. 11

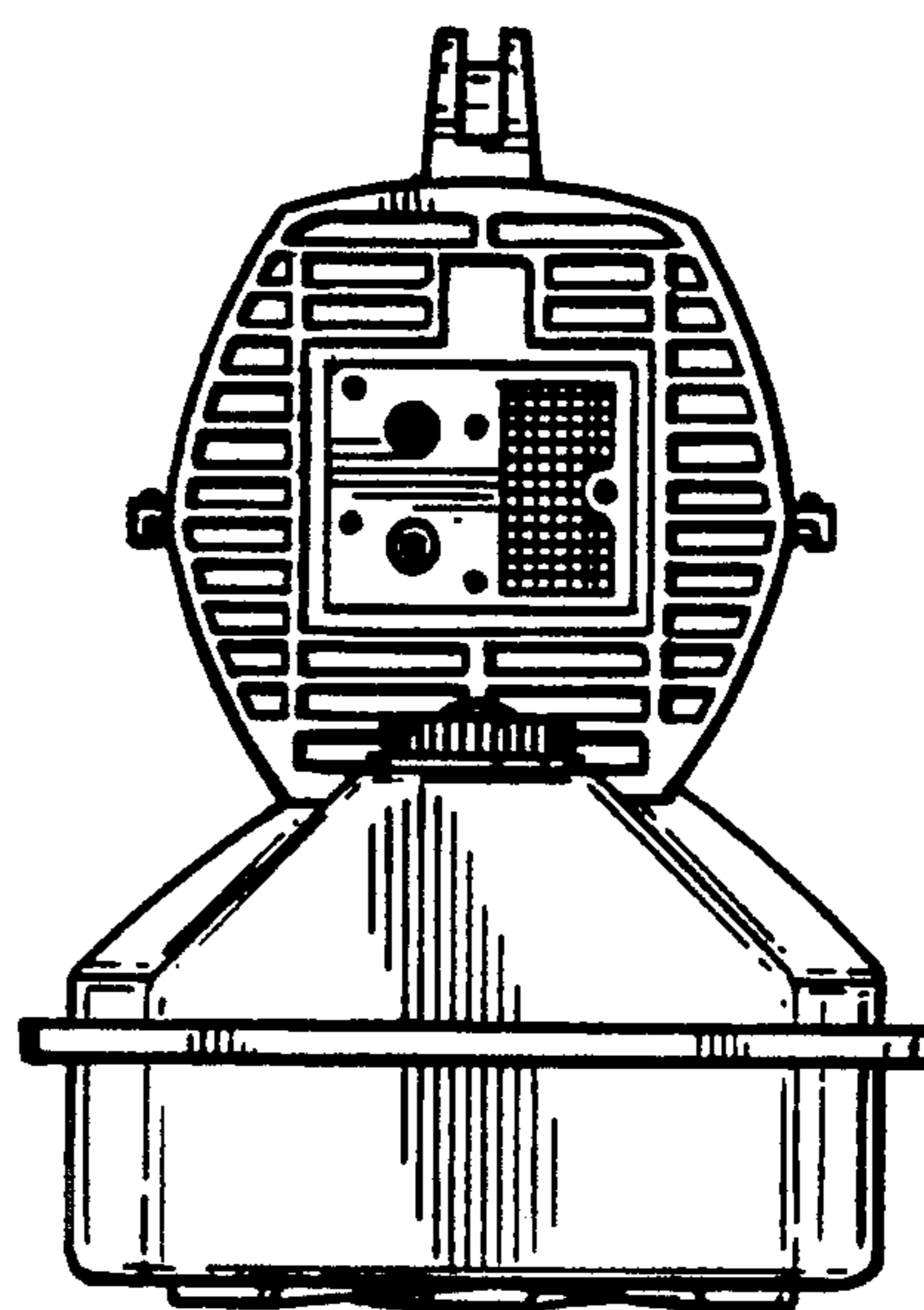


FIG. 13

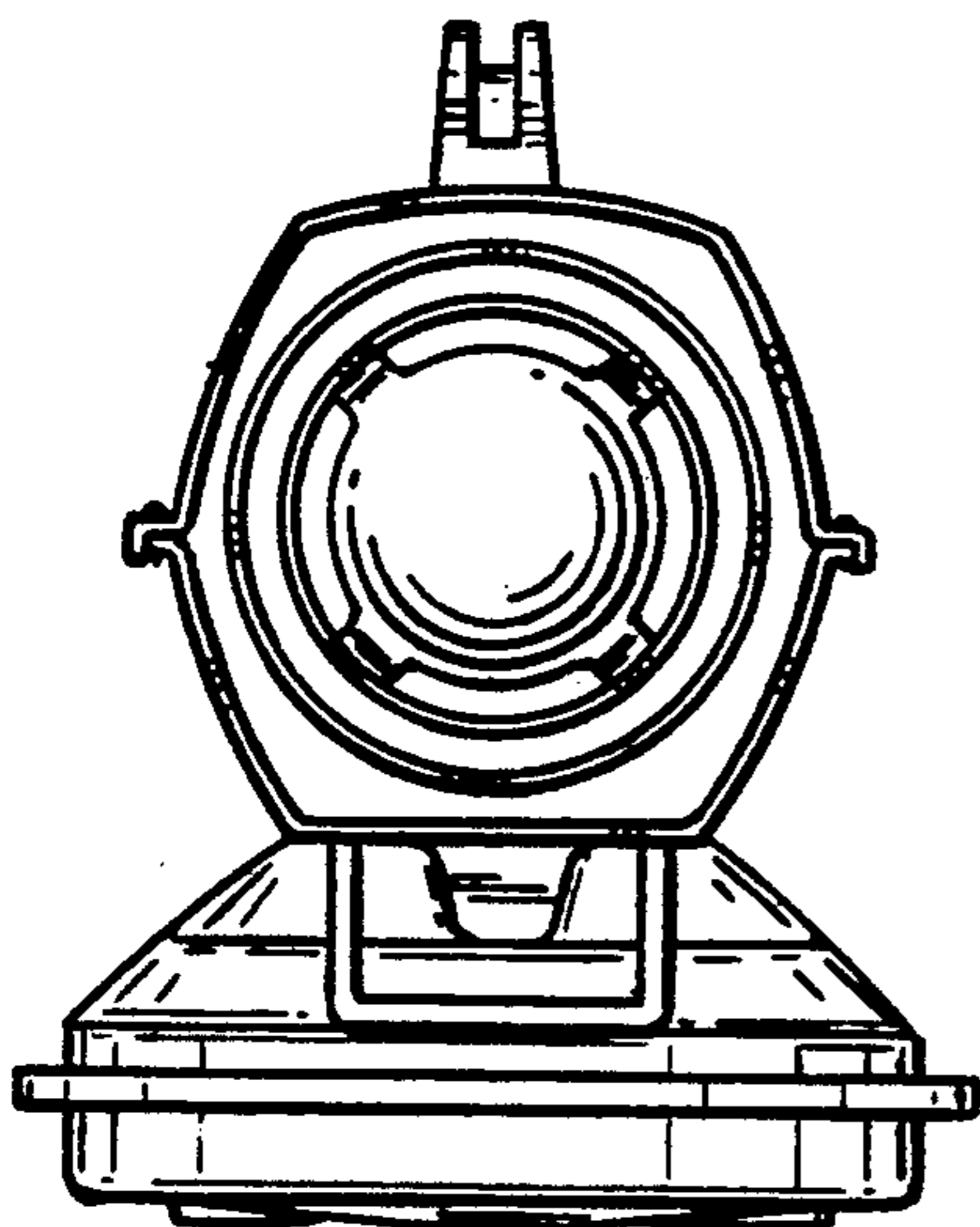


FIG. 12

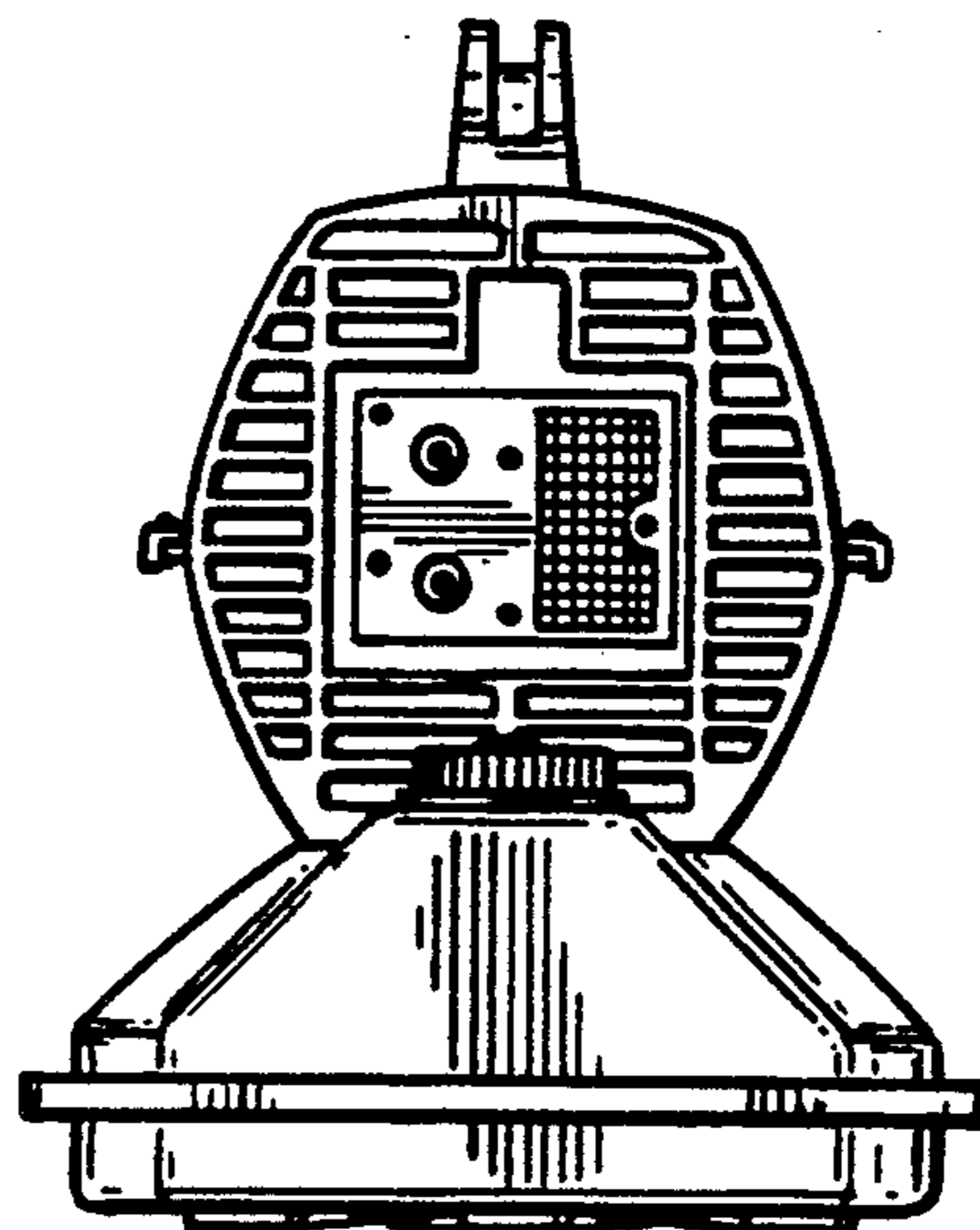


FIG. 14