



US00D330754S

United States Patent [19]
Gottwald

[11] **Patent Number: Des. 330,754**
[45] **Date of Patent: ** Nov. 3, 1992**

[54] **COMBINED CONTROL HANDLE AND ESCUTCHEON FOR SHOWERS OR THE LIKE**

[75] **Inventor: Adolf Gottwald, Iserlohn, Fed. Rep. of Germany**

[73] **Assignee: Friedrich Grohe Armaturenfabrik GmbH & Co., Hemer, Fed. Rep. of Germany**

[**] **Term: 14 Years**

[21] **Appl. No.: 595,928**

[22] **Filed: Oct. 11, 1990**

[30] **Foreign Application Priority Data**

Apr. 19, 1990 [DE] Fed. Rep. of Germany ... 9002736[U]

[52] **U.S. Cl. D23/254**

[58] **Field of Search D23/238-243, D23/250-257; D8/300, 301, 305-307, 310-312, 315, 319, 320, 350; 4/191, 192; 16/110, 118, 119, 121, 125**

[56] **References Cited**

U.S. PATENT DOCUMENTS

- D. 195,479 6/1963 Denker D8/310
- D. 197,911 4/1967 Clayton D8/310 X
- D. 241,440 9/1976 Doman D23/252

- D. 263,989 4/1982 Fleischmann D23/252
- D. 266,348 9/1982 Pigsco D23/252
- D. 268,513 4/1983 Thompson D8/312 X
- D. 285,107 8/1986 Ogilive D23/254
- D. 285,108 8/1986 Ogilive D23/254
- D. 285,245 8/1986 Ogilive D23/254
- D. 291,233 8/1987 Jans D23/242
- D. 294,631 3/1988 Bourbon D23/241

OTHER PUBLICATIONS

Kwikset Locksets, Form No. HMCS-1, Jan. 1960.

Primary Examiner—James R. Largen
Attorney, Agent, or Firm—Herbert Dubno; Ronald Lianides

[57] **CLAIM**

The ornamental design for a combined control handle and escutcheon for showers or the like as shown.

DESCRIPTION

FIG. 1 is a perspective view taken from the top, front and left side of a combined control handle and escutcheon for showers or the like showing my new design; FIG. 2 is a top plan view thereof; FIG. 3 is a front elevational view thereof; FIG. 4 is a bottom plan view thereof; FIG. 5 is a right side elevational view thereof; and, FIG. 6 is a left side elevational view thereof.

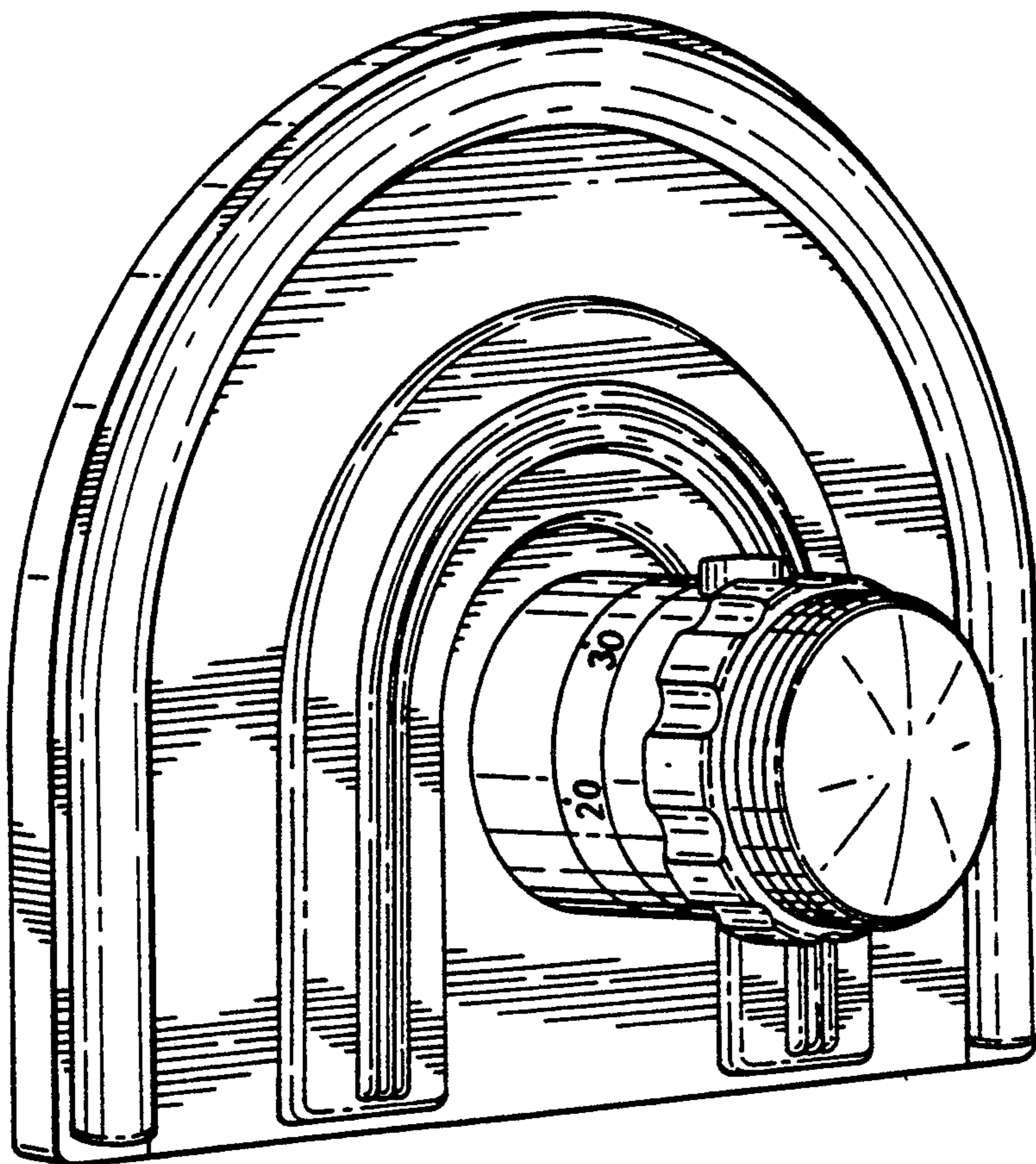
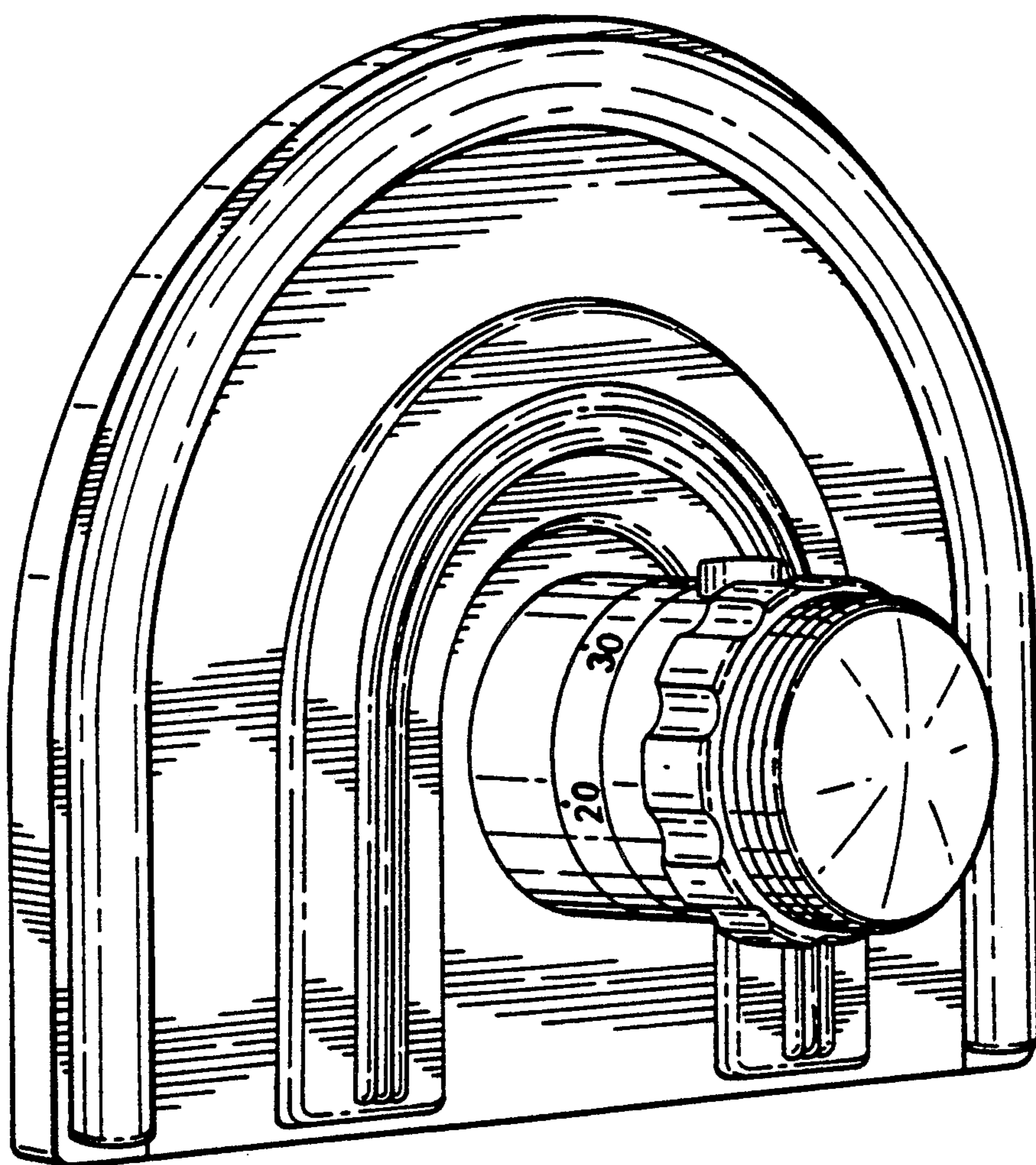


FIG. 1



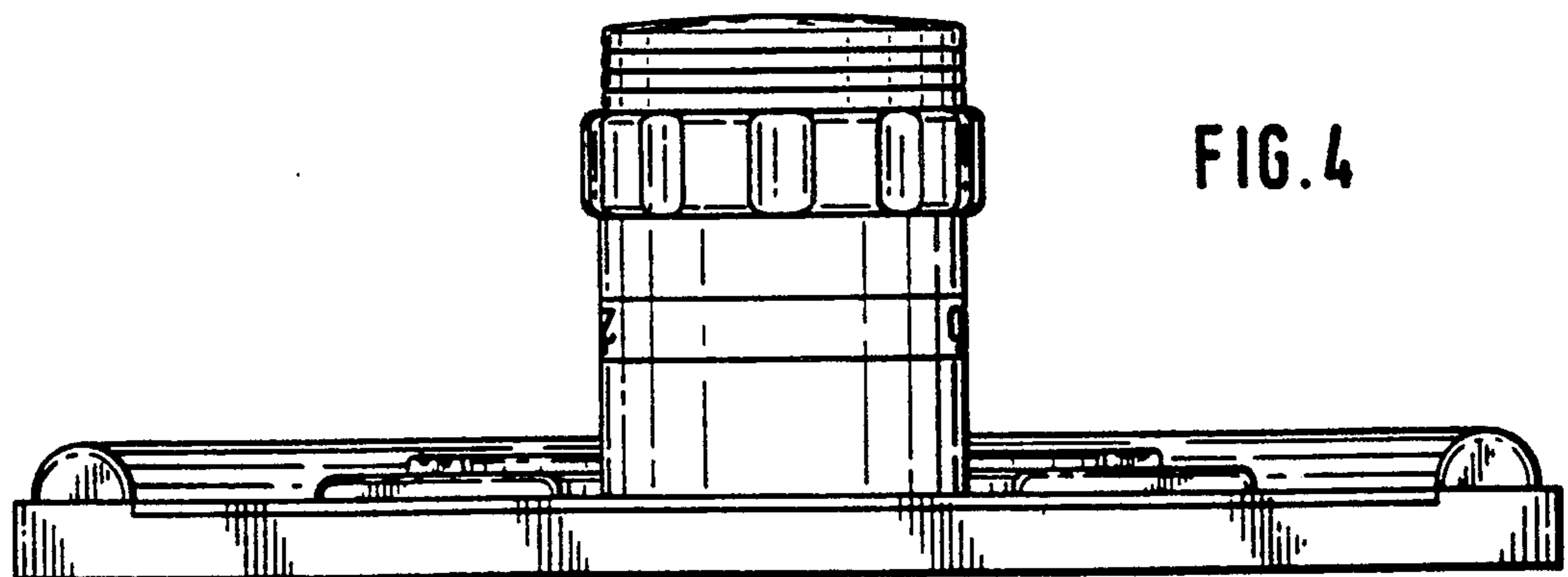
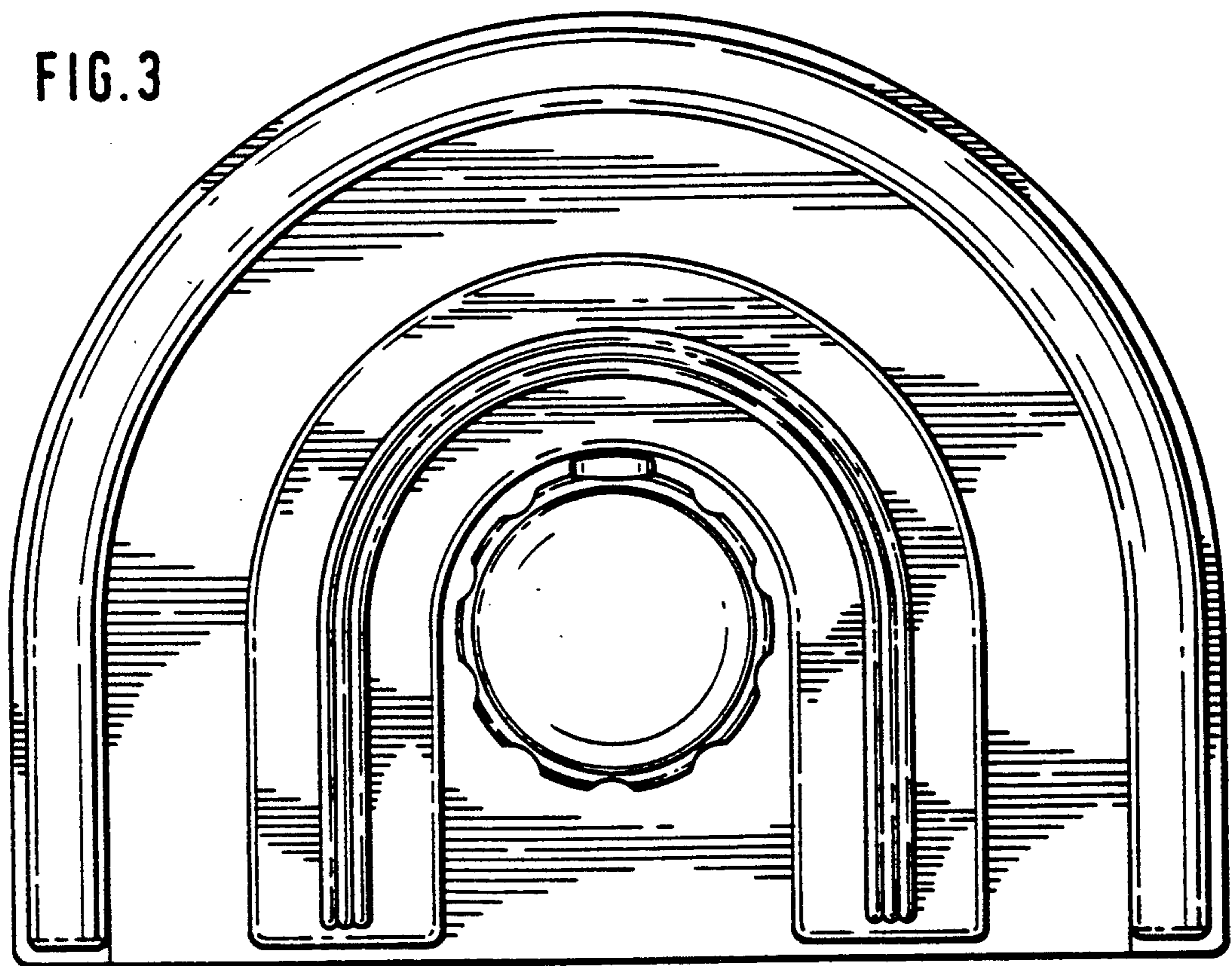
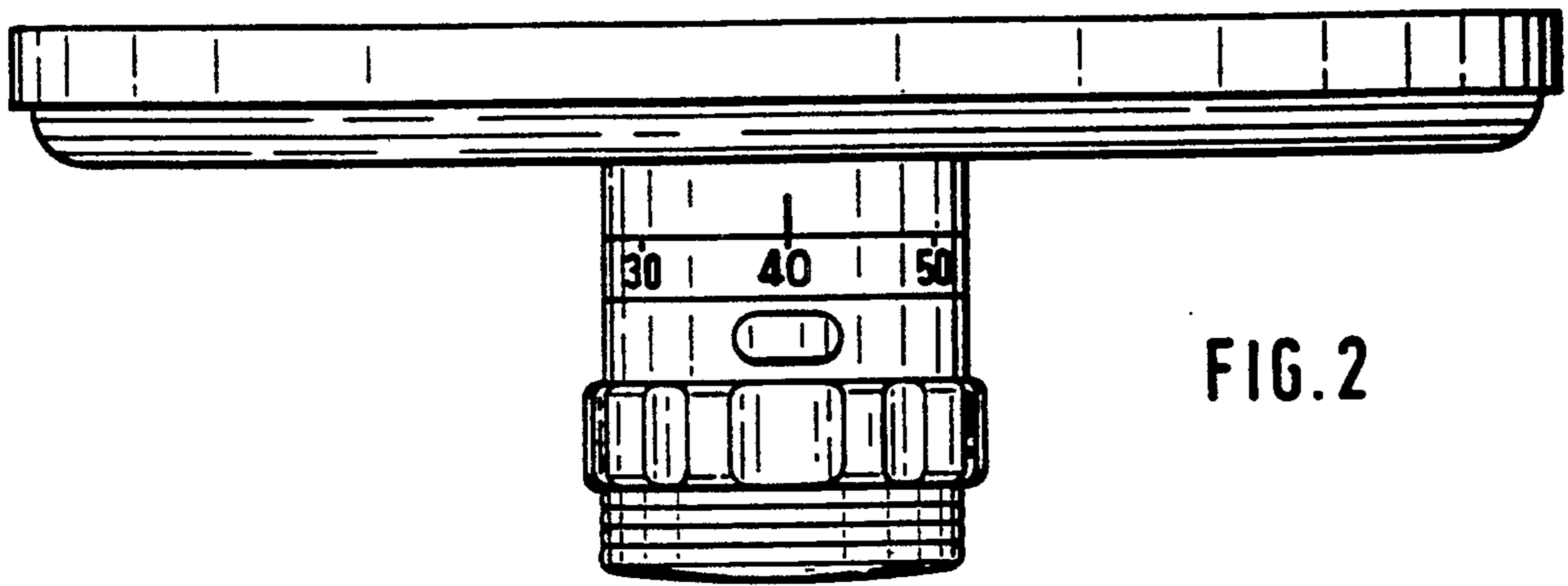


FIG. 5

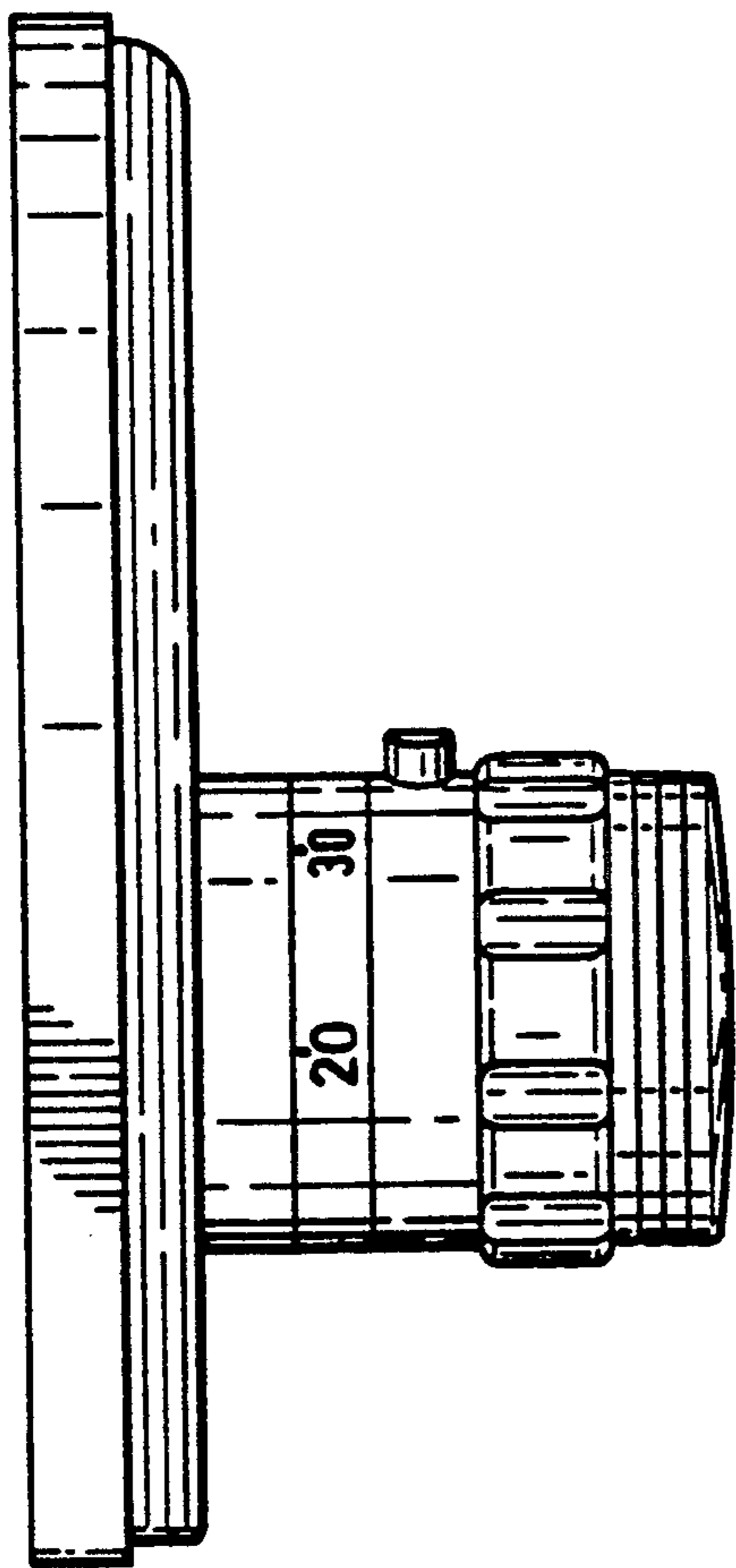
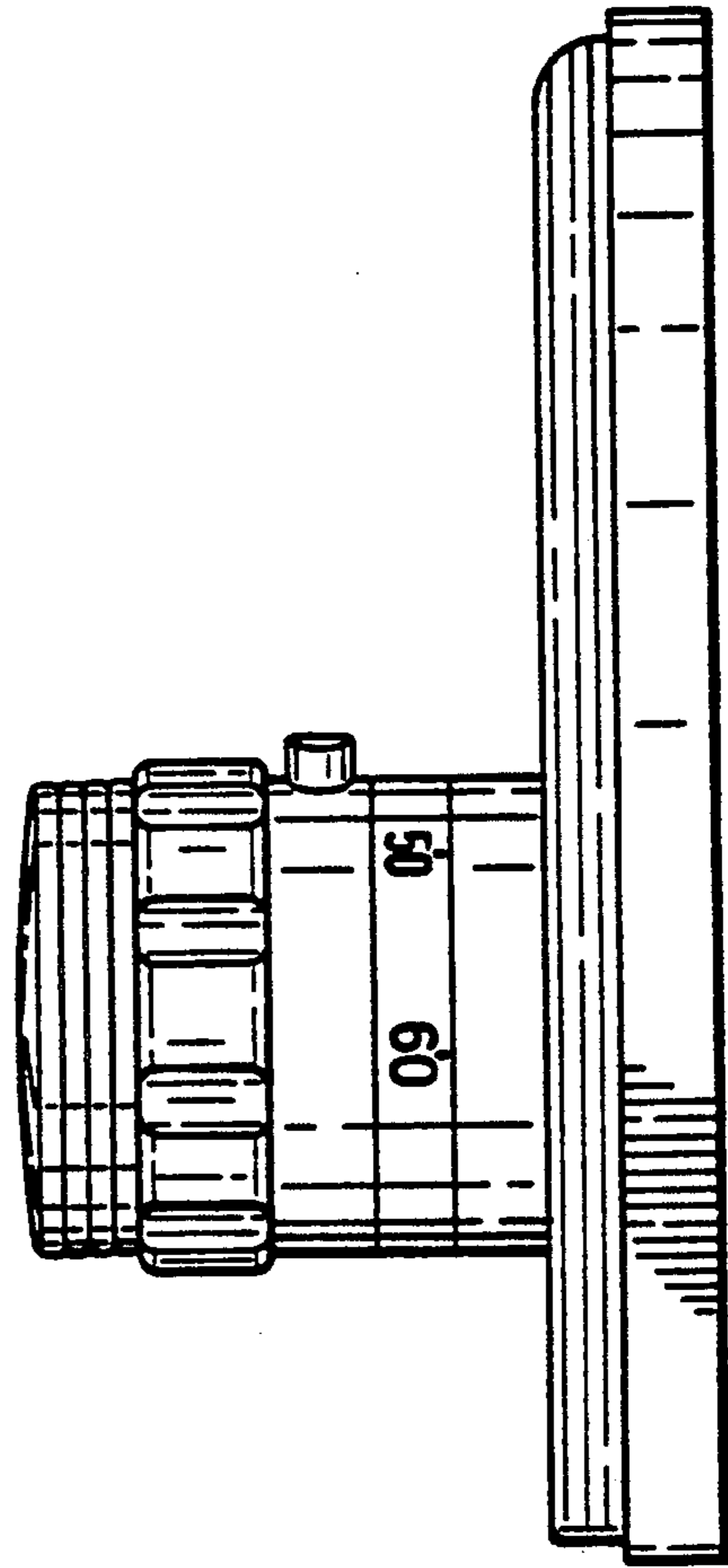


FIG. 6