



US00D330753S

# United States Patent [19]

[11] Patent Number: **Des. 330,753**

**Gutierrez**

[45] Date of Patent: **\*\* Nov. 3, 1992**

[54] **COMBINED FISHING ROD HOLDER AND STAND**

4,887,777 12/1989 Rasmussen ..... 43/17 X

[76] Inventor: **Manuel Gutierrez**, 1273 Meadow Sweet Rd., Golden, Colo. 80401

*Primary Examiner*—A. Hugo Word  
*Assistant Examiner*—Doris V. Coles  
*Attorney, Agent, or Firm*—Dean P. Edmundson

[\*\*] Term: **14 Years**

[57] **CLAIM**

[21] Appl. No.: **482,685**

The ornamental design for a combined fishing rod holder and stand, as shown and described.

[22] Filed: **Feb. 21, 1990**

[52] U.S. Cl. .... **D22/147**

[58] Field of Search ..... D22/147, 134; 43/19, 43/19.2, 21.2; 248/512, 513, 514, 541, 520, 528, 537, 538, 516, 523, 530, 533

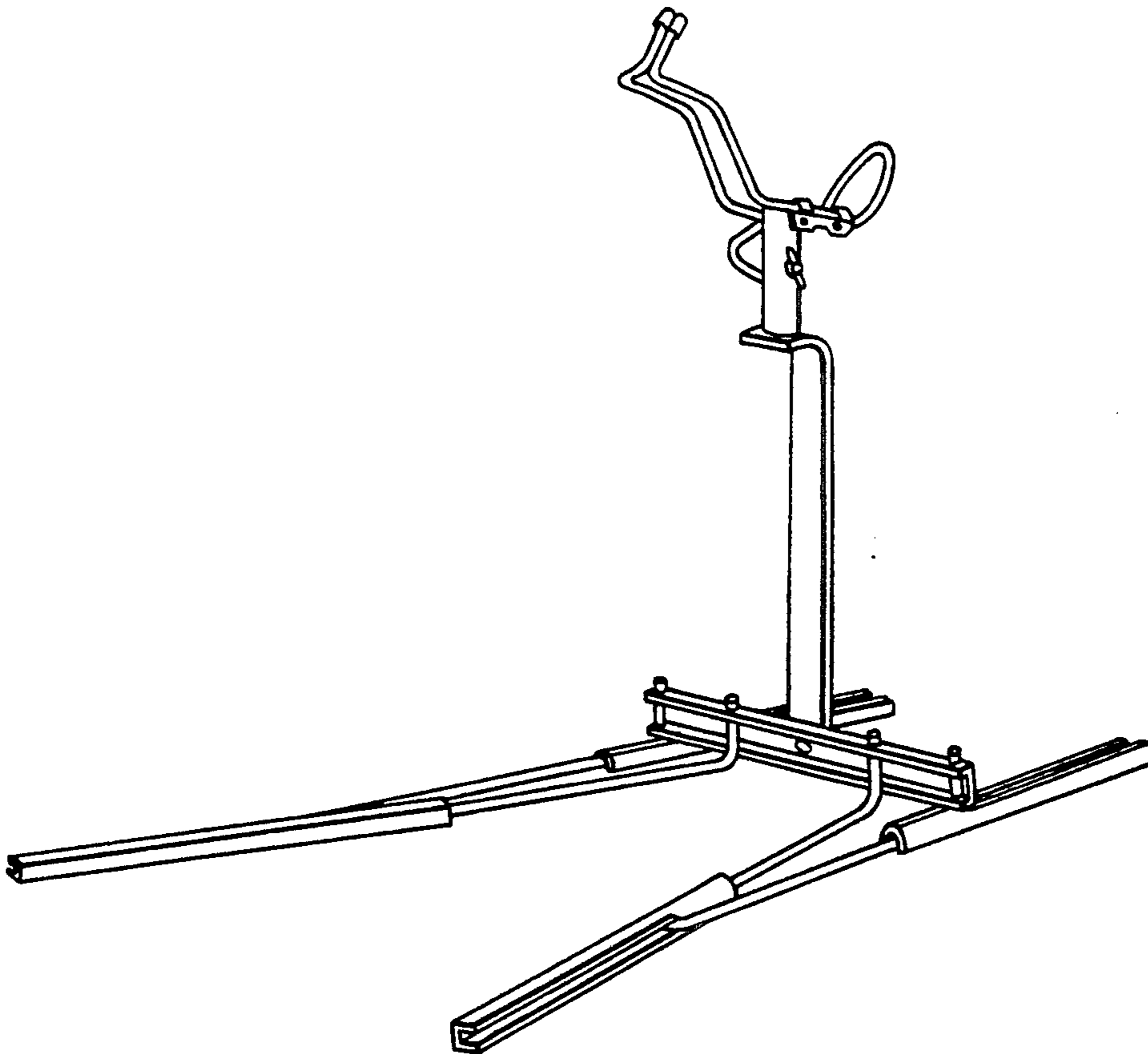
### DESCRIPTION

### [56] References Cited

#### U.S. PATENT DOCUMENTS

|           |         |                     |           |
|-----------|---------|---------------------|-----------|
| 2,636,303 | 4/1953  | Feigley et al. .... | 43/17     |
| 3,739,514 | 6/1973  | Odney .....         | 43/17     |
| 4,373,287 | 2/1983  | Grahl .....         | 43/19.2 X |
| 4,479,322 | 10/1984 | Koppel .....        | 43/21.2   |
| 4,523,403 | 6/1985  | Ivy et al. ....     | 43/21.2 X |
| 4,763,435 | 8/1988  | Deering .....       | D22/147 X |

FIG. 1 is a front perspective view of a combined fishing rod holder and stand, showing my new design; FIG. 2 is a rear and side perspective view thereof; FIG. 3 is a right side elevational view thereof; FIG. 4 is a left side elevational view thereof; FIG. 5 is a bottom plan view thereof; FIG. 6 is a top plan view thereof; FIG. 7 is a rear elevational view thereof; and, FIG. 8 is a front elevational view thereof. The broken line showing of a portion of a rod is for illustrative purposes and forms no part of the claimed design.



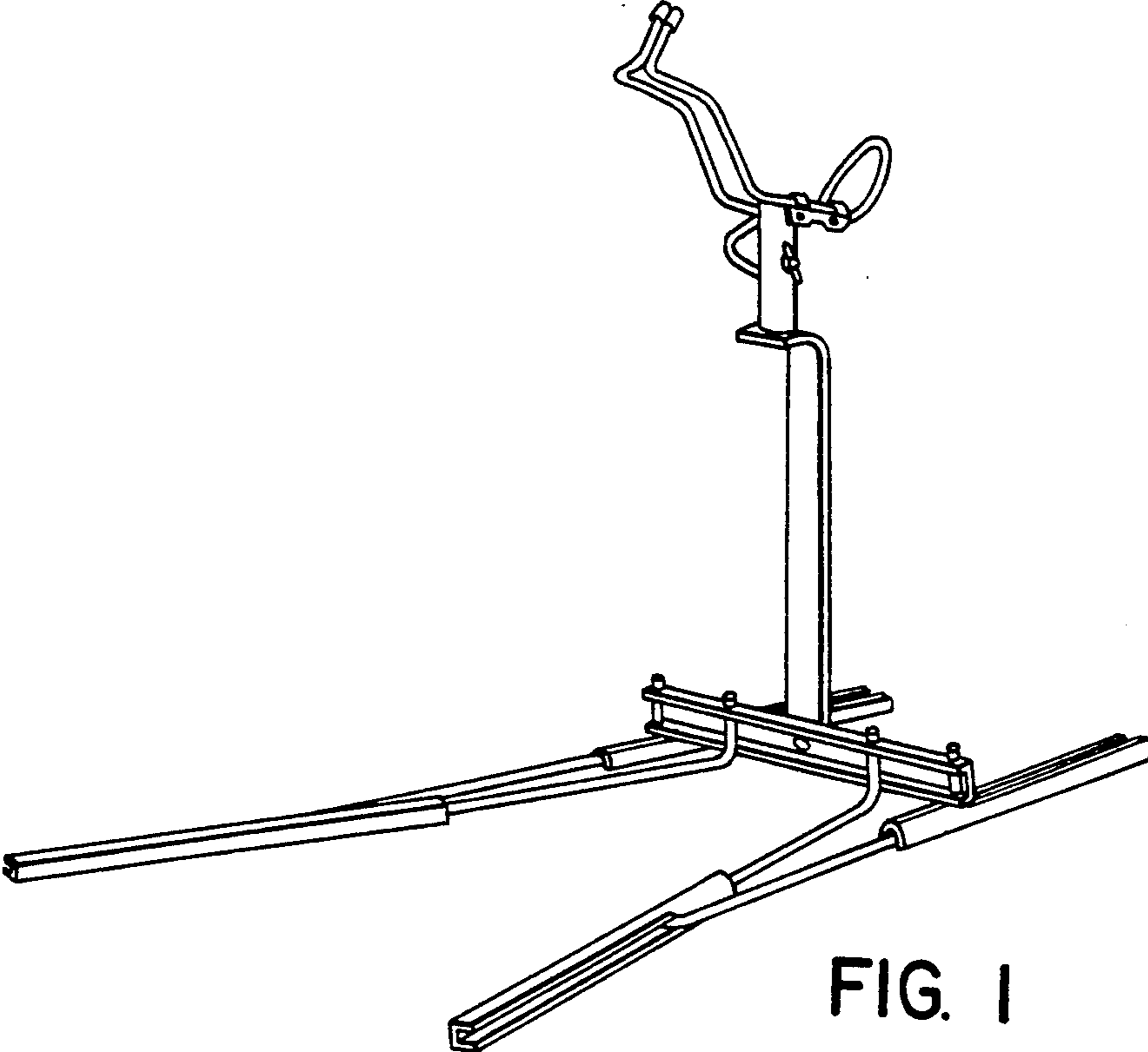


FIG. 1

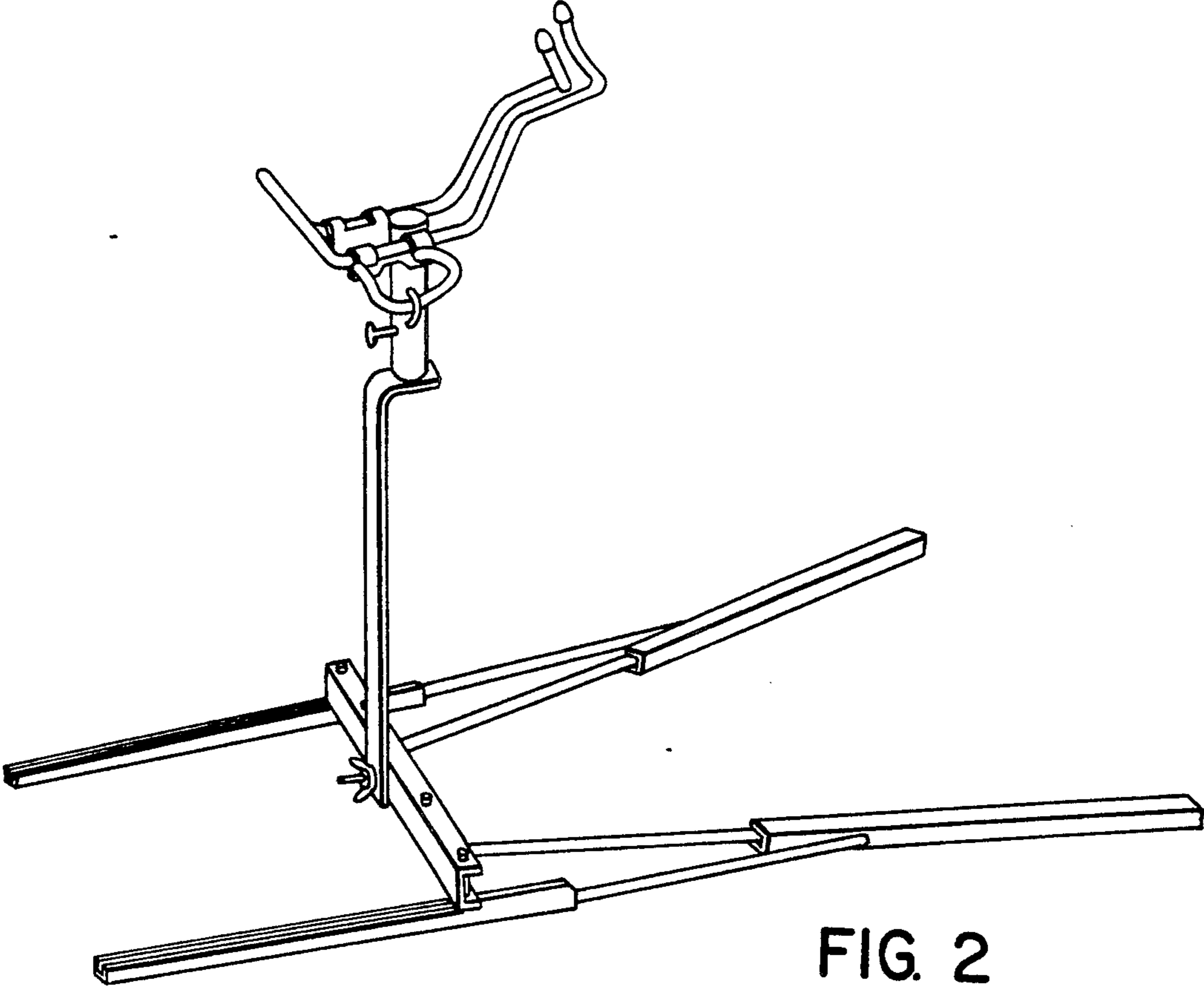
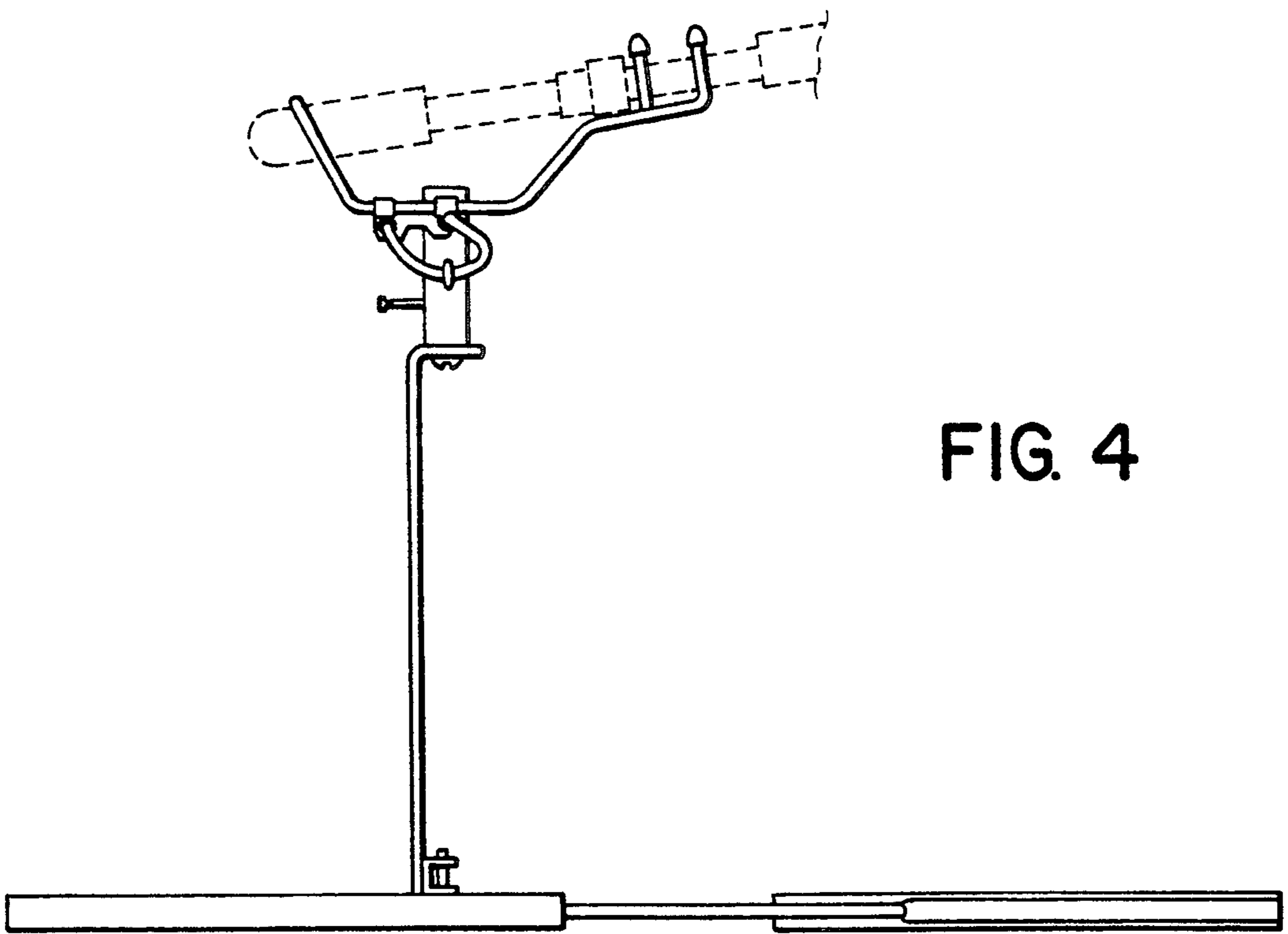
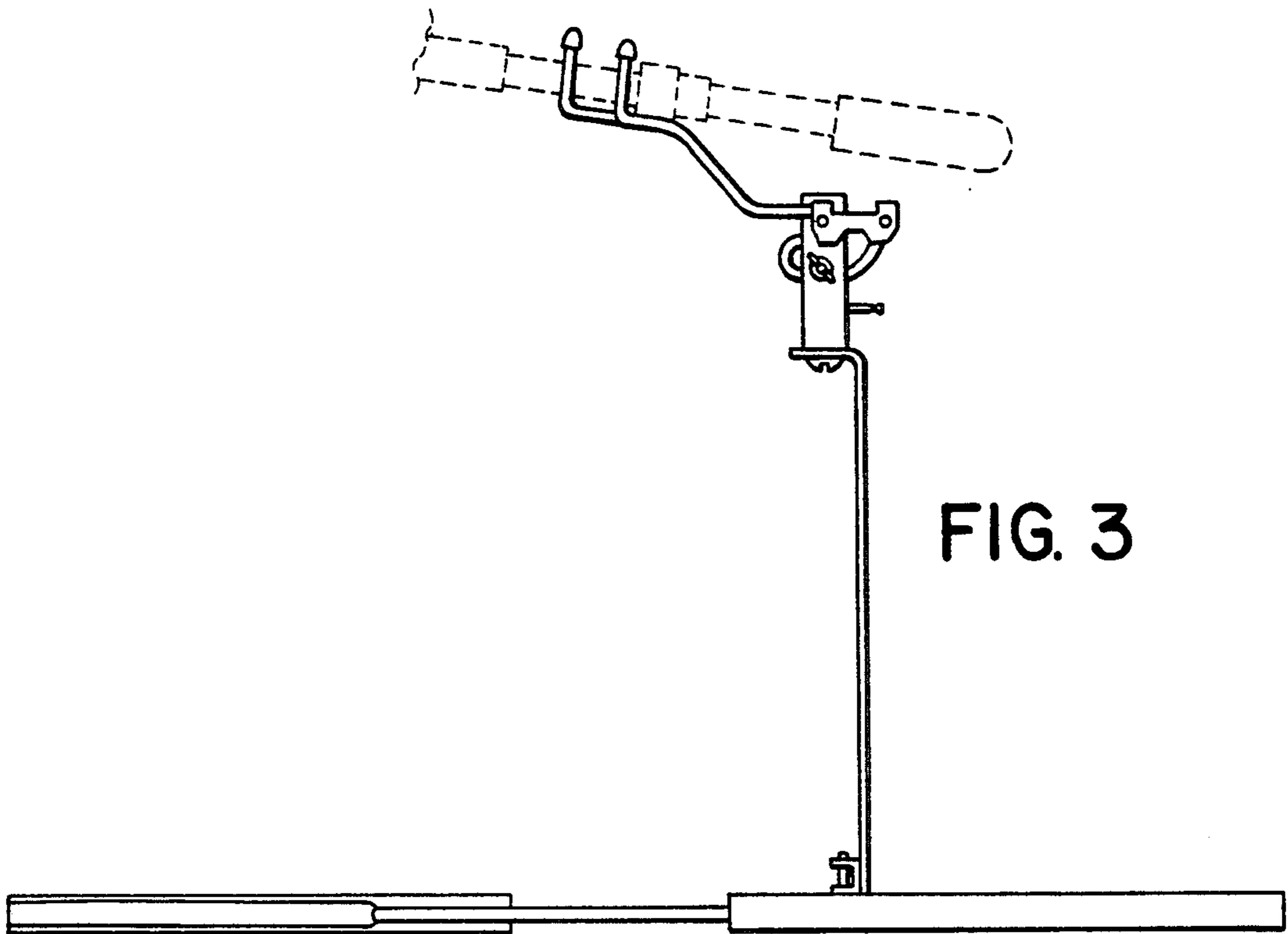
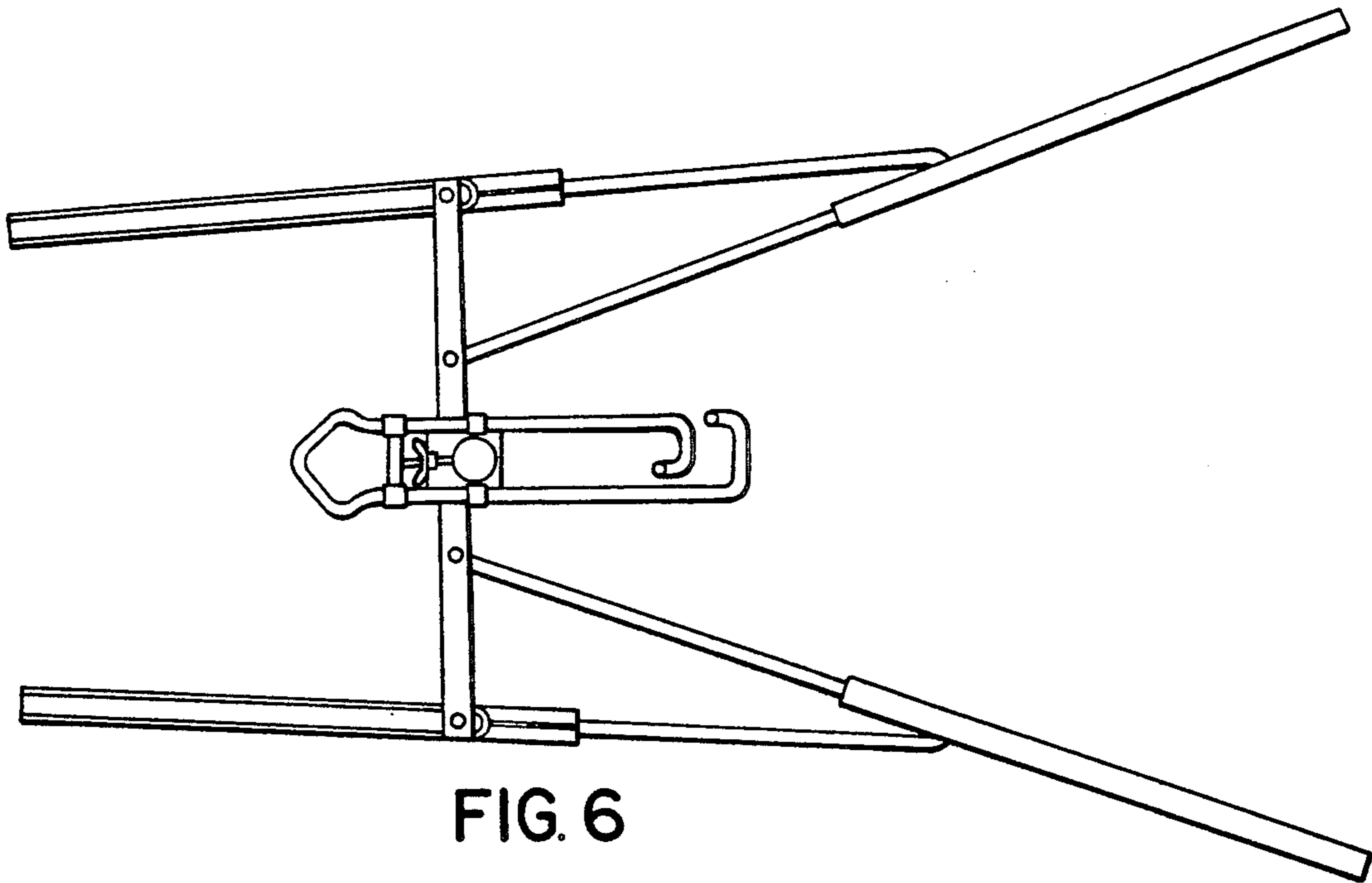
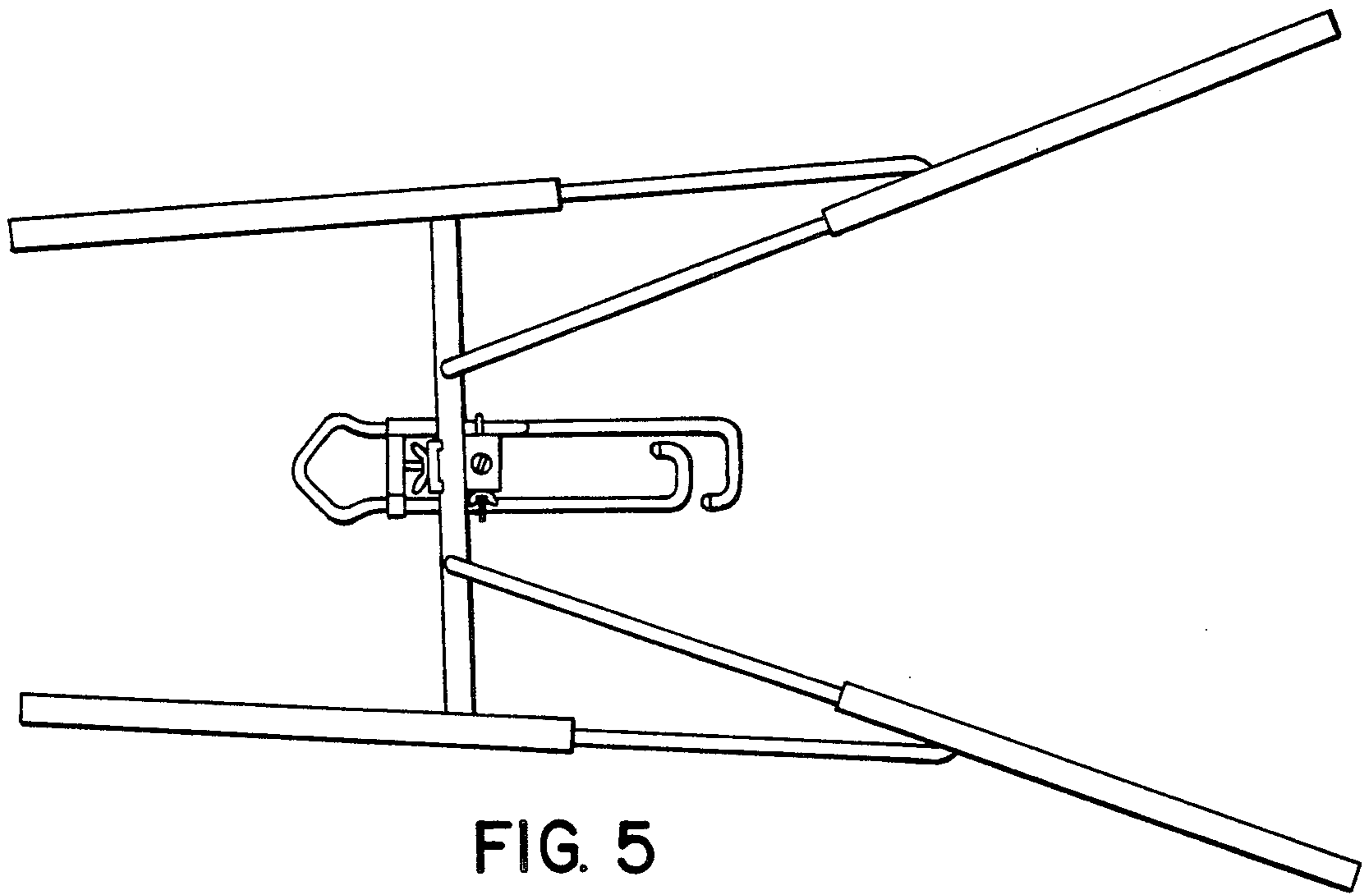


FIG. 2





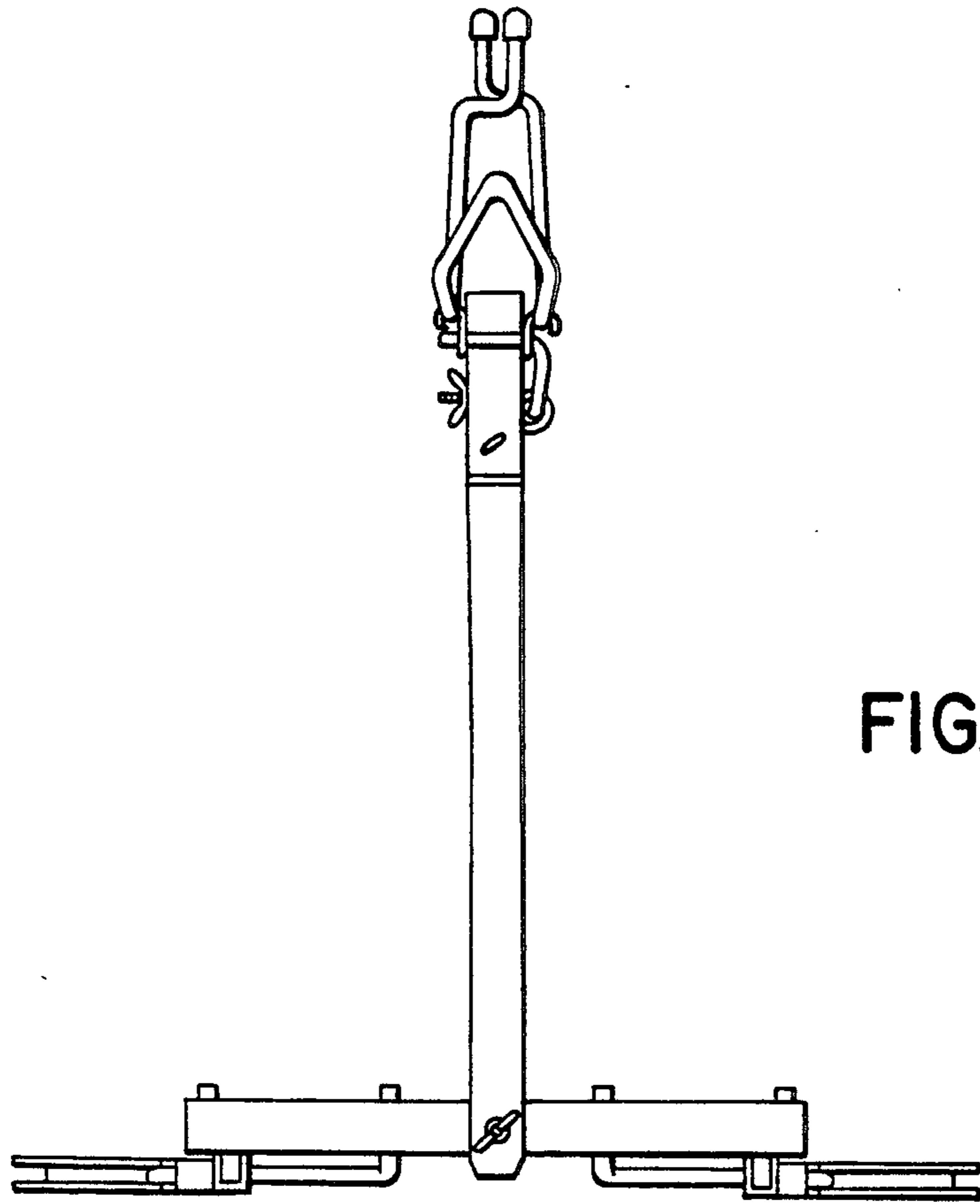


FIG. 7

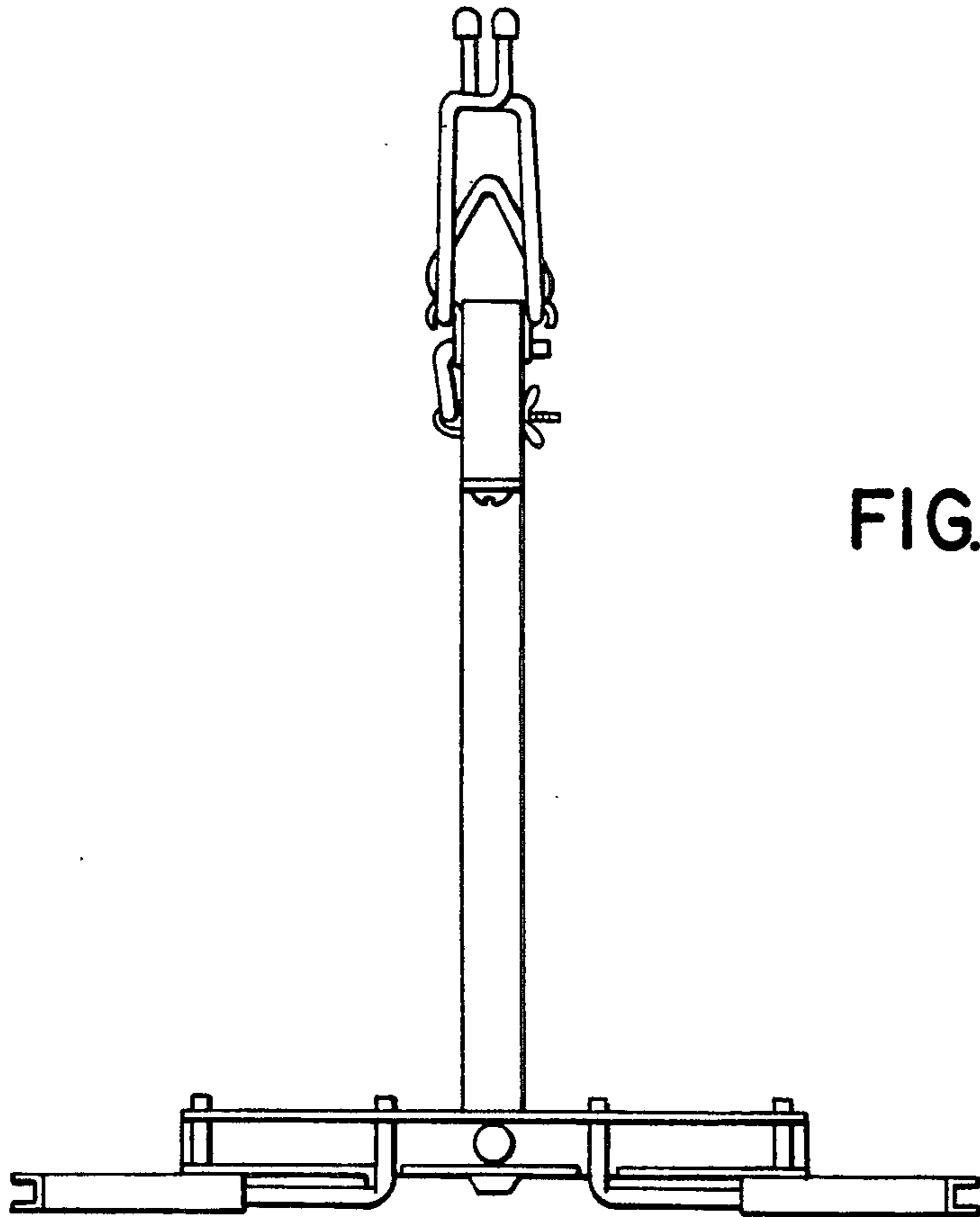


FIG. 8