



US00D330752S

United States Patent [19]
Spickelmire

[11] **Patent Number: Des. 330,752**
[45] **Date of Patent: ** Nov. 3, 1992**

- [54] **FISH LINE RUDDER**
- [75] **Inventor: W. James Spickelmire, Grangeville, Id.**
- [73] **Assignee: Gem Tackle Company, Grangeville, Id.**
- [**] **Term: 14 Years**
- [21] **Appl. No.: 530,067**
- [22] **Filed: May 29, 1990**
- [52] **U.S. Cl. D22/134; D22/126; D22/129**
- [58] **Field of Search D22/143, 129, 134; 43/25, 24, 42.19, 43.13, 42.03, 42.24, 43.1, 43.12**

2,803,081 8/1957 Nicholson 43/43.1 X
 3,175,324 3/1965 Blackwell 43/42.03

Primary Examiner—A. Hugo Word
Assistant Examiner—Doris V. Coles
Attorney, Agent, or Firm—Wells, St. John, Roberts, Gregory & Matkin

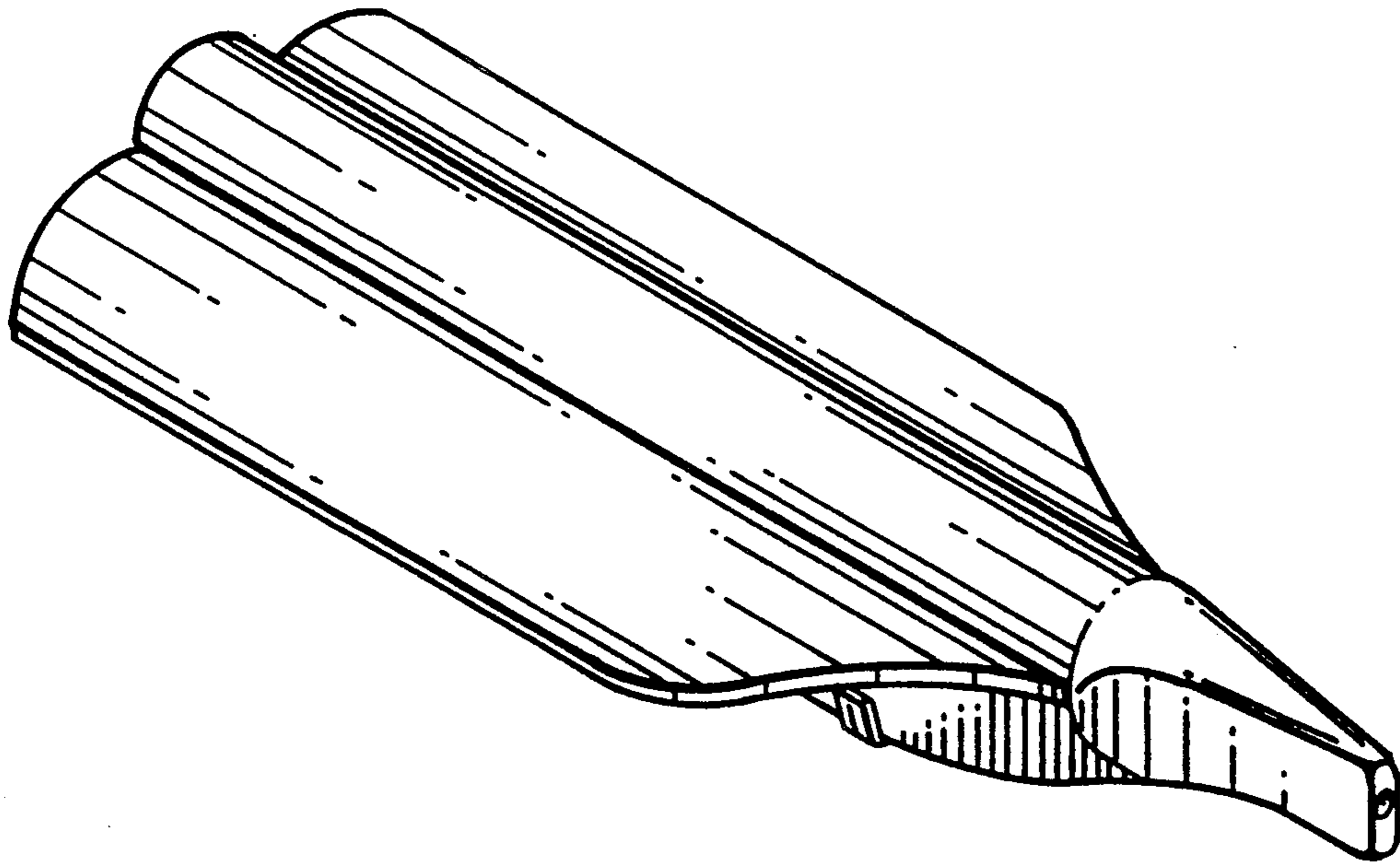
[57] **CLAIM**

The ornamental design for a fish line rudder, as shown and described.

DESCRIPTION

FIG. 1 is a top perspective view of a fish line rudder showing my new design;
 FIG. 2 is a bottom perspective view thereof;
 FIG. 3 is a top plan view thereof;
 FIG. 4 is a side elevational view thereof, the opposite side being a mirror image thereof;
 FIG. 5 is a bottom plan view thereof;
 FIG. 6 is a front end elevational view thereof; and,
 FIG. 7 is a rear end elevational view thereof.

- [56] **References Cited**
- U.S. PATENT DOCUMENTS**
- 1,464,041 8/1923 Holcomb D22/129 X
- 2,749,651 6/1956 Snider 43/43.13



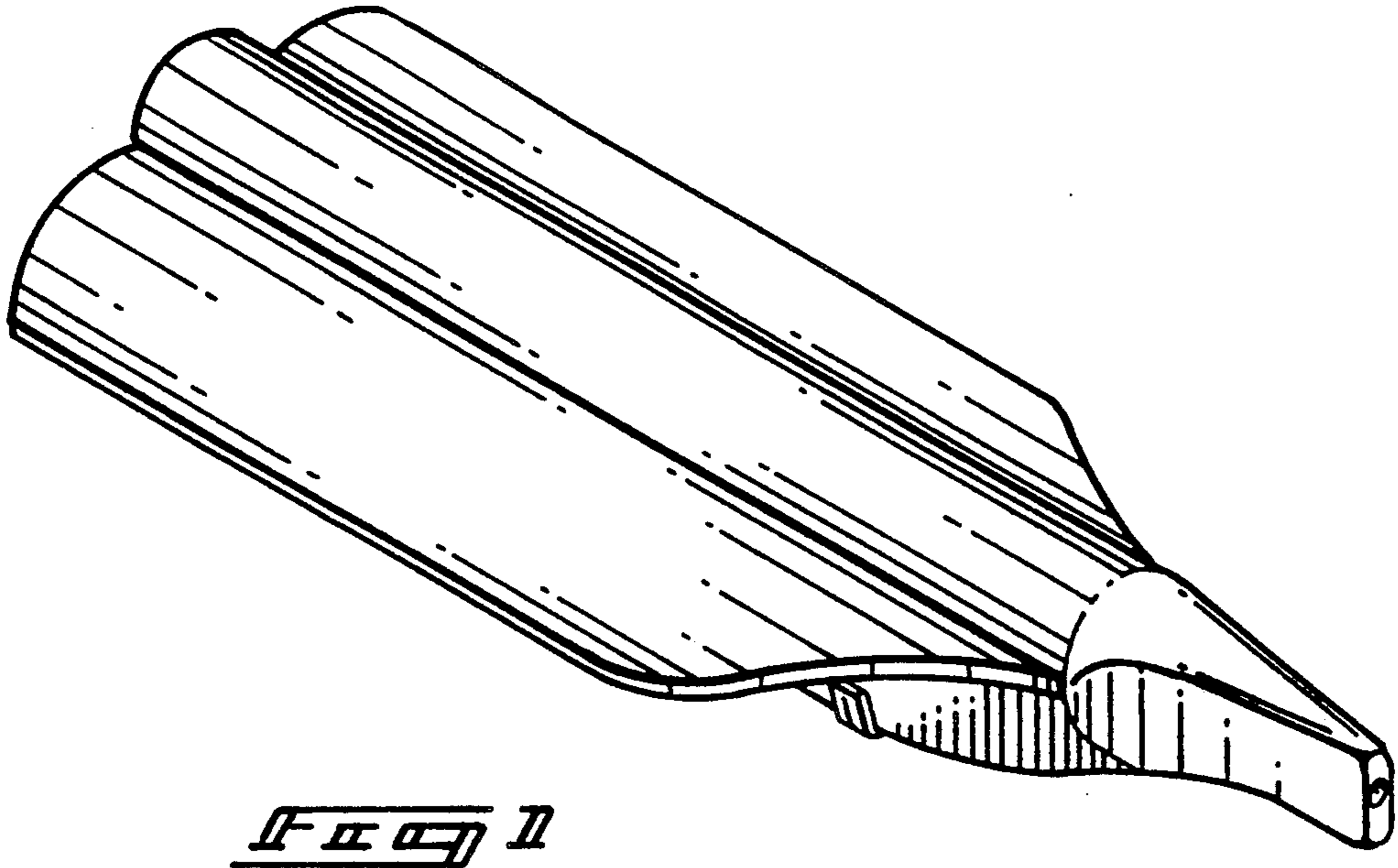


FIG 1

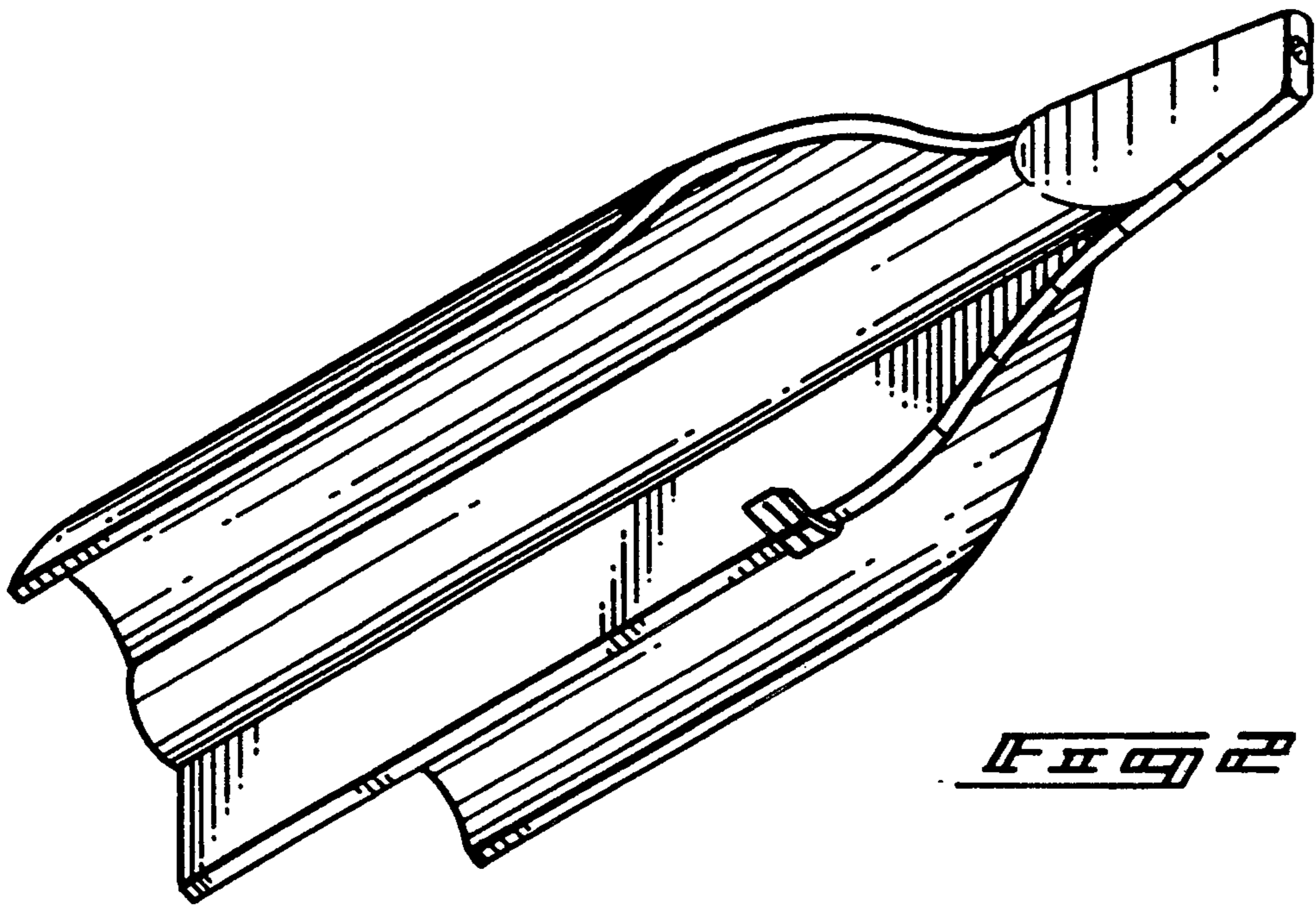


FIG 2

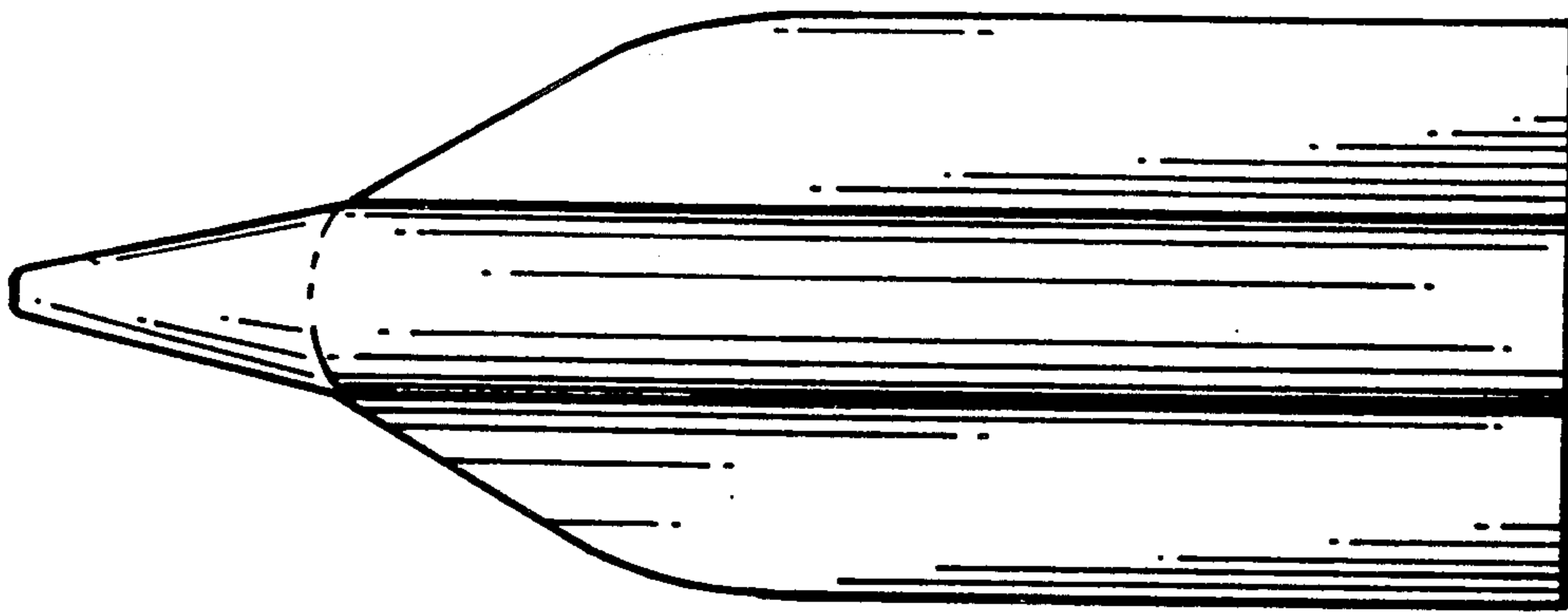


FIG. 3

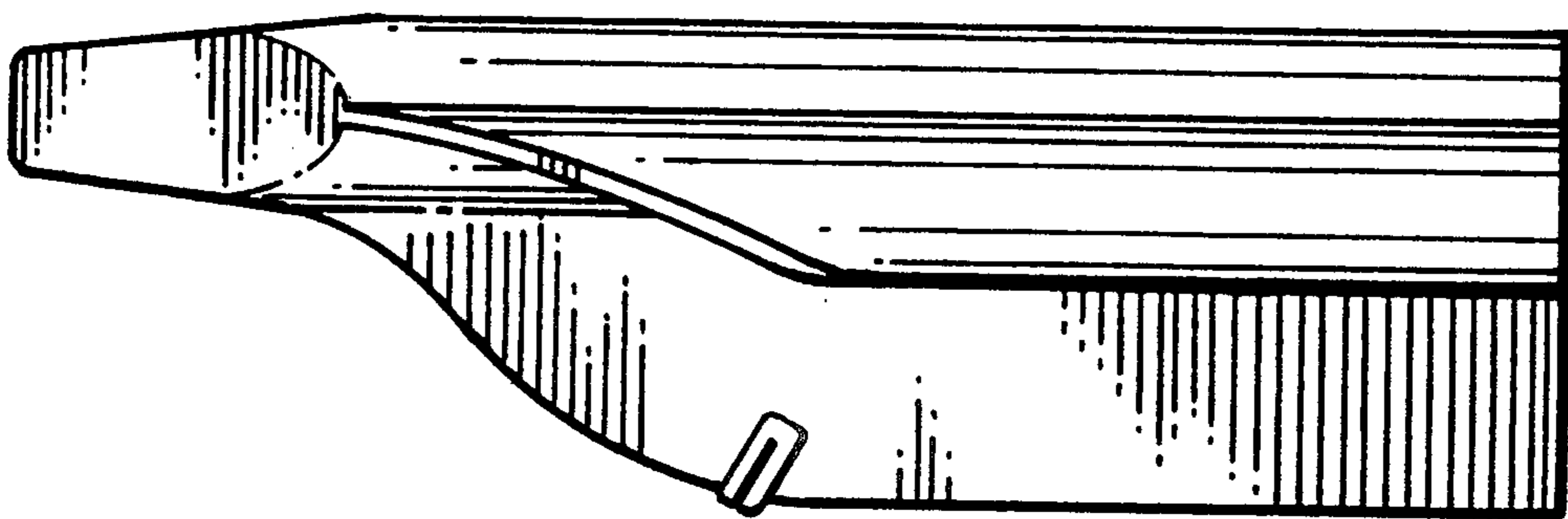


FIG. 4

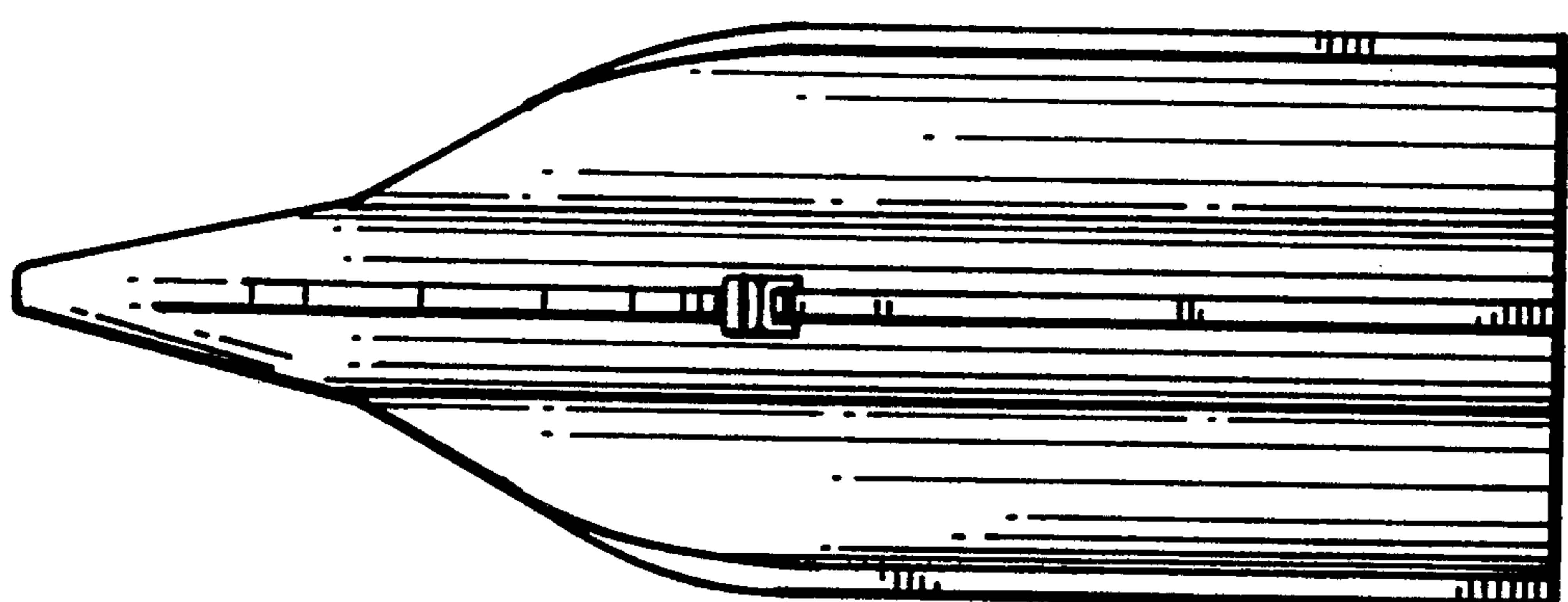


FIG. 5

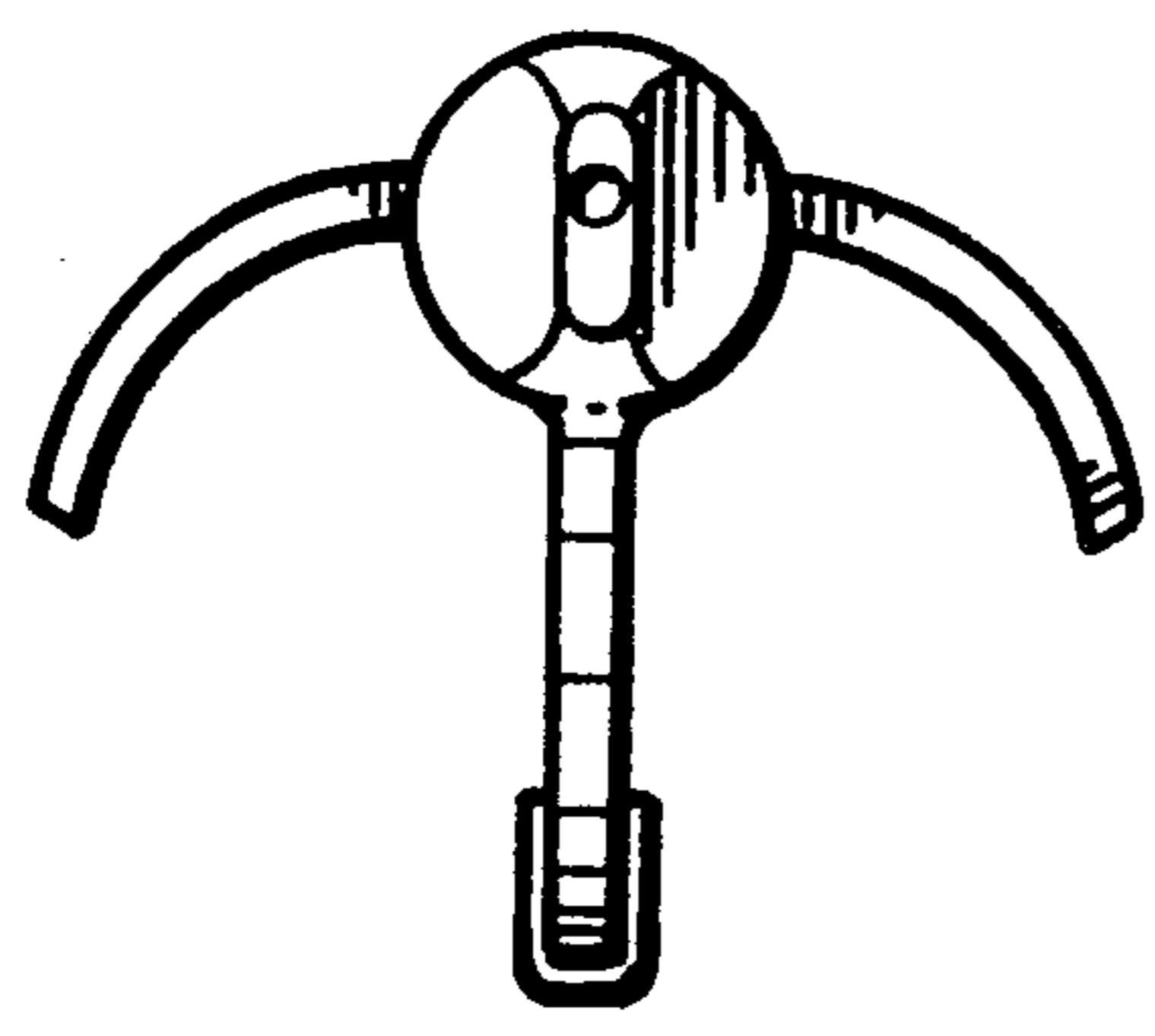


FIG. 6

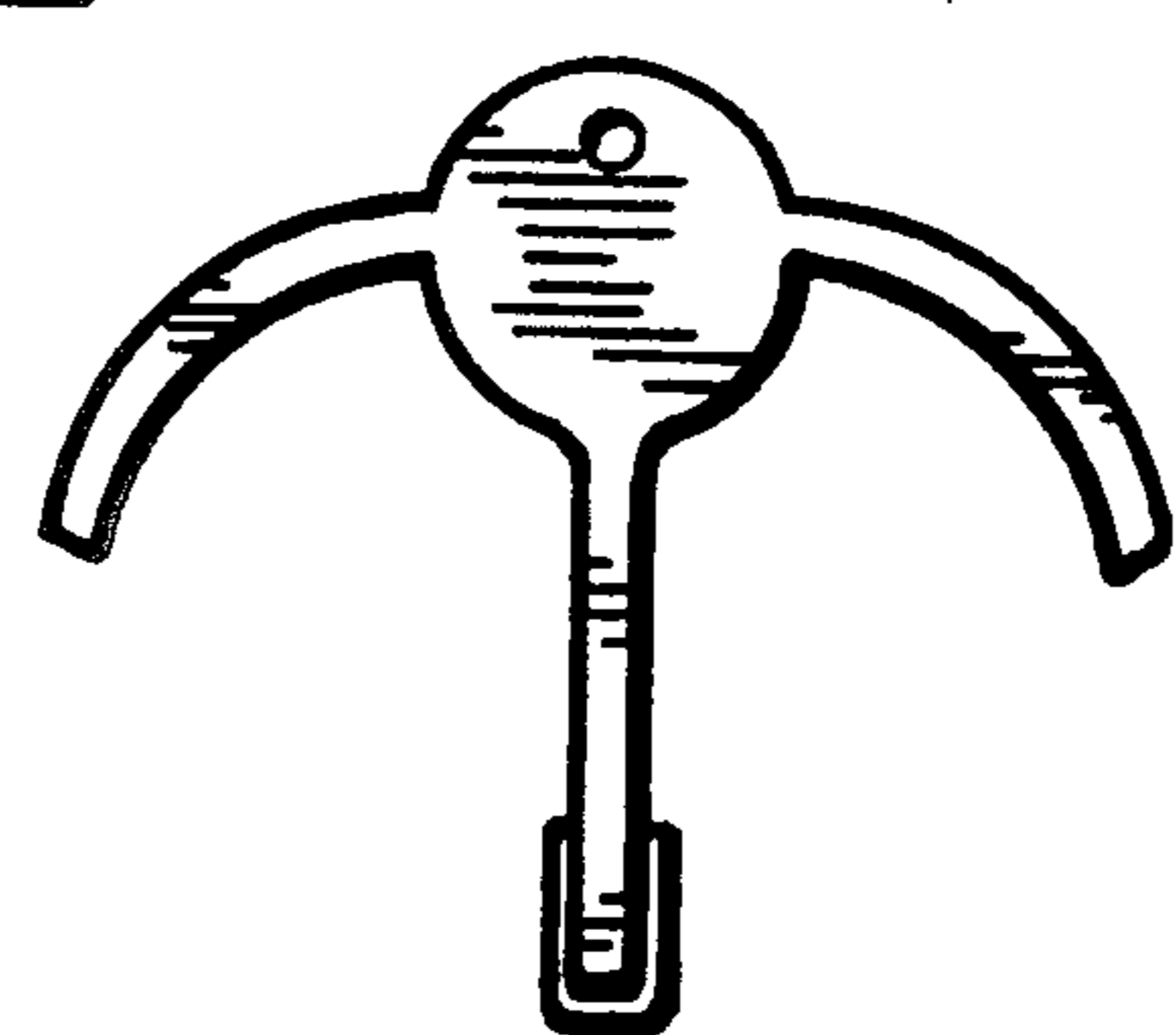


FIG. 7