



US00D330751S

# United States Patent [19]

[11] Patent Number: **Des. 330,751**

Drew

[45] Date of Patent: **\*\* Nov. 3, 1992**

[54] **FISHING LURE ATTACHMENT**

2,749,651 6/1956 Snider ..... D22/129 X  
3,722,129 3/1973 Jensen ..... 43/42.03

[76] Inventor: **Darren L. Drew**, 1800 O'Connell, St. Louis, Mo. 63114

*Primary Examiner*—A. Hugo Word  
*Assistant Examiner*—Doris V. Coles  
*Attorney, Agent, or Firm*—Richard C. Litman

[\*\*] Term: **14 Years**

[21] Appl. No.: **604,436**

[57] **CLAIM**

[22] Filed: **Oct. 22, 1990**

The ornamental design for a fishing lure attachment, as shown and described.

[52] U.S. Cl. .... **D22/129; D22/126**

[58] Field of Search ..... **D22/126, 128, 129, 130, D22/132; 43/42.48, 43.1, 42.23, 42.11, 42.17, 42.28, 42.24, 42.16, 42.51, 42.49, 42.03**

**DESCRIPTION**

[56] **References Cited**

**U.S. PATENT DOCUMENTS**

- D. 162,776 4/1951 Bekkala ..... D22/129
- D. 211,468 6/1968 Serafin ..... D22/129
- D. 243,086 1/1977 Nothdurft ..... D22/129
- 1,464,041 8/1923 Holcomb ..... D22/129 X
- 2,538,703 1/1951 Perry ..... D22/129

FIG. 1 is a top plan view of a fishing lure attachment showing my new design; the broken lines showing of a lure is for illustrative purposes only and form no part of the claimed design;

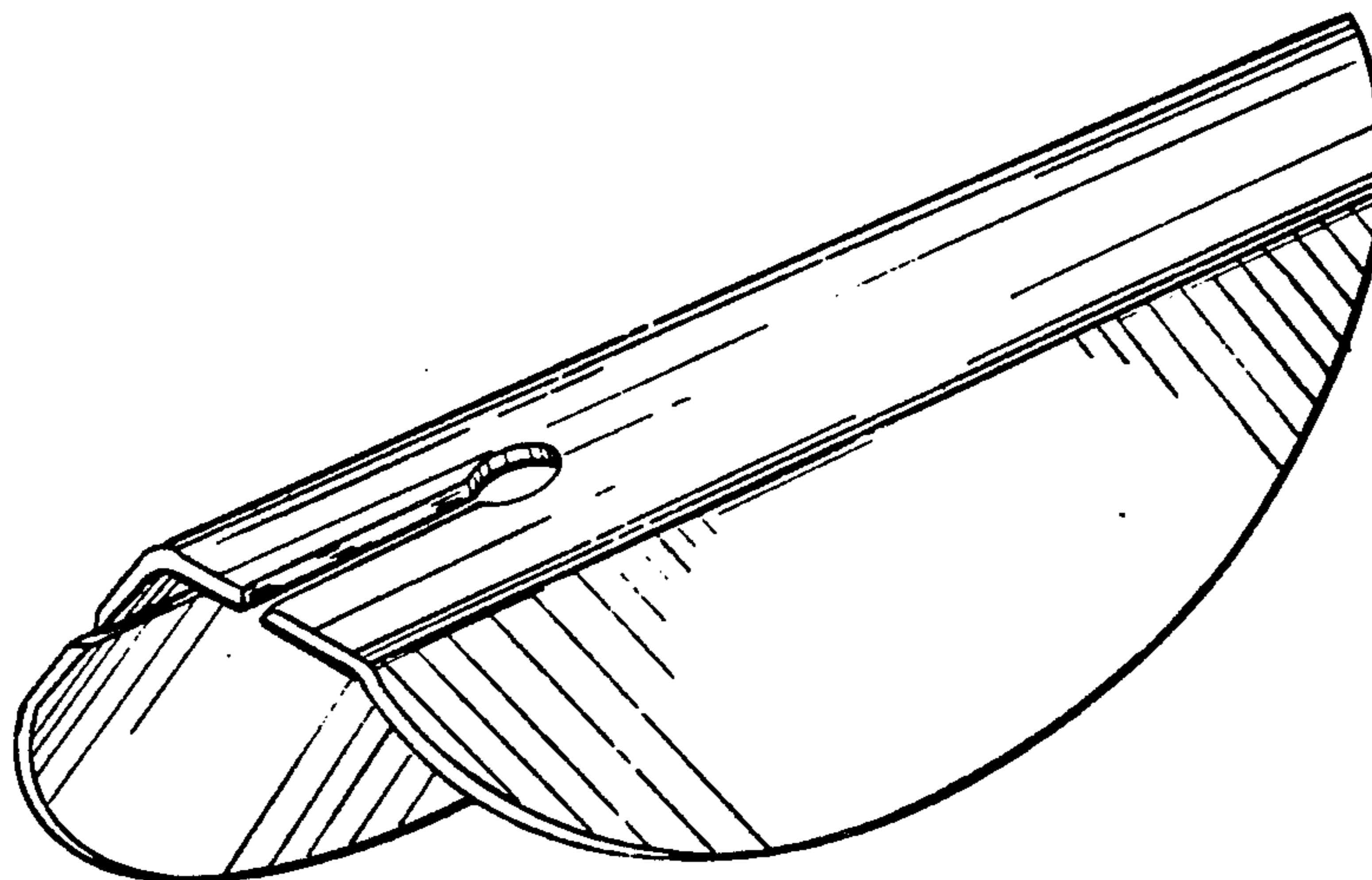
FIG. 2 is a front, top and right side perspective view thereof;

FIG. 3 is a top plan view thereof;

FIG. 4 is a bottom plan view thereof;

FIG. 5 is a front elevational view thereof; and,

FIG. 6 is a rear elevational view thereof.



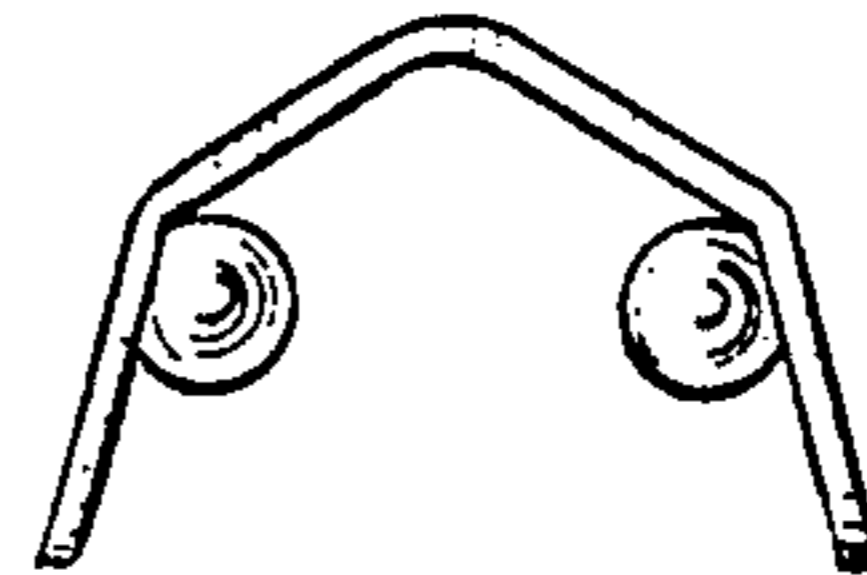
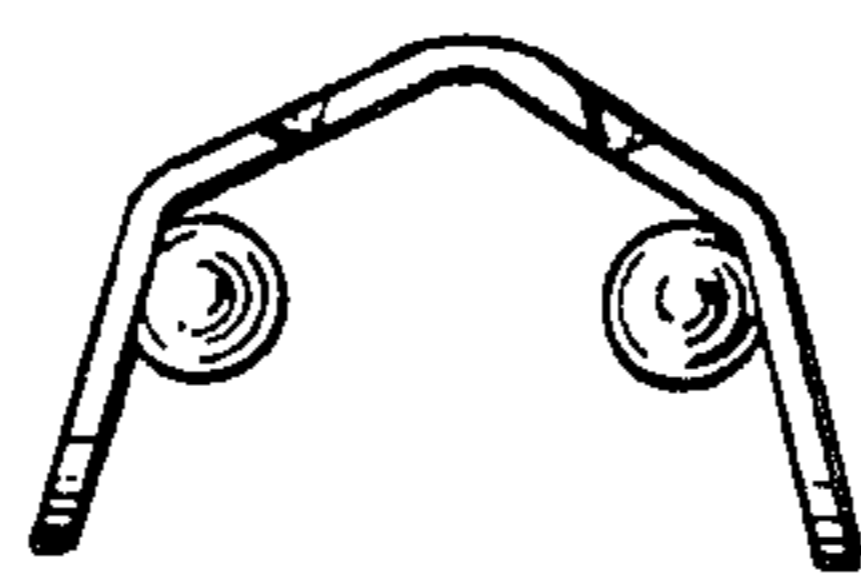
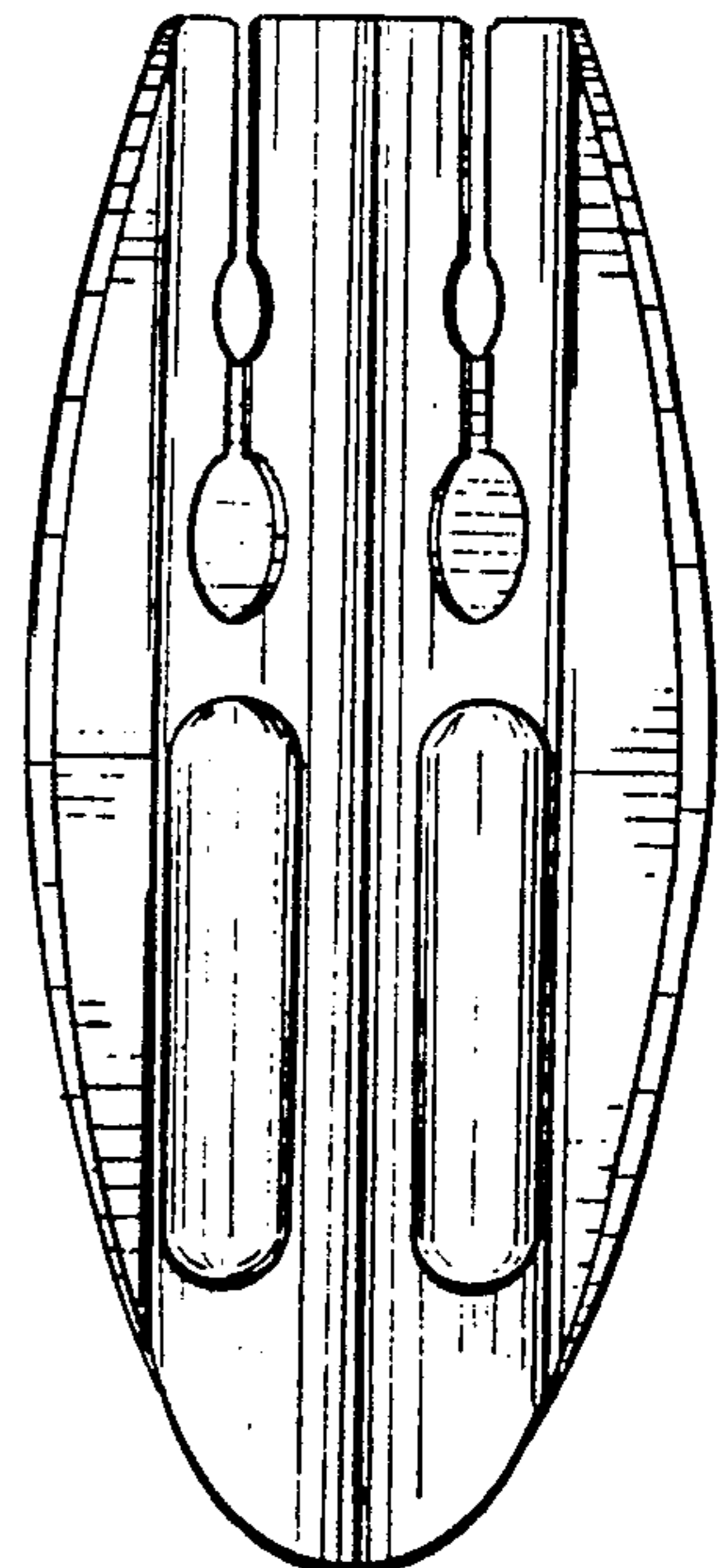
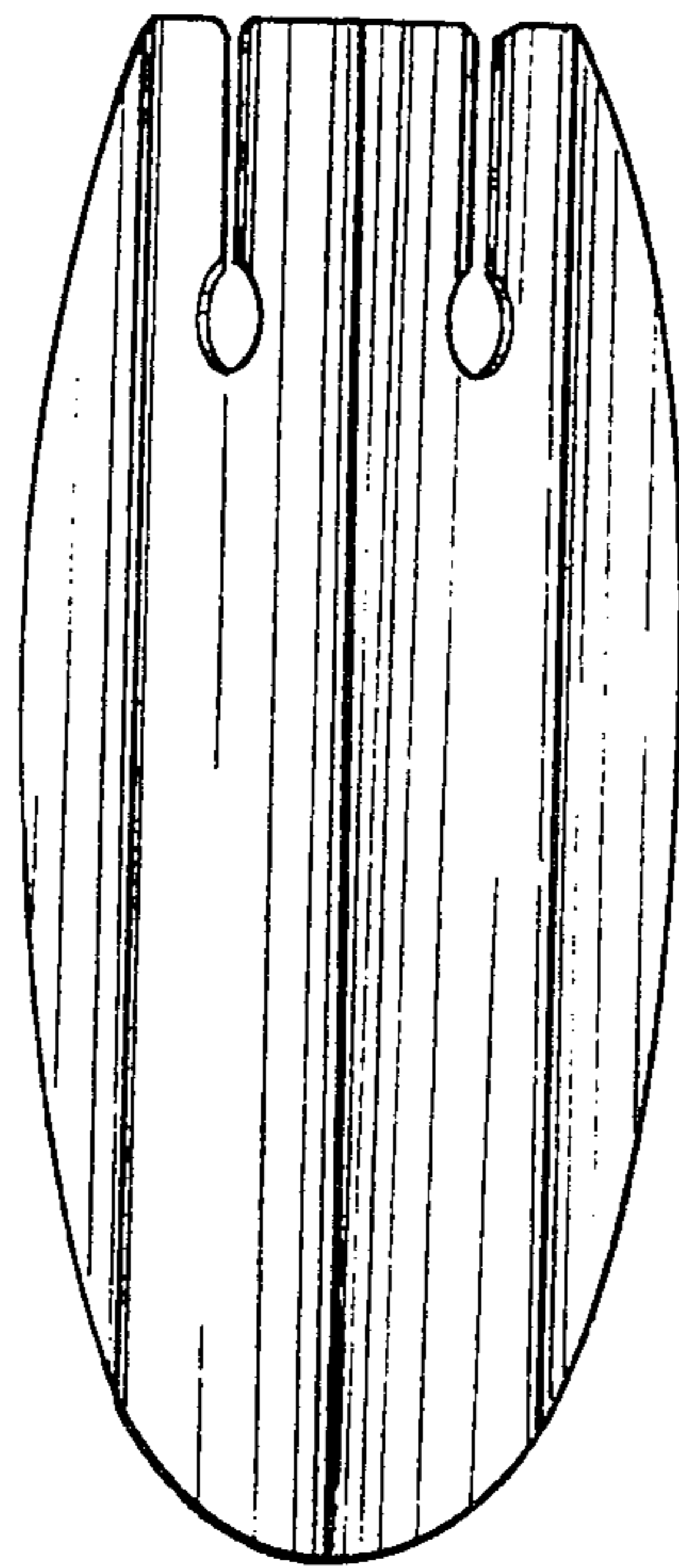
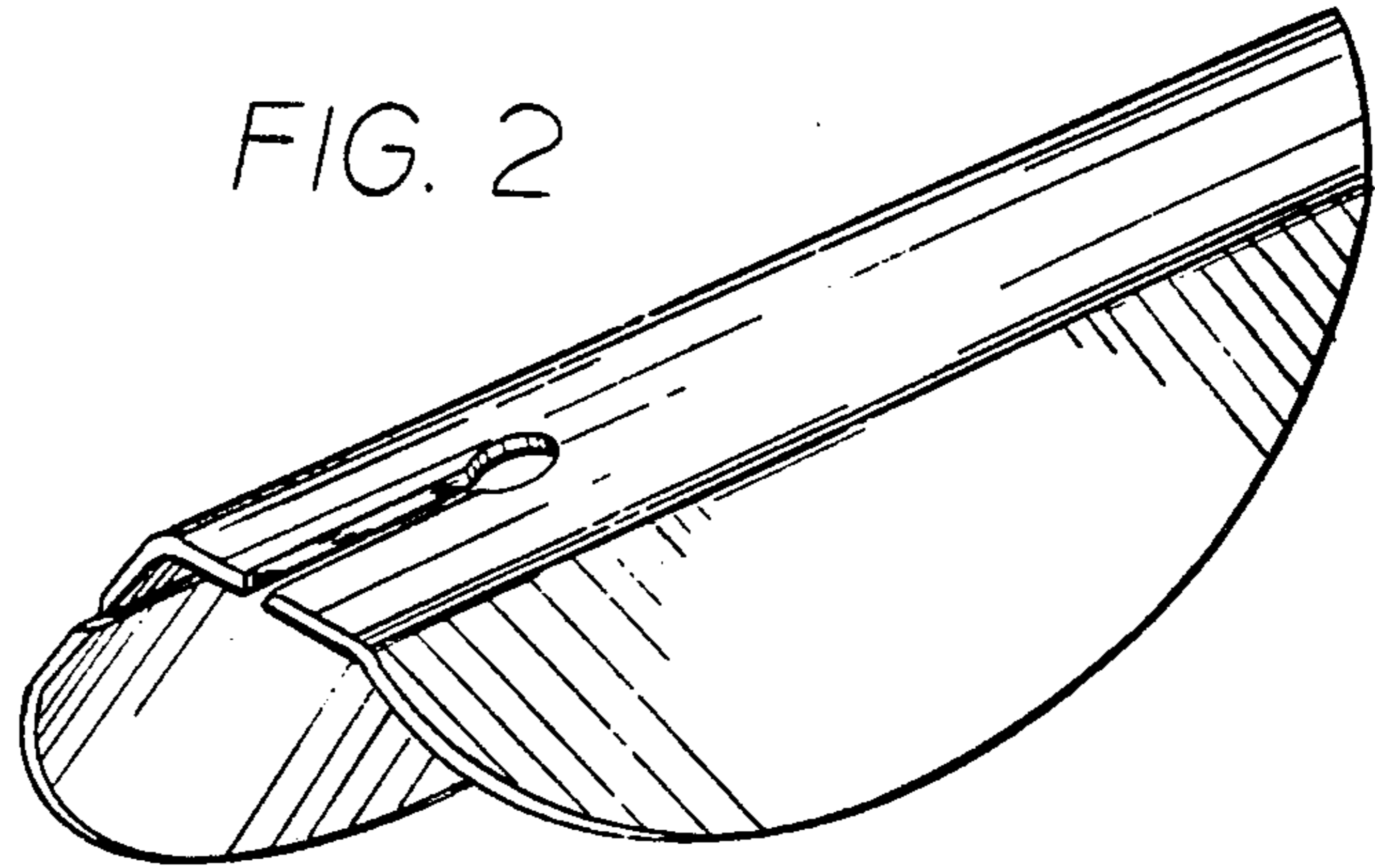
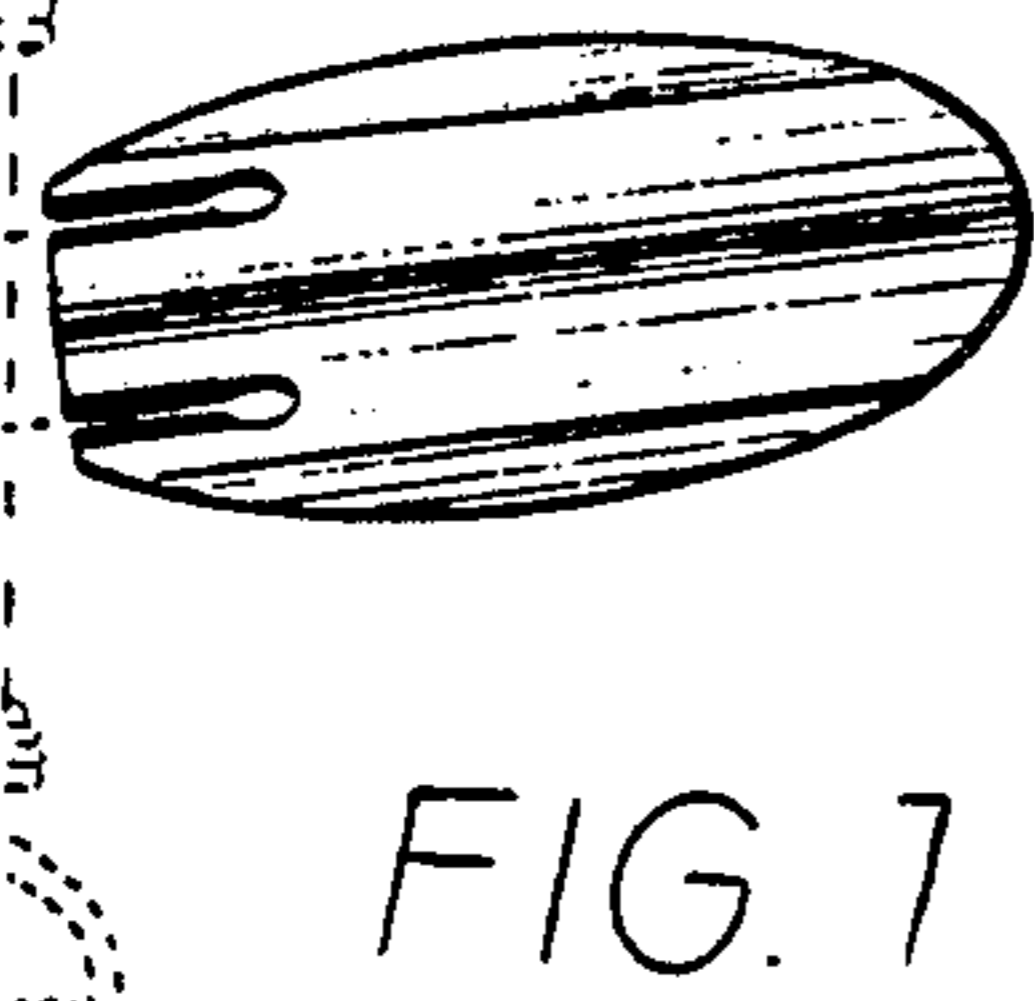
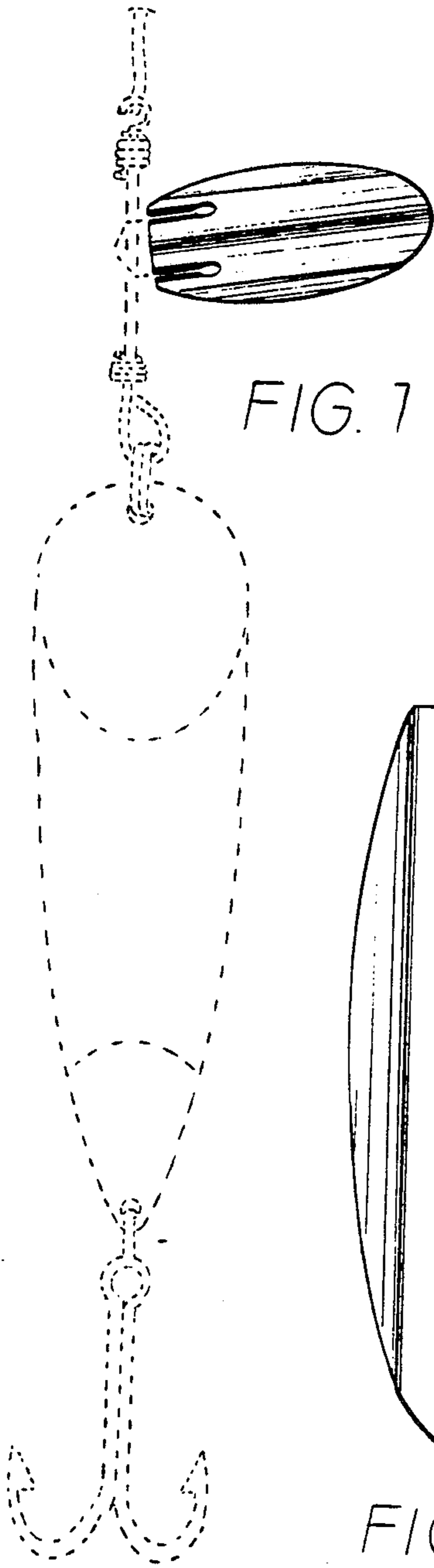


FIG. 5

FIG. 6