



US00D330749S

United States Patent [19]

[11] Patent Number: **Des. 330,749**

Aigner

[45] Date of Patent: *** Nov. 3, 1992**

[54] PISTOL

[75] Inventor: **Friedrich Aigner, St. Valentin, Austria**

[73] Assignee: **Steyr-Daimler-Puch AG, Vienna, Austria**

[*] Notice: The portion of the term of this patent subsequent to Jul. 21, 2006 has been disclaimed.

[**] Term: **14 Years**

[21] Appl. No.: **368,525**

[22] Filed: **Jun. 20, 1989**

[30] Foreign Application Priority Data

Dec. 23, 1988 [AT]	Austria	547.877
[52] U.S. Cl.		D22/104
[58] Field of Search	D22/104; 42/72, 75.02, 42/106; 89/195, 33.1, 125, 161, 189	

[56] References Cited

U.S. PATENT DOCUMENTS

2,324,125	7/1943	Van Horn et al.	42/72 X
3,630,119	12/1971	Perrine	42/75.02 X
3,763,587	10/1973	Firmalino	42/106
4,501,081	2/1985	Izumi	42/106
4,640,036	2/1987	Gal	42/72

OTHER PUBLICATIONS

Guns & Ammo, Aug. 1979, p. 57, Gun, Item A in middle of page.

Guns & Ammo Aug. 1979, p. 60, Gun, Item A near bottom of page.

Gun World, Jan. 1984, p. 20, Circled Item at bottom of page.

Guns & Ammo, Aug. 1979, p. 63, Gun, Item A at top of page.

Primary Examiner—Wallace R. Burke

Assistant Examiner—H. Baynham

Attorney, Agent, or Firm—Marmorek, Guttman, & Rubenstein

[57] CLAIM

The ornamental design for a pistol, as shown and described.

DESCRIPTION

FIG. 1 is a left side elevational view of a pistol showing my new design;

FIG. 2 is a right side elevational view thereof;

FIG. 3 is a top plan view thereof;

FIG. 4 is a front elevational view thereof;

FIG. 5 is a rear elevational view thereof;

FIG. 6 is a top, front perspective view thereof; and,

FIG. 7 is a bottom perspective view thereof.

The broken lines showing a semi-automatic magazine are for illustrative purposes only and form no part of the claimed design.

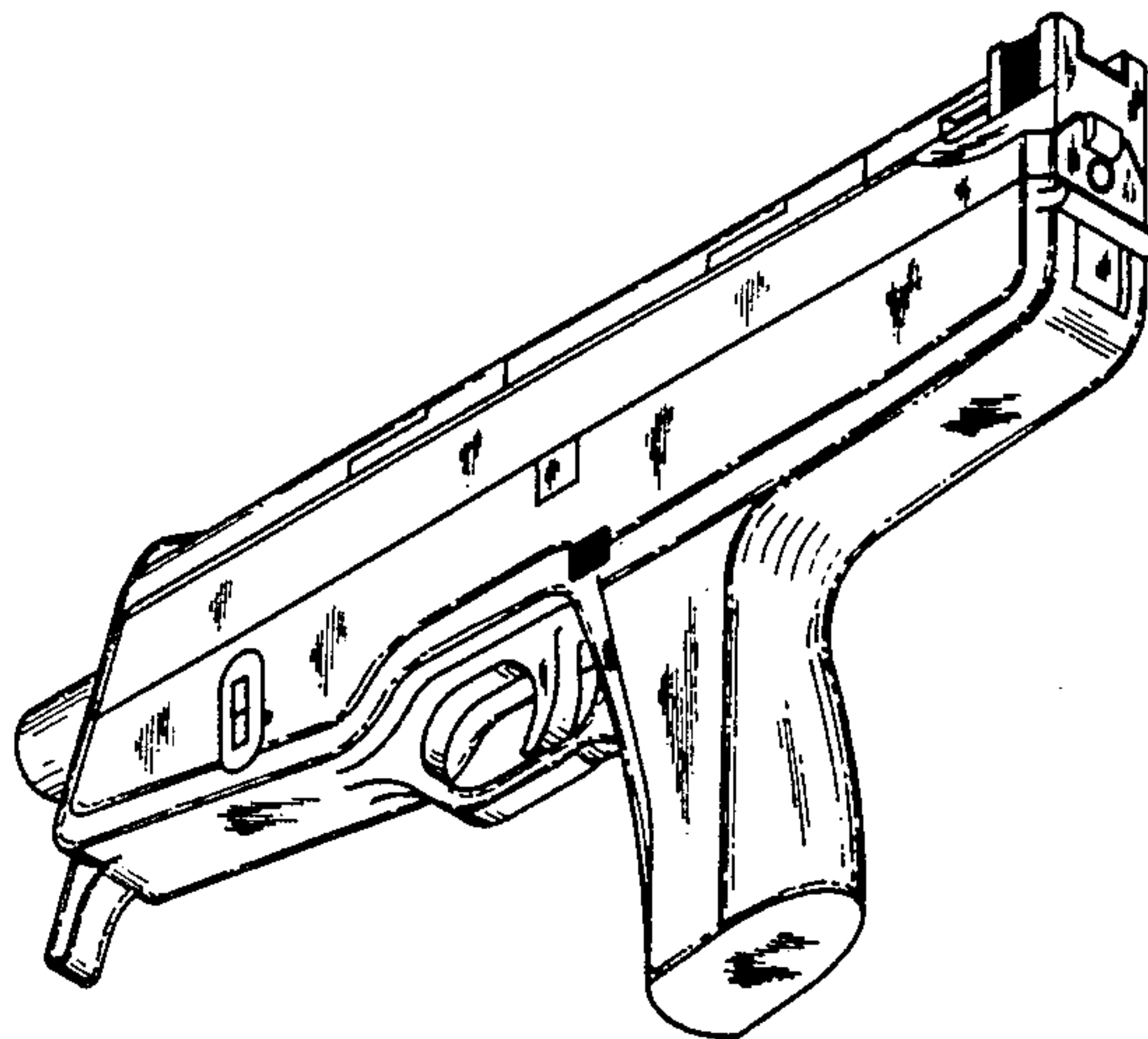
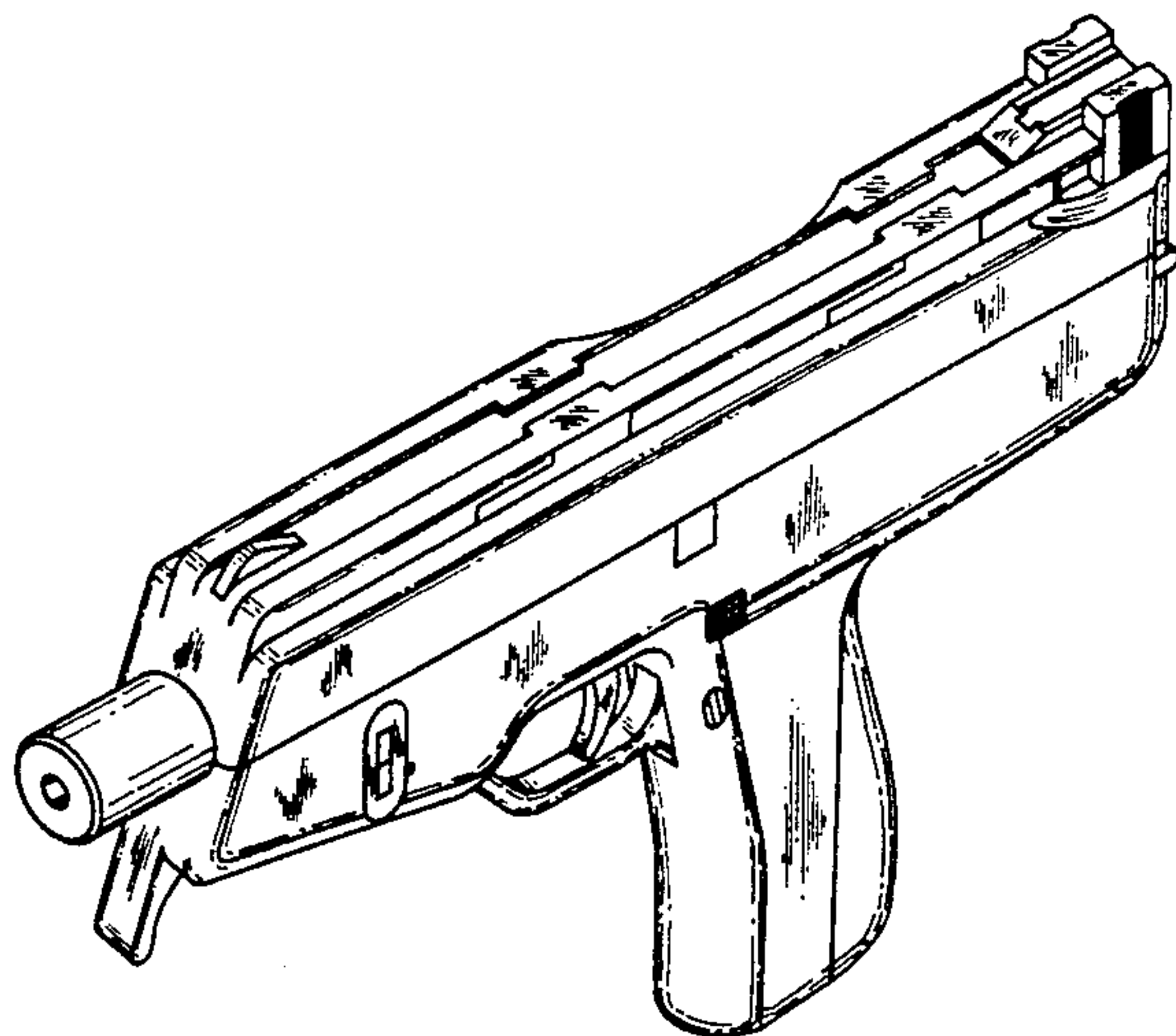


FIG. 1

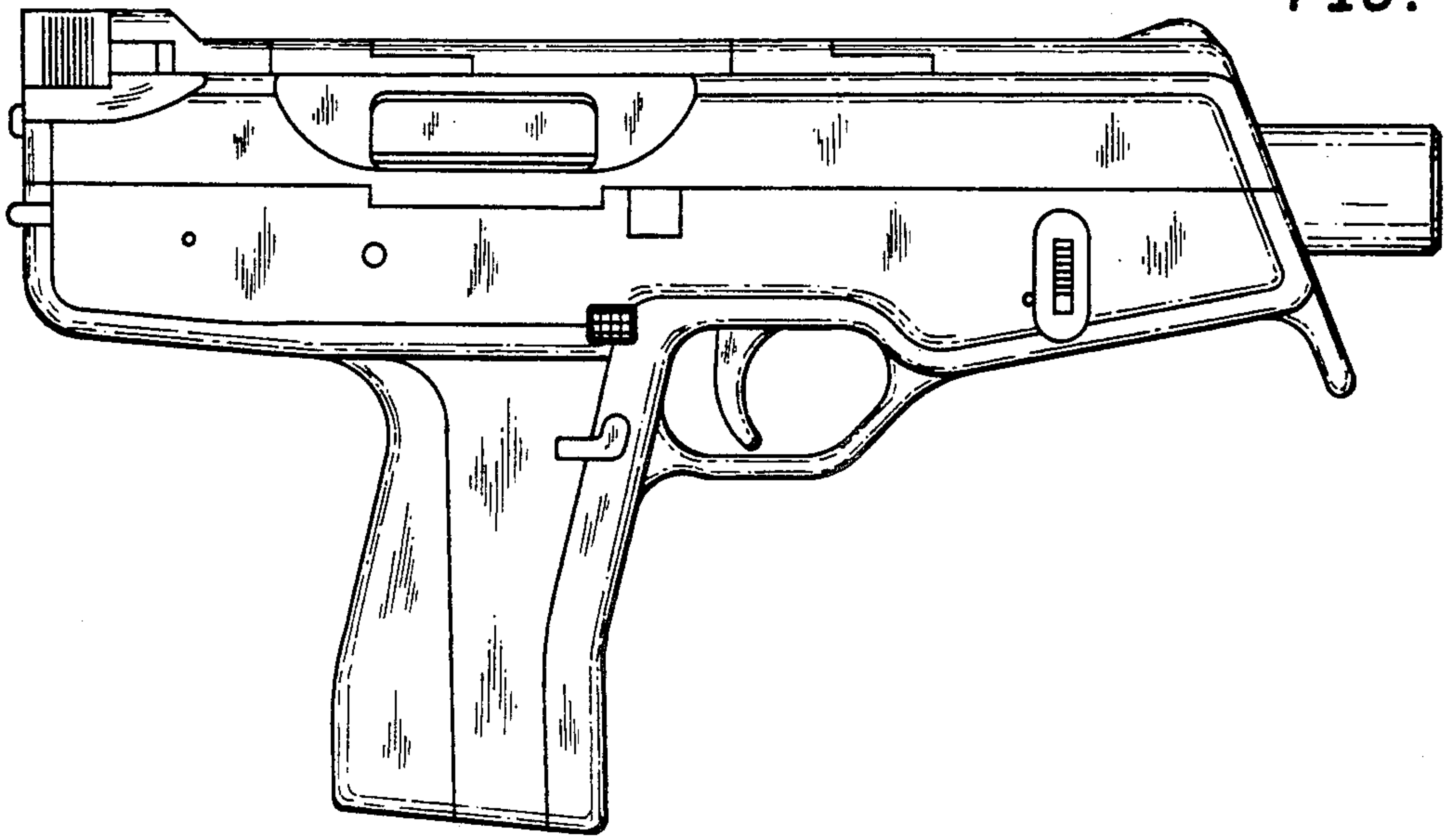


FIG. 2

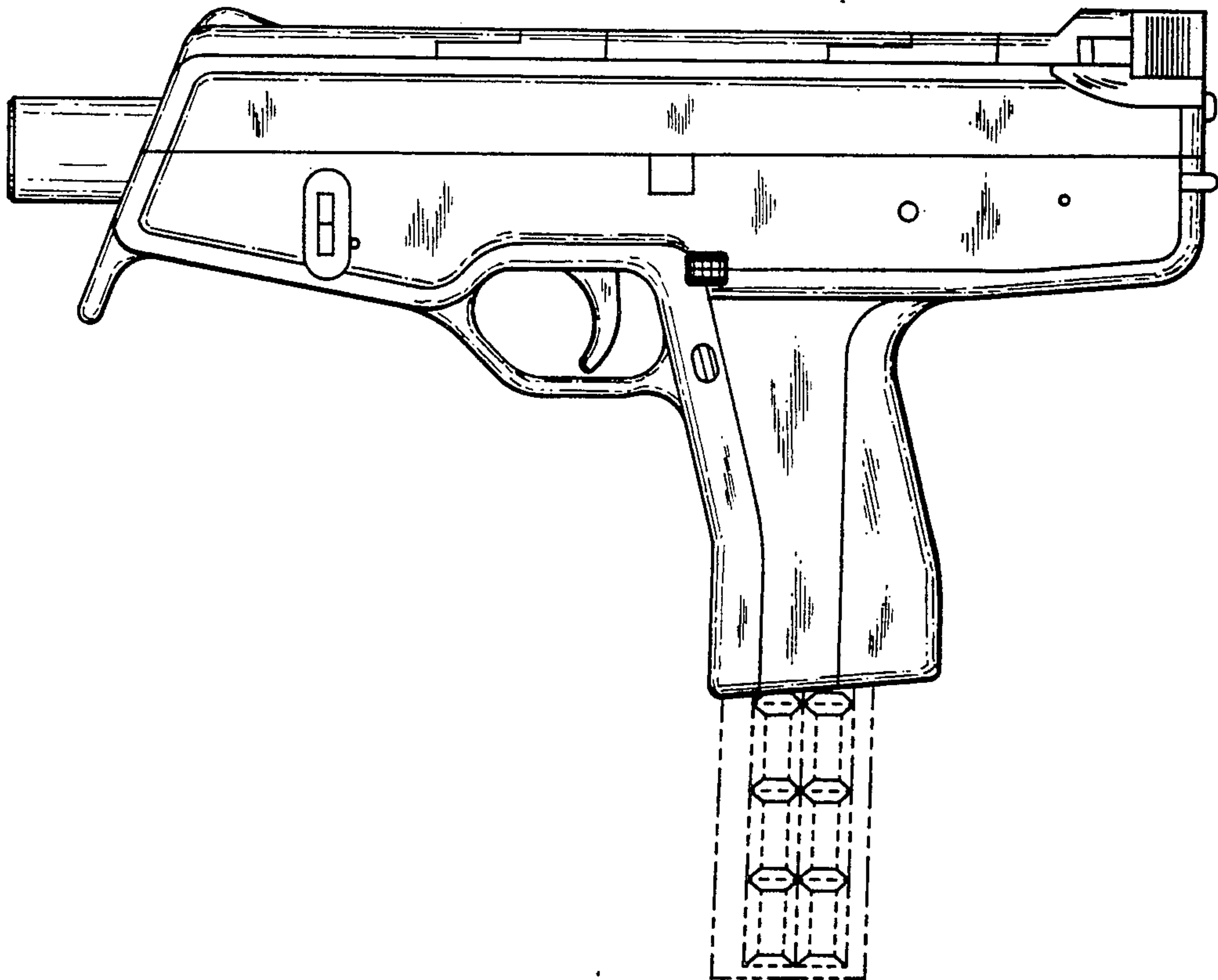


FIG. 3

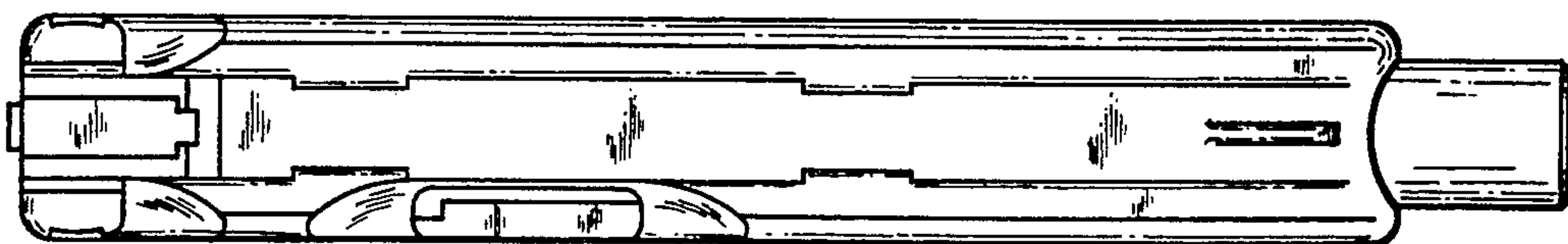


FIG. 4

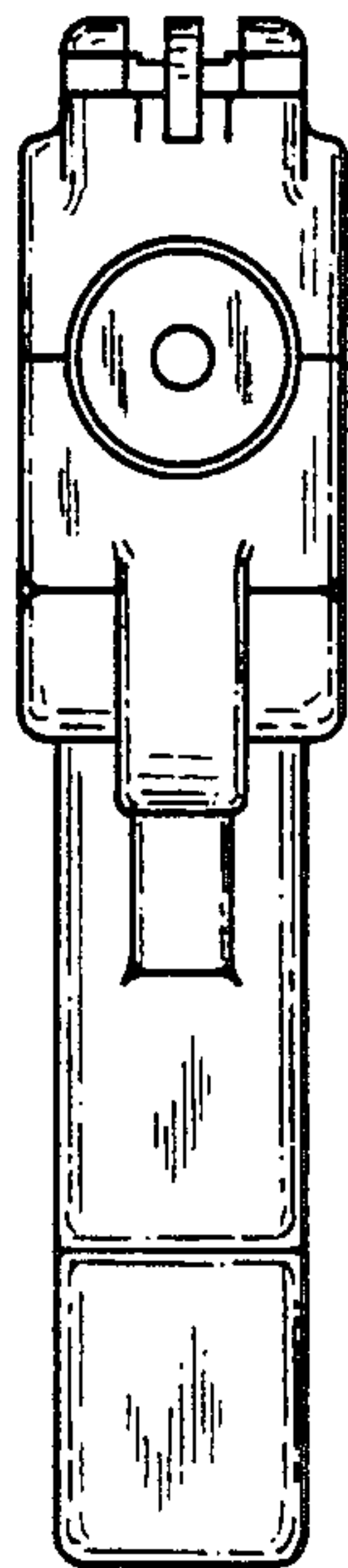


FIG. 5

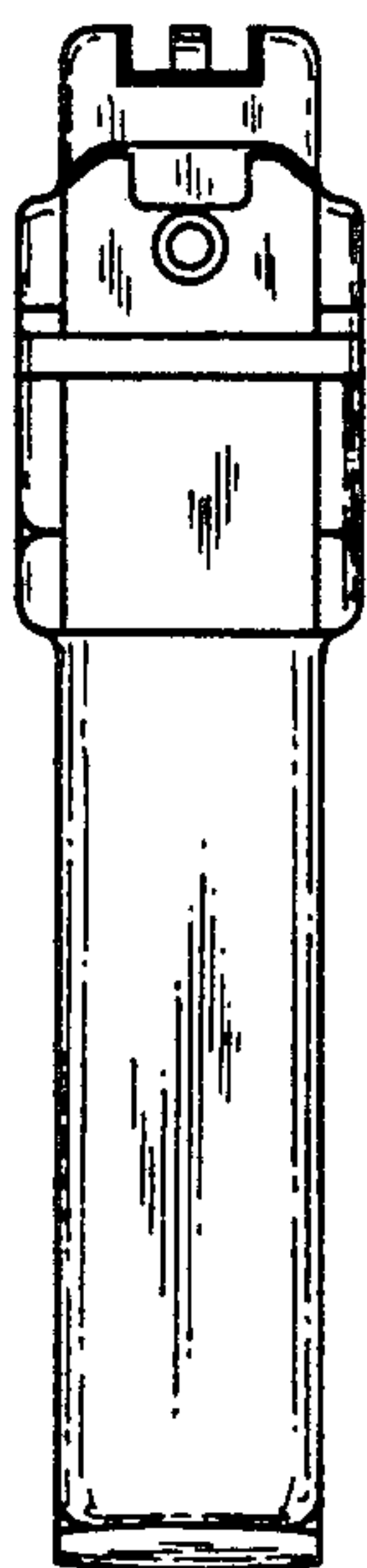


FIG. 6

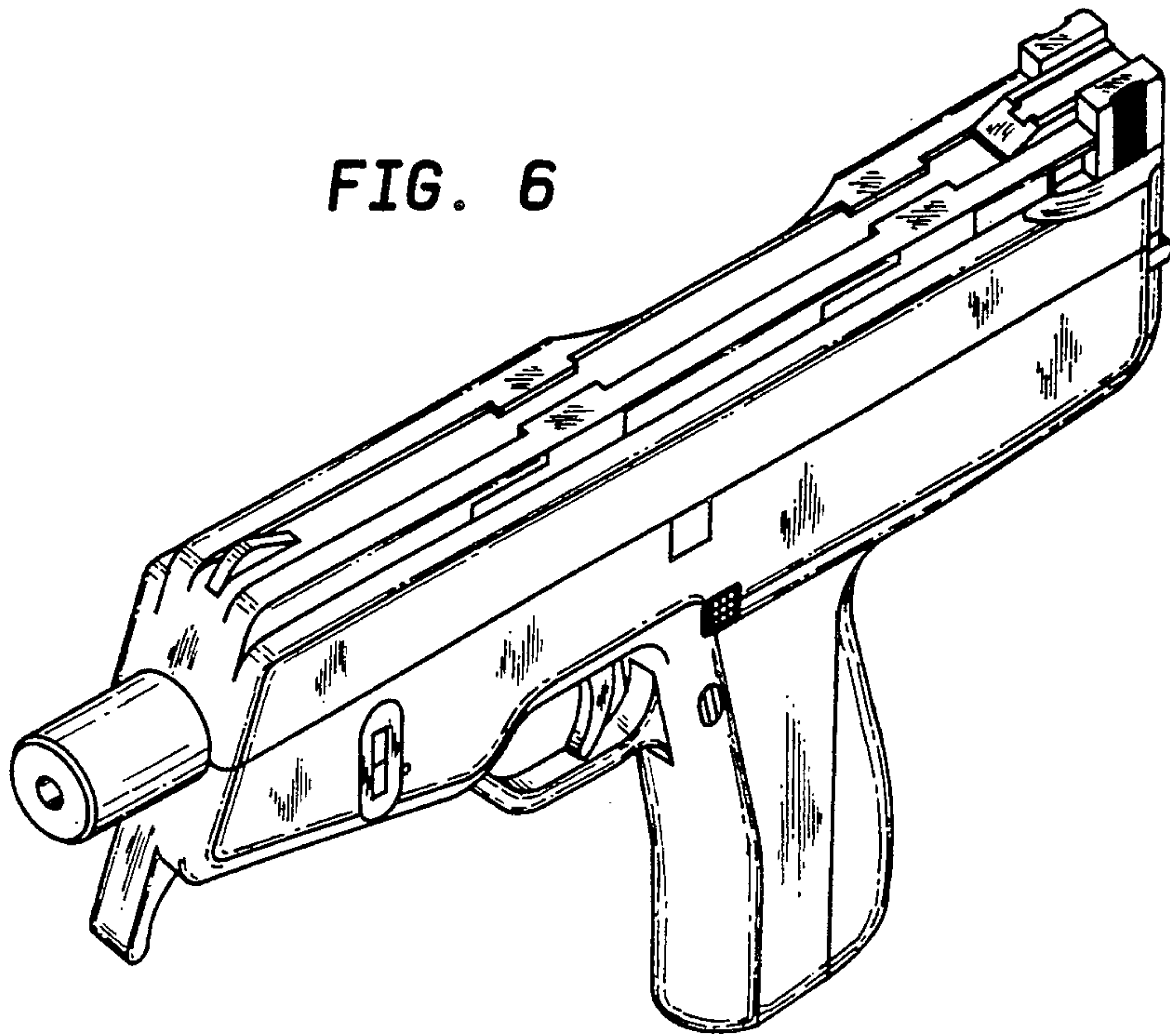


FIG. 7

