



US00D330739S

United States Patent [19]

Yang

[11] Patent Number: **Des. 330,739**

[45] Date of Patent: **** Nov. 3, 1992**

[54] **PHYSICAL EXERCISER**

3,759,514 9/1973 Cox 482/126
4,290,599 9/1981 Berger 482/126

[76] Inventor: **Hsi C. Yang**, 3 Fl., No. 9-4, Lane 143,
Sec. 1, Hsing Sheng S. Rd., Taipei,
Taiwan

Primary Examiner—Bernard Ansher
Assistant Examiner—Philip Hyder
Attorney, Agent, or Firm—Morton J. Rosenberg; David
I. Klein

[**] Term: **14 Years**

[21] Appl. No.: **605,469**

[57] **CLAIM**

[22] Filed: **Oct. 30, 1990**

The ornamental design for a physical exerciser, as
shown and described.

[52] U.S. Cl. **D21/198**

[58] Field of Search **D21/191, 198; 482/121,
482/126**

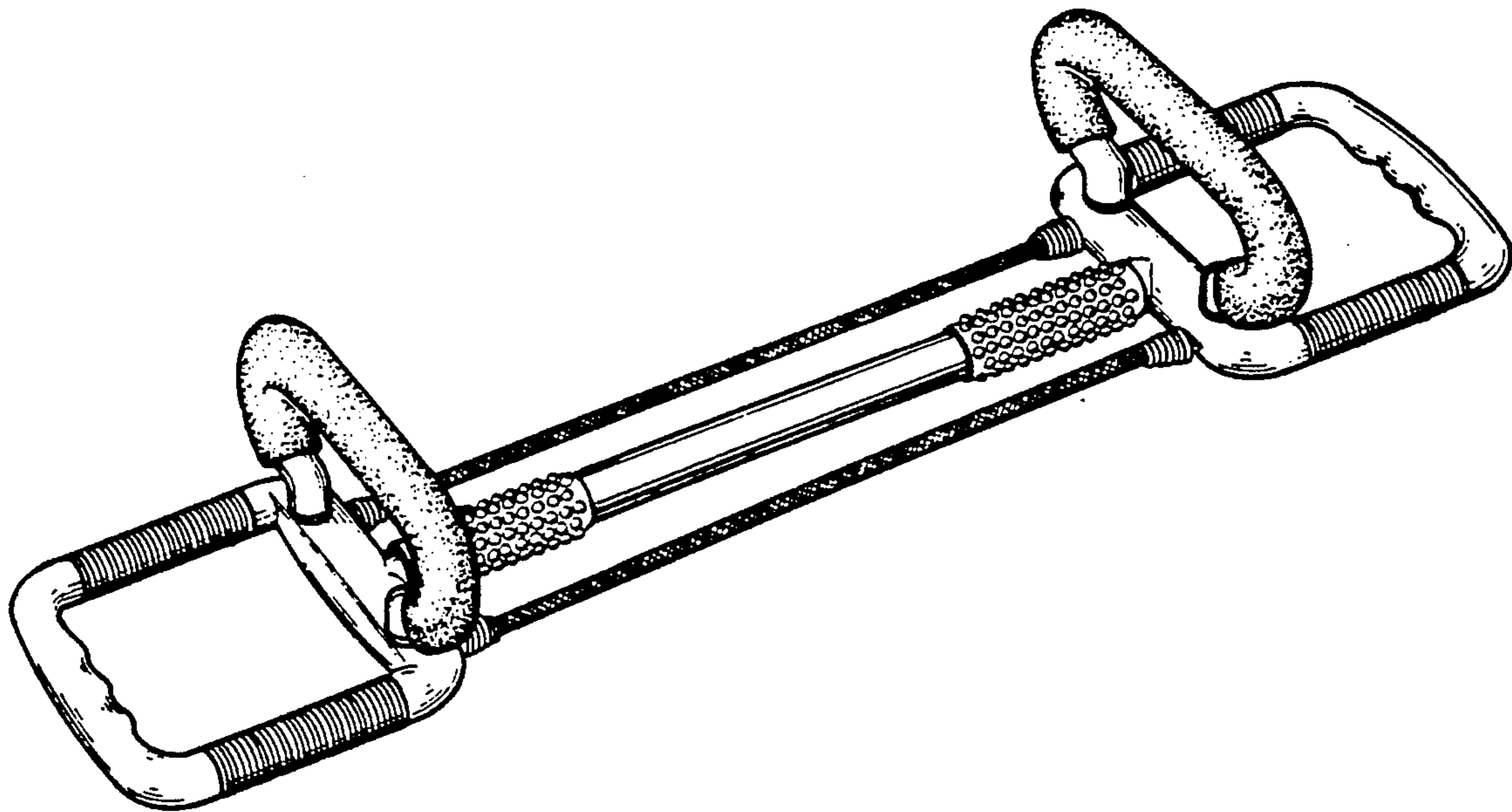
DESCRIPTION

[56] **References Cited**

U.S. PATENT DOCUMENTS

D. 243,103	1/1977	Hale	D21/198
D. 277,972	3/1985	Manzi	D21/198
D. 288,460	2/1987	Hsu	D21/198
D. 300,338	3/1989	Kunio	D21/198
D. 305,678	1/1990	Kunio	D21/198
1,832,633	11/1931	Hendrickson, Jr.	D21/198
3,536,326	10/1970	Yatrides	482/126
3,633,908	1/1972	Krauth	482/126

FIG. 1 is a perspective view of a physical exerciser showing my new design;
FIG. 2 is a front elevational view thereof, the rear being identical;
FIG. 3 is a top plan view thereof;
FIG. 4 is a bottom plan view thereof;
FIG. 5 is a right side elevational view thereof, the left side being identical;
FIG. 6 is a perspective view of a second modified embodiment thereof; and,
FIG. 7 is a perspective view of third modified embodiment thereof.



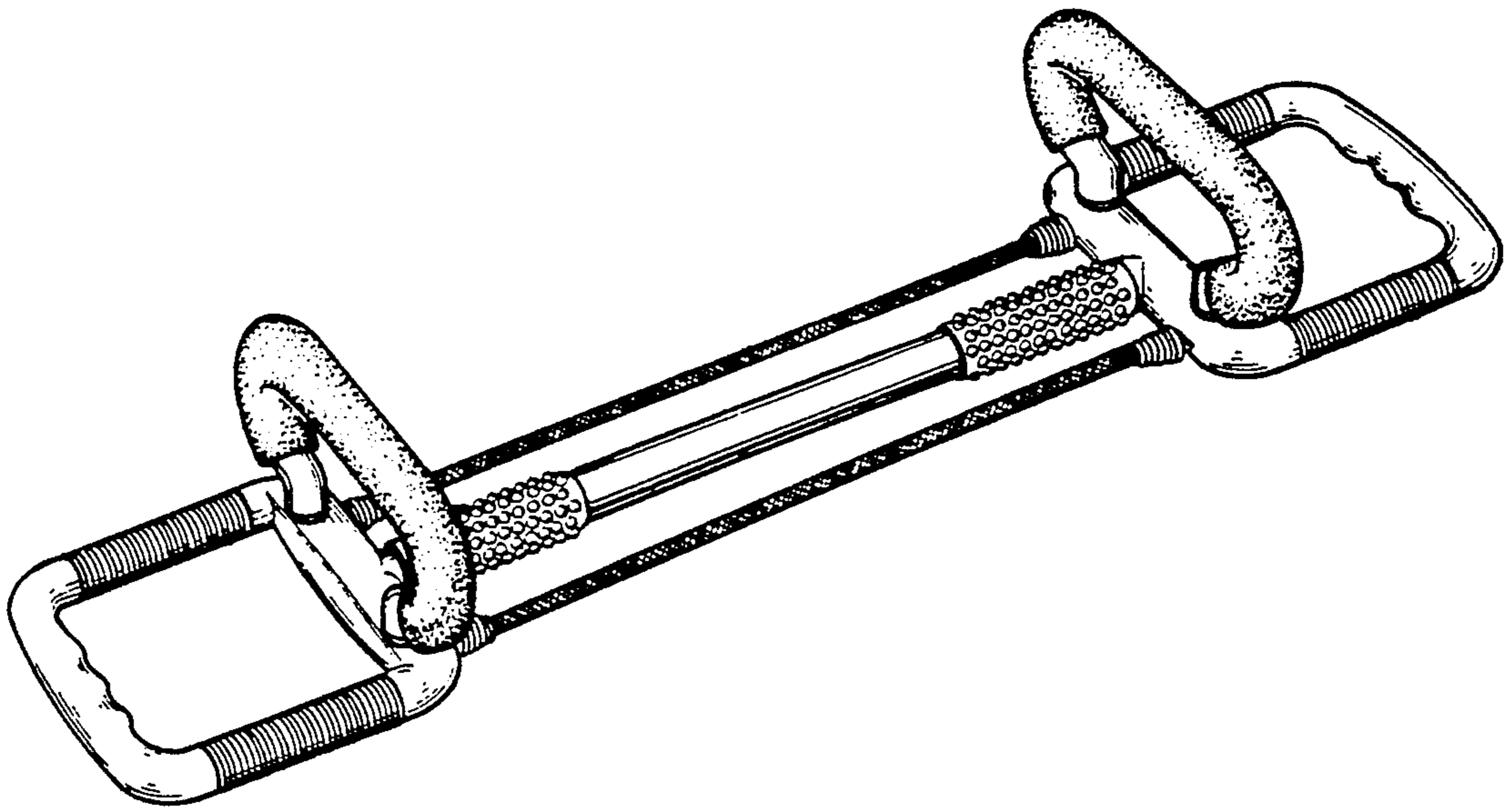


Fig. 1



Fig. 2

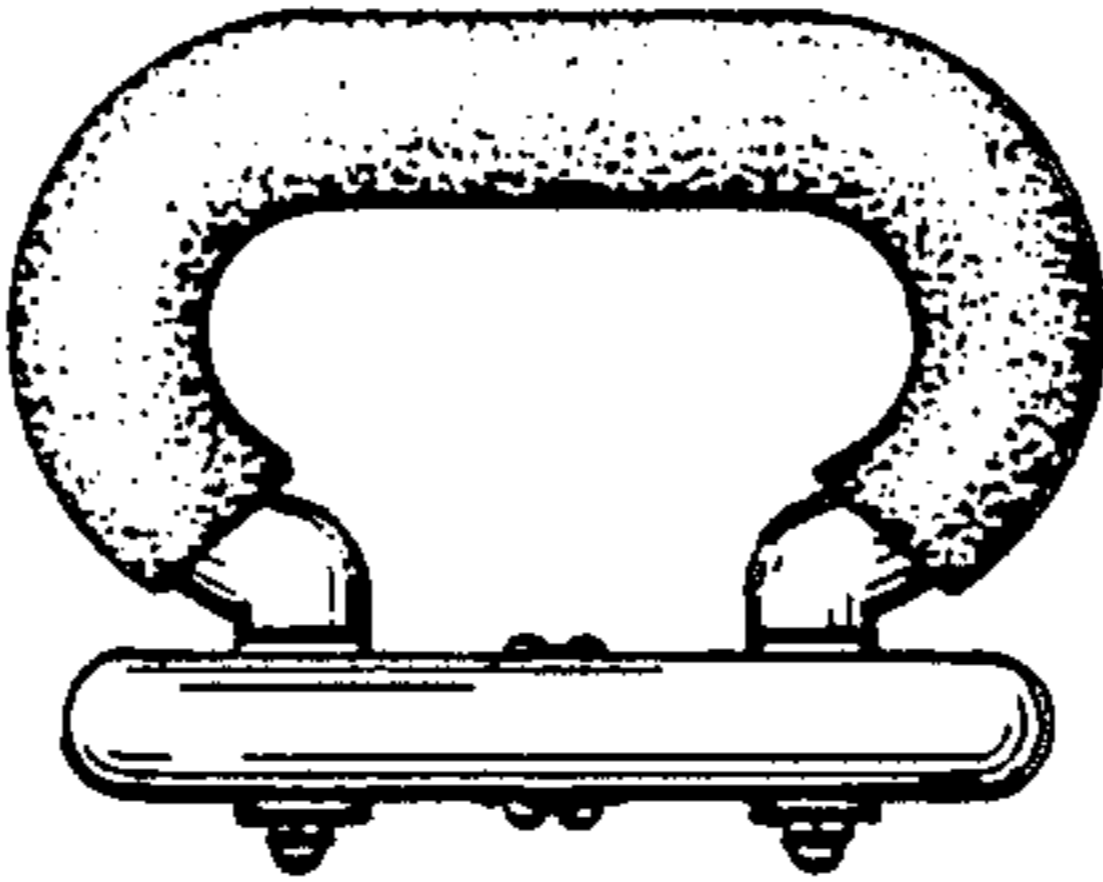


Fig. 5

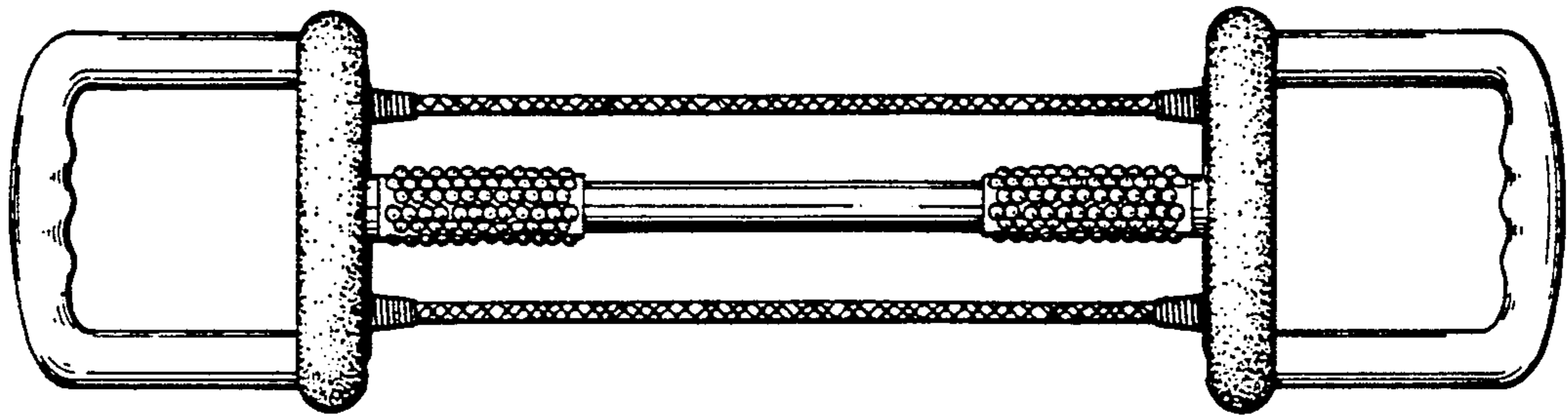


Fig. 3

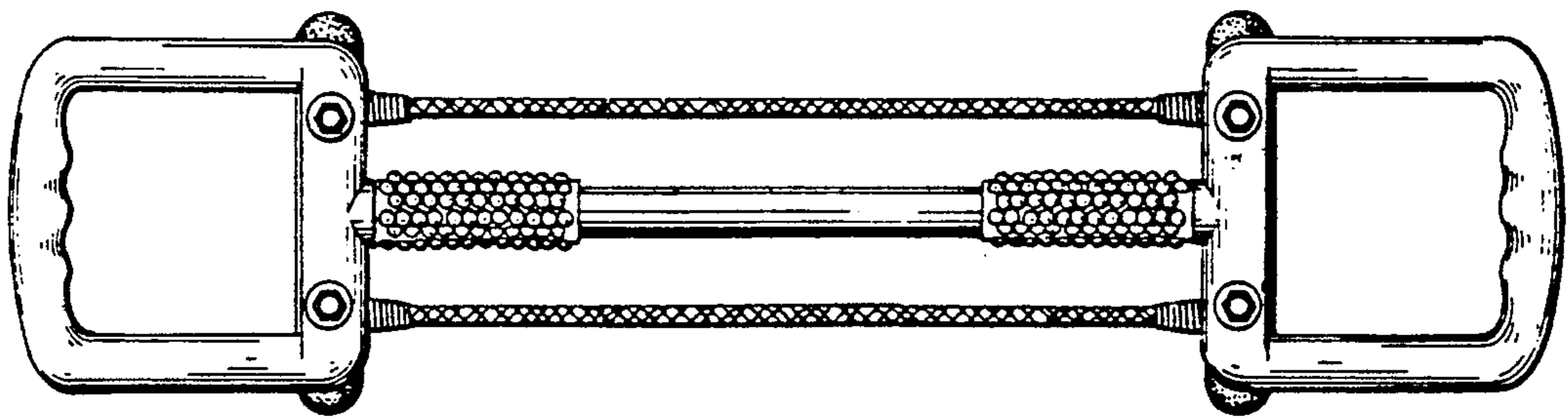


Fig. 4

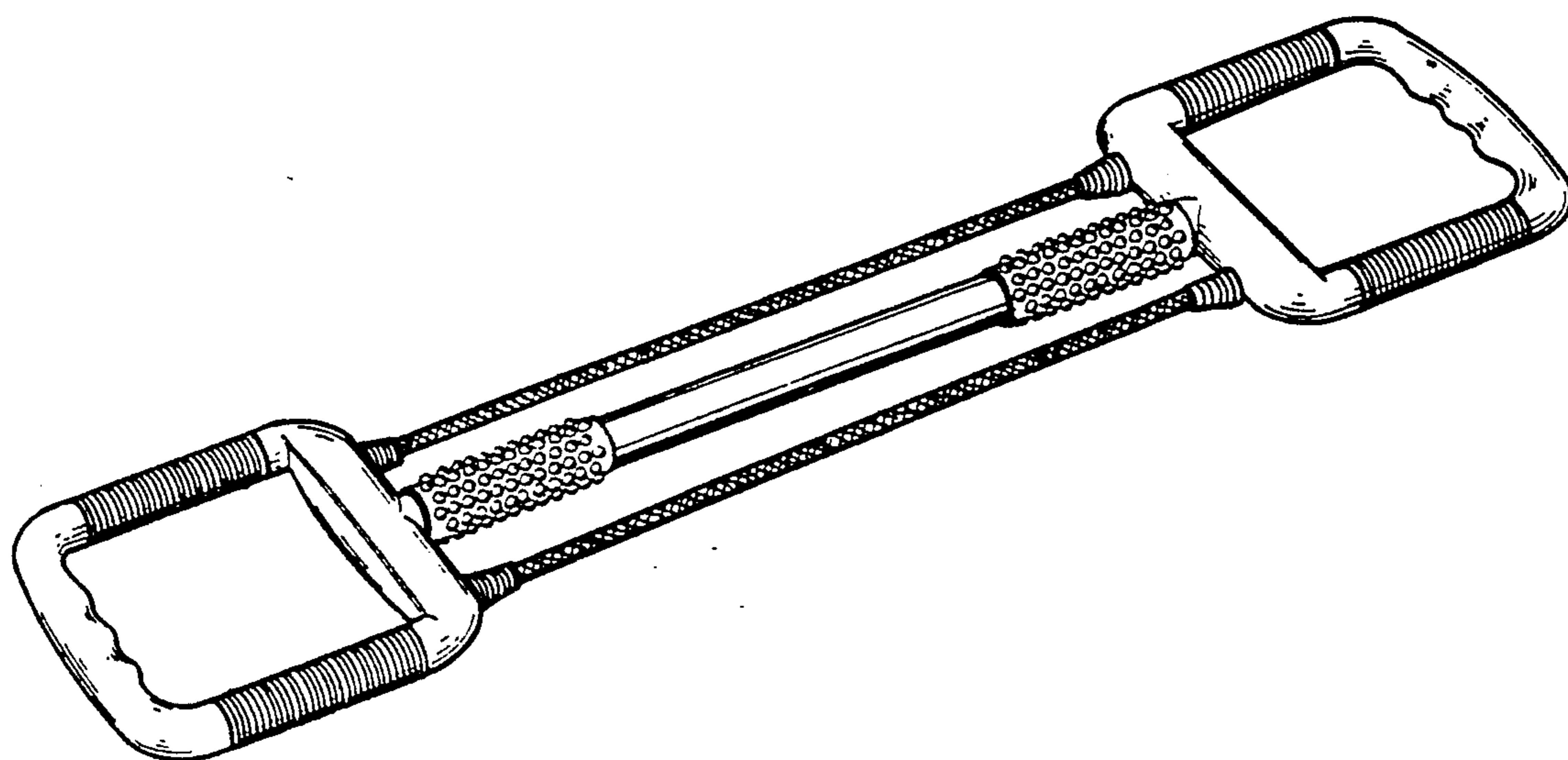


Fig. 6

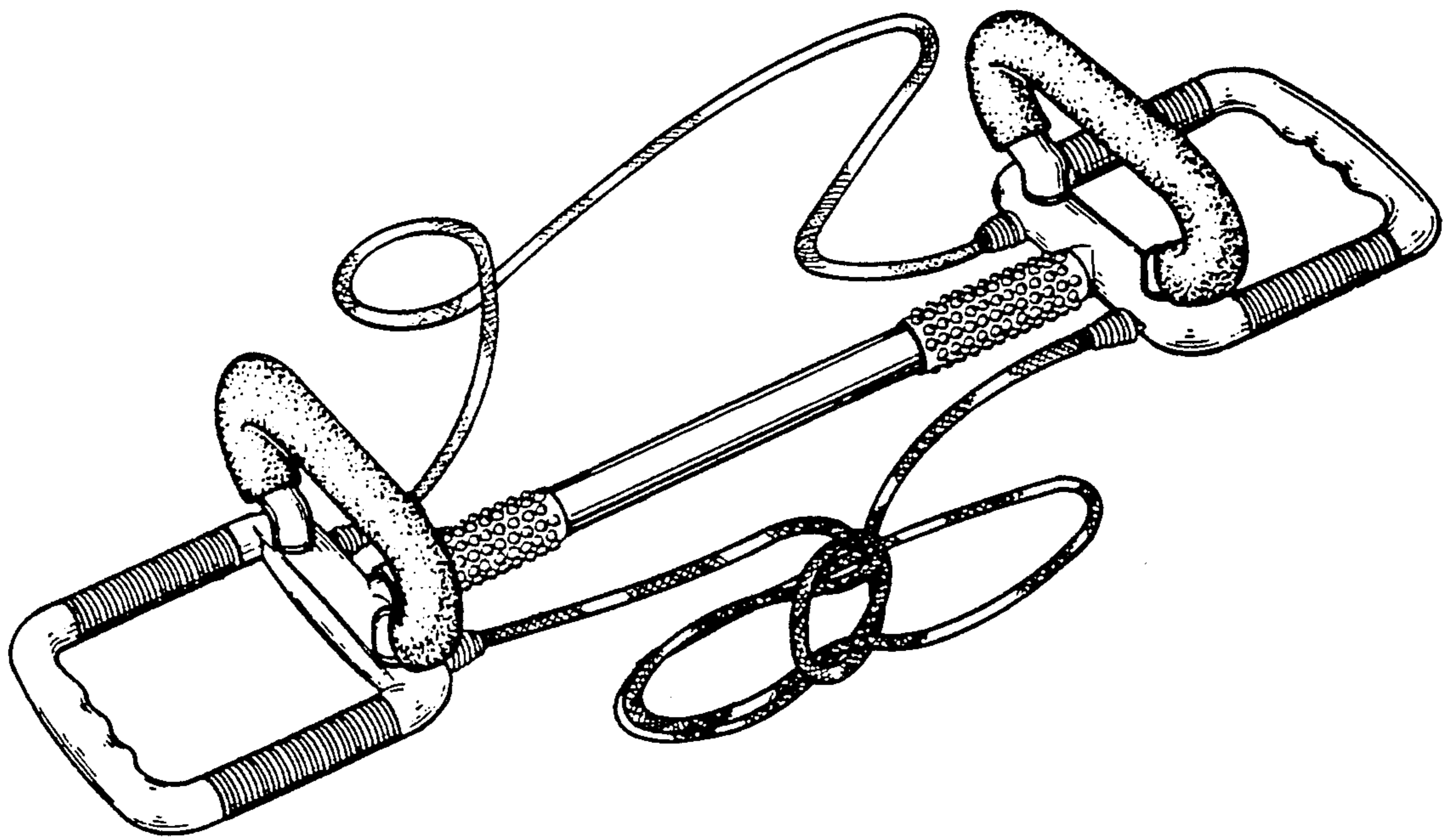


Fig. 7