



US00D330734S

# United States Patent [19]

[11] Patent Number: **Des. 330,734**

Luten

[45] Date of Patent: **\*\* Nov. 3, 1992**

[54] **STORAGE CONTAINER FOR CHIPS**

[76] Inventor: **Everett E. Luten**, 3310 Highland Laurels, Kingwood, Tex. 77545

[\*\*] Term: **14 Years**

[21] Appl. No.: **572,785**

[22] Filed: **Aug. 24, 1990**

[52] U.S. Cl. .... **D21/56; D9/418; D9/341**

[58] Field of Search ..... **D21/56, 54, 55; 273/148 R, 236, 260, 288; 220/345, 601, 661, 346; 206/45.31, 315.1; 229/162; D9/341, 418**

[56] **References Cited**

**U.S. PATENT DOCUMENTS**

D. 149,930	6/1948	Bratt .....	D21/56
D. 184,484	2/1959	Kahn .....	D9/341
D. 273,403	4/1984	DeLuca .....	D21/56
D. 274,441	6/1984	Stevenson .....	D21/56
D. 281,145	10/1985	Moe .....	D9/341
2,562,248	7/1951	Weed .....	220/345
3,527,373	9/1970	Giraudet et al. ....	220/345
3,531,012	9/1970	Bergh et al. ....	220/345
4,502,609	3/1985	Christatos .....	220/345 X

**OTHER PUBLICATIONS**

Modern Salon, Feb. 1984, p. 80, Perm Three Pack Package.

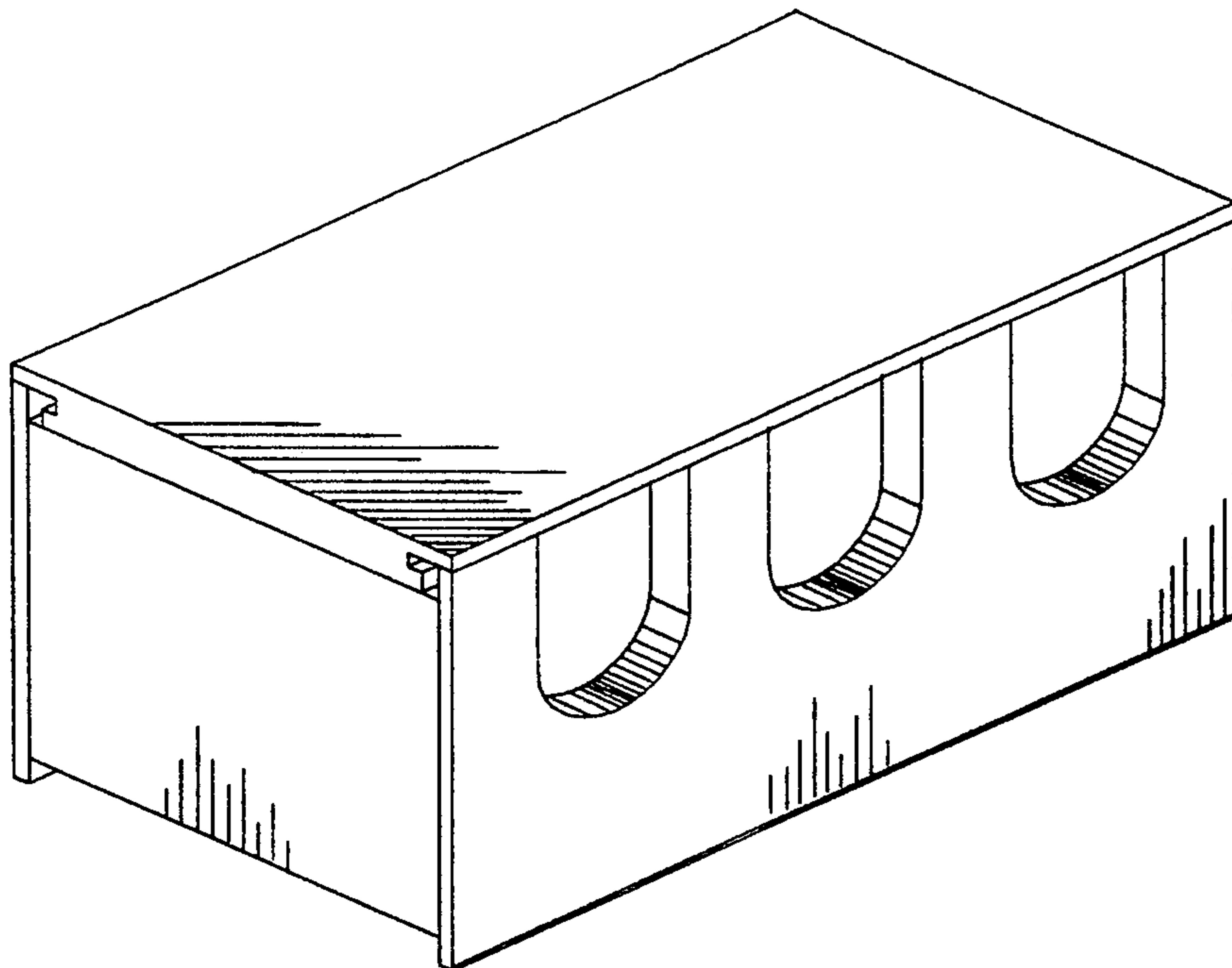
*Primary Examiner*—Bernard Ansher  
*Assistant Examiner*—Prabhakar Deshmukh  
*Attorney, Agent, or Firm*—Browning, Bushman, Anderson & Brookhart

[57] **CLAIM**

The ornamental design for a storage container for chips, as shown and described.

**DESCRIPTION**

FIG. 1 is a perspective view of a storage container for chips showing my new design;  
FIG. 2 is a perspective view thereof; with the top removed for clarity of illustration;  
FIG. 3 is a top plan view of FIG. 2;  
FIG. 4 is a front elevational view of FIG. 2; the rear elevational view being a mirror image thereof;  
FIG. 5 is a bottom plan view of FIG. 2;  
FIG. 6 is a left side elevational view of FIG. 2;  
FIG. 7 is a right side elevational view of FIG. 2; and,  
FIG. 8 is a bottom perspective view of the cover; shown separately for clarity of illustration.



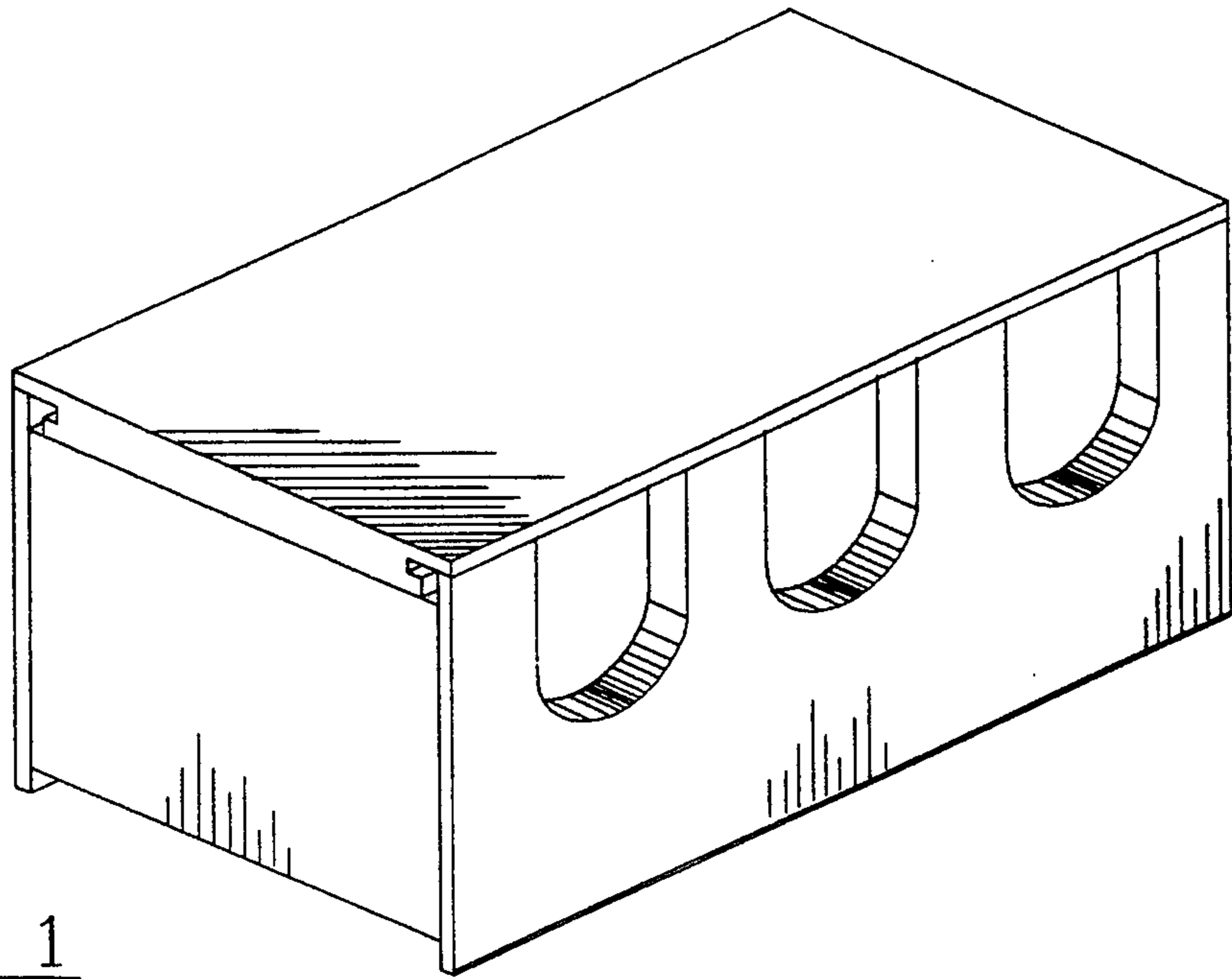


FIG. 1

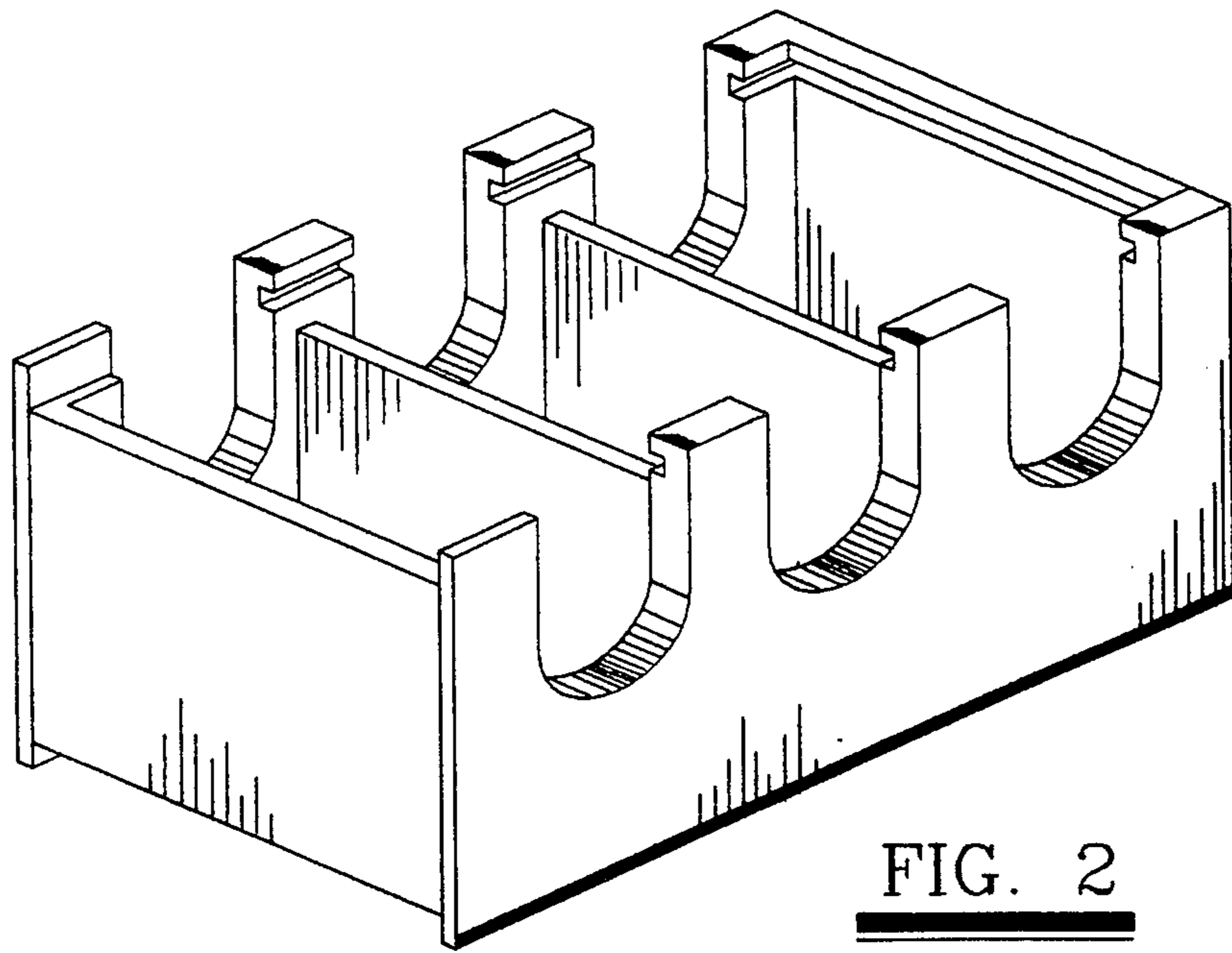


FIG. 2

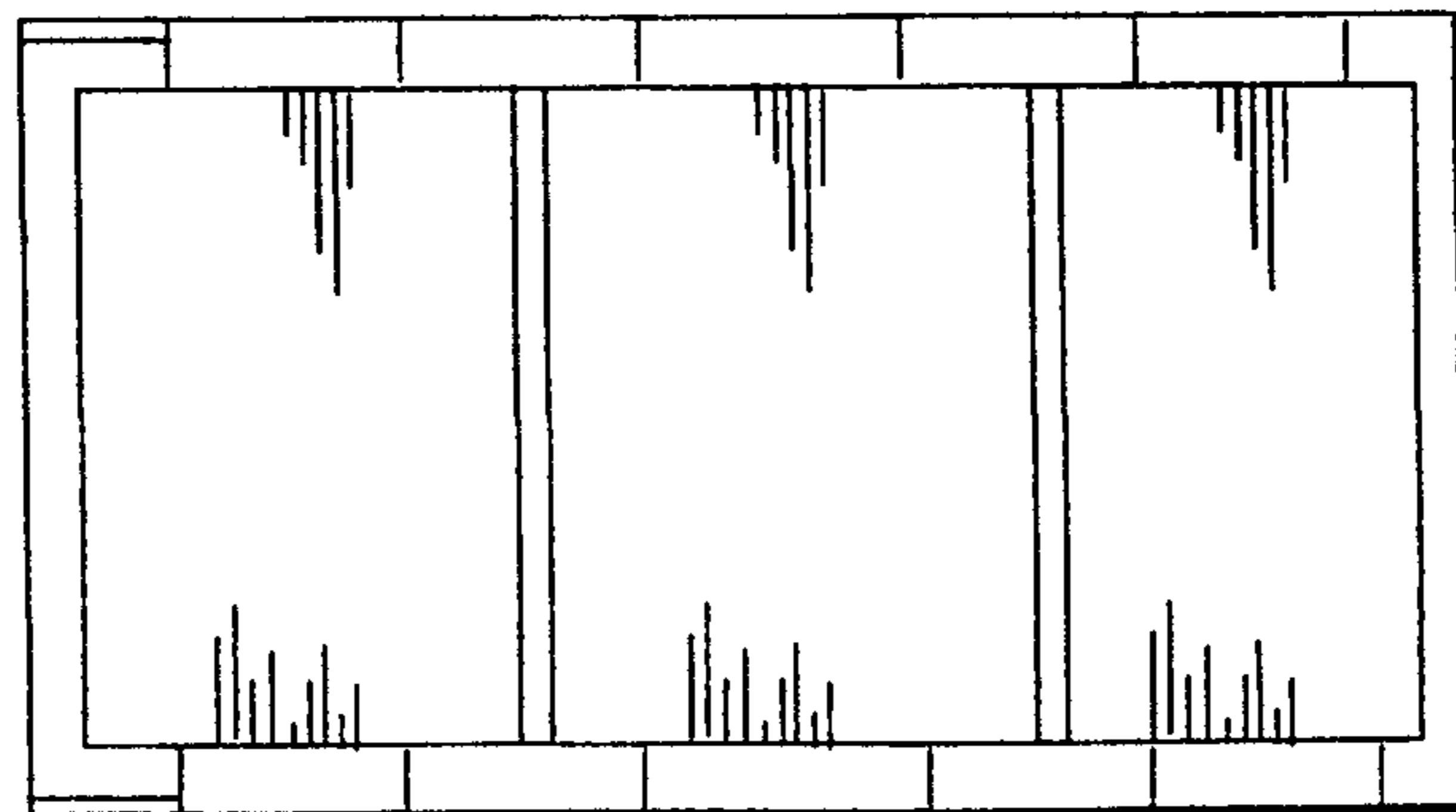


FIG. 3

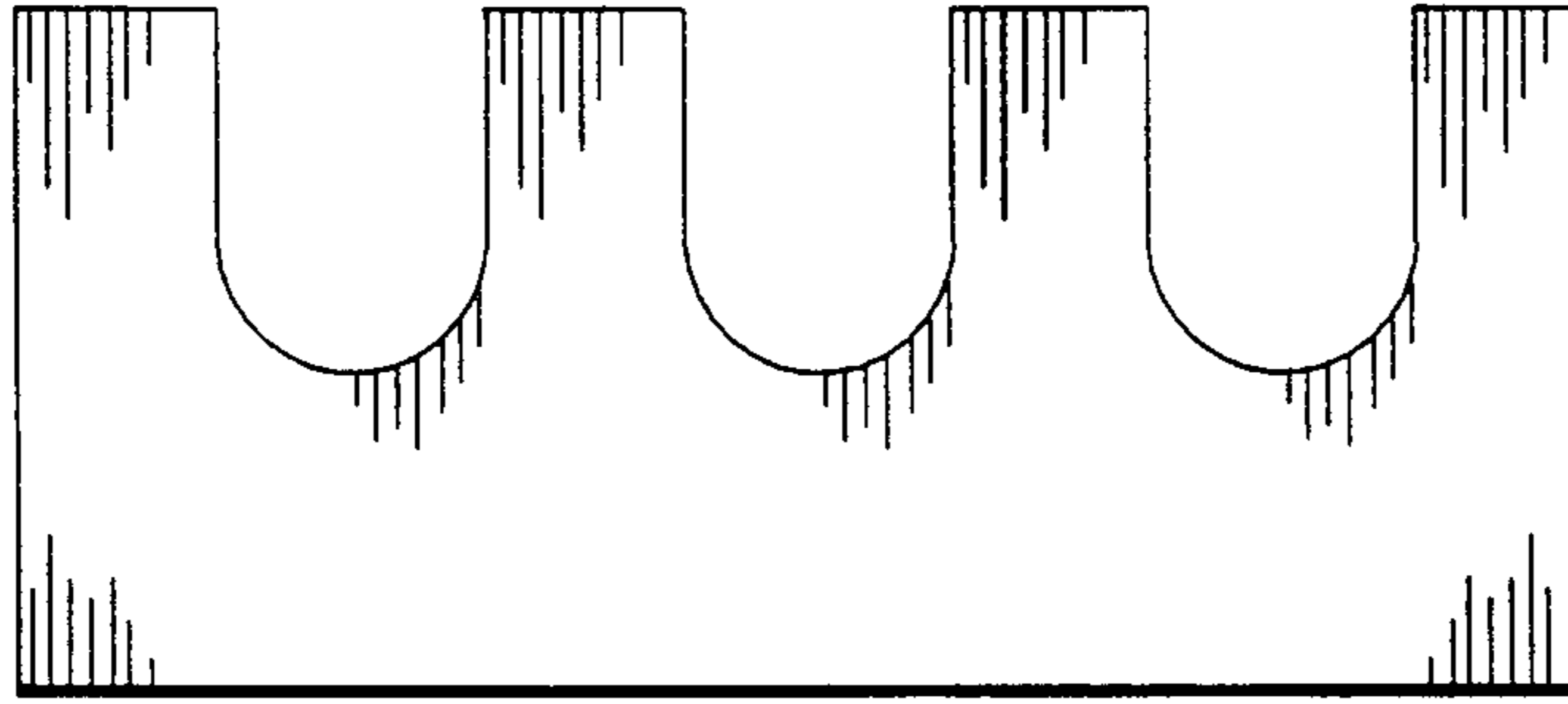


FIG. 4

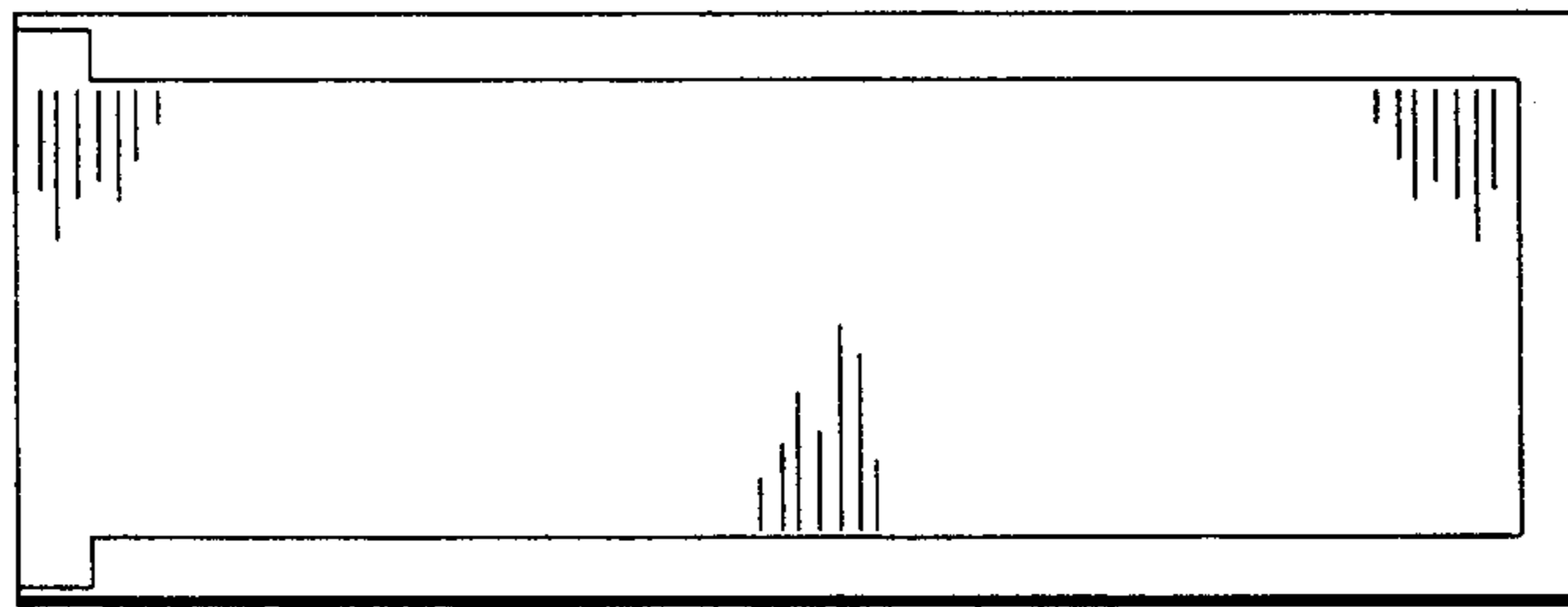


FIG. 5

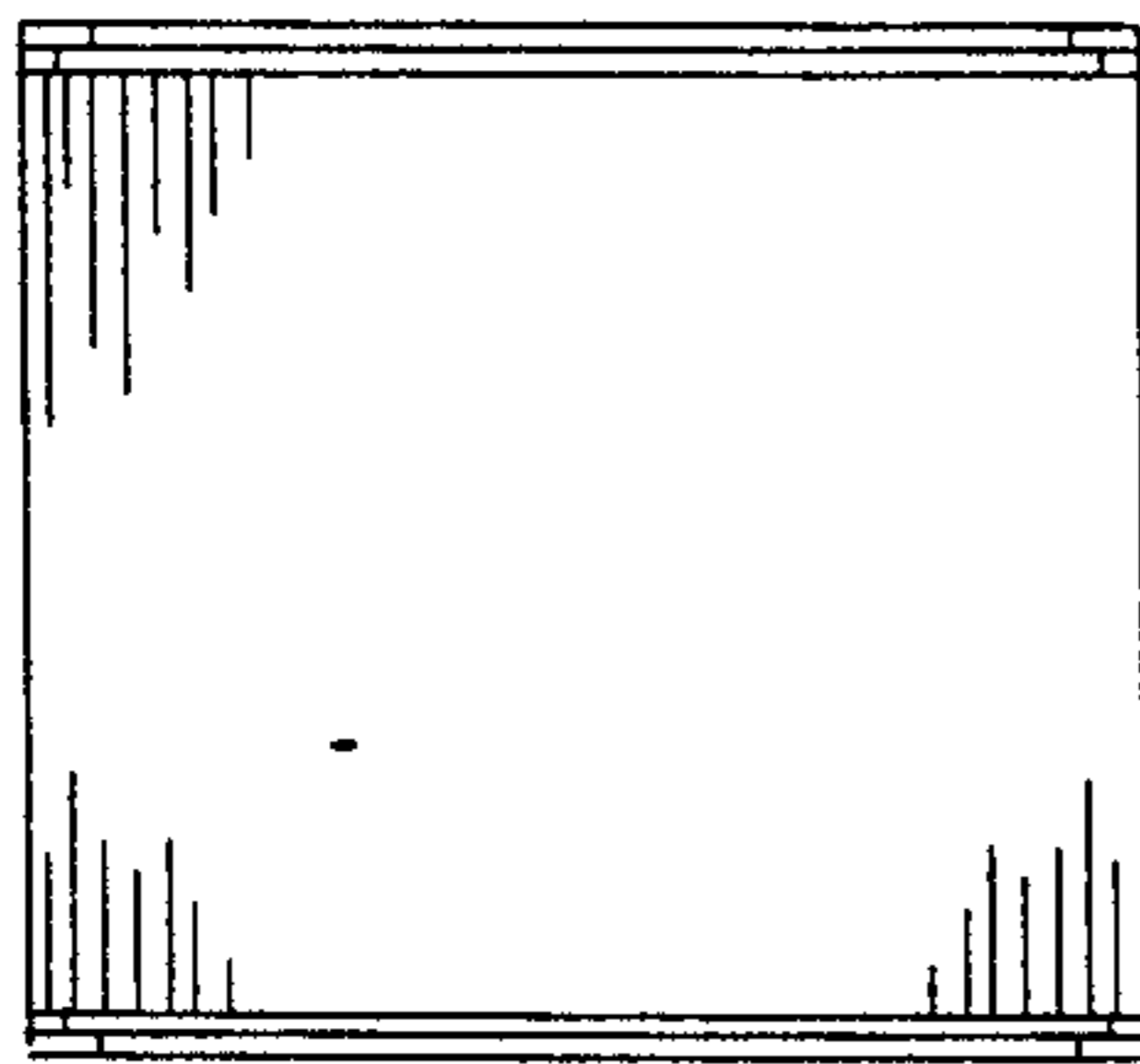


FIG. 6

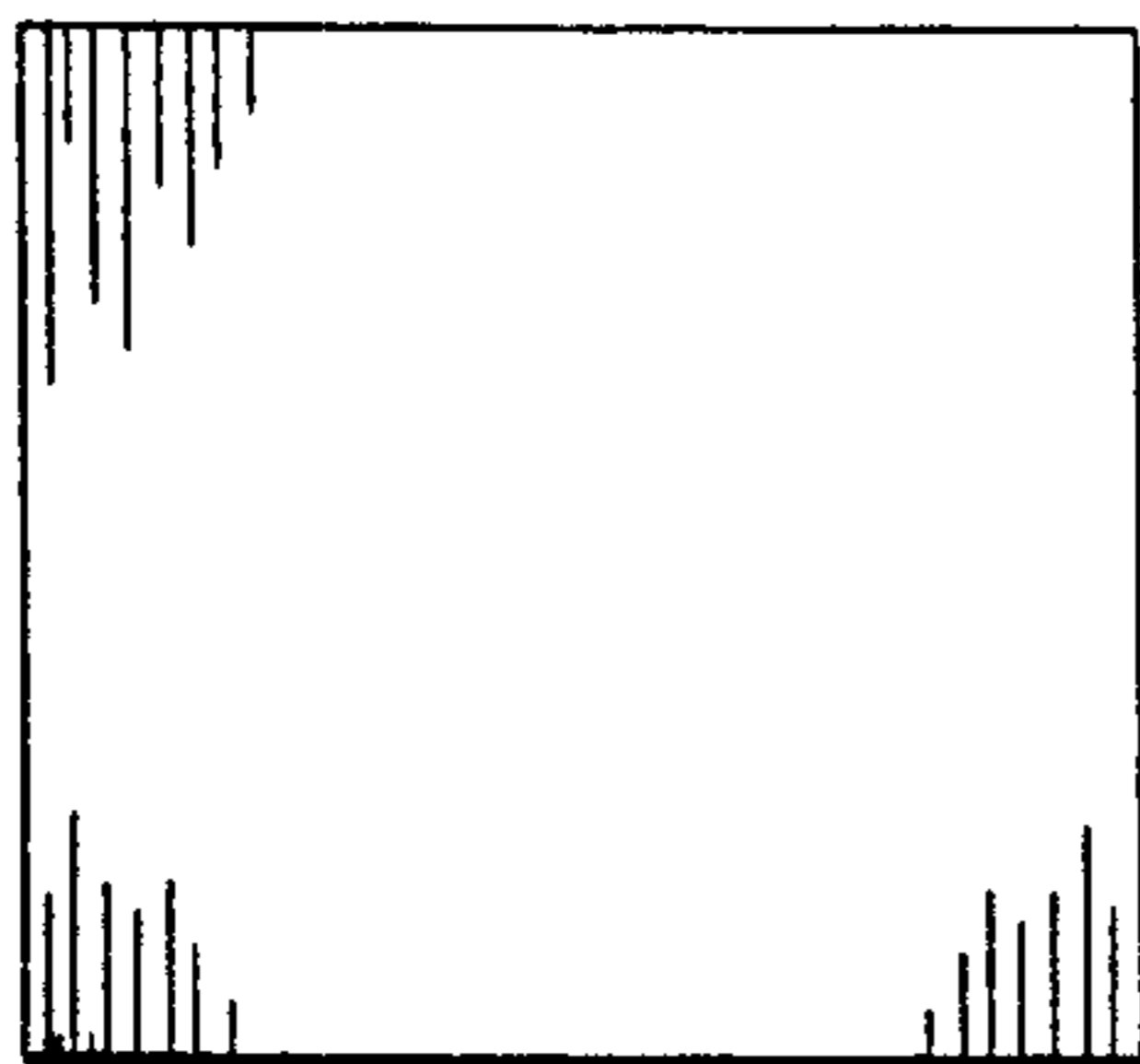


FIG. 7

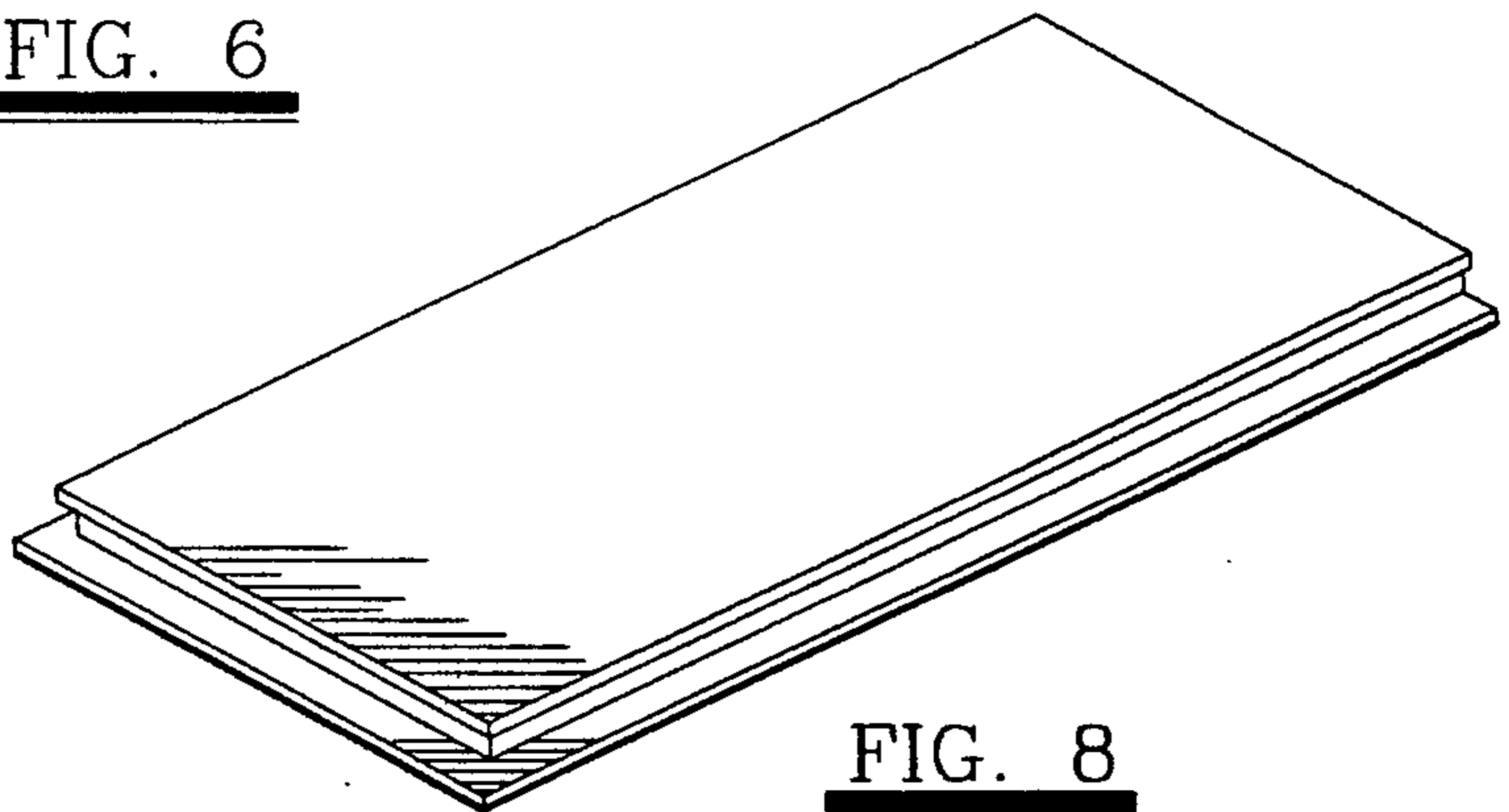


FIG. 8