



US00D330727S

United States Patent [19]

[11] Patent Number: **Des. 330,727**

Wehrle

[45] Date of Patent: **** Nov. 3, 1992**

[54] TAPE DISPENSER

[76] Inventor: **Alexander R. Wehrle**, P.O. Box B,
Brooklyn, Iowa 52211

[**] Term: **14 Years**

[21] Appl. No.: **688,886**

[22] Filed: **Apr. 22, 1991**

[52] U.S. Cl. **D19/69; D19/67**

[58] Field of Search **D19/65, 67, 68, 69,
D19/99, 100; 225/6, 7, 19, 34, 35, 45, 47, 56, 65,
77, 89; 156/523, 527; 312/38, 39**

D. 319,470 8/1991 Au D19/69
3,993,230 11/1976 Oakes 225/47
4,447,281 5/1984 Joy 156/523 X
4,729,518 3/1988 Mathna et al. 156/527 X

Primary Examiner—Nelson C. Holtje
Assistant Examiner—Martha Thompson

[57] CLAIM

The ornamental design for tape dispenser, as shown and described.

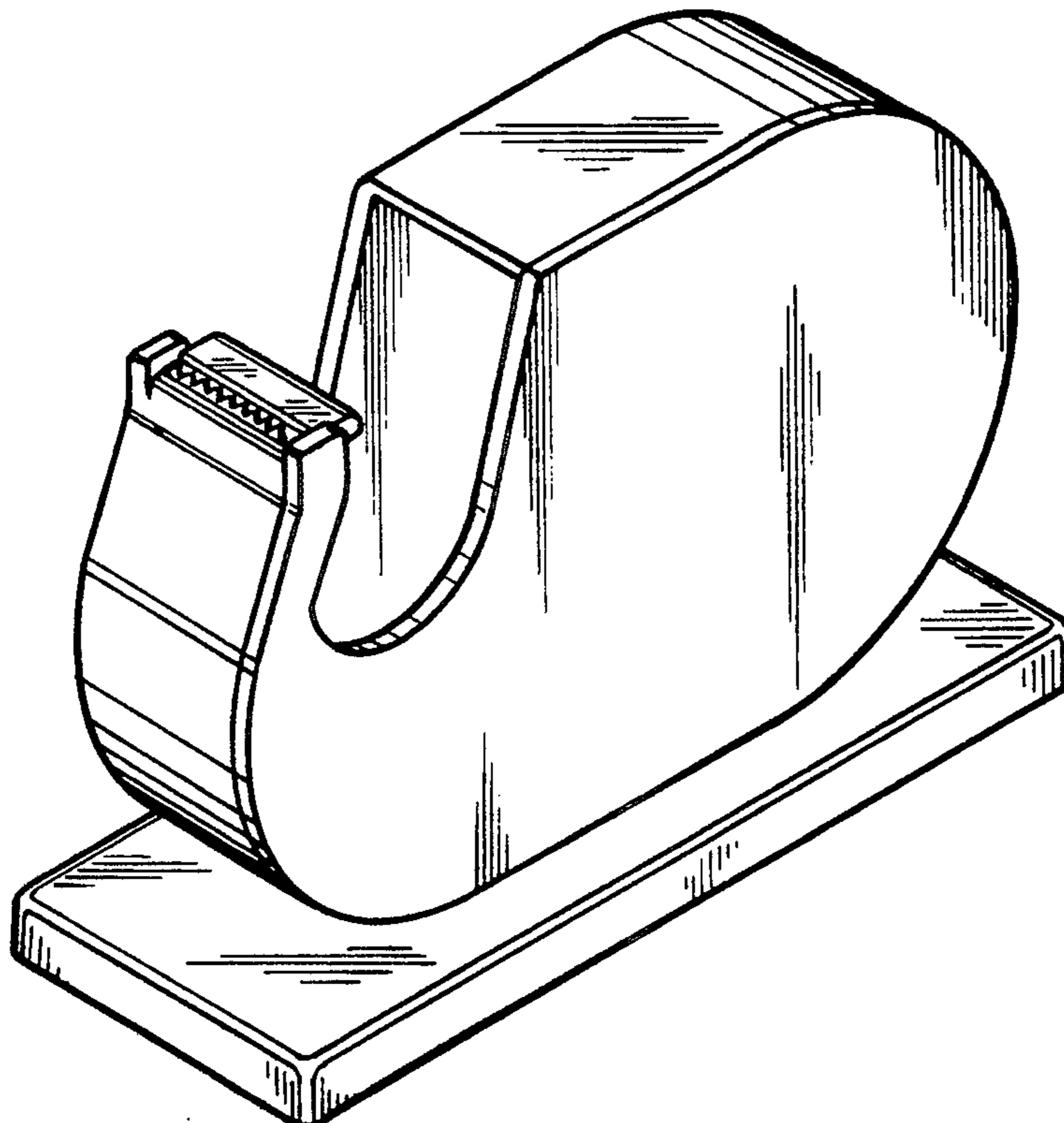
DESCRIPTION

FIG. 1 is a top, right front perspective view of a tape dispenser showing my new design;
FIG. 2 is a top plan view thereof;
FIG. 3 is a left side elevational view, the right side being a mirror image thereof;
FIG. 4 is a front elevational view thereof;
FIG. 5 is a rear elevational view thereof; and,
FIG. 6 is a bottom view thereof.

[56] References Cited

U.S. PATENT DOCUMENTS

D. 118,629 1/1940 Reinecke D19/69
D. 177,224 3/1956 Gershen D19/69
D. 300,151 3/1989 Lin D19/67
D. 315,576 3/1991 En D19/69



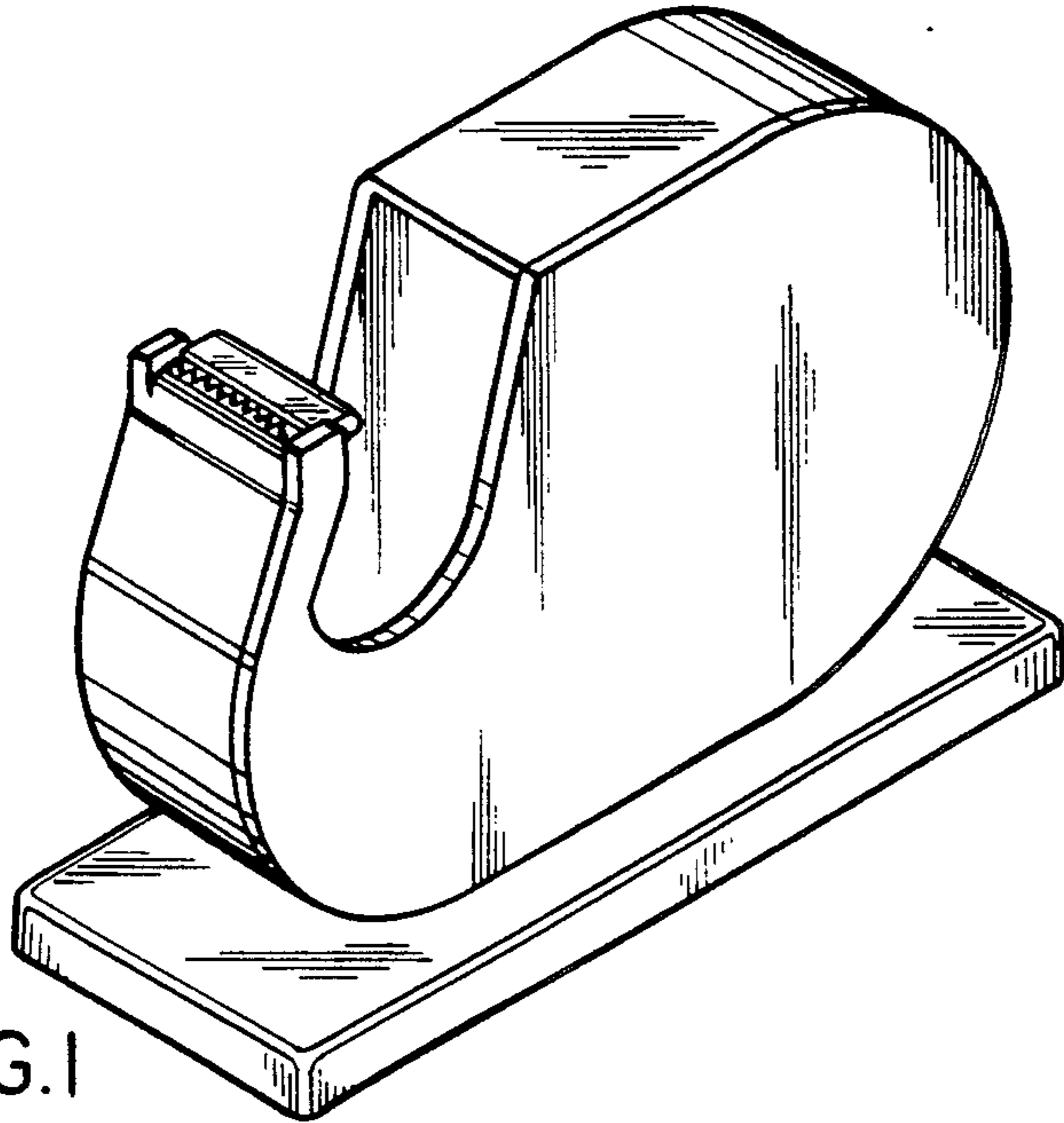


FIG. 1

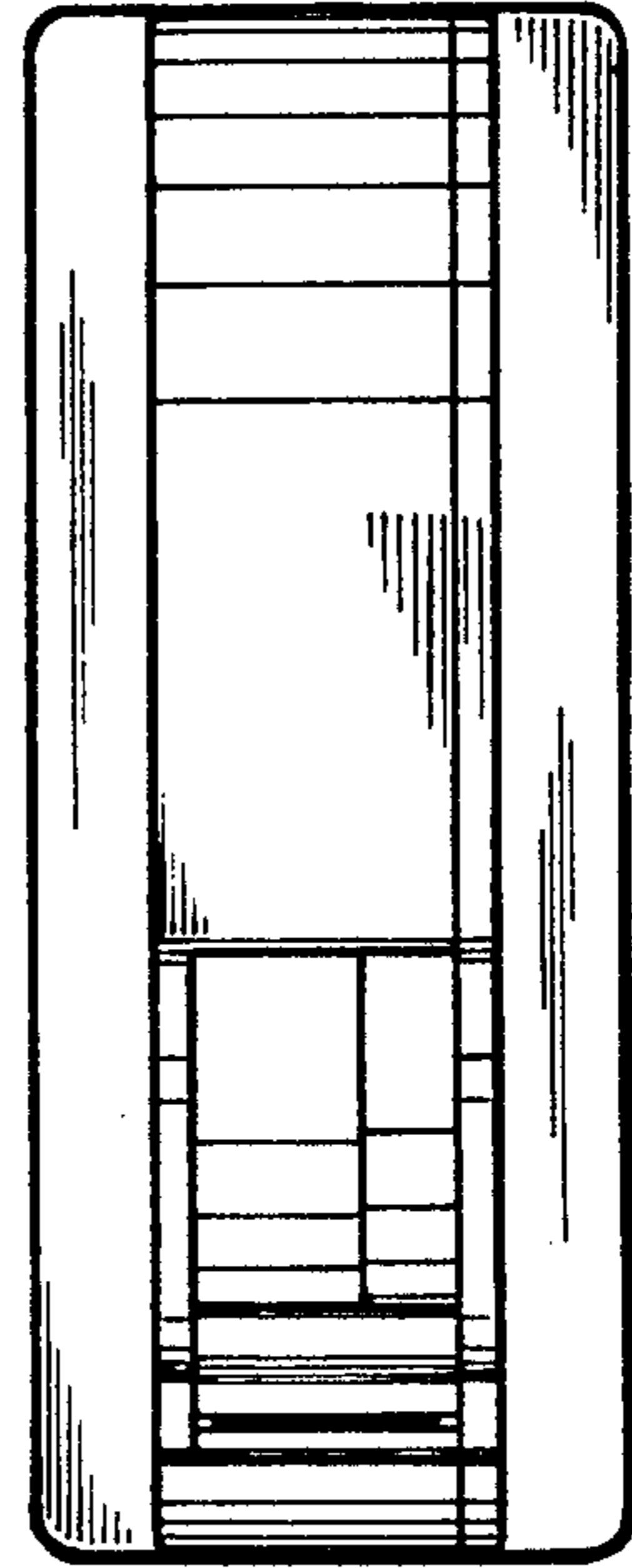


FIG. 2

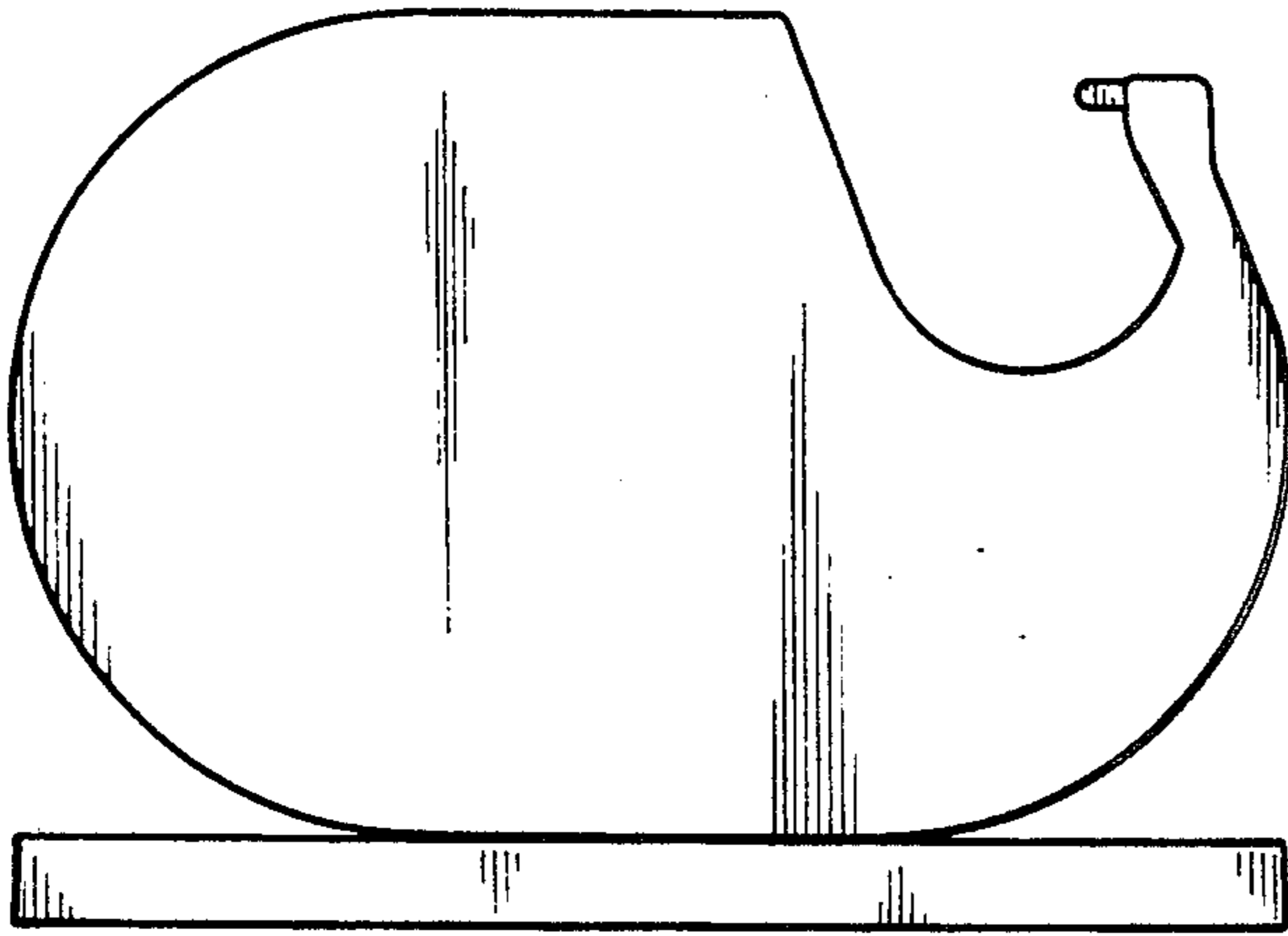


FIG. 3

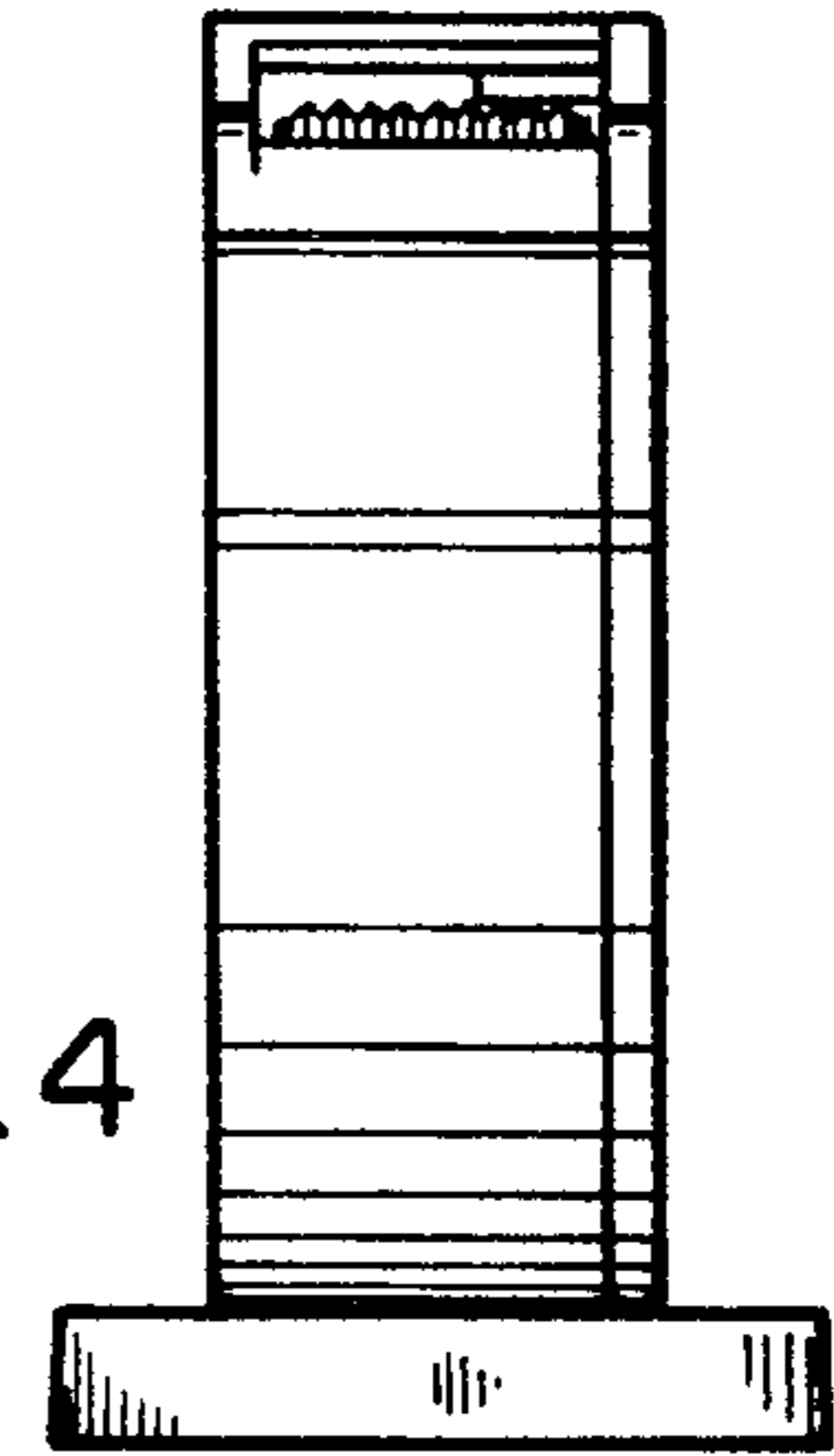


FIG. 4

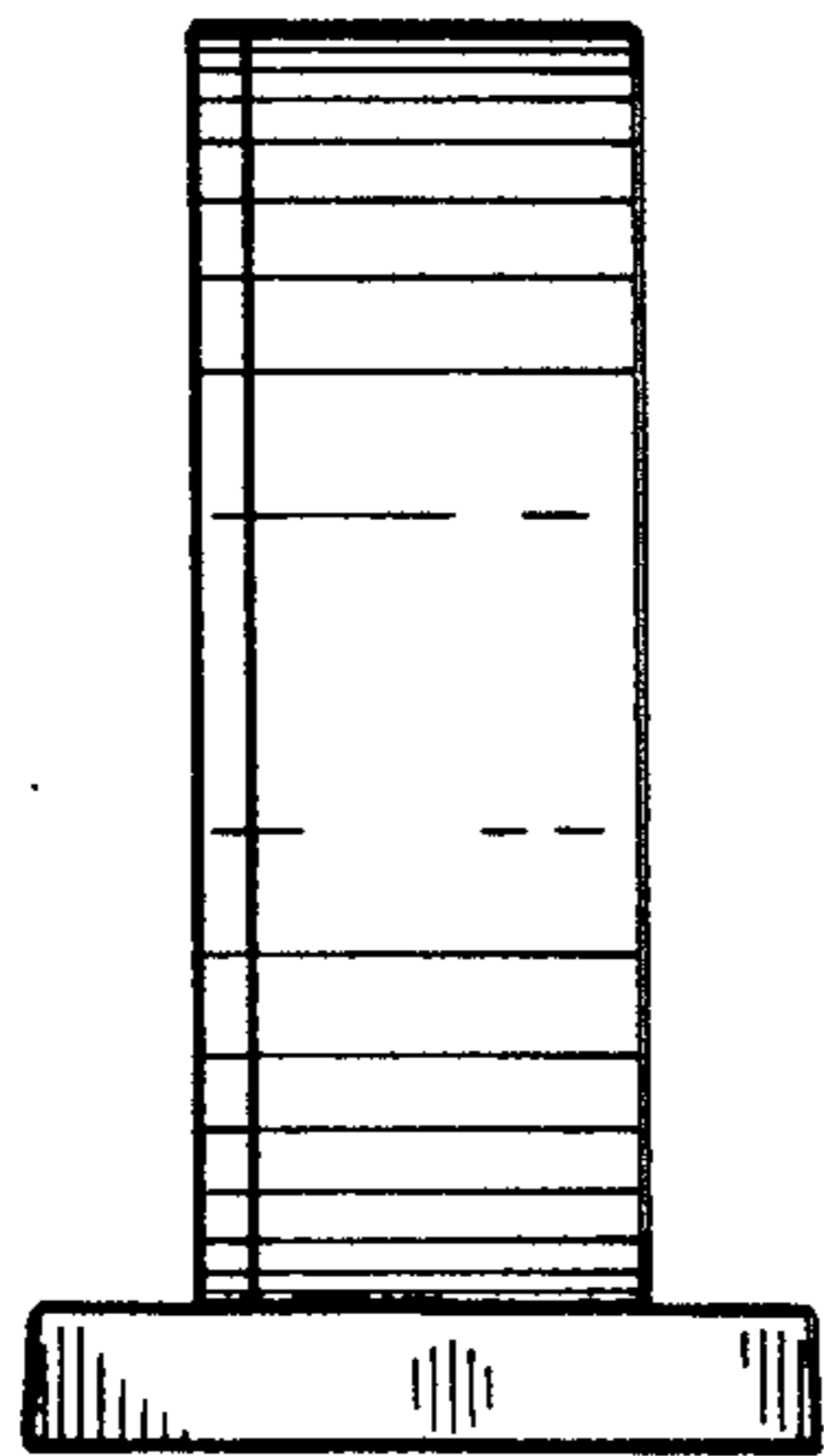


FIG. 5

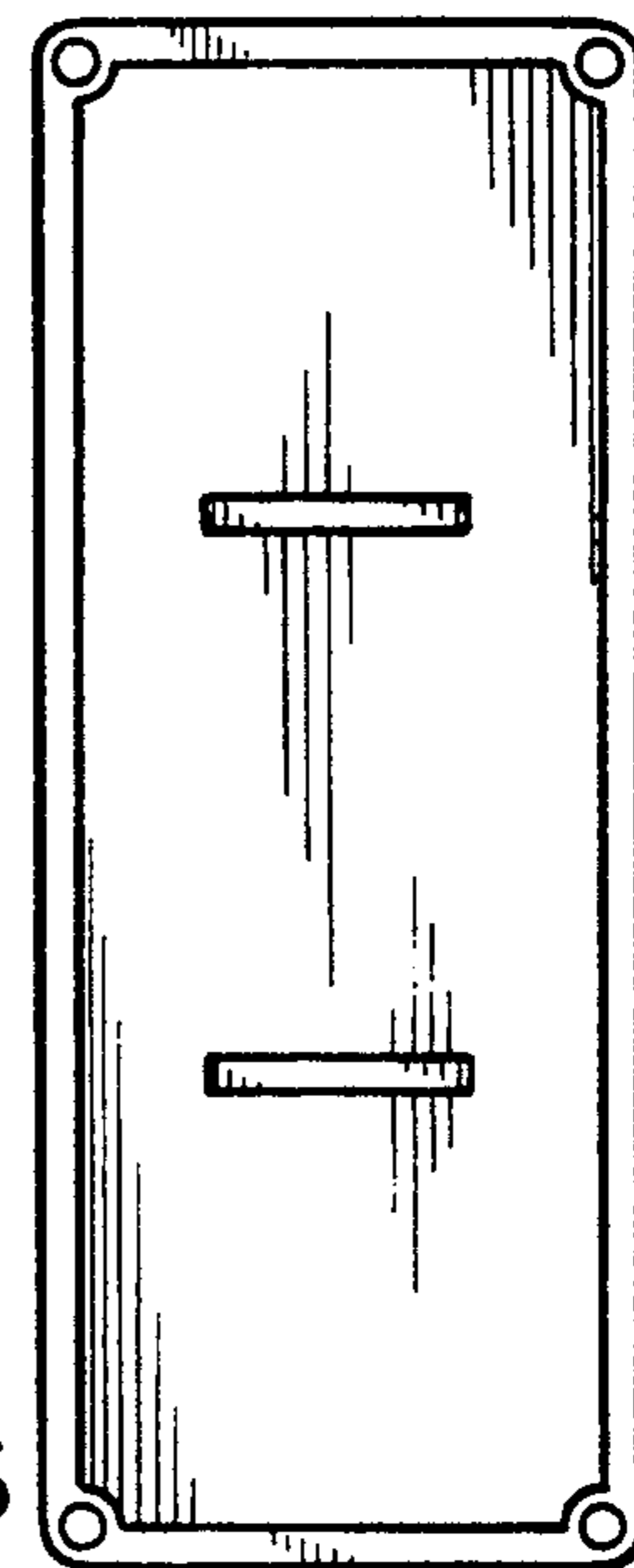


FIG. 6