



US00D330724S

United States Patent [19]

[11] Patent Number: **Des. 330,724**

Gansky et al.

[45] Date of Patent: **** Nov. 3, 1992**

[54] **PRINTING BLANKET MOUNTING BAR**
[76] Inventors: **Alton E. Gansky, 4623 Bella Dr.;
William A. Harris, 4490 Emerald
Dr., both of Colorado Springs, Colo.
80918**

4,332,197 6/1982 Dulin 101/415.1
4,977,833 12/1990 Inage et al. 101/378
5,012,738 5/1991 Bloothoofd 101/378
5,052,299 10/1991 Kojima 101/378

[**] Term: **14 Years**

Primary Examiner—A. Hugo Word
Assistant Examiner—Cathy Anne MacCormac
Attorney, Agent, or Firm—Phillip A. Rein

[21] Appl. No.: **586,014**

[57] **CLAIM**

[22] Filed: **Sep. 20, 1990**

The ornamental design for a printing blanket mounting bar, as shown and described.

[52] U.S. Cl. **D18/56**

[58] Field of Search **D18/56, 57; 101/415.1,
101/378**

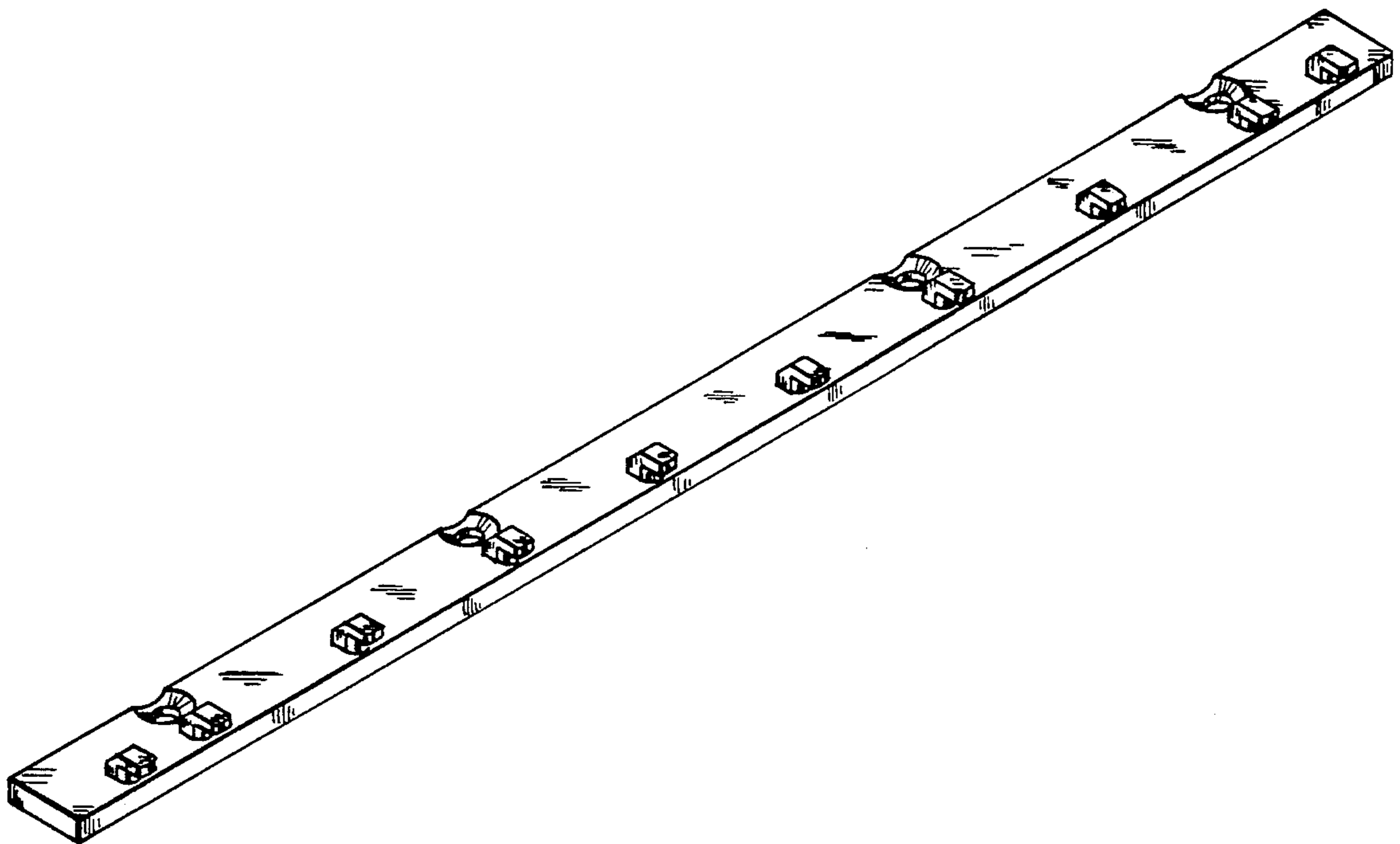
DESCRIPTION

[56] **References Cited**

U.S. PATENT DOCUMENTS

680,752	8/1901	Binder	101/415.1
3,387,559	6/1968	Horner	101/378
3,675,573	7/1972	Hawks	101/378
3,941,055	3/1976	Semmler et al.	101/378
3,973,496	8/1976	Cerny et al.	101/378
4,006,686	2/1977	Ackerman	101/415.1
4,130,058	12/1978	Bock	101/378

FIG. 1 is a perspective view of a printing blanket mounting bar showing our new design;
FIG. 2 is an end elevational view thereof, the opposite end being a mirror image of the end shown;
FIG. 3 is a top plan view thereof;
FIG. 4 is a front elevational view thereof;
FIG. 5 is a bottom plan view thereof;
FIG. 6 is a rear elevational view thereof; and,
FIG. 7 is a fragmentary perspective view of one end thereof.



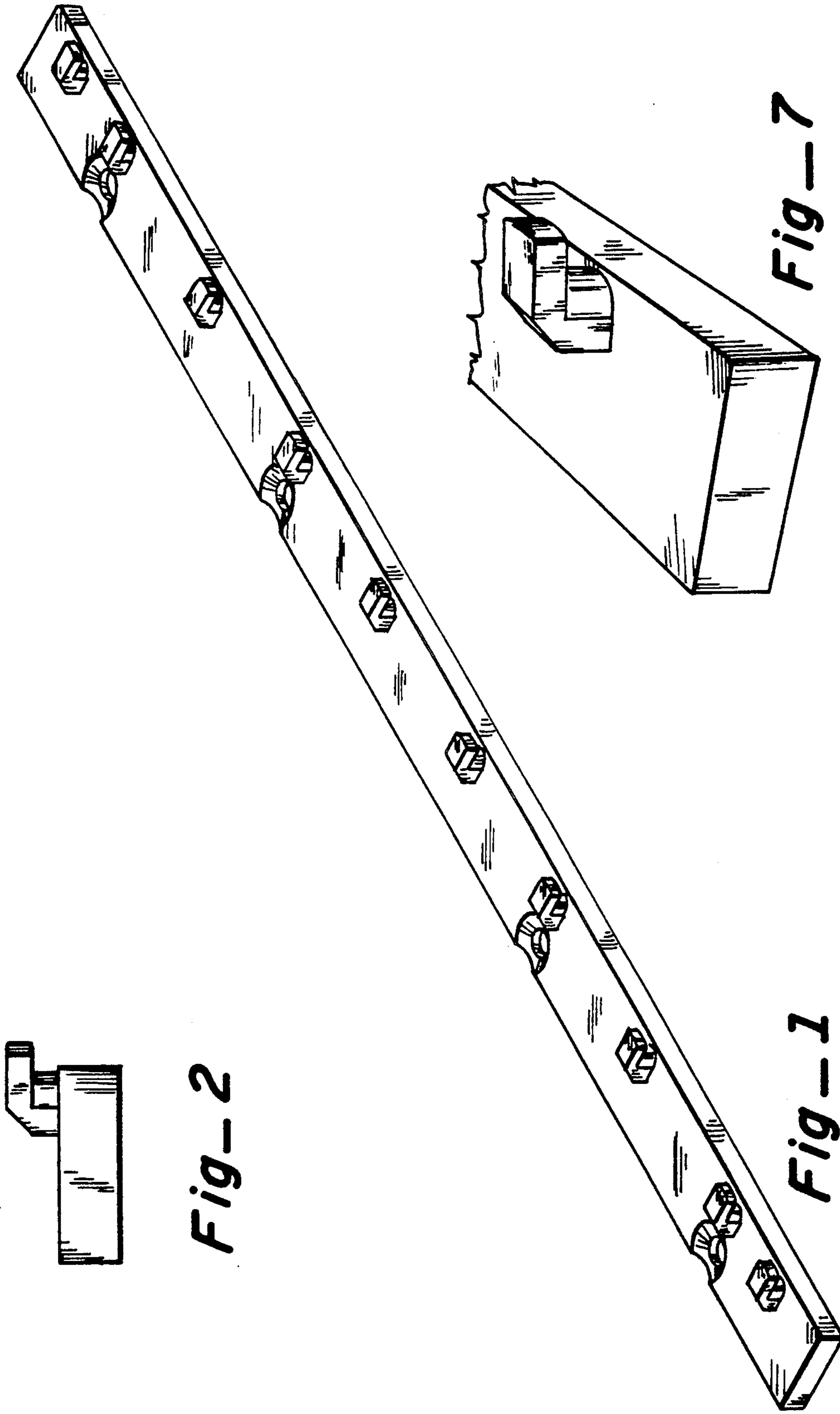


Fig-2

Fig-7

Fig-1



Fig-3



Fig-4



Fig-5



Fig-6