



US00D330713S

United States Patent [19]

[11] Patent Number: **Des. 330,713**

Kuroki

[45] Date of Patent: **** Nov. 3, 1992**

[54] SEWING MACHINE

D. 290,367	6/1987	Aono	D15/68
D. 297,434	8/1988	Yoneda	D15/69
D. 314,390	2/1991	Kuroki	D15/68
D. 321,695	11/1991	Kuroki	D15/70

[75] Inventor: **Nobufusa Kuroki, Tokyo, Japan**

[73] Assignee: **Janome Sewing Machine Co., Ltd., Tokyo, Japan**

[**] Term: **14 Years**

Primary Examiner—Bernard Ansher
Assistant Examiner—Sandra Morris
Attorney, Agent, or Firm—Michael J. Striker

[21] Appl. No.: **574,241**

[57] **CLAIM**

[22] Filed: **Aug. 28, 1990**

The ornamental design for a sewing machine, as shown and described.

[30] **Foreign Application Priority Data**

Aug. 21, 1990 [JP] Japan 2-27823

DESCRIPTION

[52] U.S. Cl. **D15/70**

[58] Field of Search D15/66-78;
112/199, 217.1-217.4, 258-262.1

FIG. 1 is a perspective view of a sewing machine, showing my new design;
FIG. 2 is a front elevational view thereof;
FIG. 3 is a rear elevational view thereof;
FIG. 4 is a top plan view thereof;
FIG. 5 is a bottom plan view thereof;
FIG. 6 is a right side elevational view thereof; and,
FIG. 7 is a left side elevational view thereof.

[56] **References Cited**

U.S. PATENT DOCUMENTS

D. 289,877 5/1987 Yoneda D15/70

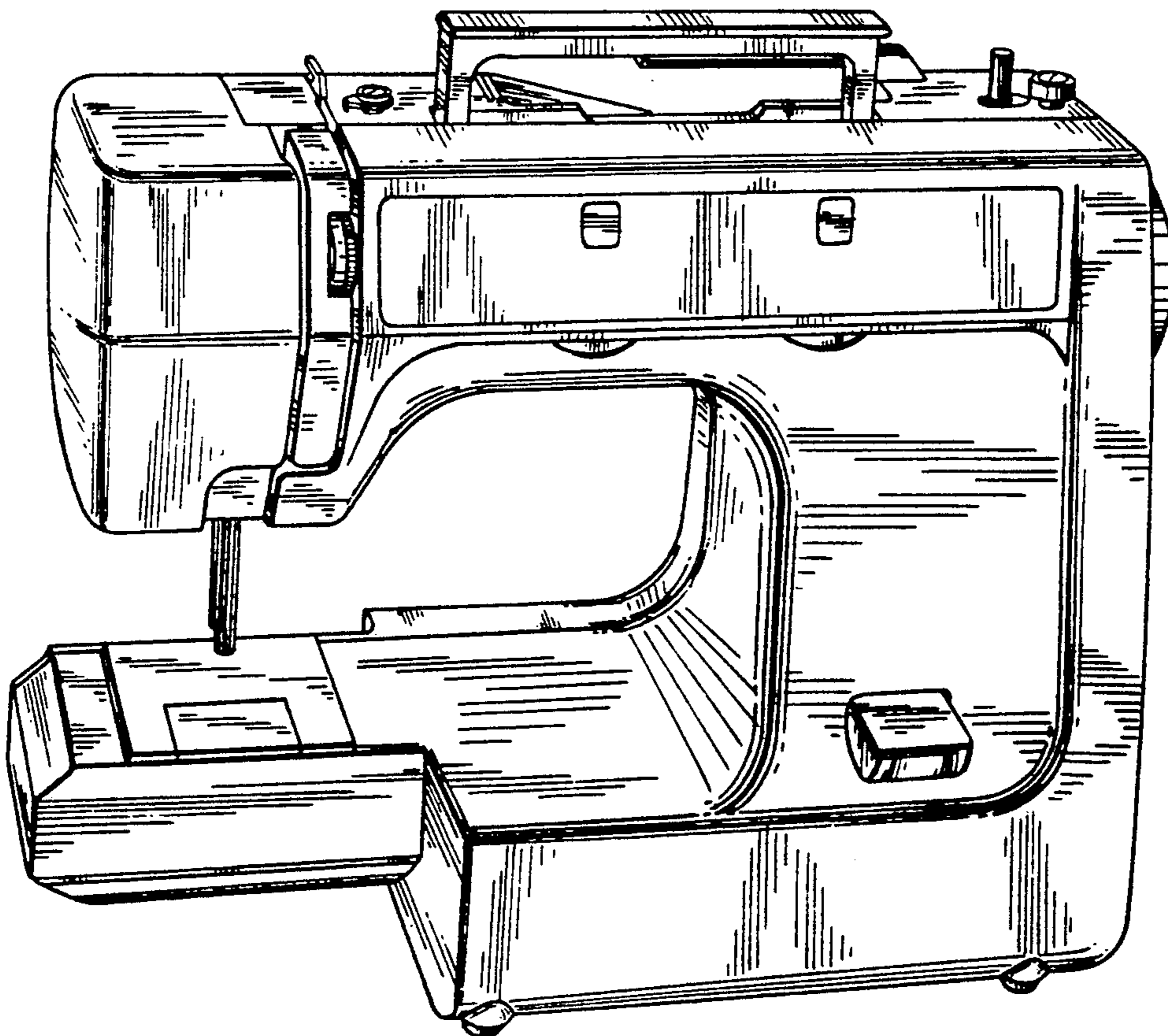


FIG. 1

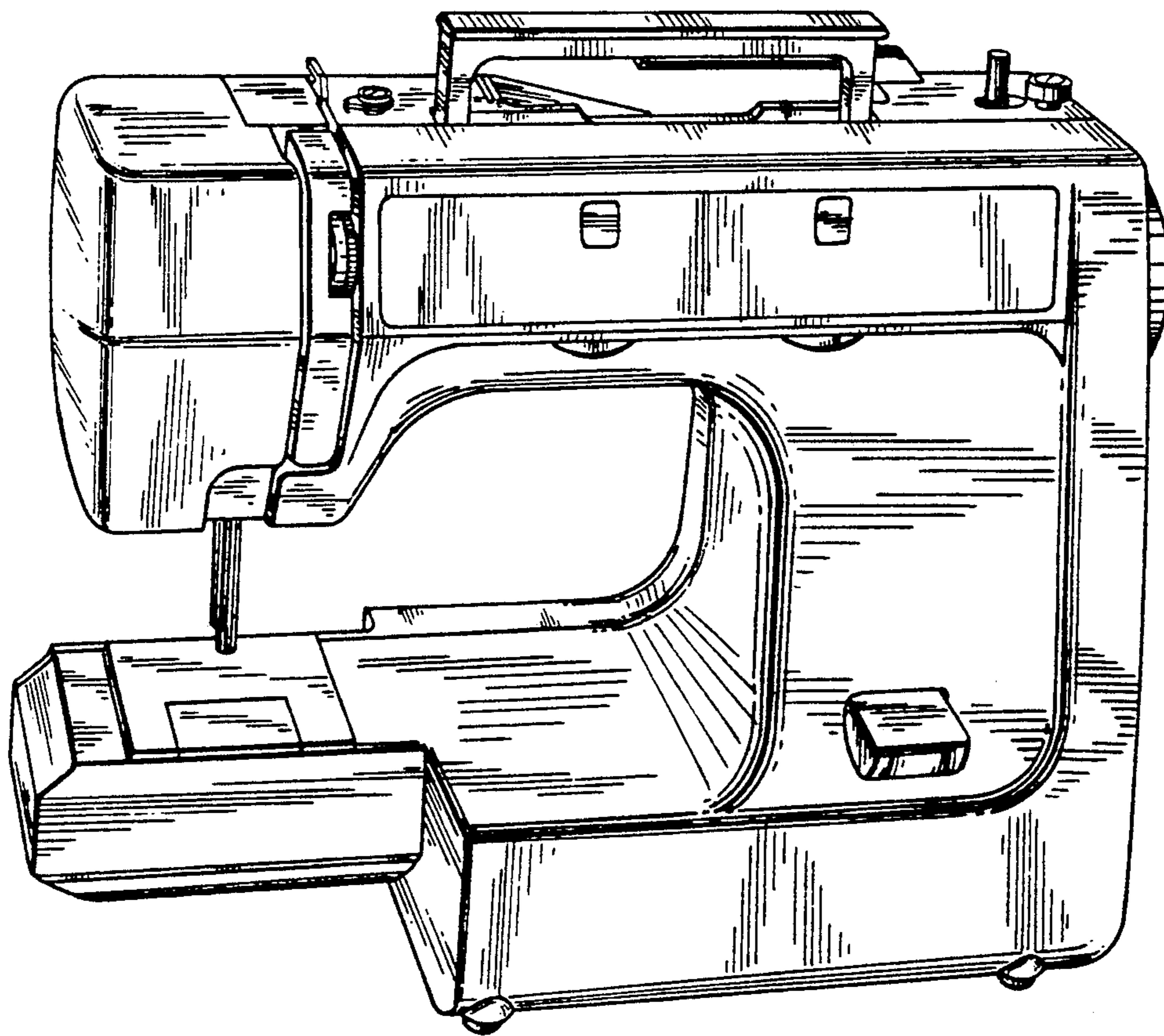


FIG. 2

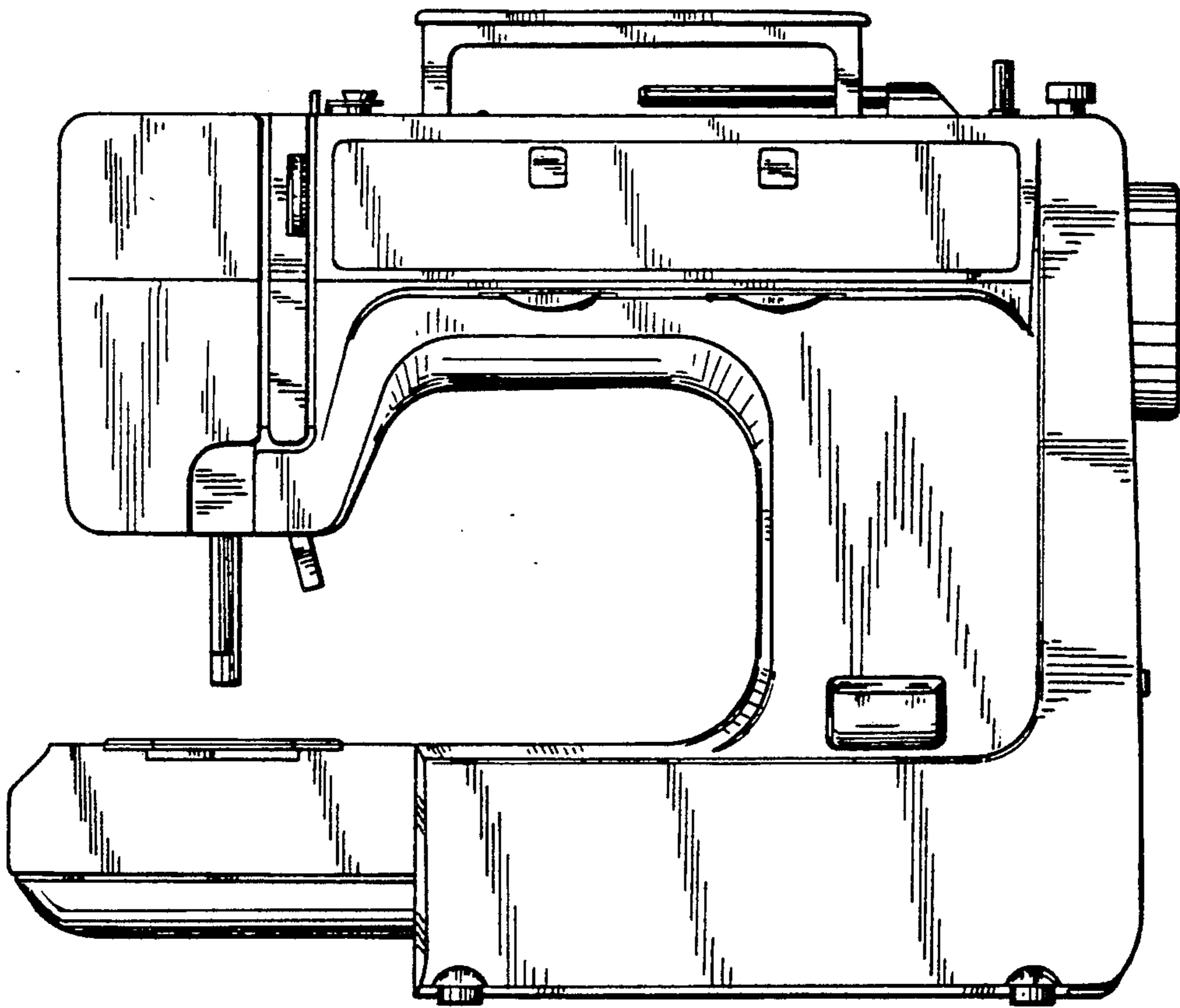


FIG. 3

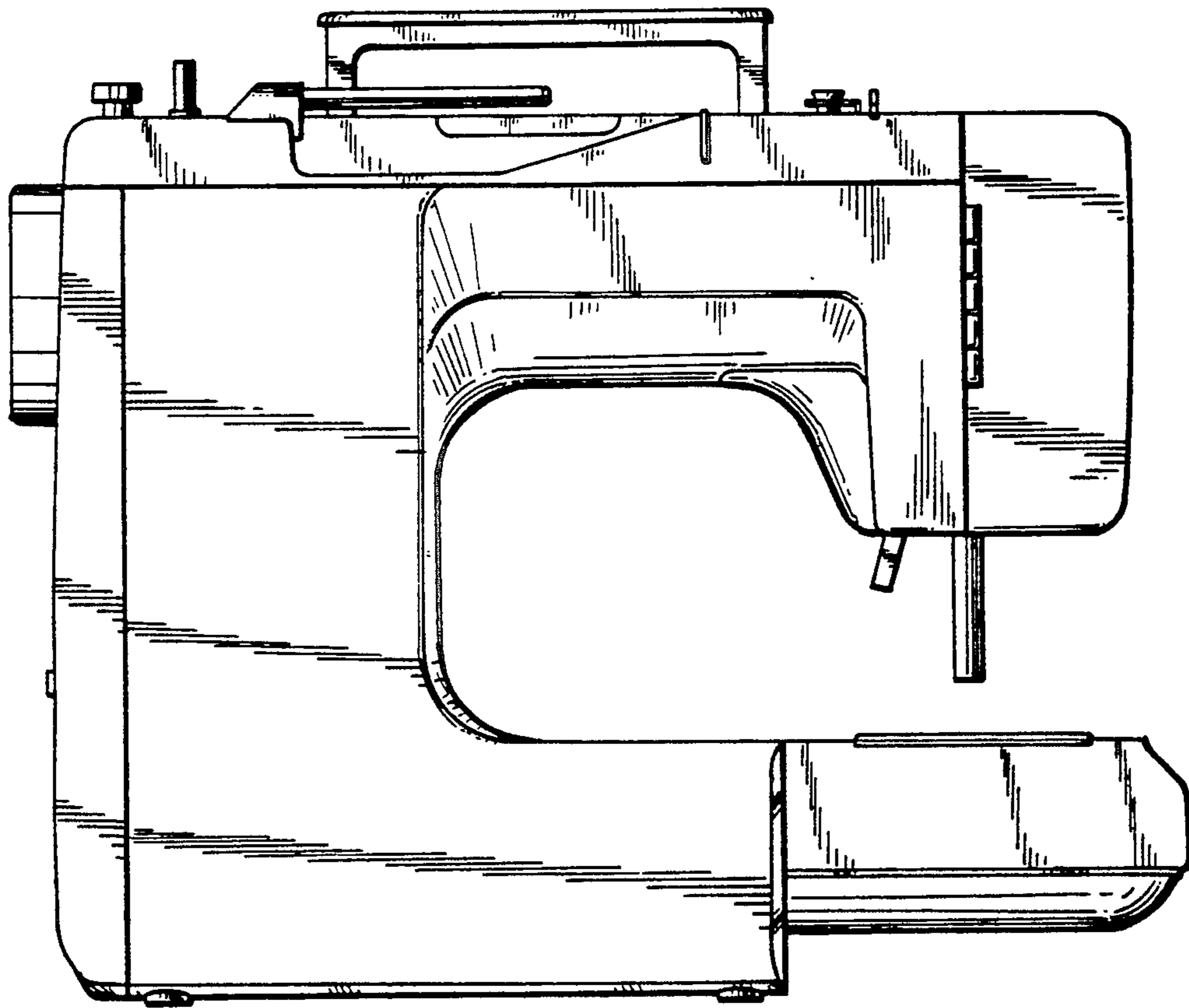


FIG. 4

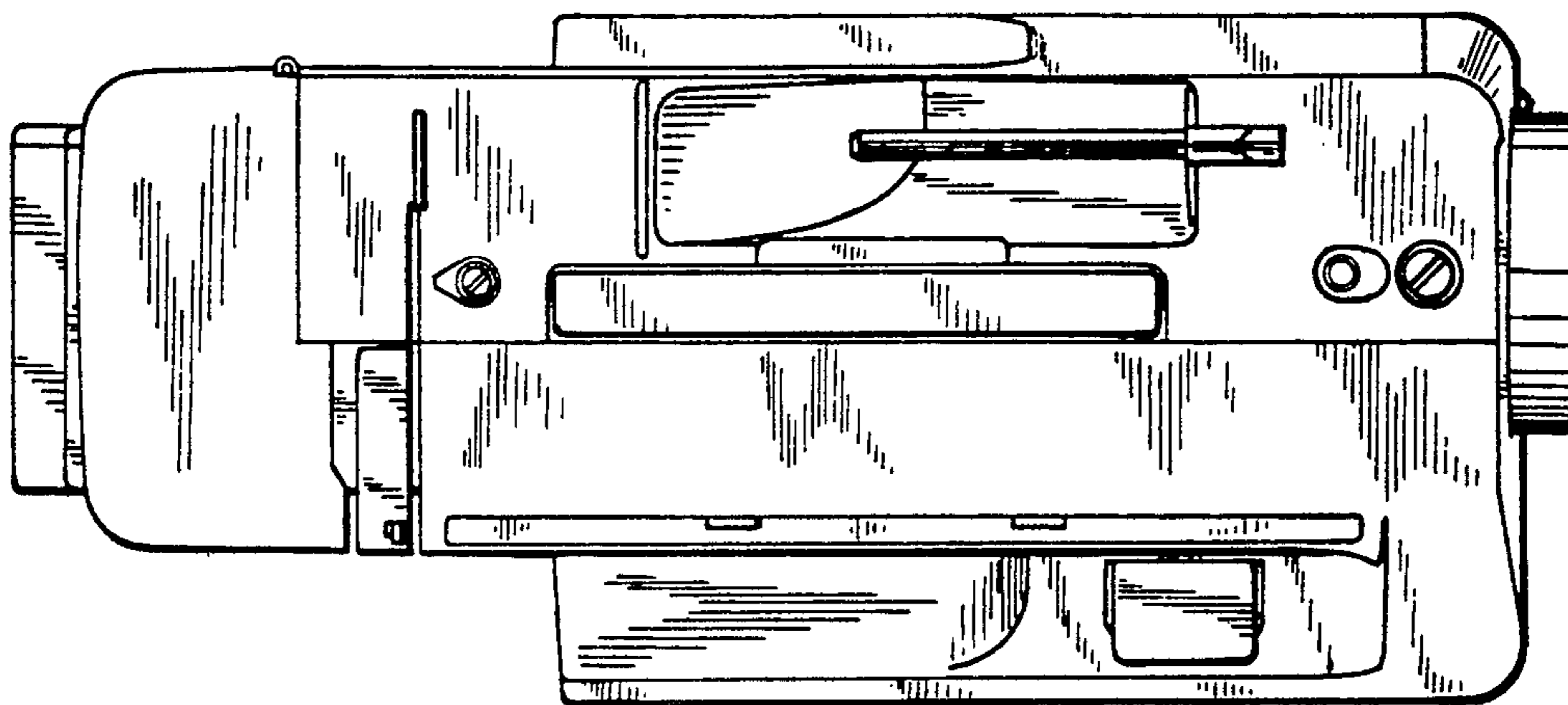


FIG. 5

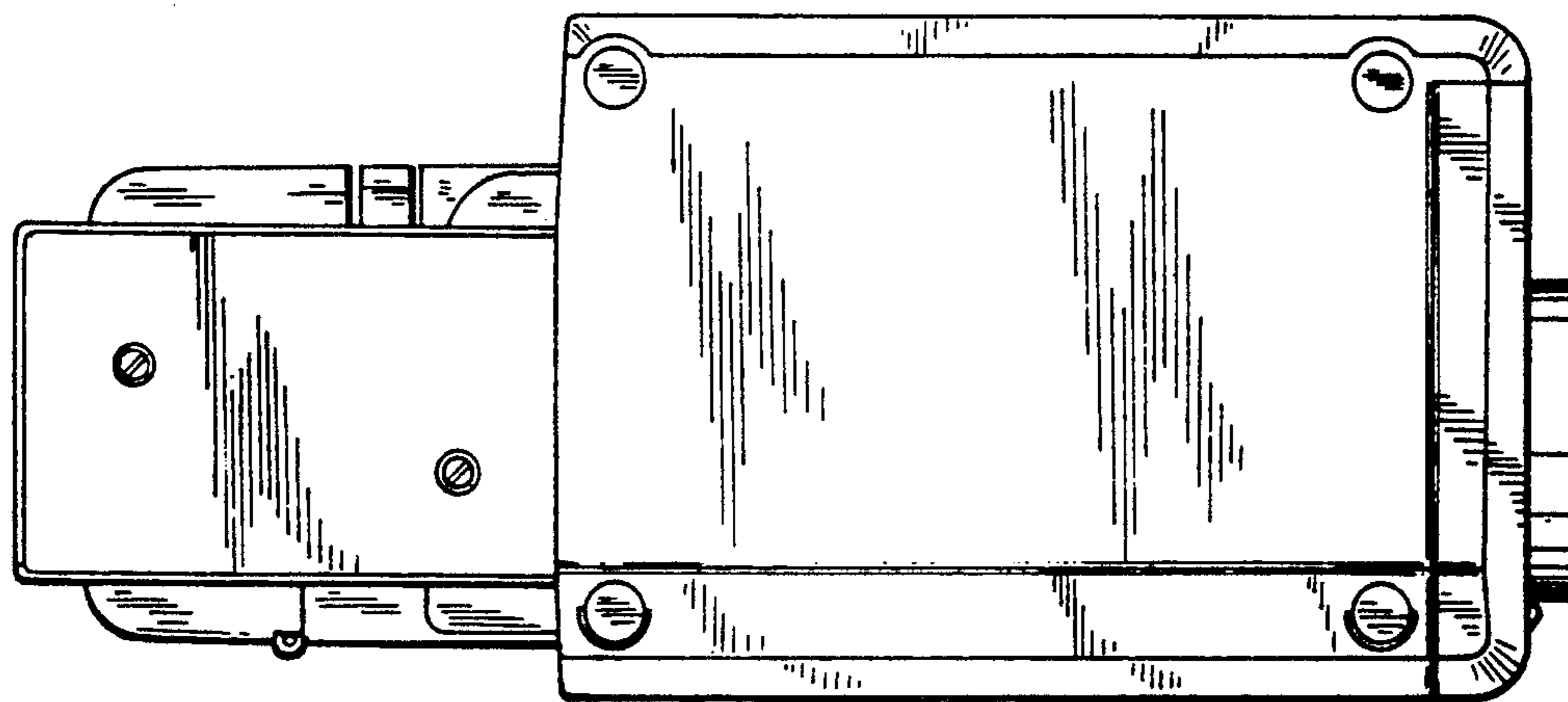


FIG. 7

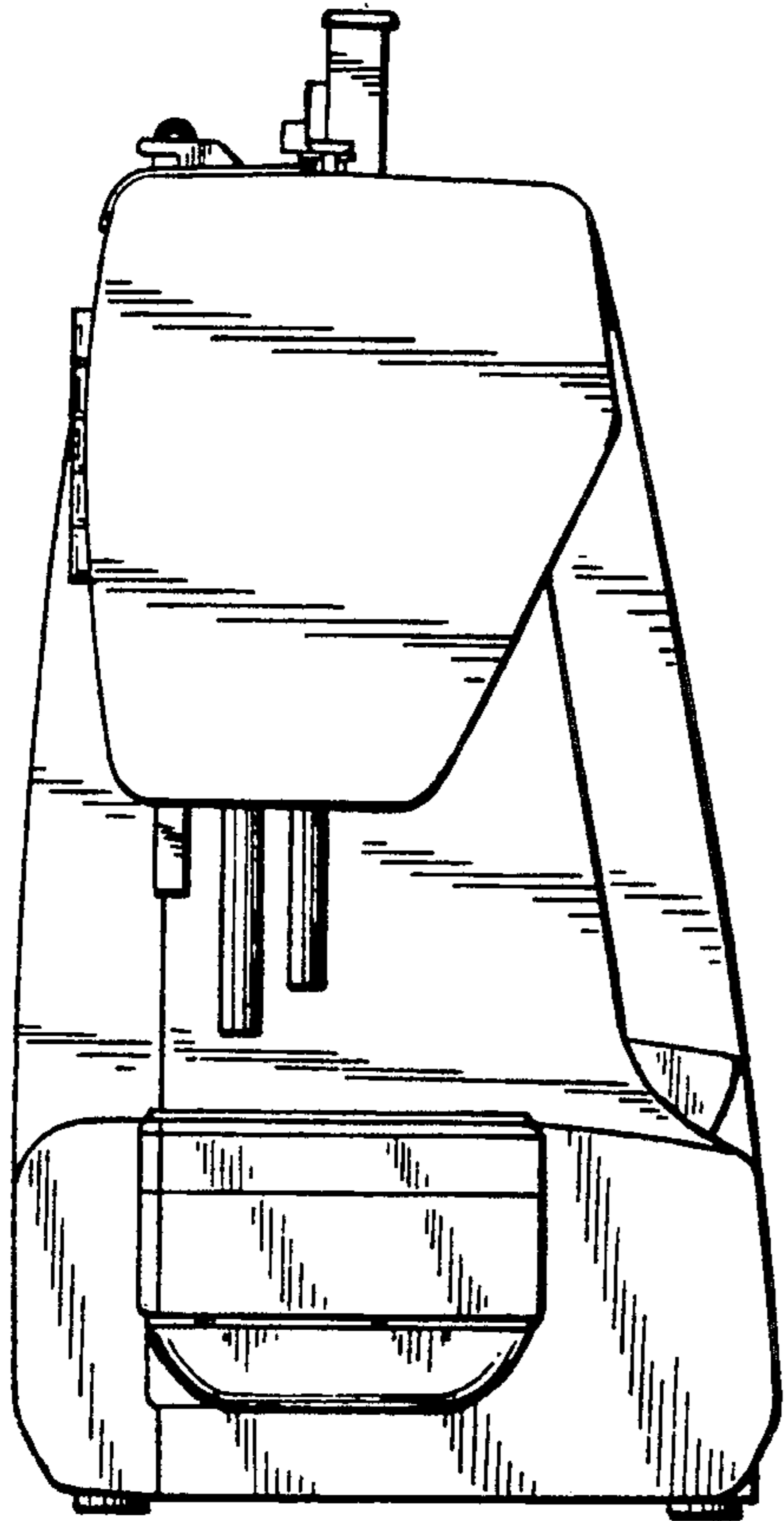


FIG. 6

