



US00D330709S

United States Patent [19]

[11] Patent Number: **Des. 330,709**

Favrou

[45] Date of Patent: **** Nov. 3, 1992**

[54] **MAGNETIC TAPE CARTRIDGE**

[56] **References Cited**

[75] Inventor: **John M. Favrou, Del Mar, Calif.**

U.S. PATENT DOCUMENTS

D. 315,900 4/1991 Iwata D14/114
D. 318,273 7/1991 Takaichi D14/121

[73] Assignee: **Eastman Kodak Company,
Rochester, N.Y.**

Primary Examiner—Terry A. Pfeffer
Attorney, Agent, or Firm—Dennis P. Monteith

[**] Term: **14 Years**

[57] CLAIM

The ornamental design for a magnetic tape cartridge, as shown and described.

[21] Appl. No.: **601,083**

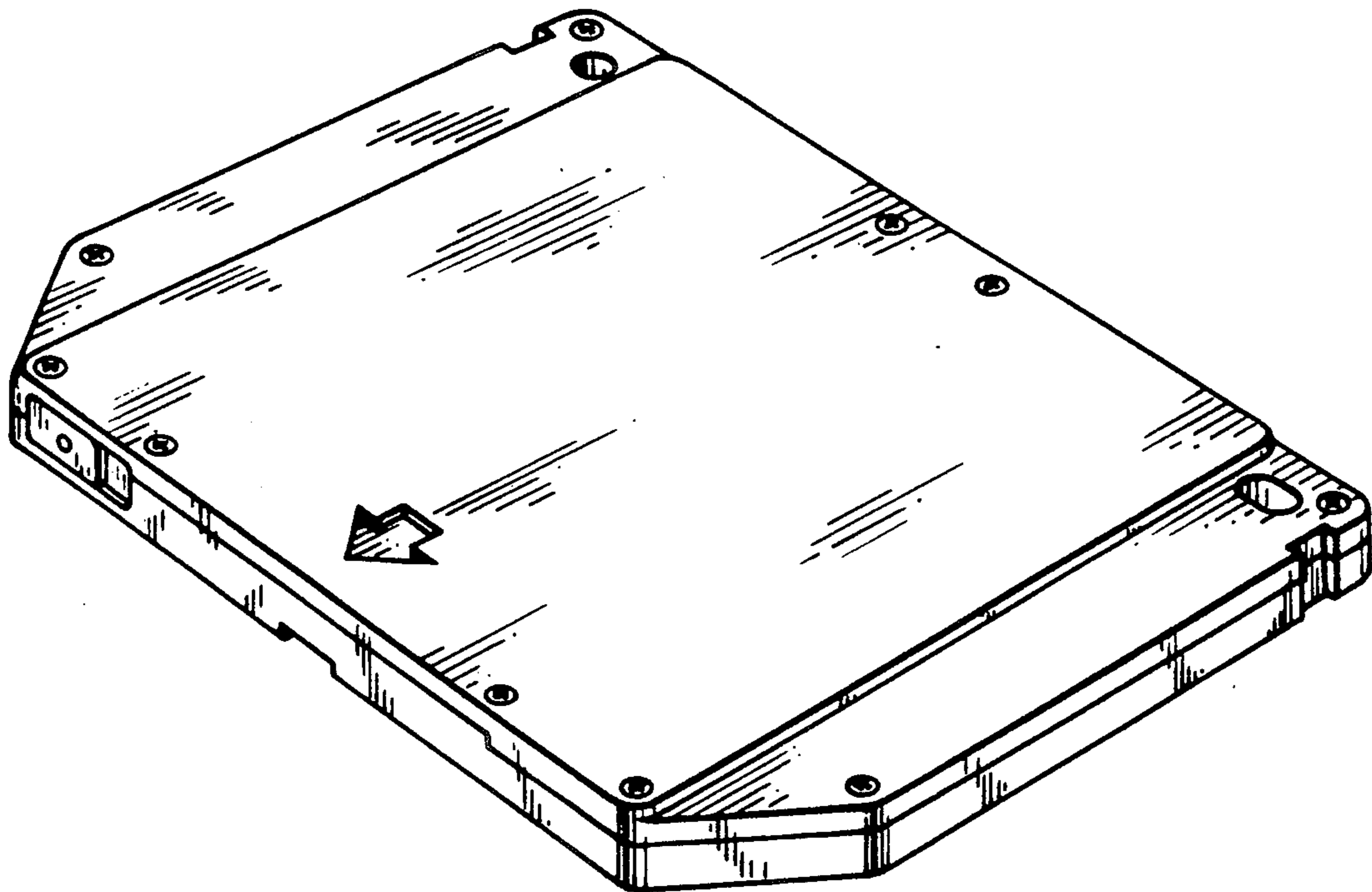
DESCRIPTION

[22] Filed: **Oct. 22, 1990**

[52] U.S. Cl. **D14/121**

[58] Field of Search D14/115, 114, 120-122;
242/71.8, 197-200; 360/132

FIG. 1 is a top, front, and right side perspective view of a magnetic tape cartridge, showing my new design; FIG. 2 is a bottom plan view thereof; FIG. 3 is a front elevation view thereof; FIG. 4 is a rear elevation view thereof; FIG. 5 is a left side elevation view thereof; and, FIG. 6 is a right side elevation view thereof.



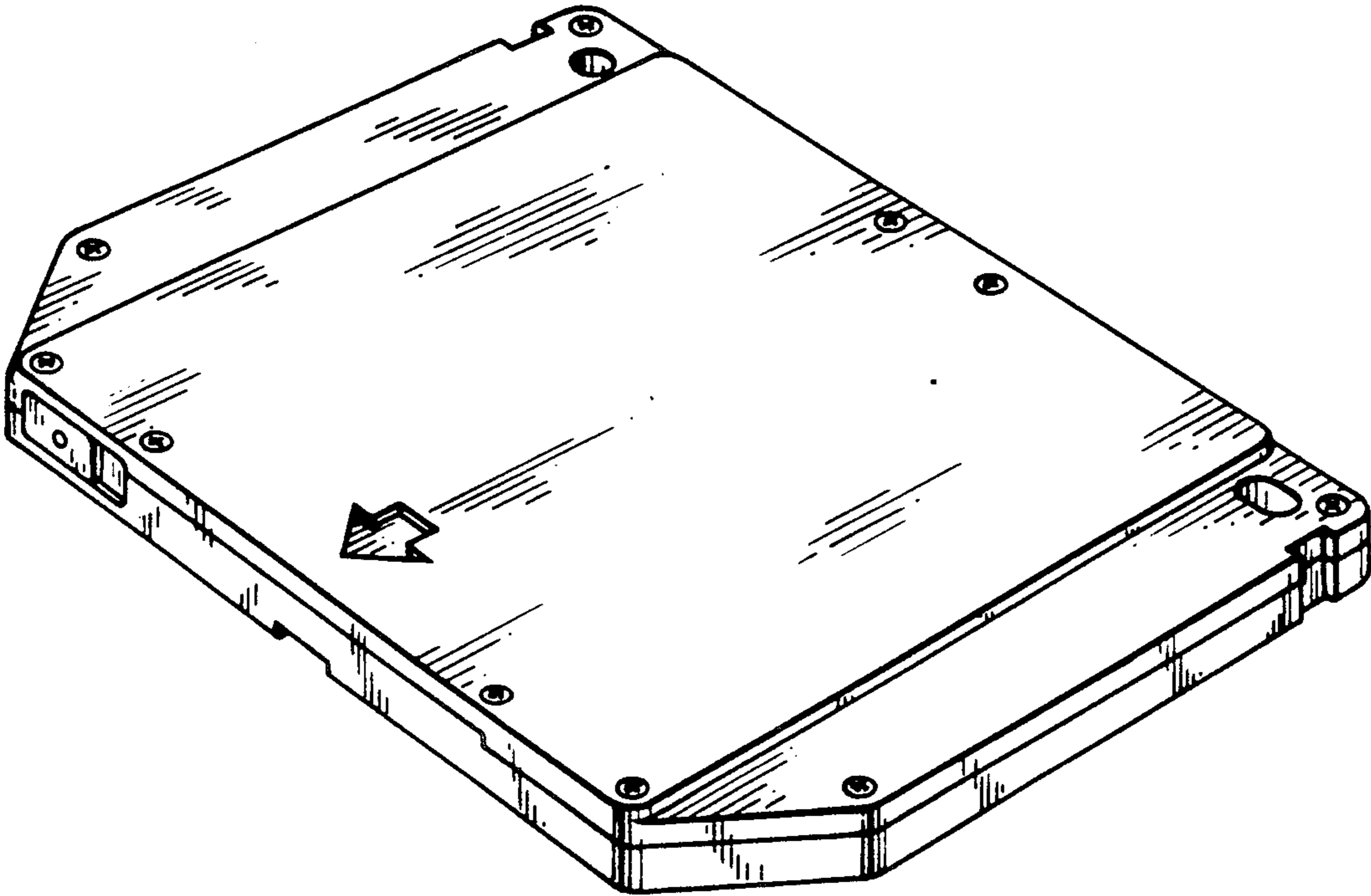


FIG. 1

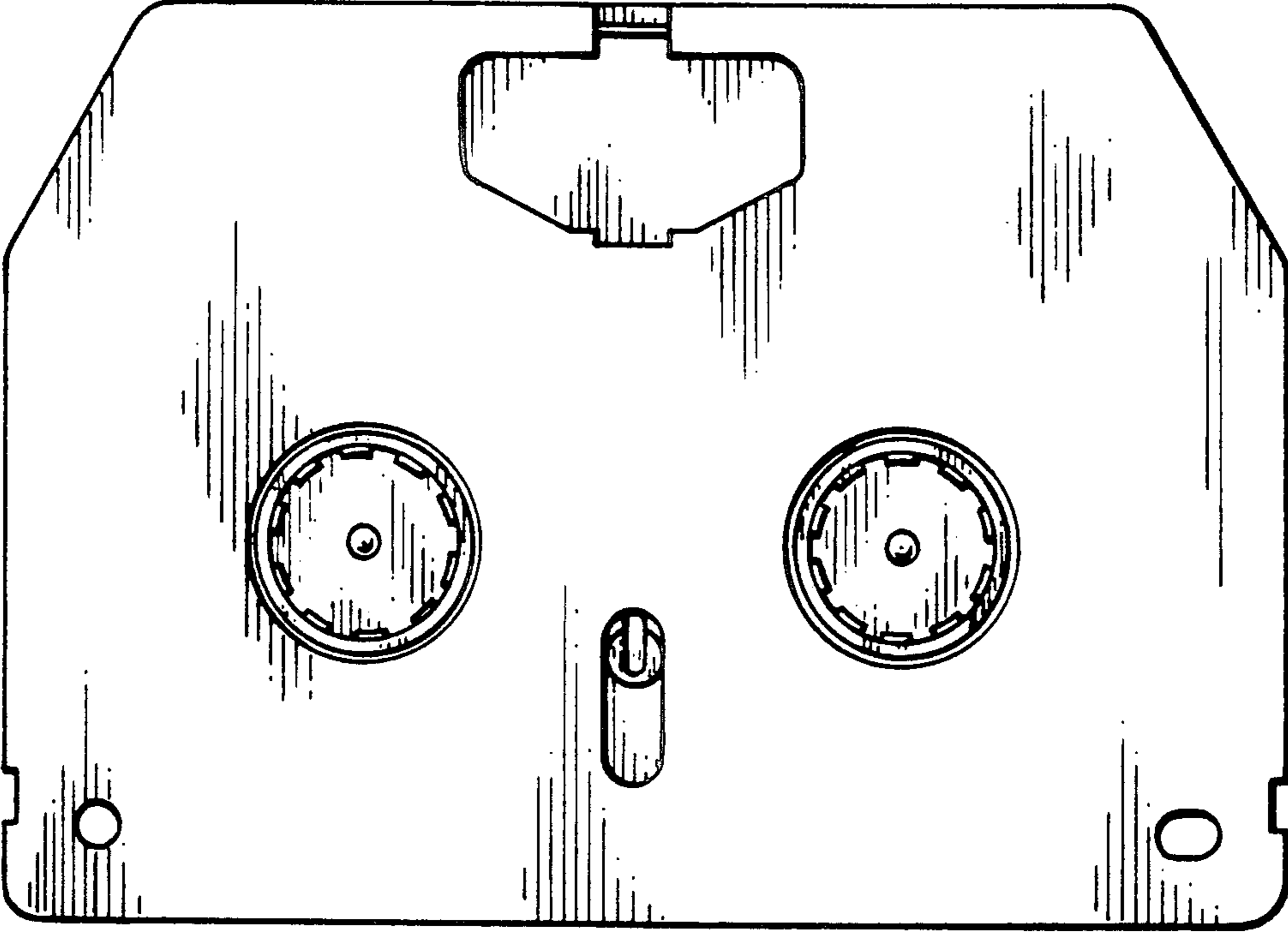


FIG. 2

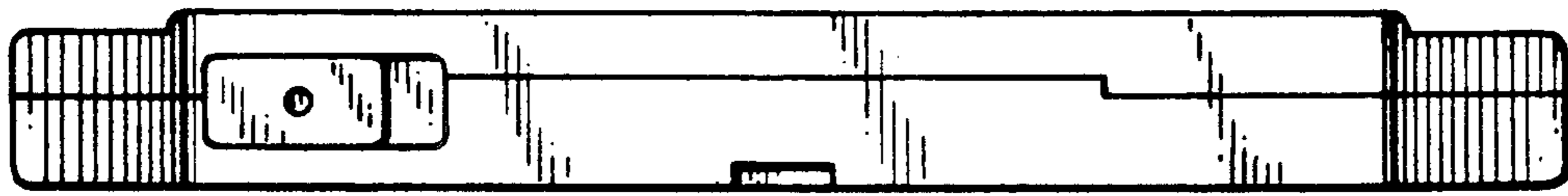


FIG. 3

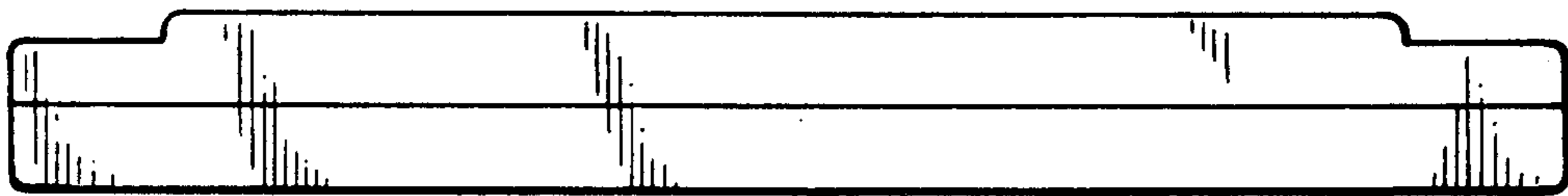


FIG. 4

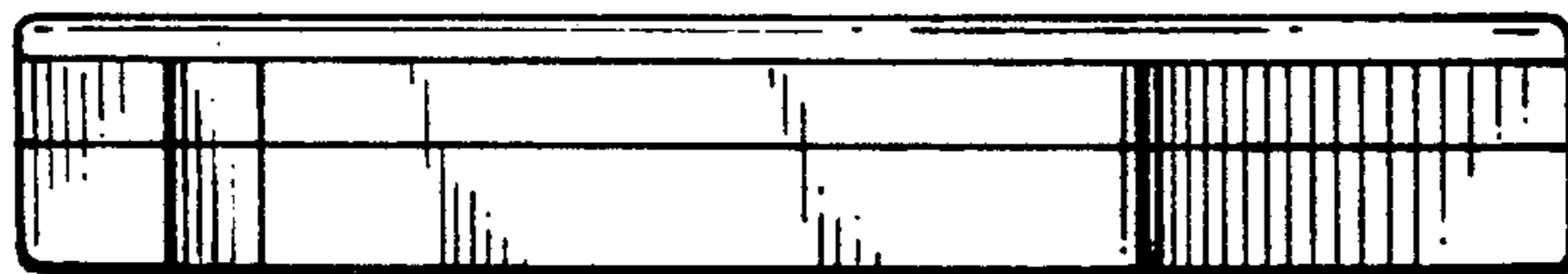


FIG. 5

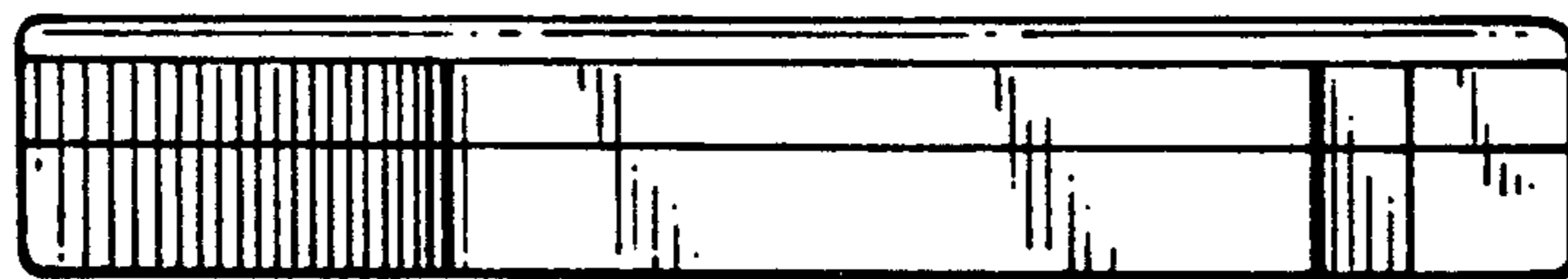


FIG. 6