



US00D330708S

United States Patent [19]

LaManna et al.

[11] Patent Number: **Des. 330,708**

[45] Date of Patent: **** Nov. 3, 1992**

[54] **BAR CODE SCANNER**
[75] Inventors: **Vincent T. LaManna, Webster; Dean S. White, Holcomb; L. Michael Hone, Webster, all of N.Y.**

D. 309,654 7/1990 Roman D23/226
D. 317,154 5/1991 Augeier D14/116
3,947,817 3/1976 Requa et al. 235/454 X
4,603,262 7/1986 Eastman et al. 250/566
4,896,026 1/1990 Krichever et al. 235/454 X

[73] Assignee: **PSC Corp., Webster, N.Y.**

Primary Examiner—Susan J. Lucas
Assistant Examiner—M. H. Tung
Attorney, Agent, or Firm—Martin Lukacher

[**] Term: **14 Years**

[21] Appl. No.: **721,371**

[57] **CLAIM**

[22] Filed: **Jun. 24, 1991**

The ornamental design for a bar code scanner, as shown and described.

[52] U.S. Cl. **D14/116**

[58] Field of Search D14/100, 114; 235/375, 235/378, 385, 454, 462, 472, 486; 354/80-82; 382/58-69; 250/203.1, 216, 566, 568; D26/37, 45, 50; D23/223, 229, 226

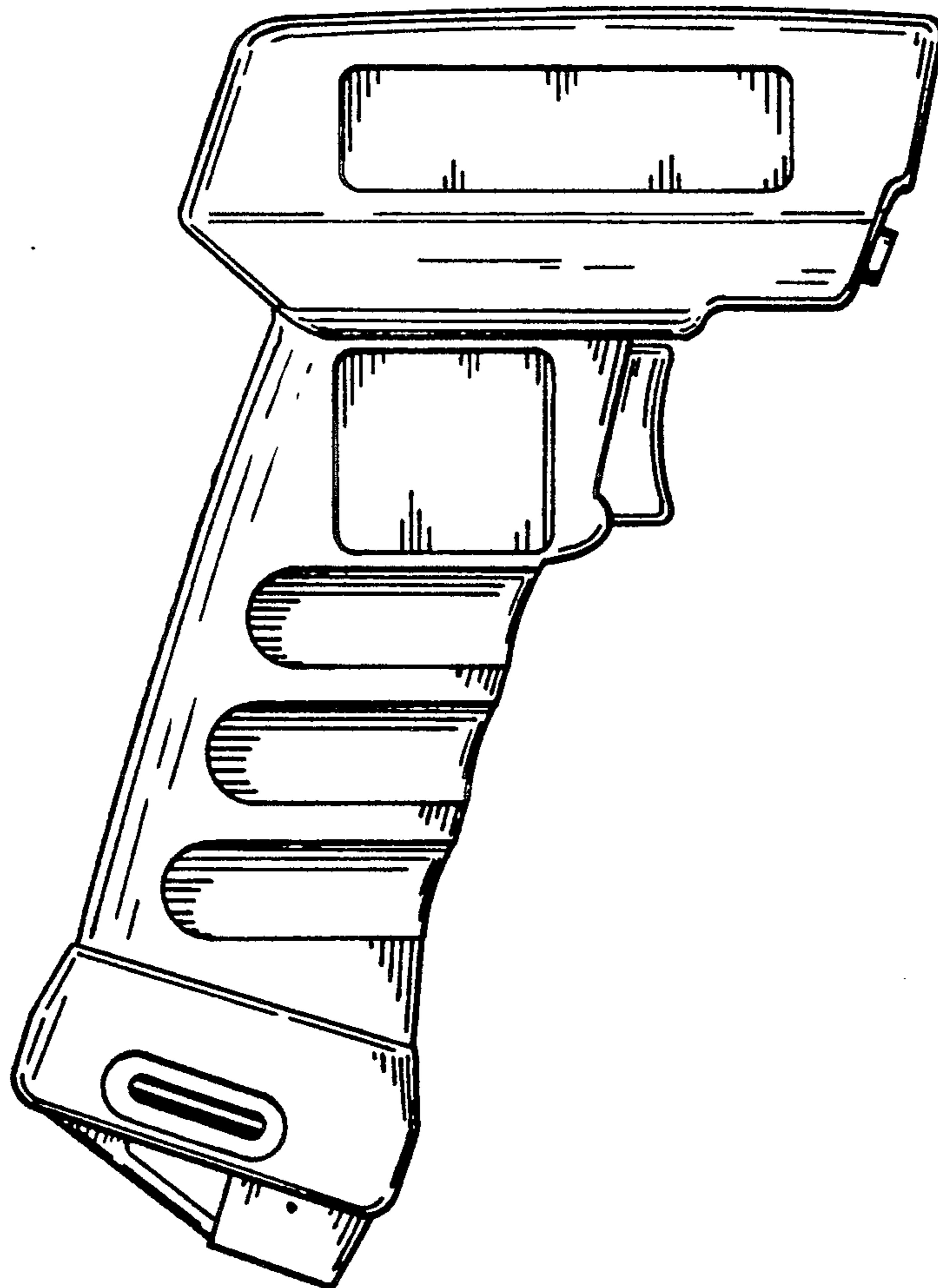
DESCRIPTION

FIG. 1 is a right side elevational view of a bar code scanner showing our new design;
FIG. 2 is a front elevational view thereof;
FIG. 3 is a left side elevational view thereof;
FIG. 4 is a rear elevational view thereof;
FIG. 5 is a top plan view thereof; and,
FIG. 6 is a bottom plan view thereof.

[56] **References Cited**

U.S. PATENT DOCUMENTS

D. 278,084 3/1985 Parker et al. D26/45



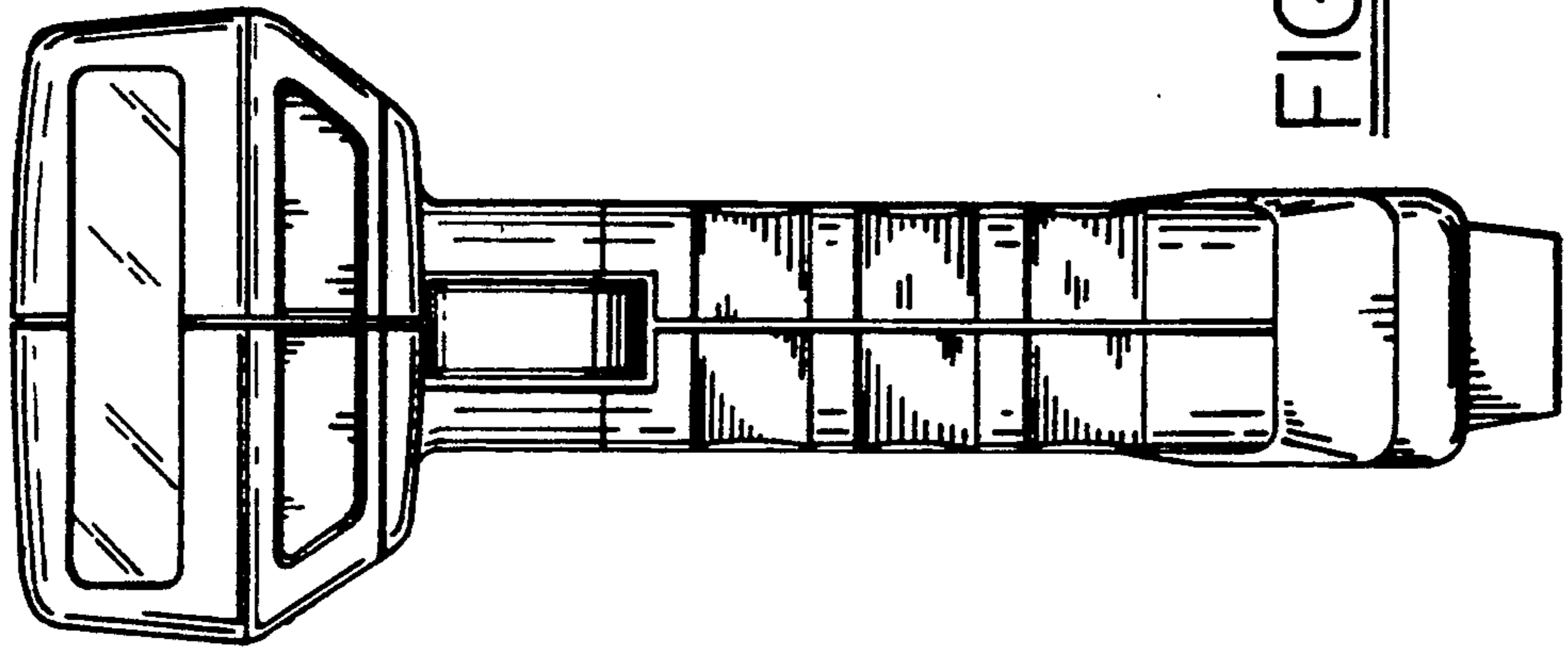


FIG. 2

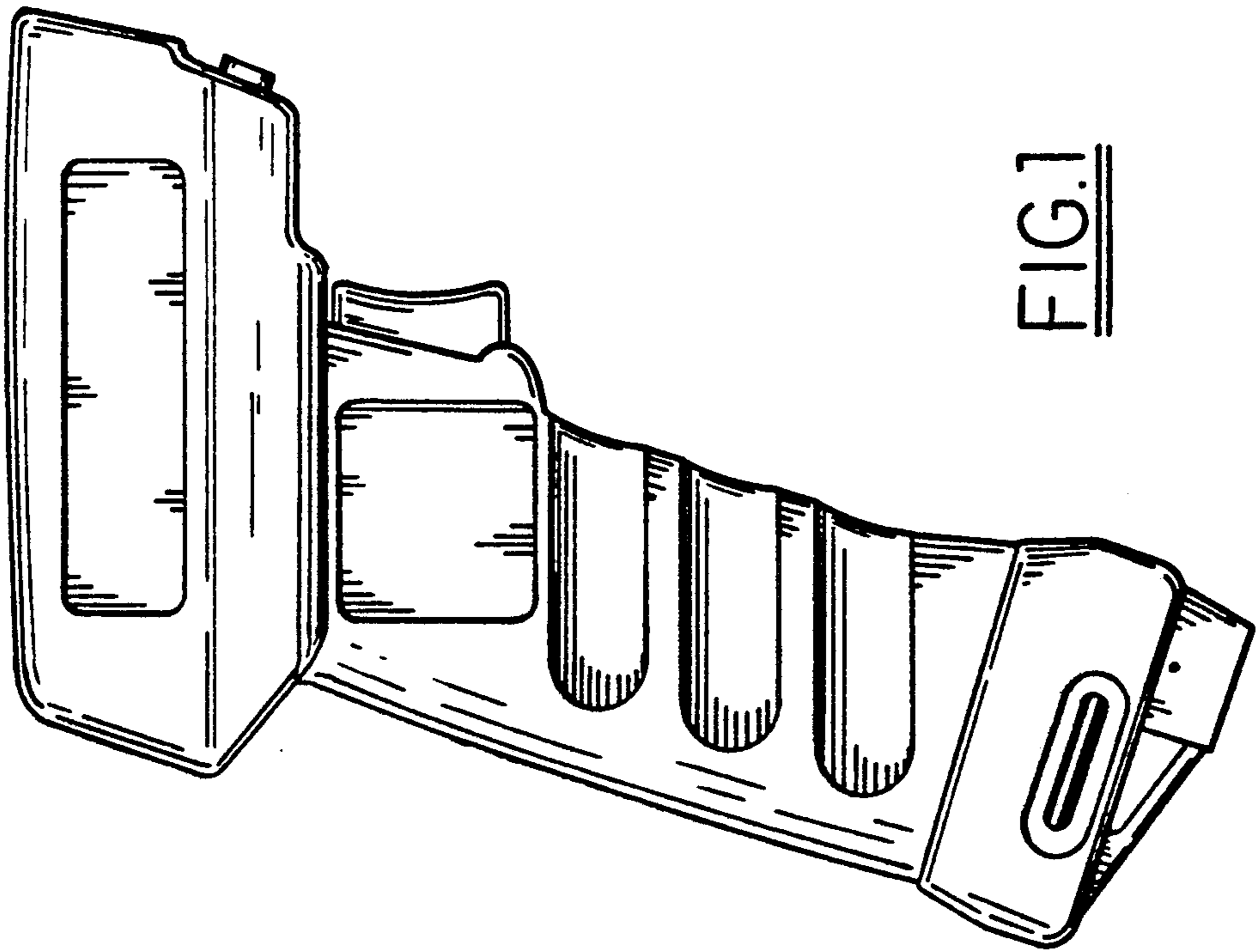


FIG. 1

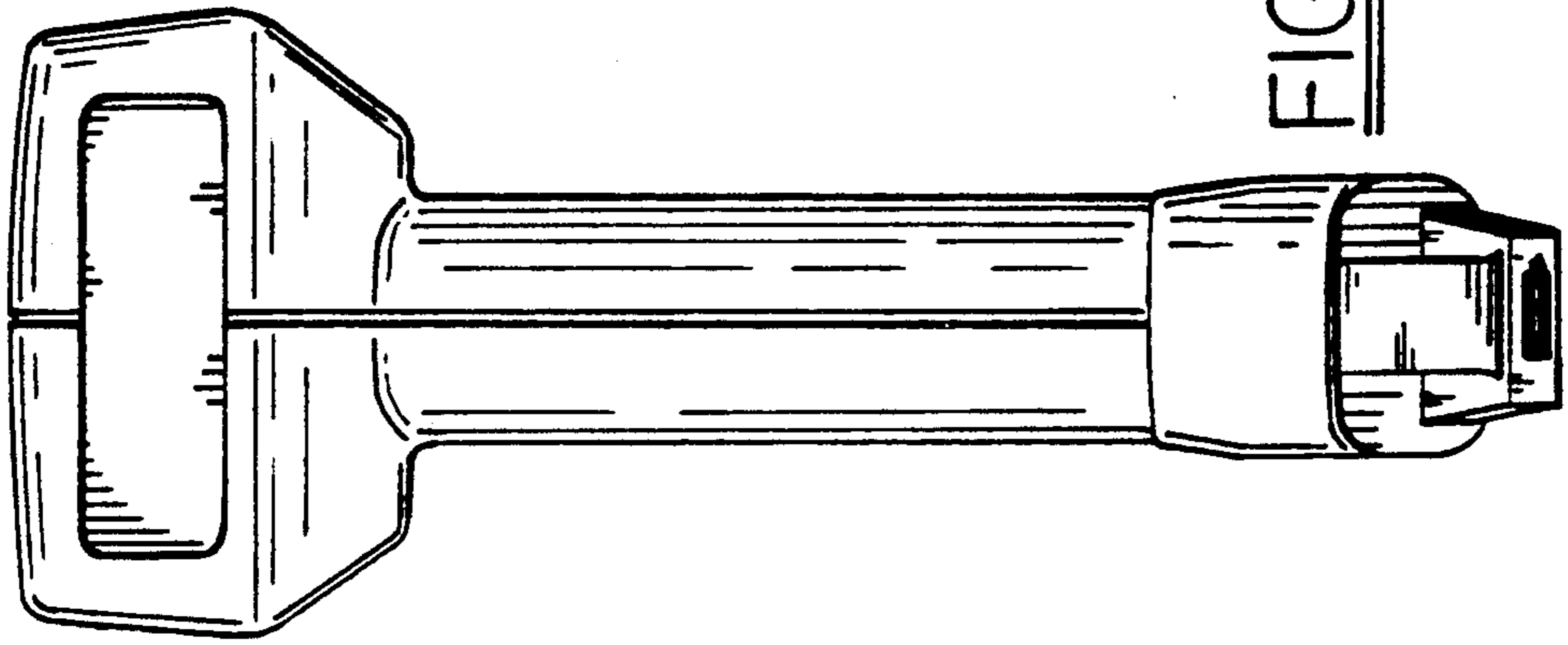


FIG. 4

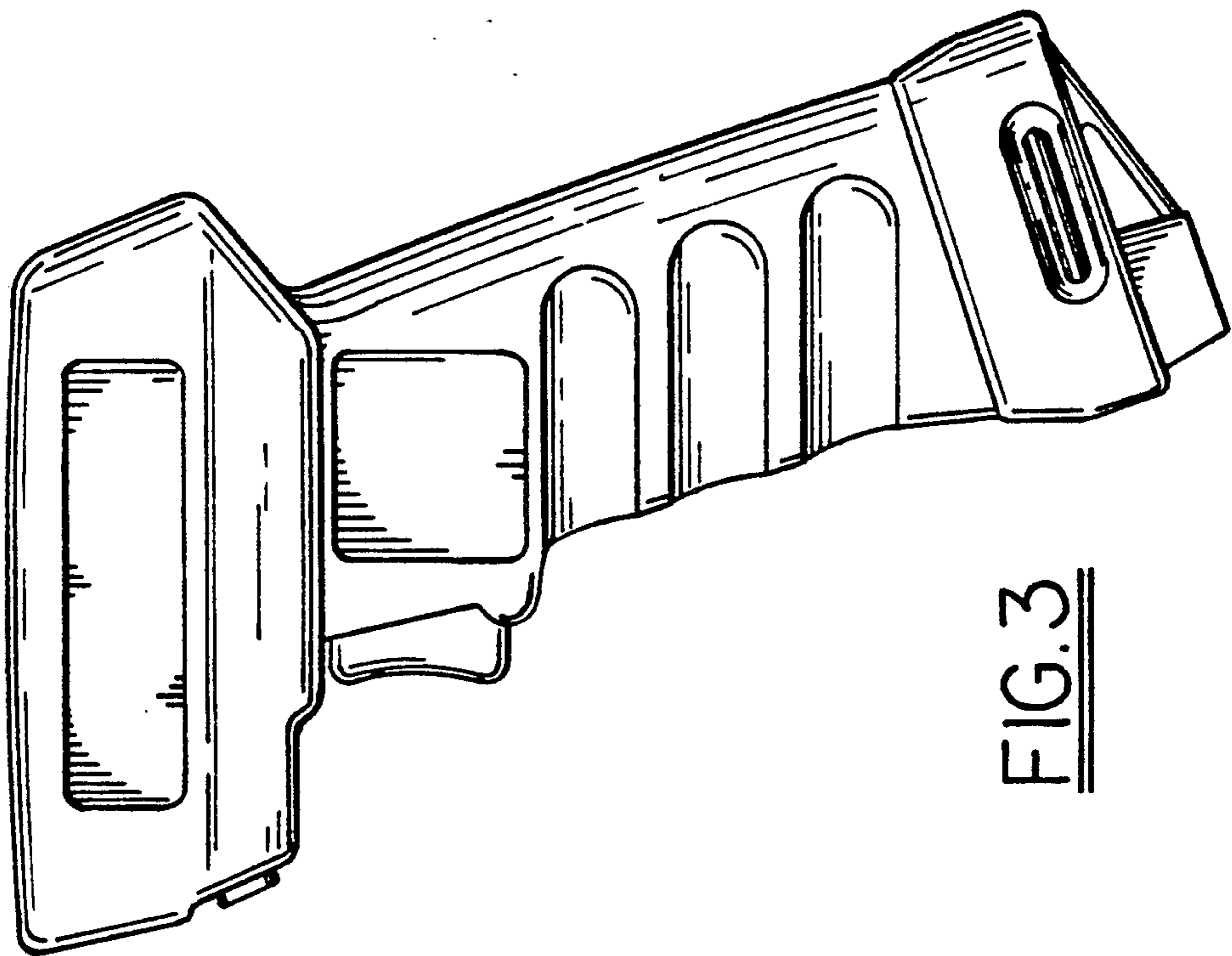


FIG. 3

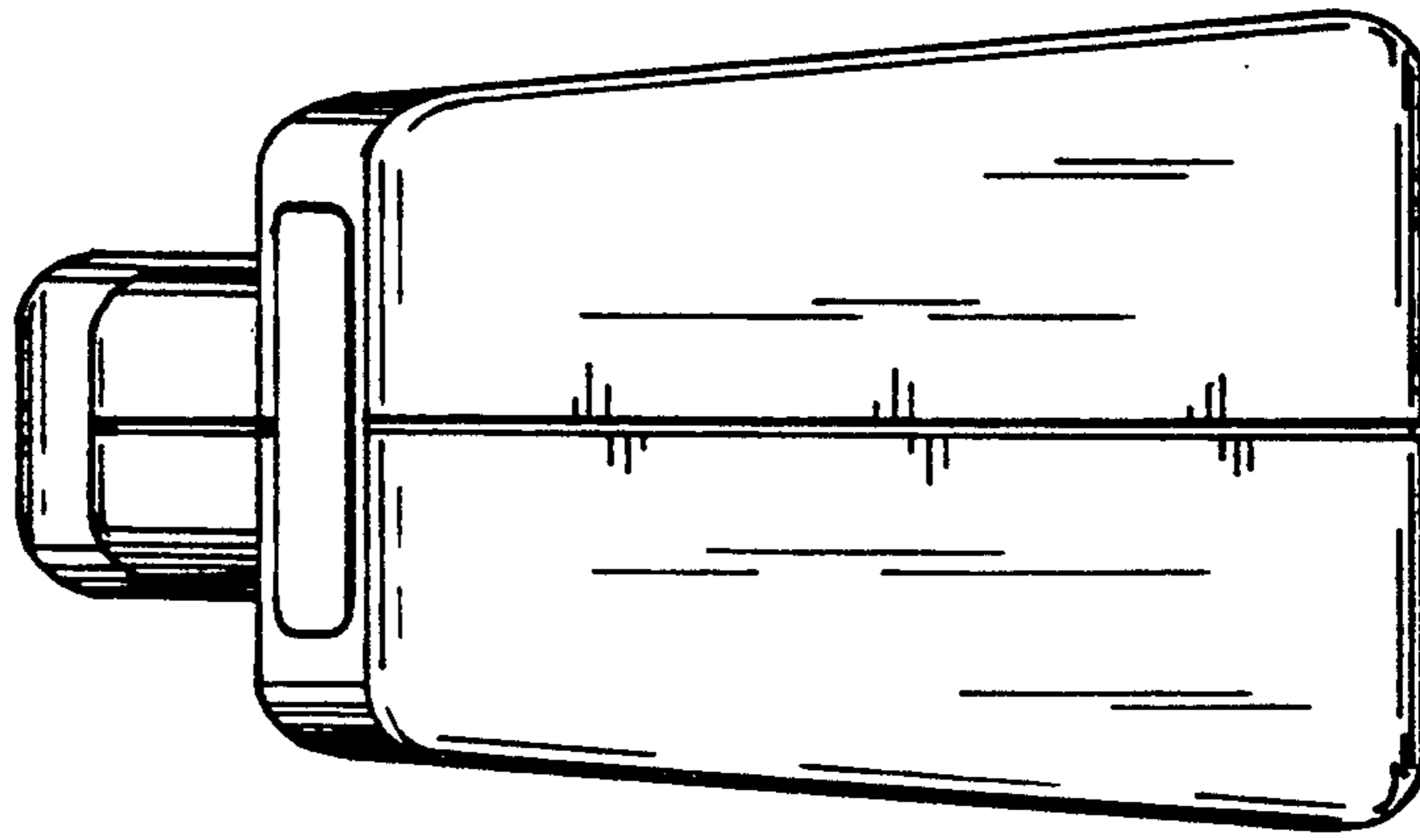


FIG. 5

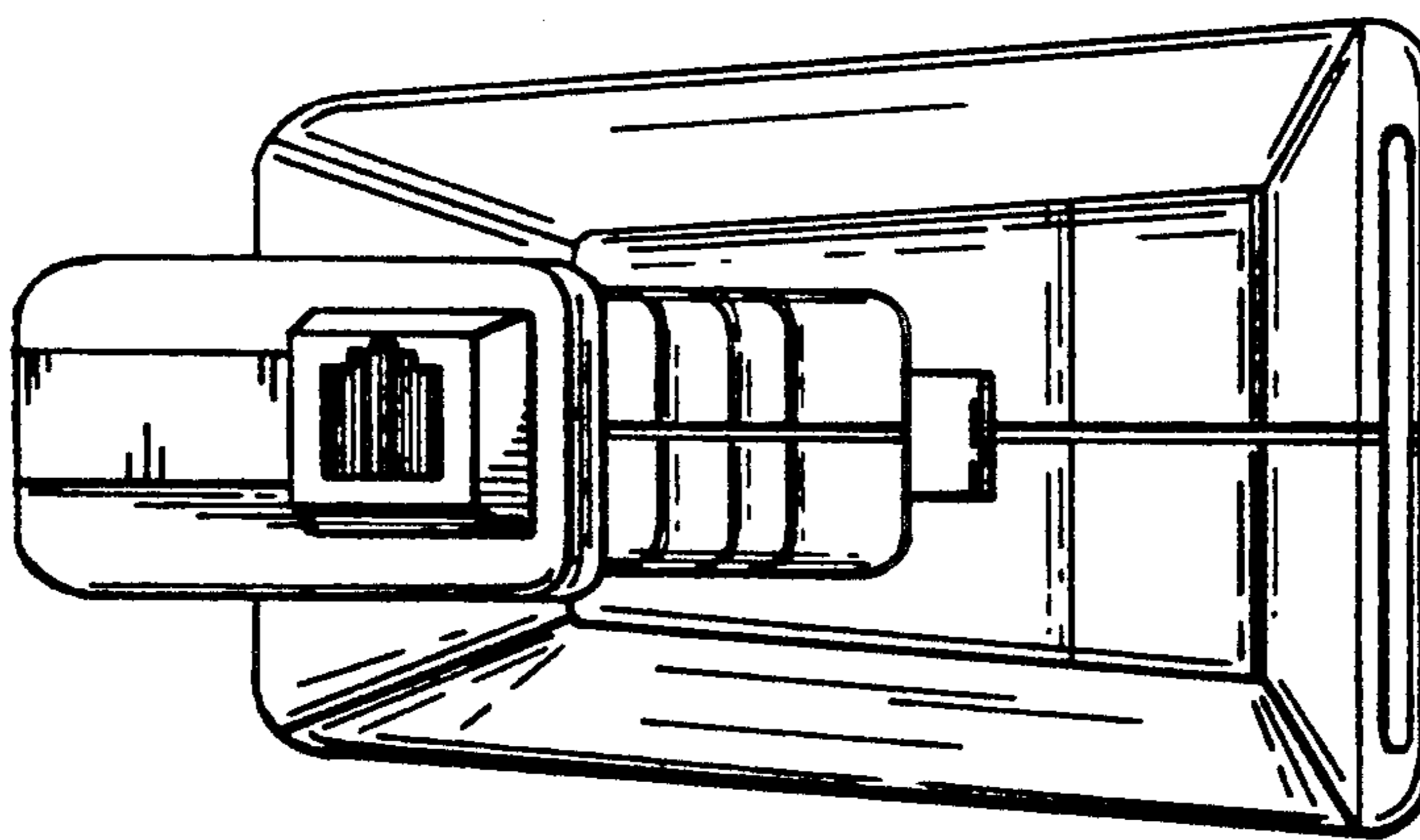


FIG. 6