



US00D330706S

United States Patent [19]

San-Yih

[11] Patent Number: **Des. 330,706**

[45] Date of Patent: **** Nov. 3, 1992**

[54] **COMPUTER MOUSE**

[76] Inventor: **Cheng San-Yih**, 4 Lane 83 Guei-Suei Street, Taipei, Taiwan

[**] Term: **14 Years**

[21] Appl. No.: **511,543**

[22] Filed: **Apr. 20, 1990**

[52] U.S. Cl. **D14/114**

[58] Field of Search D14/100, 101, 114; D21/13, 48; D13/158; 273/148 B; 200/5 A, 5 R, 6 A, 6 R; 74/471 XY; 178/18, 19; 340/707, 709, 710

[56] **References Cited**

U.S. PATENT DOCUMENTS

- D. 301,142 5/1989 Chu D14/114
- D. 305,649 1/1990 Lin D14/114
- D. 306,017 2/1990 Shulman et al. D14/114
- D. 308,967 7/1990 Roth D14/114

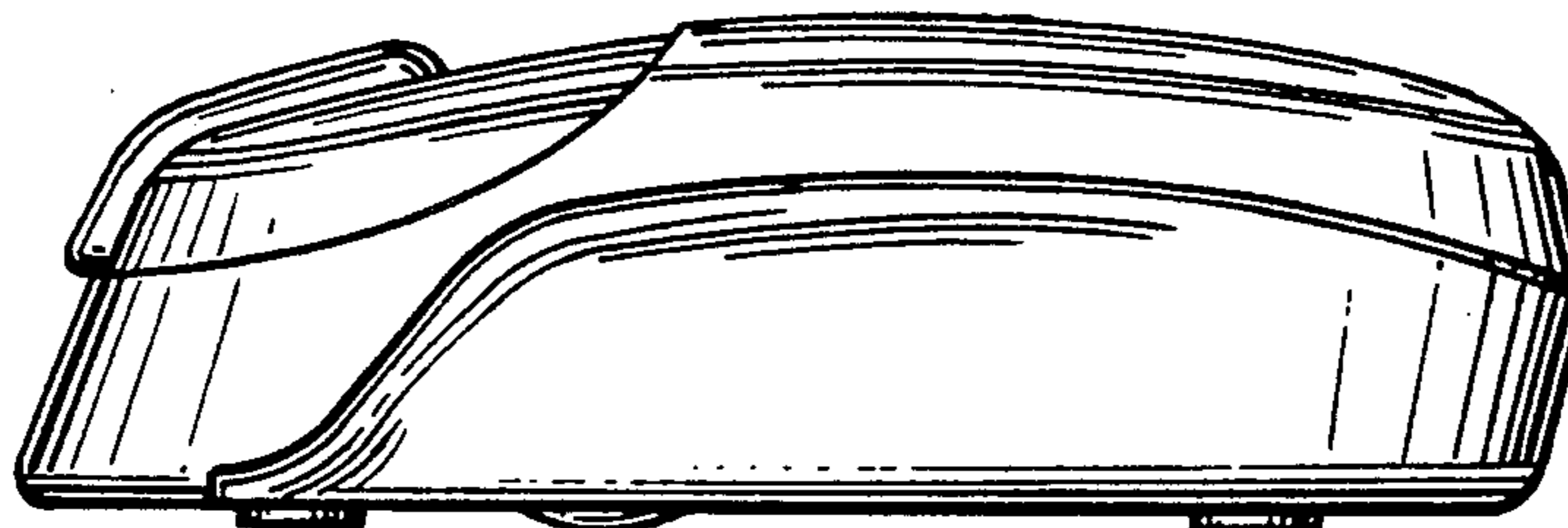
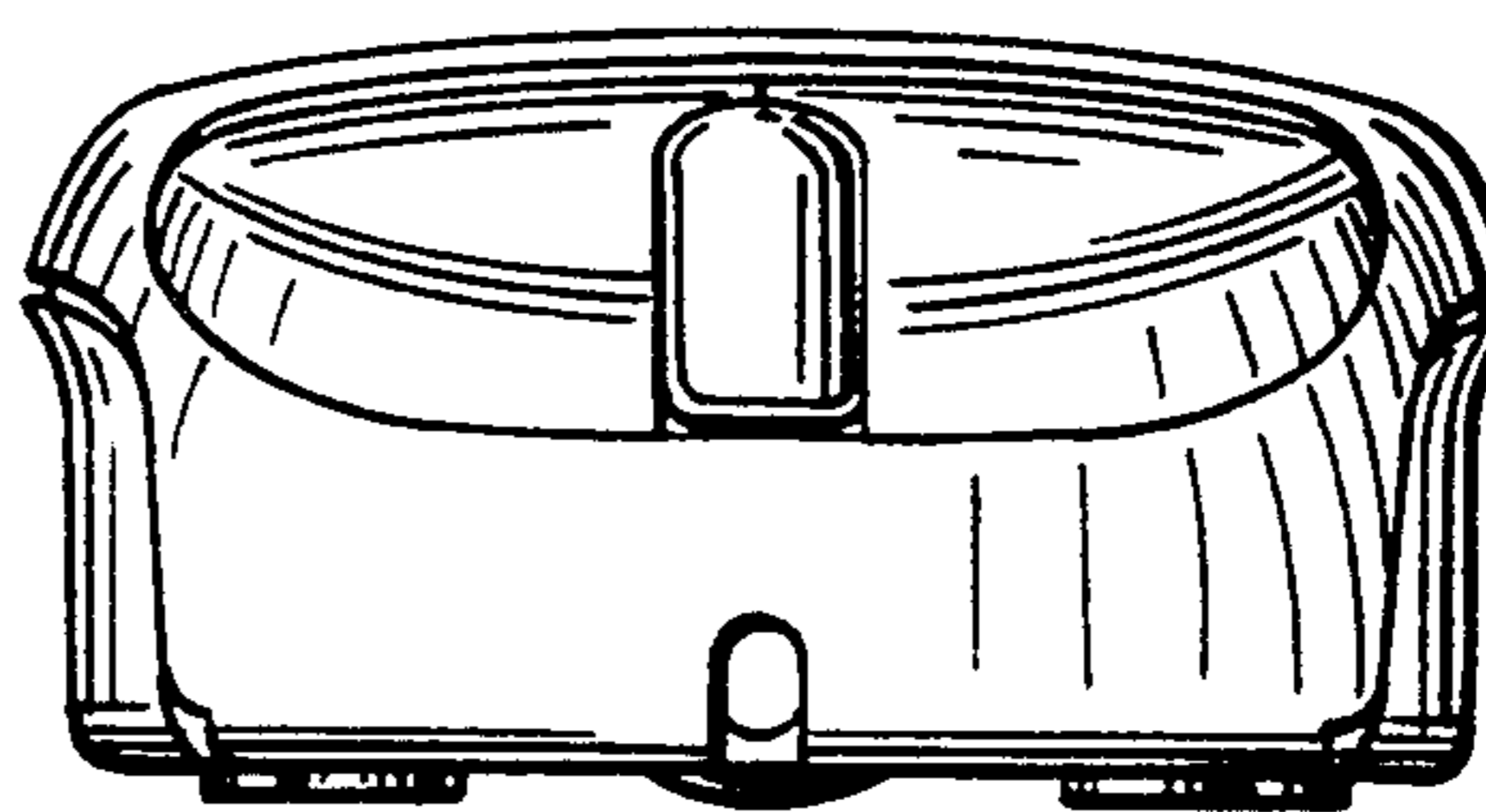
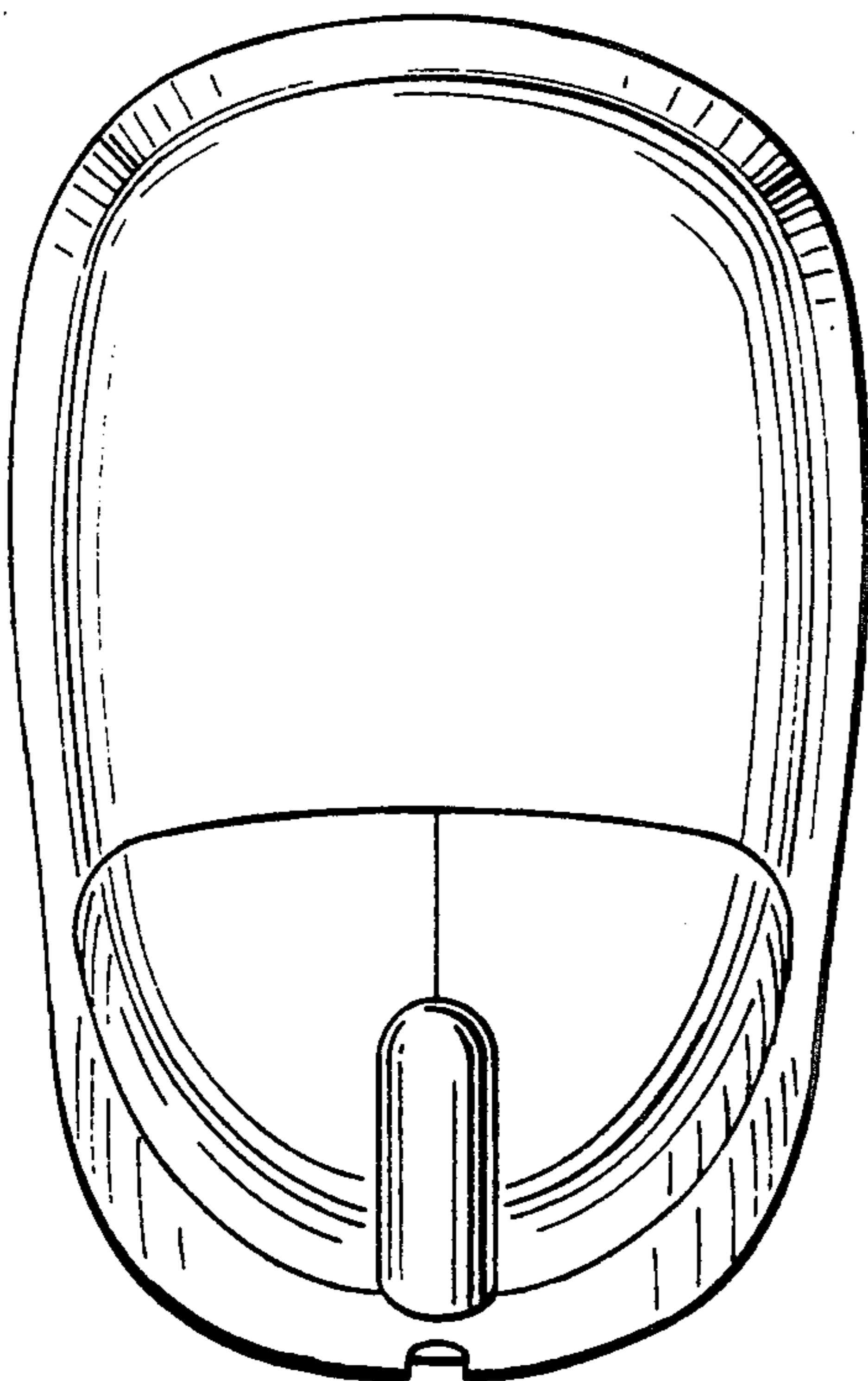
Primary Examiner—Wallace R. Burke
Assistant Examiner—Freda S. Nunn
Attorney, Agent, or Firm—Michael J. Lennon

[57] **CLAIM**

The ornamental design for a computer mouse, as shown and described.

DESCRIPTION

FIG. 1 is a top plan view of a computer mouse showing my new design;
FIG. 2 is a front elevational view thereof;
FIG. 3 is a side elevational view thereof, the opposite side being identical in appearance;
FIG. 4 is a rear elevational view thereof;
FIG. 5 is a bottom plan view thereof; and,
FIGS. 6-20 are respectively top plan front side and rear elevational view and bottom plan view of a second, third and fourth embodiment of the design.
The undisclosed opposite side elevational view of the second, third and fourth embodiments is identical in appearance to the side shown.



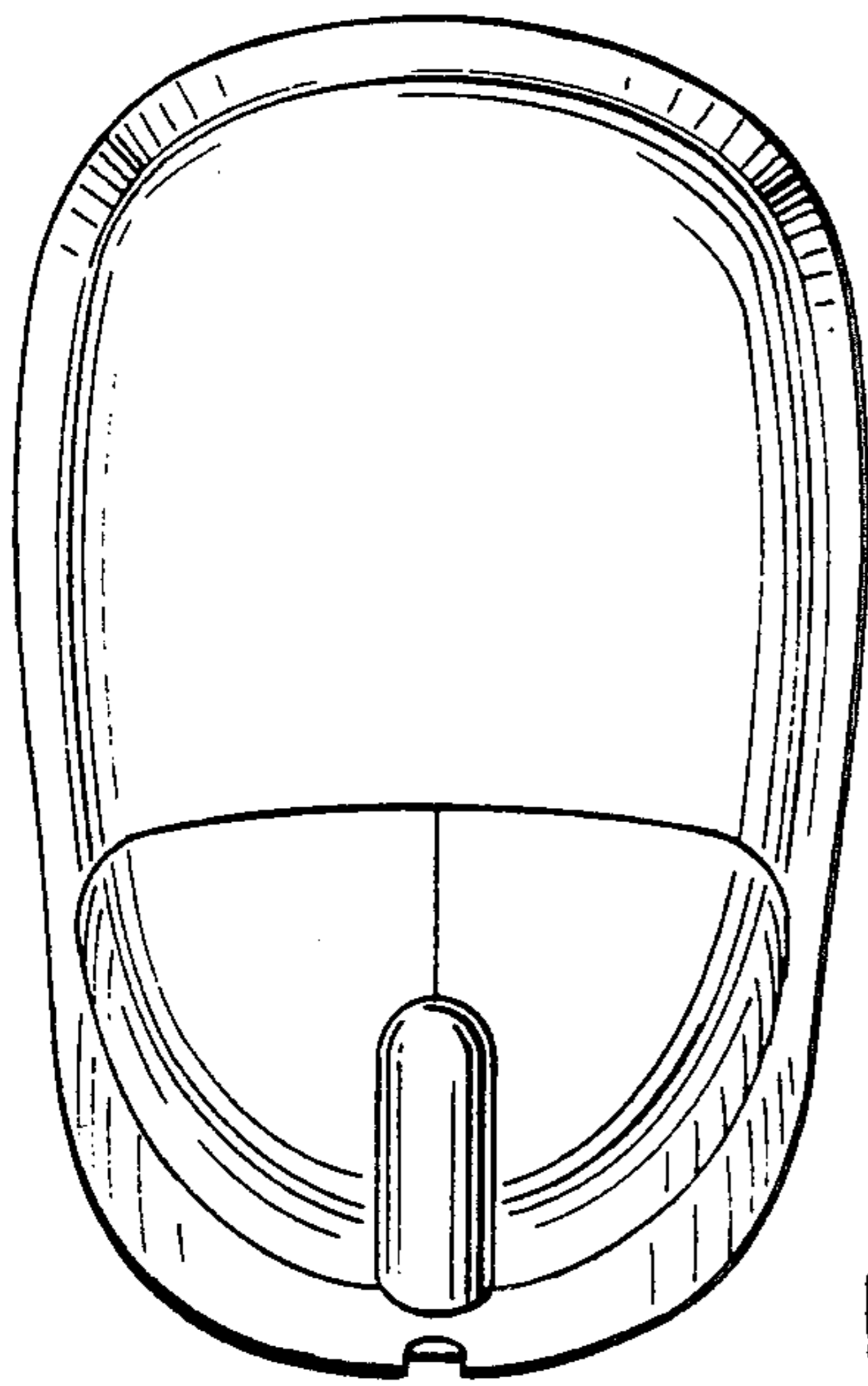


FIG. 1

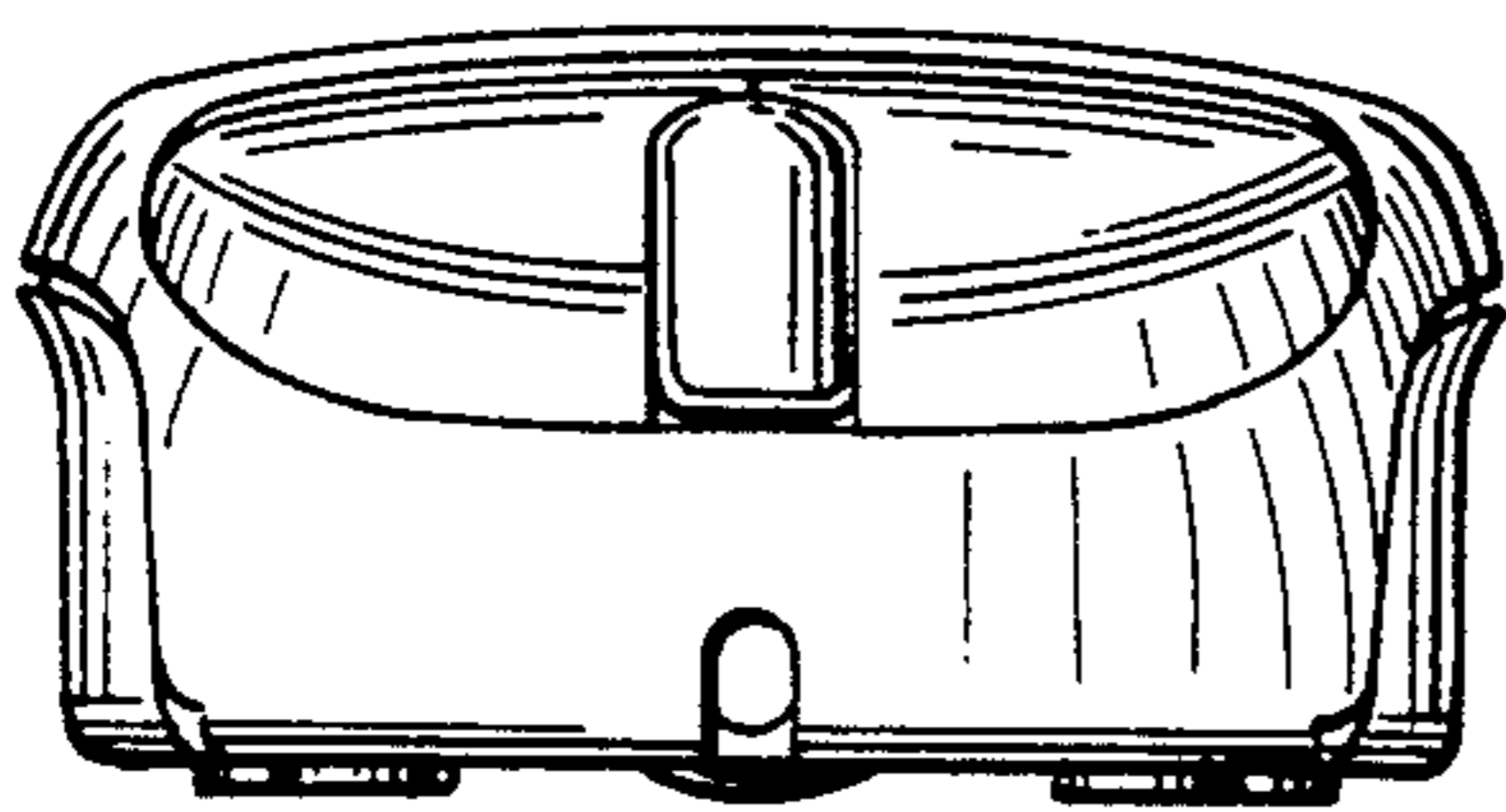


FIG. 2

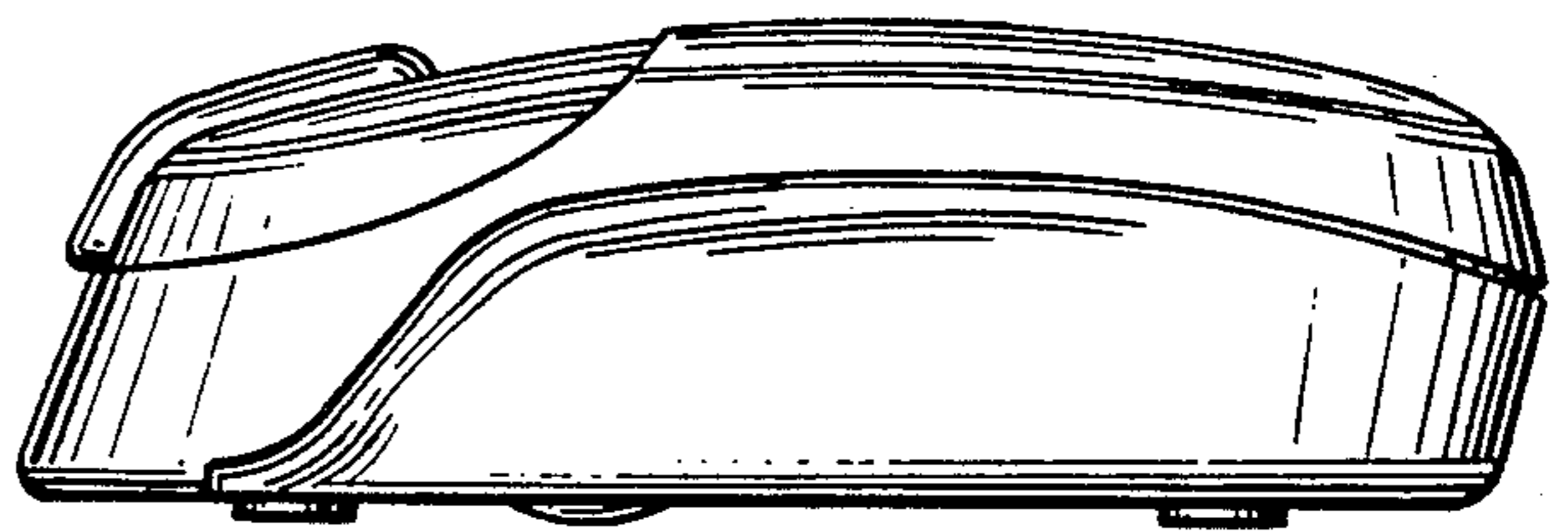


FIG. 3

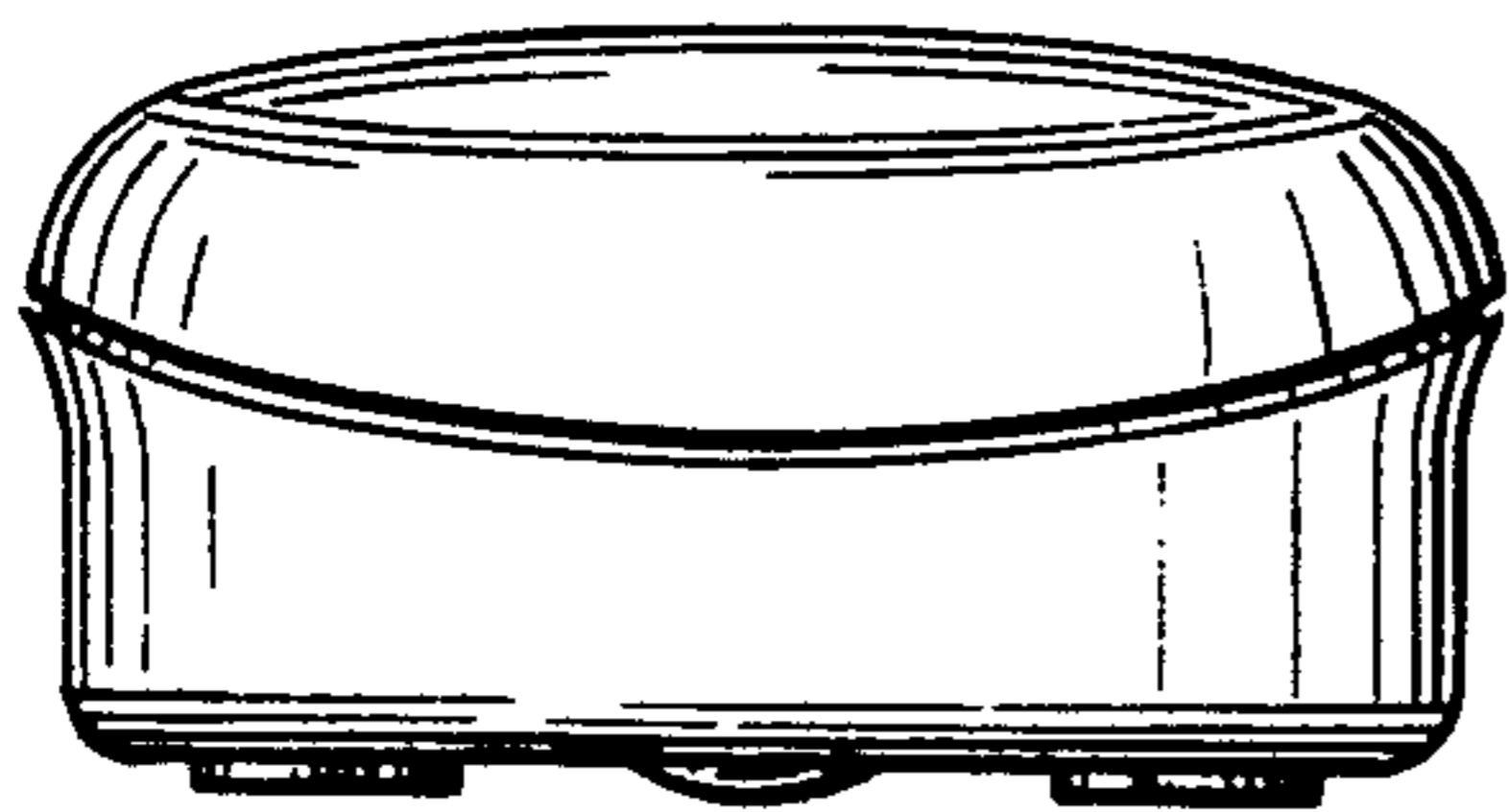


FIG. 4

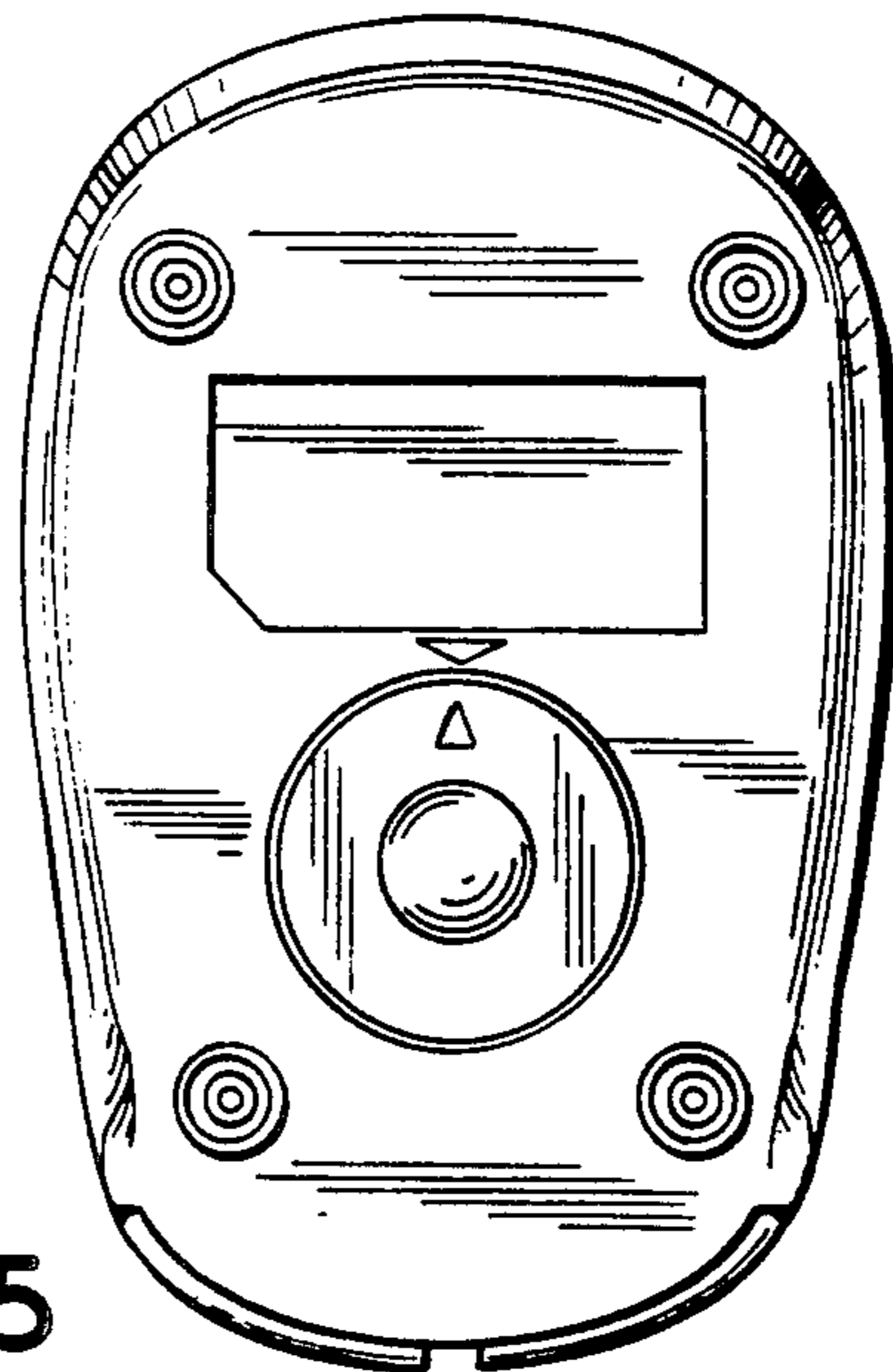


FIG. 5

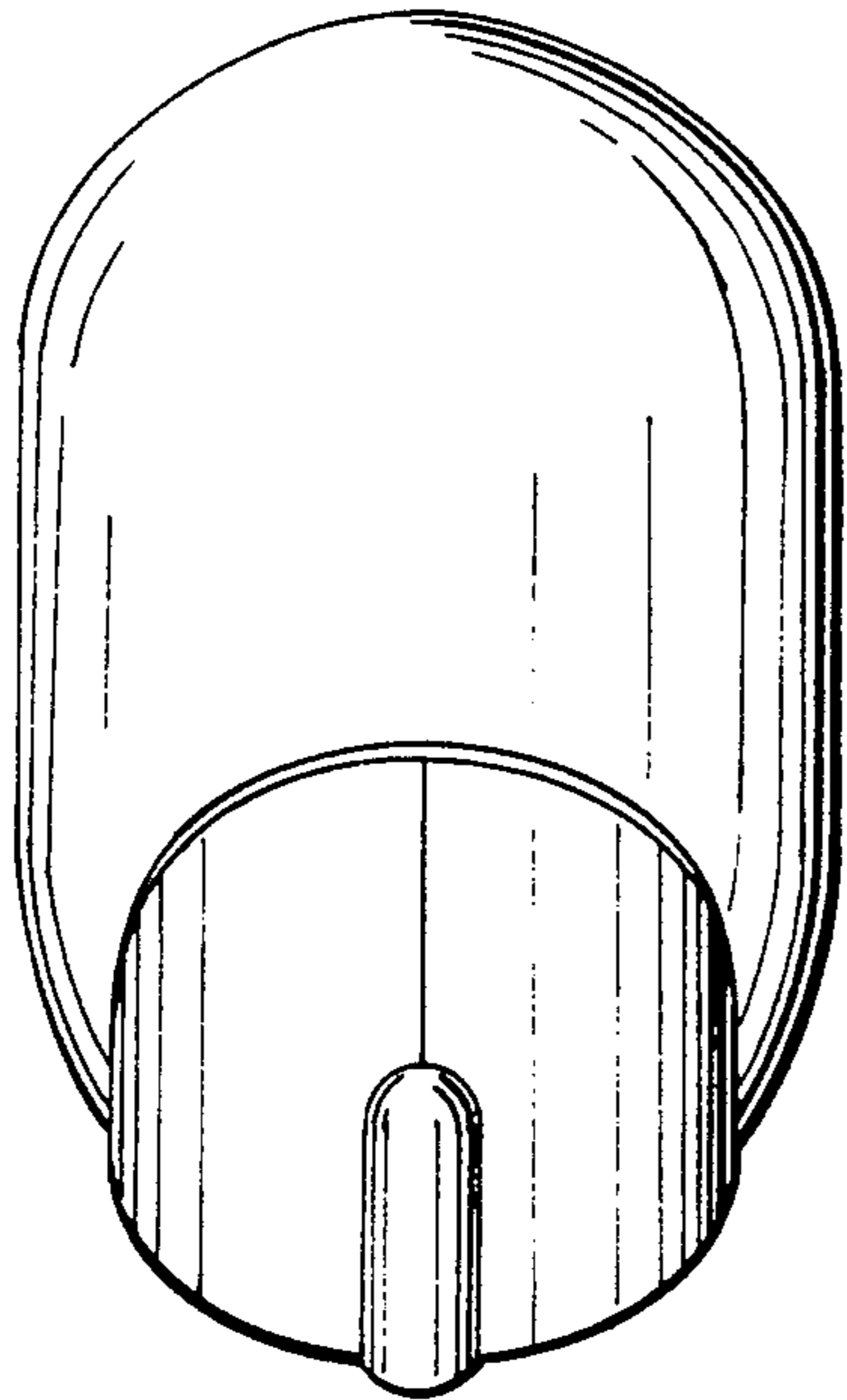


FIG. 6

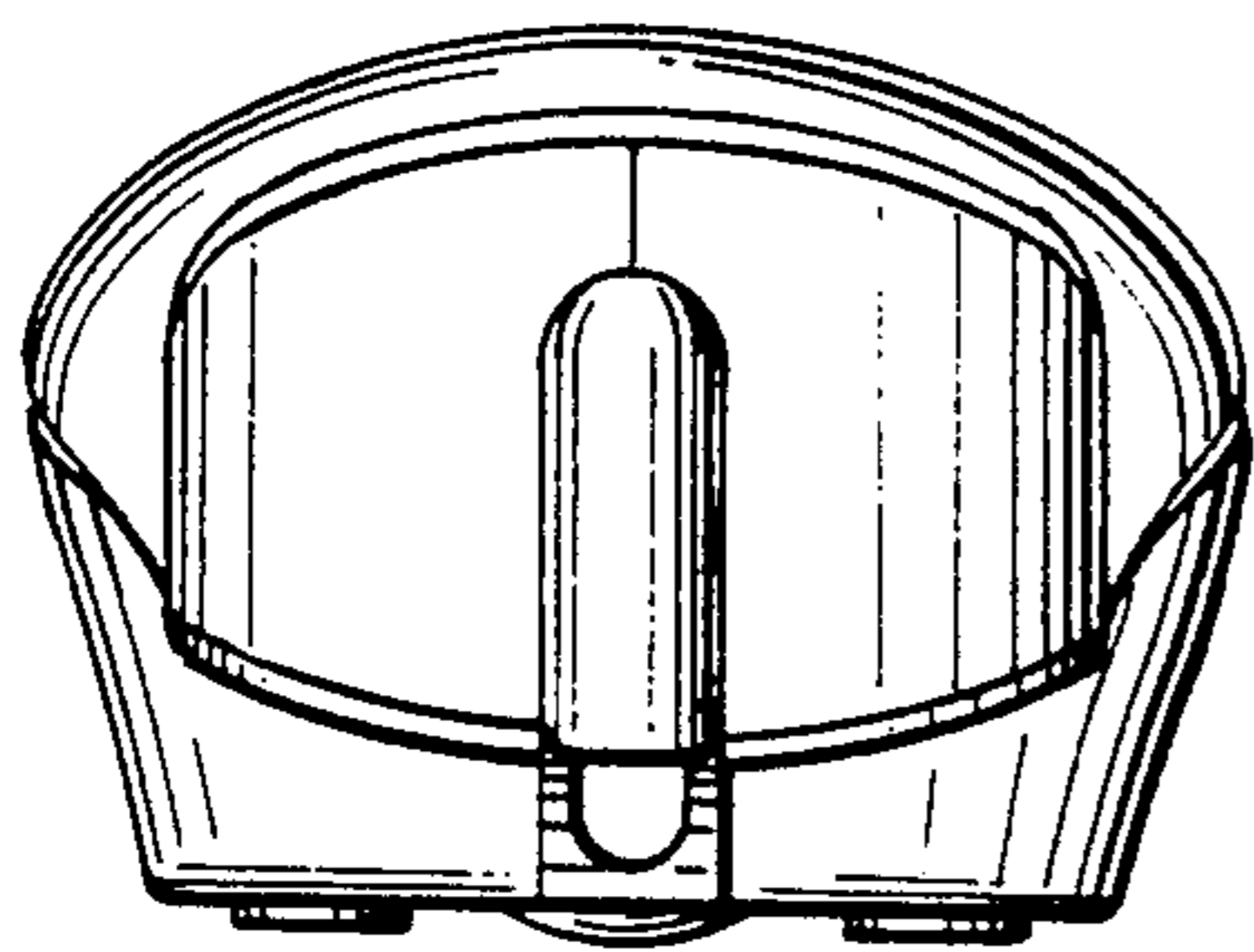


FIG. 7

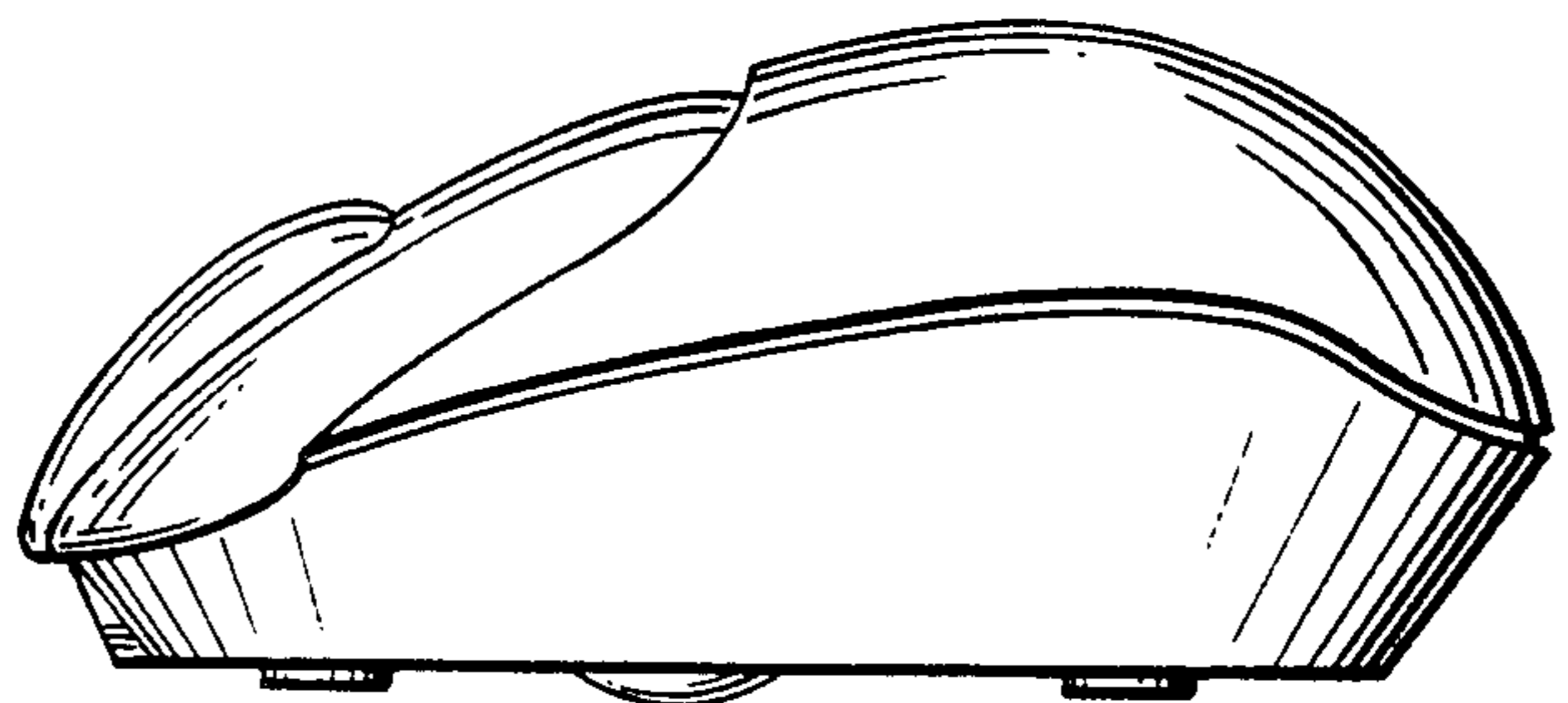


FIG. 8

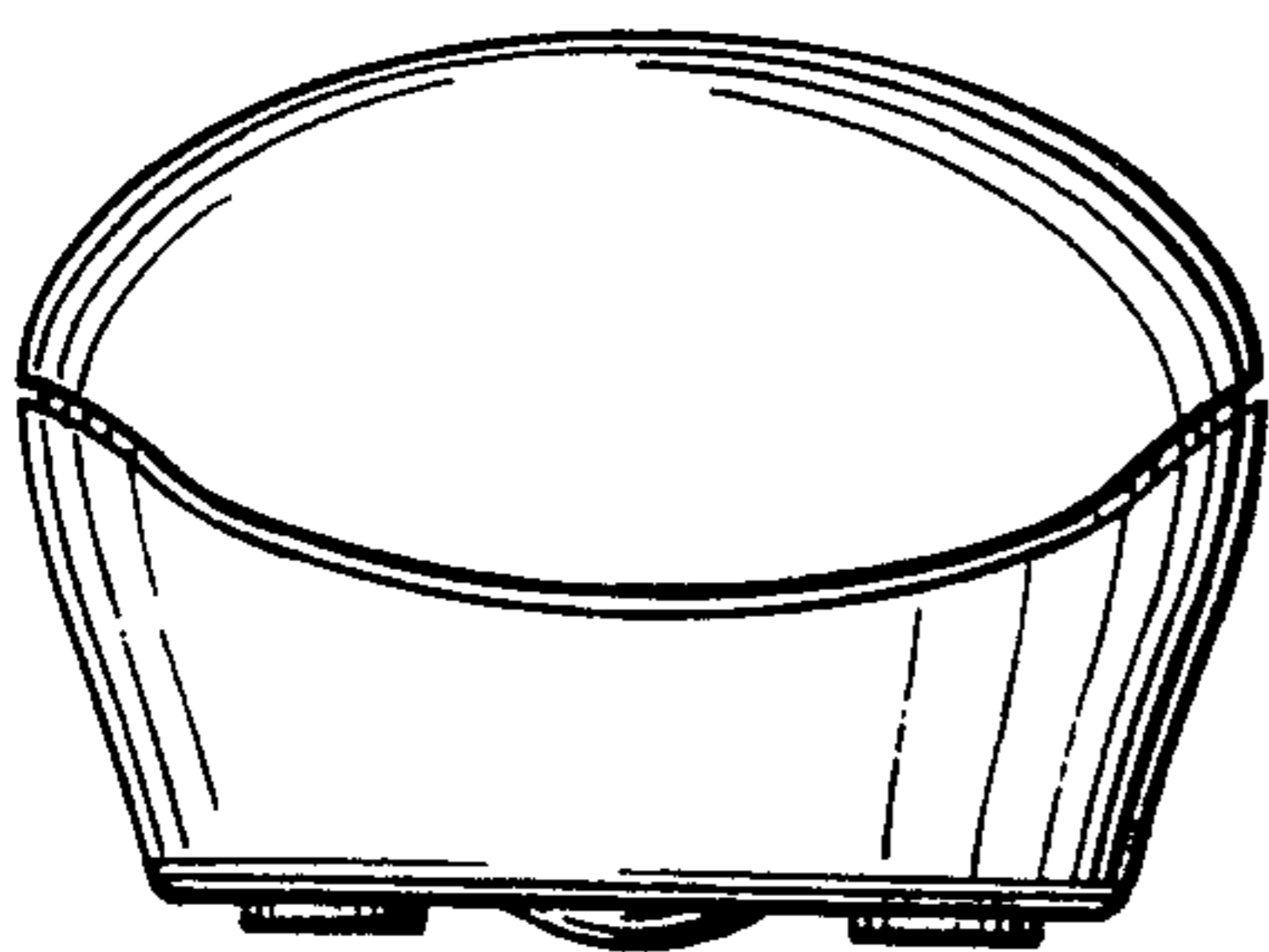


FIG. 9

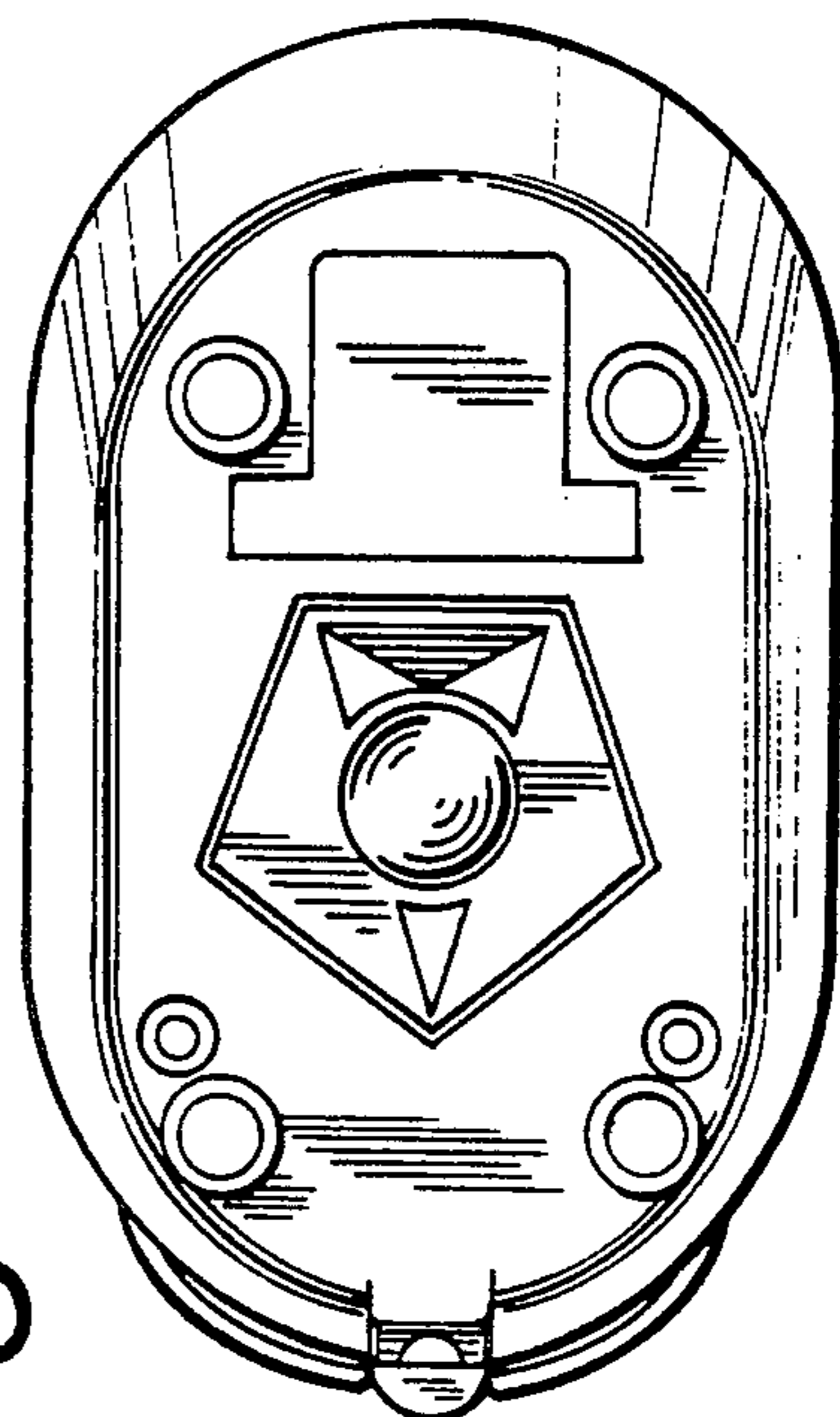


FIG. 10

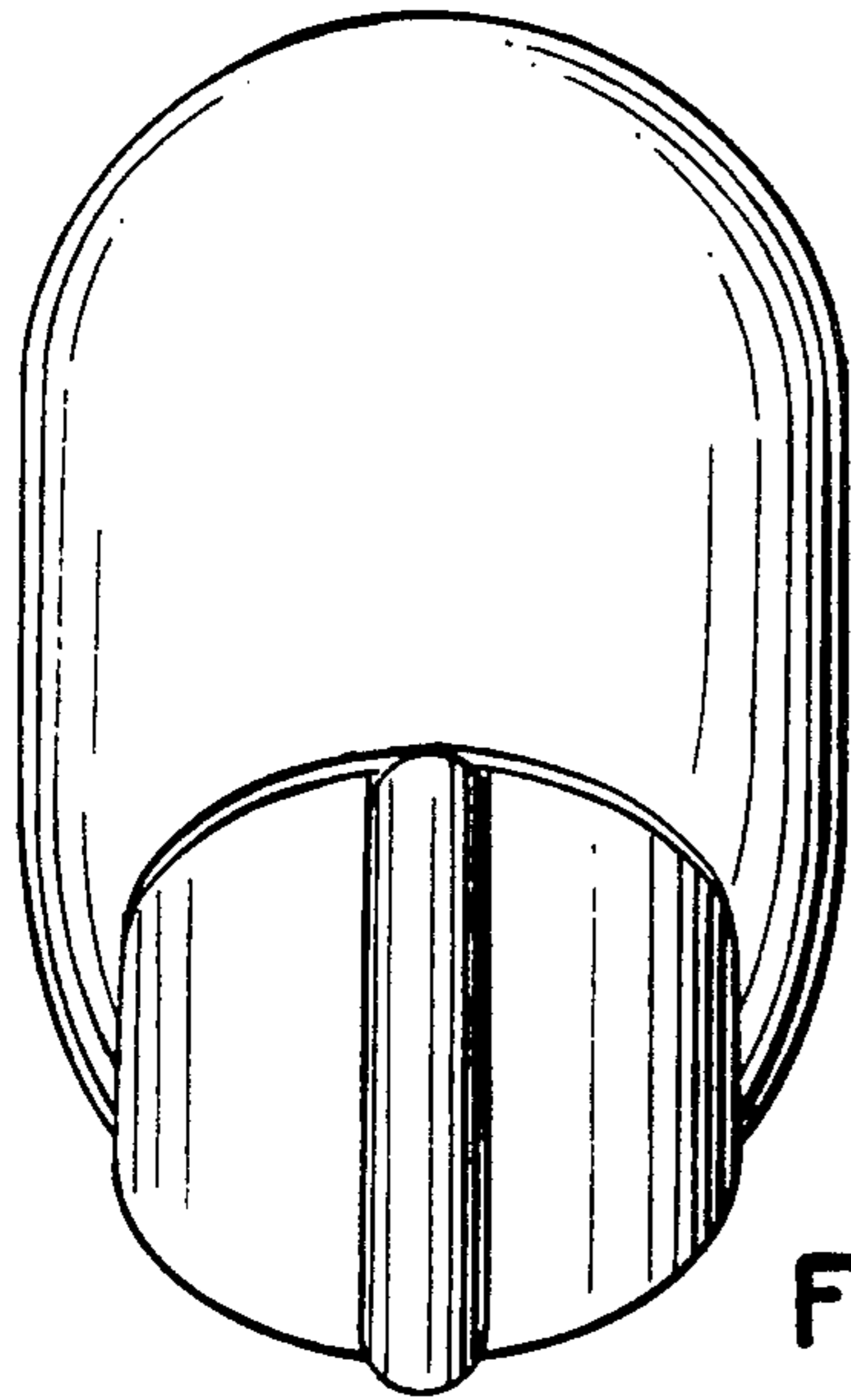


FIG. 11

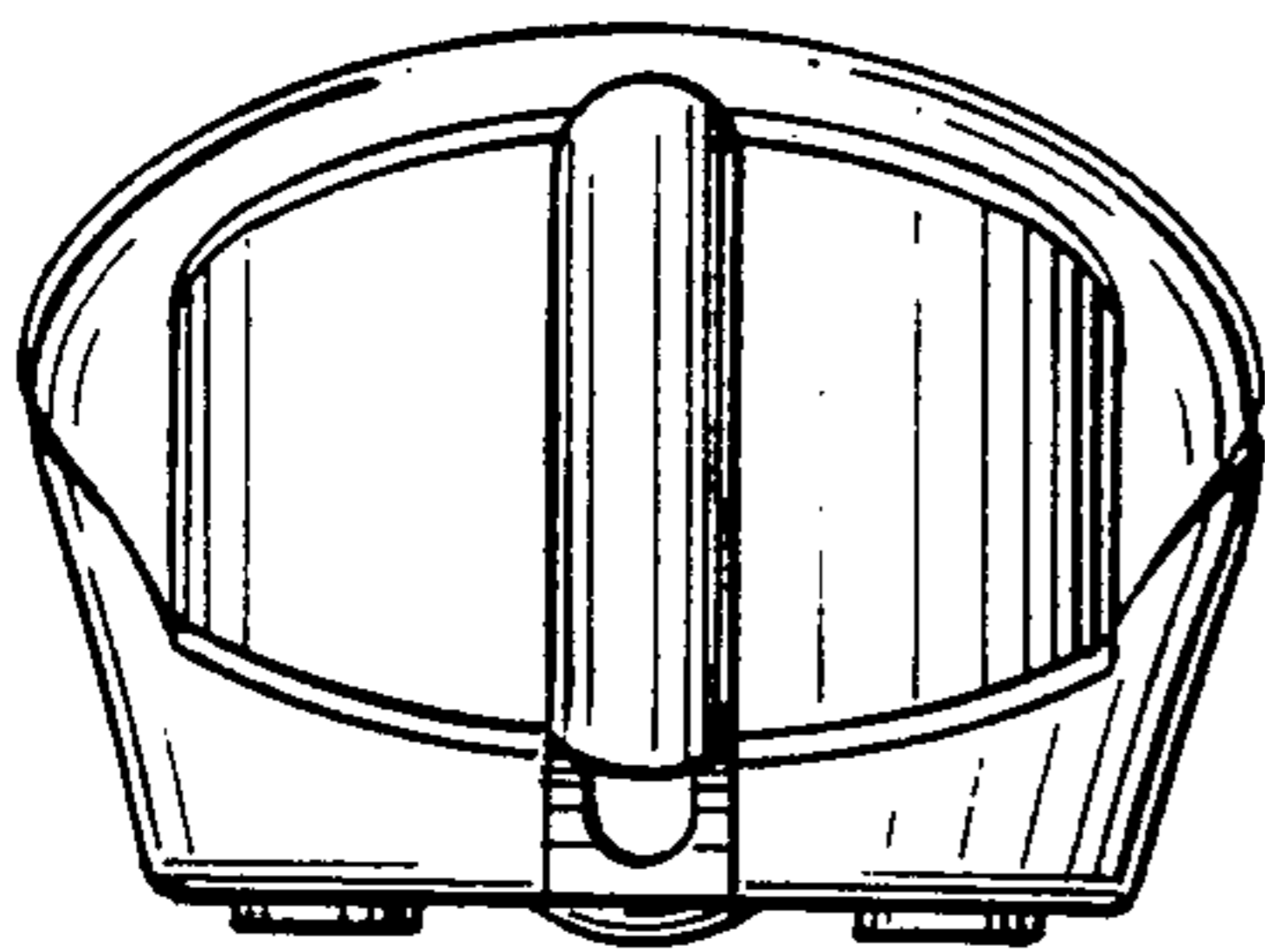


FIG. 12

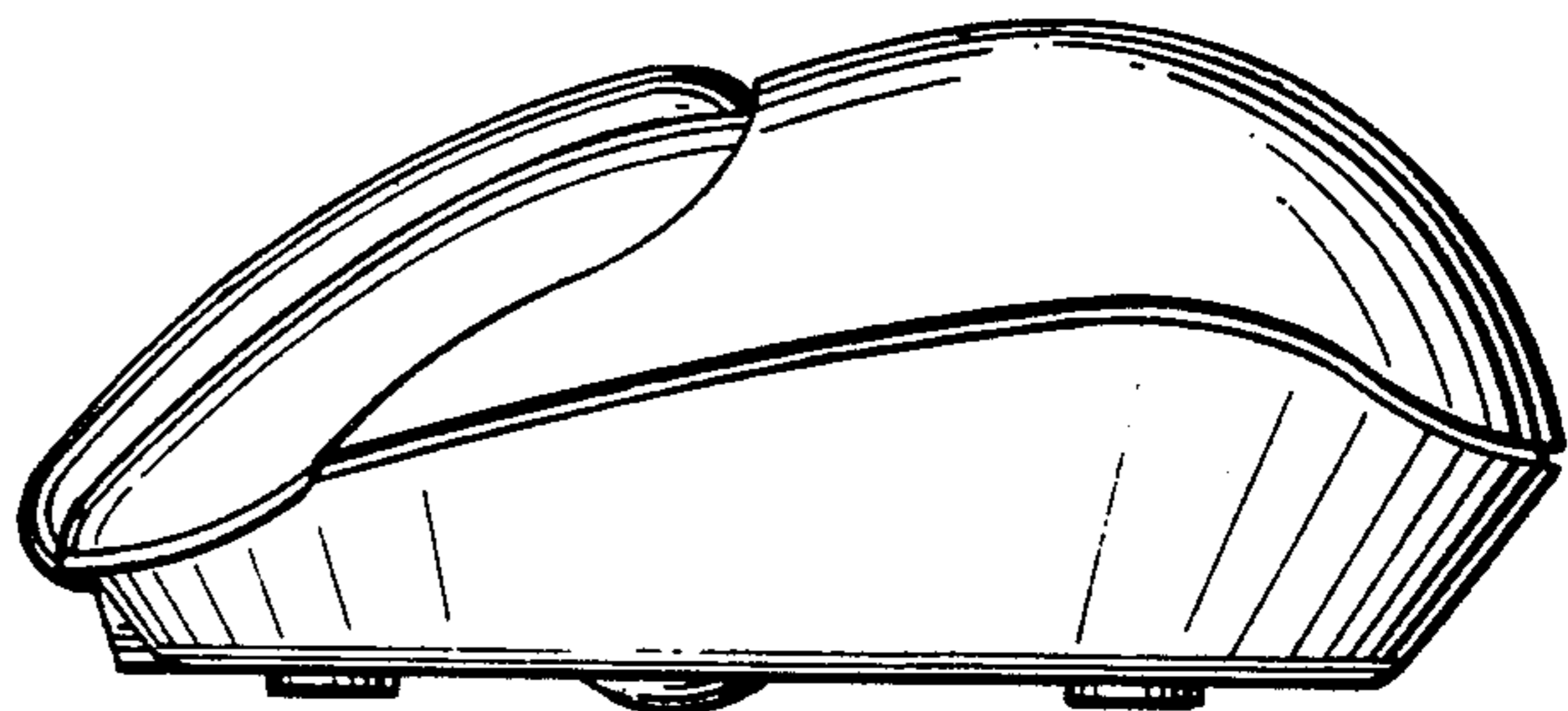


FIG. 13

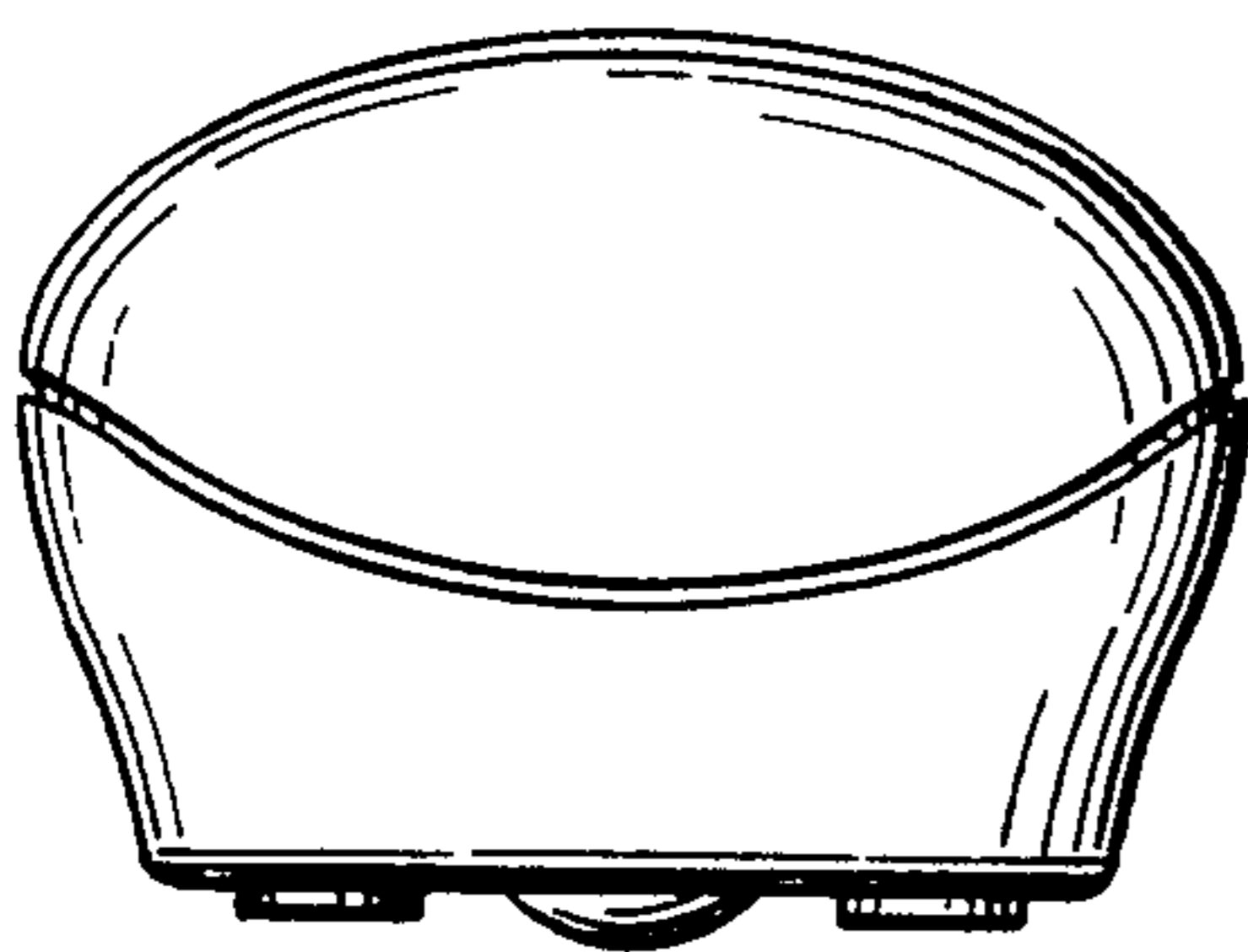


FIG. 14

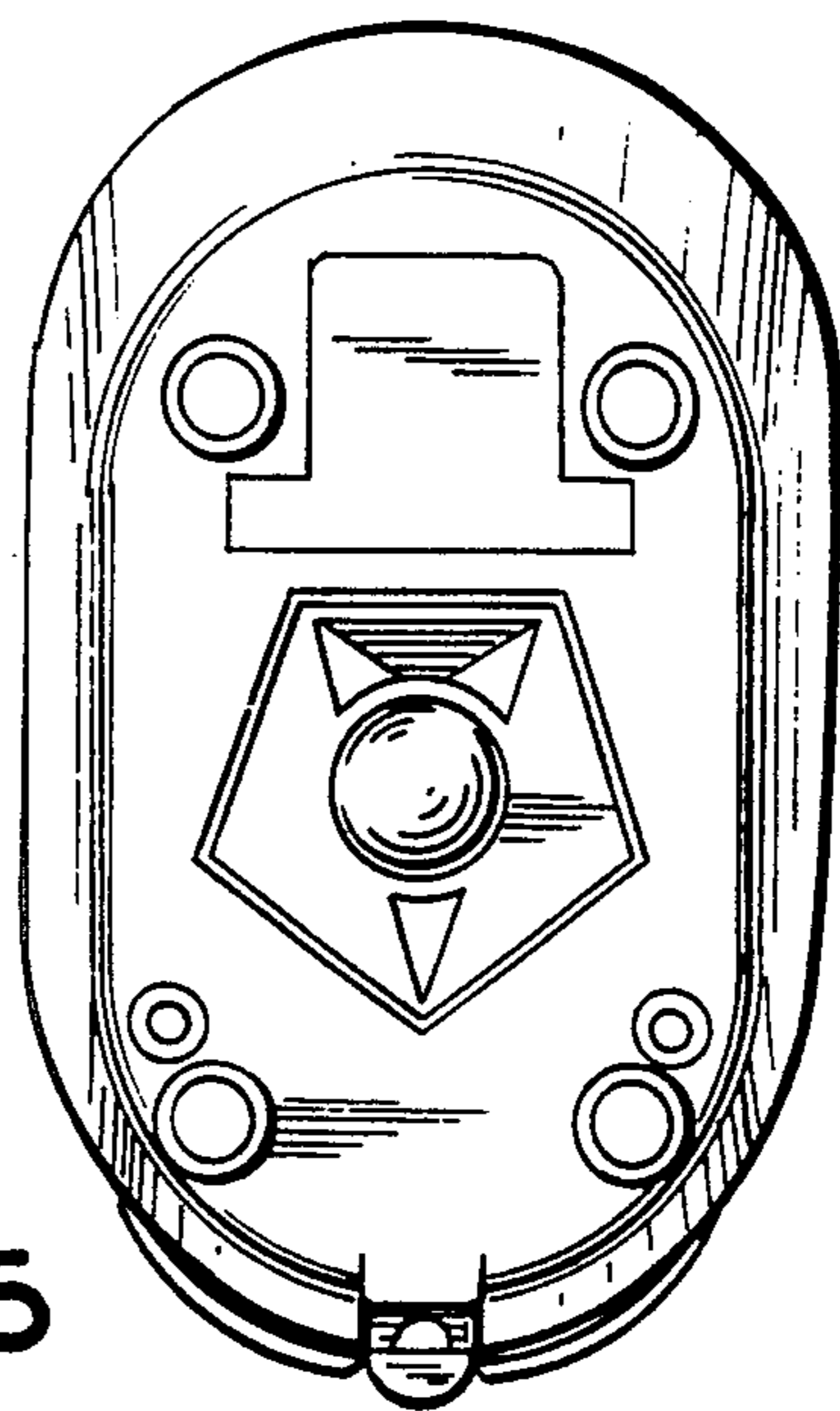


FIG. 15

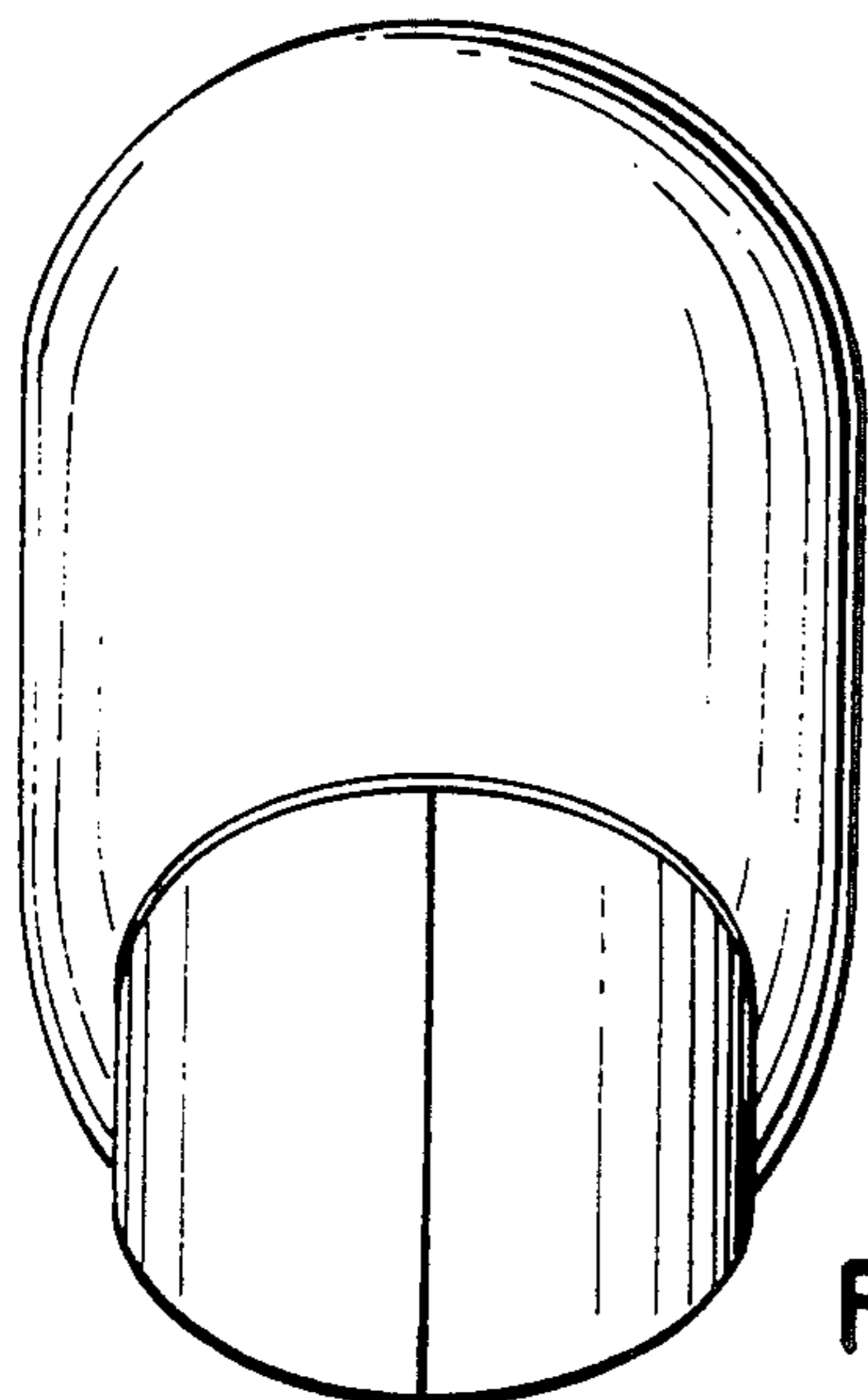


FIG. 16

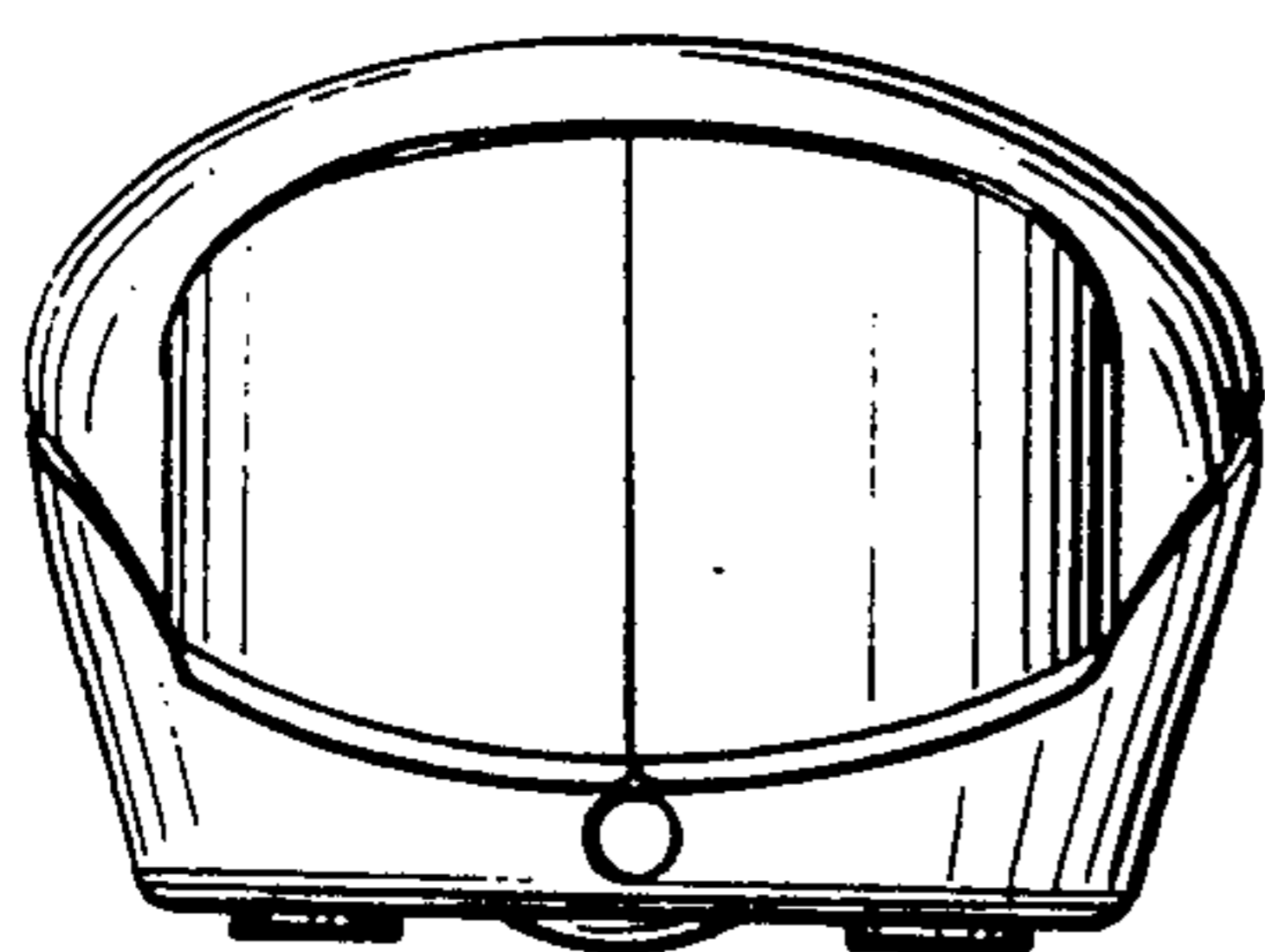


FIG. 17

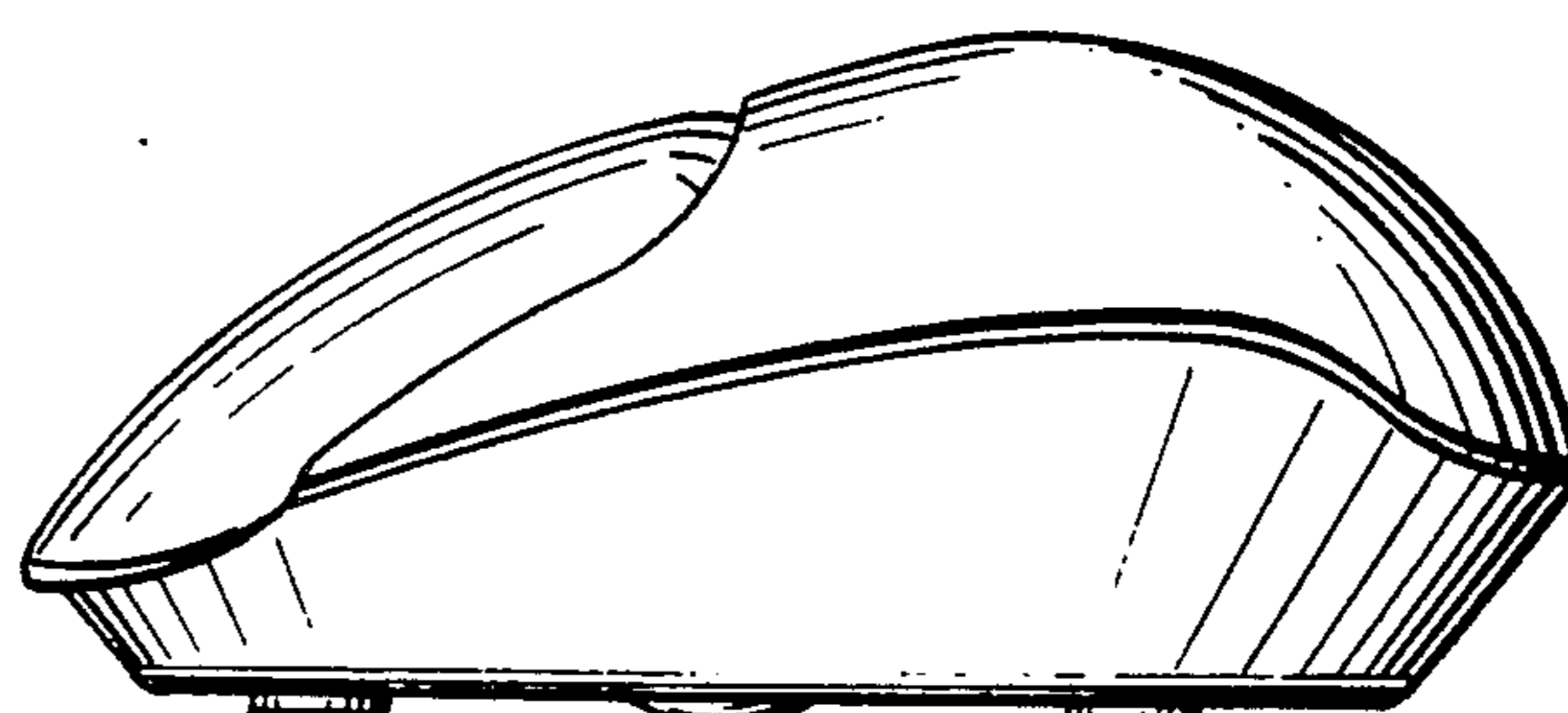


FIG. 18

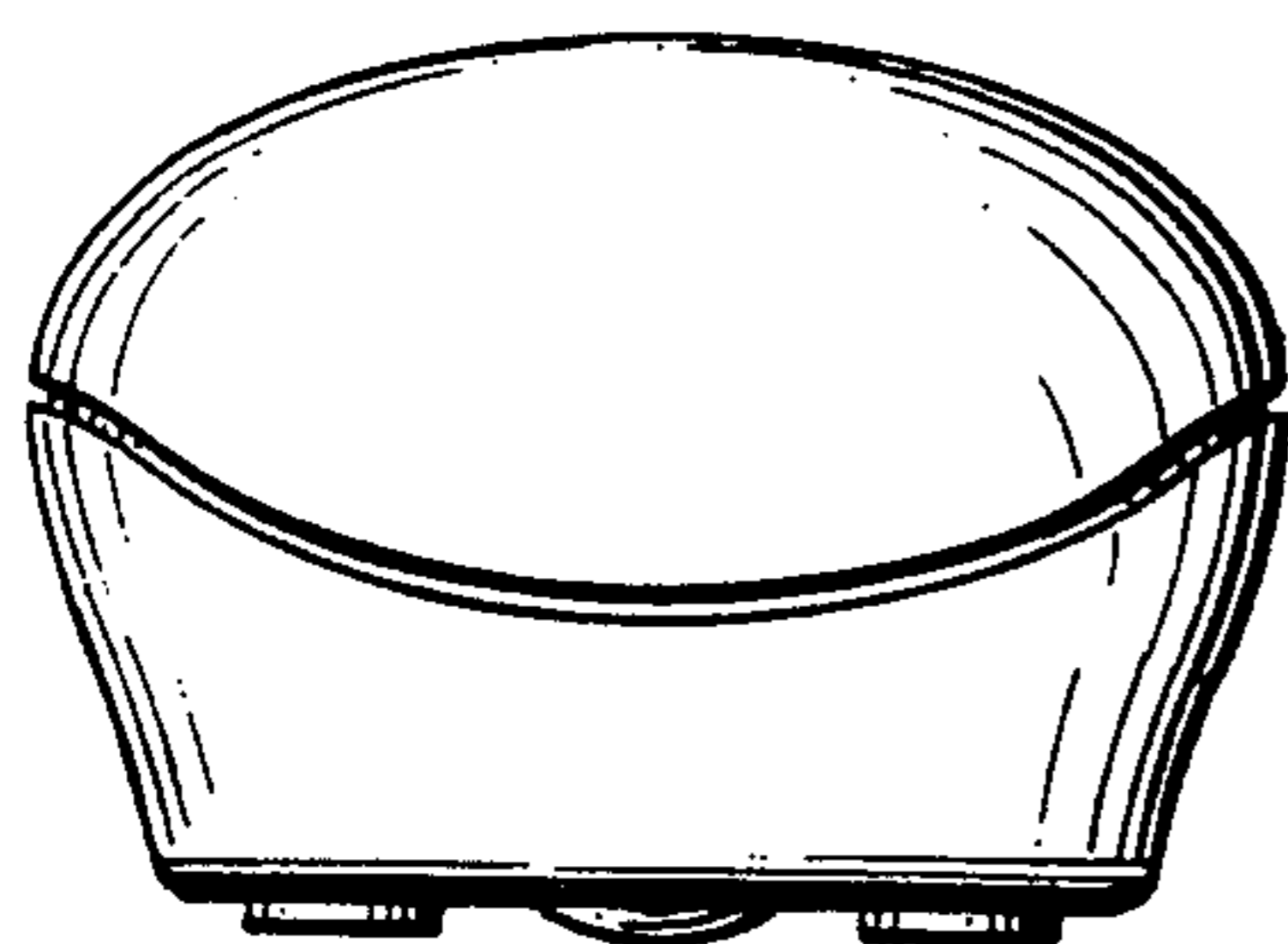


FIG. 19

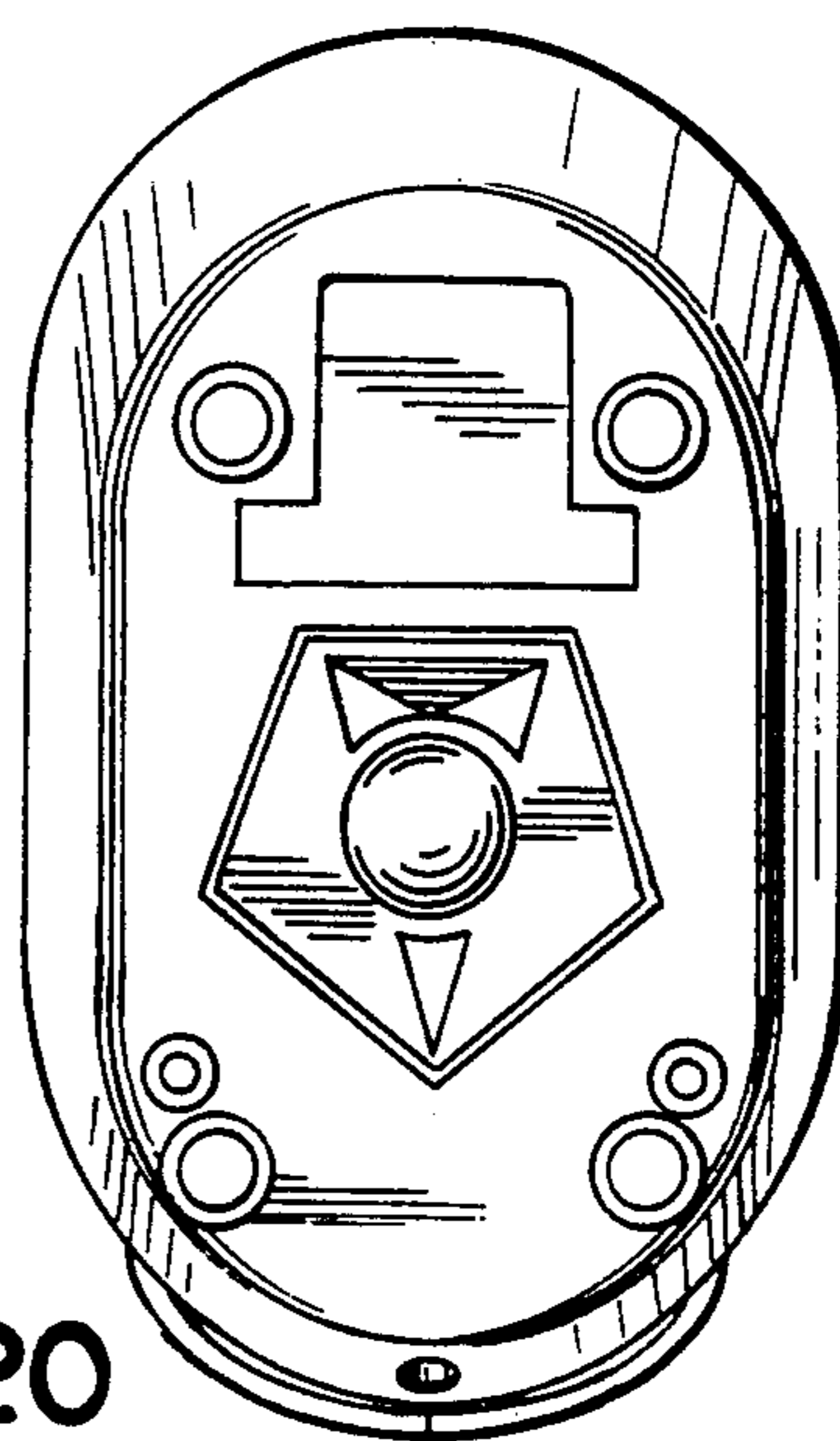


FIG. 20