



US00D330704S

United States Patent [19]

[11] Patent Number: **Des. 330,704**

Wagner

[45] Date of Patent: **** Nov. 3, 1992**

[54] **COMPUTER MODERN HOUSING**

[76] Inventor: **Eric Wagner, Brunbjörnsvägen 47, S-722 42 Västerås, Sweden**

[*] Notice: **The portion of the term of this patent subsequent to Oct. 30, 2007 has been disclaimed.**

[**] Term: **14 Years**

[21] Appl. No.: **486,182**

[22] Filed: **Feb. 28, 1990**

[30] **Foreign Application Priority Data**

Sep. 1, 1989 [SE] Sweden 89-1973

[52] U.S. Cl. **D14/107; D13/147**

[58] Field of Search **D13/147; D14/100, 107, D14/242; 439/59, 610, 620; 375/8; 174/50, 52, 52.1**

[56] **References Cited**

U.S. PATENT DOCUMENTS

- D. 271,202 11/1983 Endt D14/109
- D. 272,340 1/1984 Korzik D14/107 X
- D. 286,289 10/1986 Barr et al. D14/100
- D. 289,648 5/1987 Felix et al. D14/100
- D. 297,843 9/1988 Pedinielli et al. D14/107
- D. 301,877 6/1989 Greenberg et al. D14/107

- D. 311,740 10/1990 Wagner D14/107
- D. 319,431 8/1991 Constien D13/147 X
- 4,126,369 11/1978 Rapata et al. 174/52.1 X
- 4,380,360 4/1983 Parmer et al. 439/59
- 4,690,286 9/1987 Horne et al. 361/290 X
- 4,894,630 1/1990 Ueta et al. 174/50.52 X

OTHER PUBLICATIONS

Inmac pocket modem on p. 10 of *Inmac Catalog* May 1989.

Model 1000 short range modem on p. 68 of *Patton Electronics Catalog No. 9*.

Xerox—1983—Front Cover—Computer in foreground. Xerox Corporation.

Primary Examiner—Wallace R. Burke

Assistant Examiner—Joel Sincavage

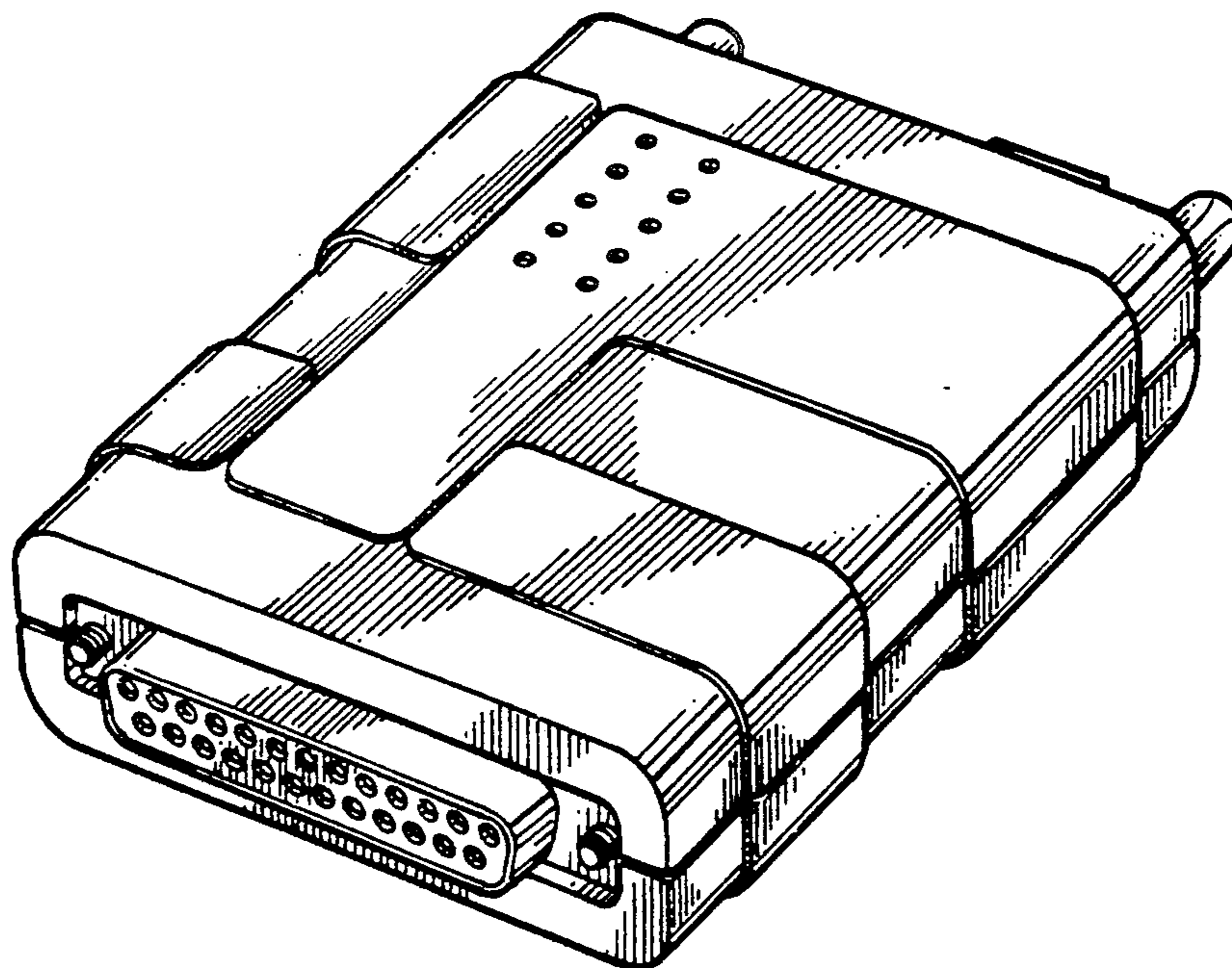
Attorney, Agent, or Firm—Young & Thompson

[57] **CLAIM**

The ornamental design for a computer modem housing, as is shown.

DESCRIPTION

FIG. 1 is a front and upper right perspective view of a computer modem housing showing my new design; FIG. 2 is a rear and lower left perspective view thereof; and, FIG. 3 is a front and lower left perspective view thereof.



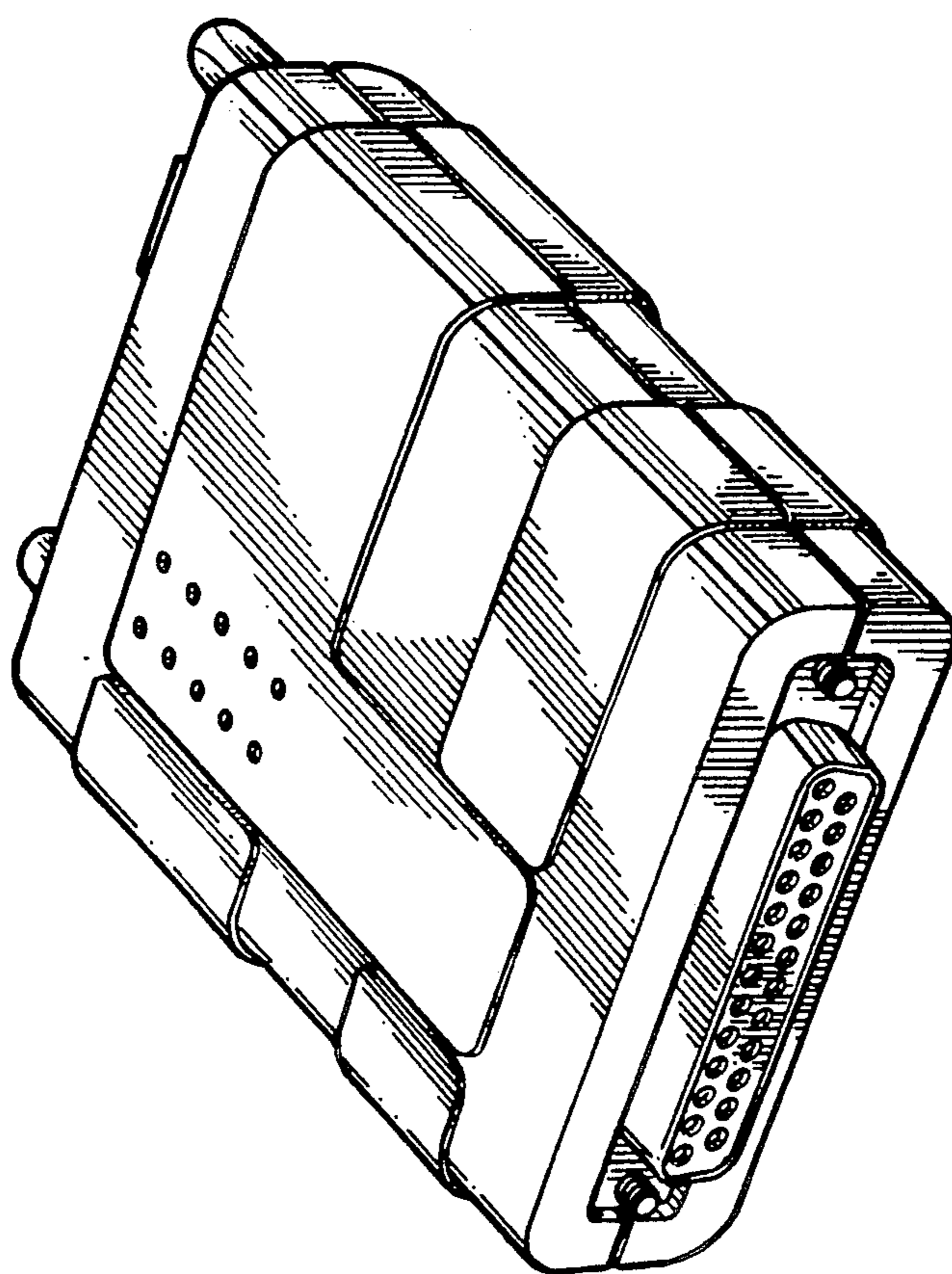


FIG. 1

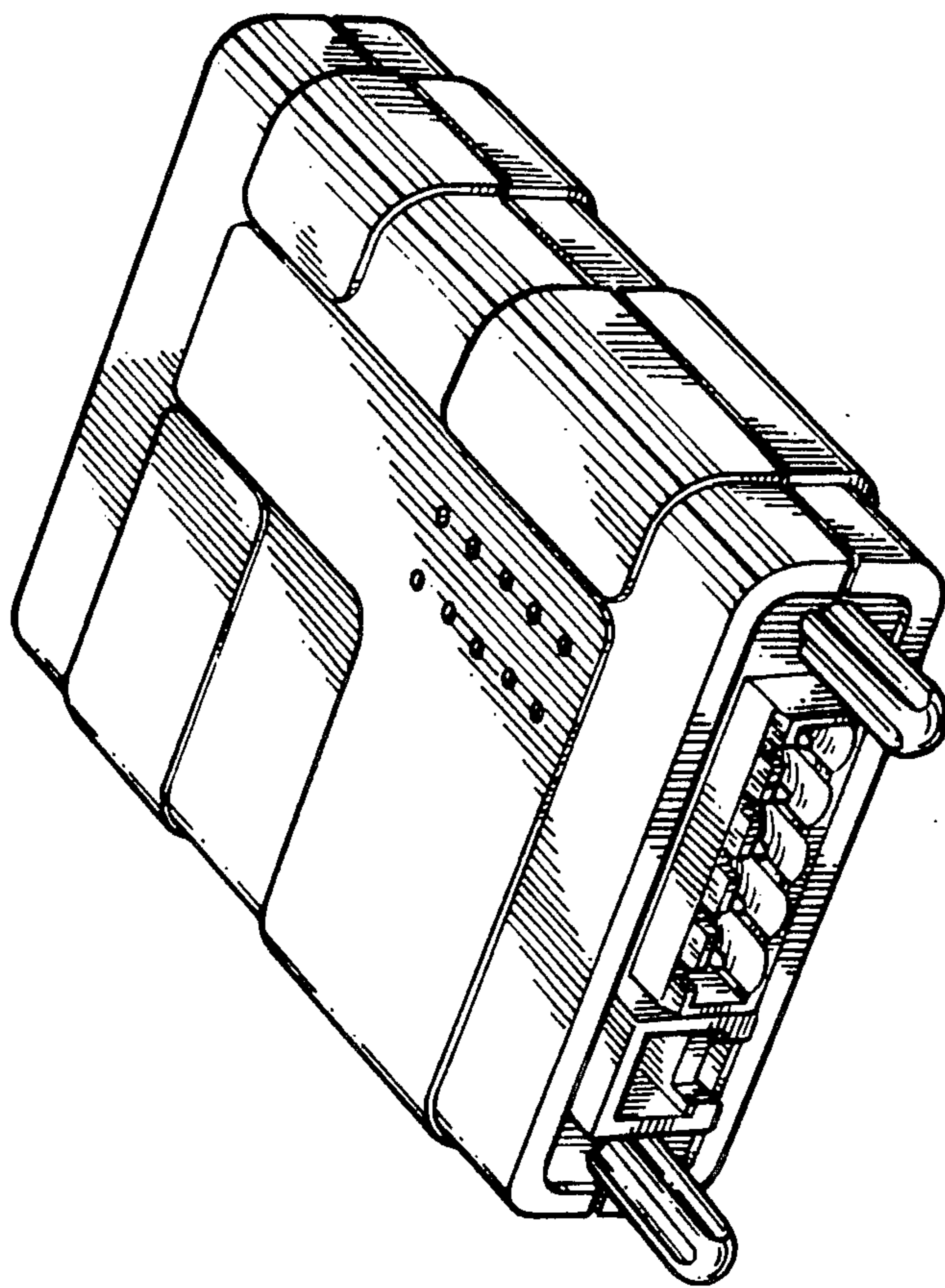


FIG. 2

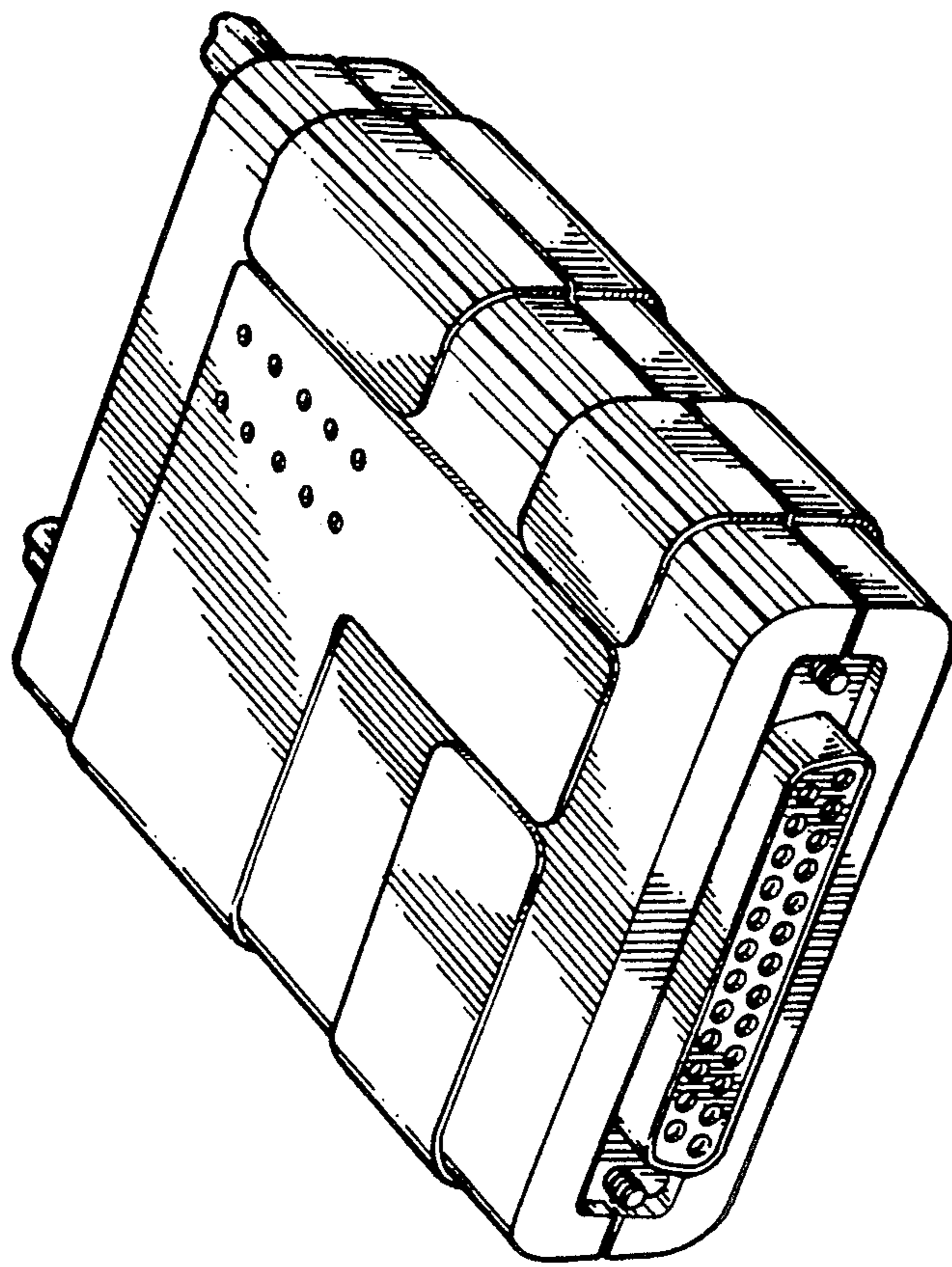


FIG. 3