



US00D330703S

United States Patent [19]

[11] Patent Number: **Des. 330,703**

Cheung et al.

[45] Date of Patent: **** Nov. 3, 1992**

[54] **ELECTRONIC COMPUTER HOUSING**

[75] Inventors: **David Cheung**, New Territories; **Ho L. Tse**, Kowloon, both of Hong Kong

[73] Assignee: **Video Technology Industries, Inc.**, Wheeling, Ill.

[**] Term: **14 Years**

[21] Appl. No.: **525,185**

[22] Filed: **May 17, 1990**

[30] **Foreign Application Priority Data**

Jan. 23, 1990 [GB] United Kingdom 2004201

[52] U.S. Cl. **D14/100**

[58] Field of Search D14/100, 101, 105, 106, D14/115, 247; D18/1, 7, 11, 12; 340/700, 706, 711, 712; 341/22, 23; 235/145 A, 145 R; 400/493.1, 472, 473, 485, 486, 488, 489, 494, 693; 364/706-709.09, 900; D19/60, 62, 64

[56] **References Cited**

U.S. PATENT DOCUMENTS

- D. 270,453 9/1983 Takahashi D14/100 X
- D. 277,484 2/1985 Dickinson D14/100
- D. 278,340 4/1985 Enomoto D14/100
- D. 280,409 9/1985 Yamada D14/100

- D. 285,923 9/1986 Takahashi et al. D14/100
- D. 308,669 6/1990 Terry D14/100
- D. 313,977 1/1991 Iino D14/100 X
- D. 321,173 10/1991 Lo D14/100

OTHER PUBLICATIONS

- Package copy, Laser 128 EX/2.
- Package copy, Laser Compact XT.
- Package copy, Laser Compact XTE.
- 1989 Video Technology Catalog excerpt, p. 10.

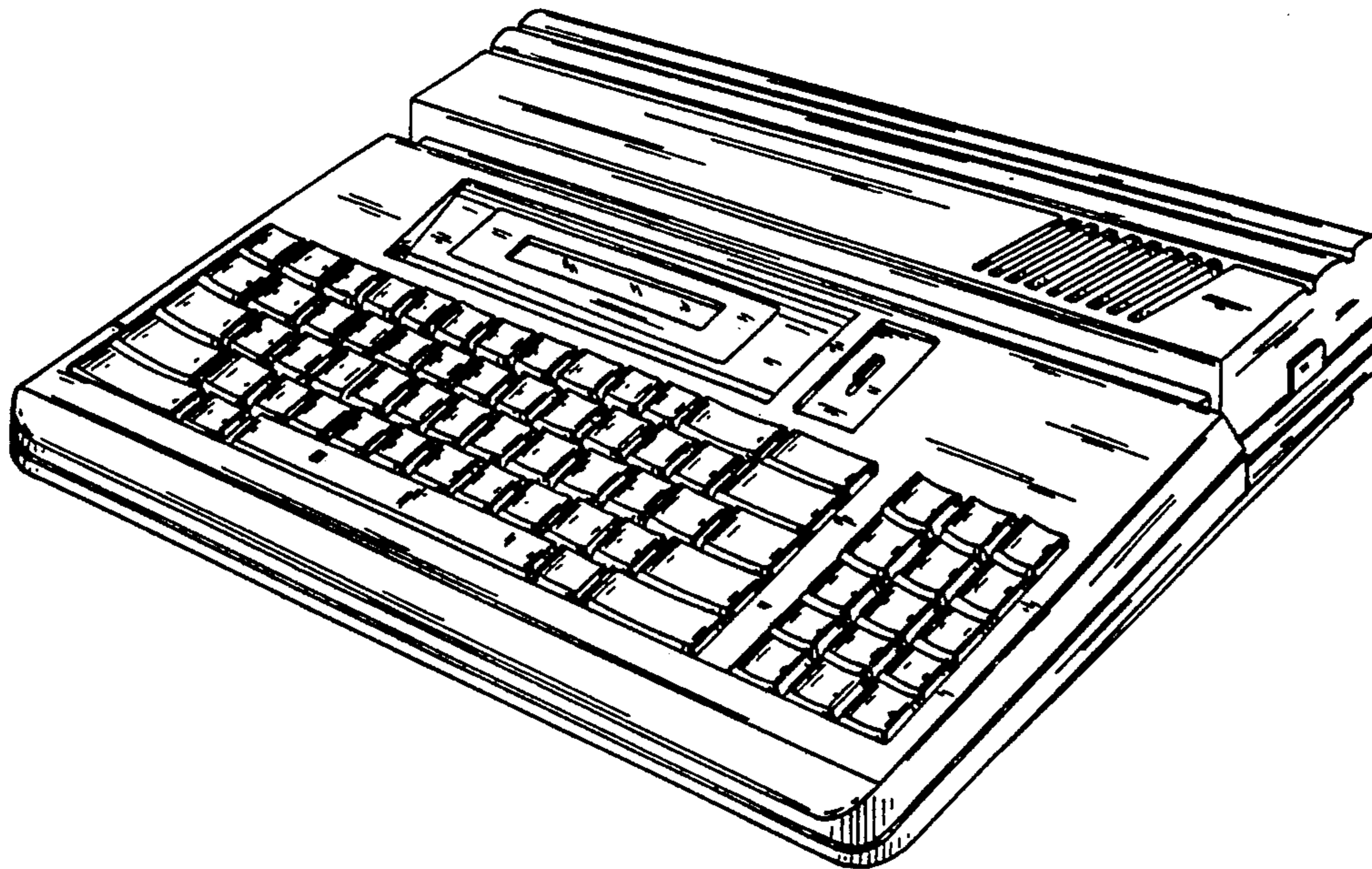
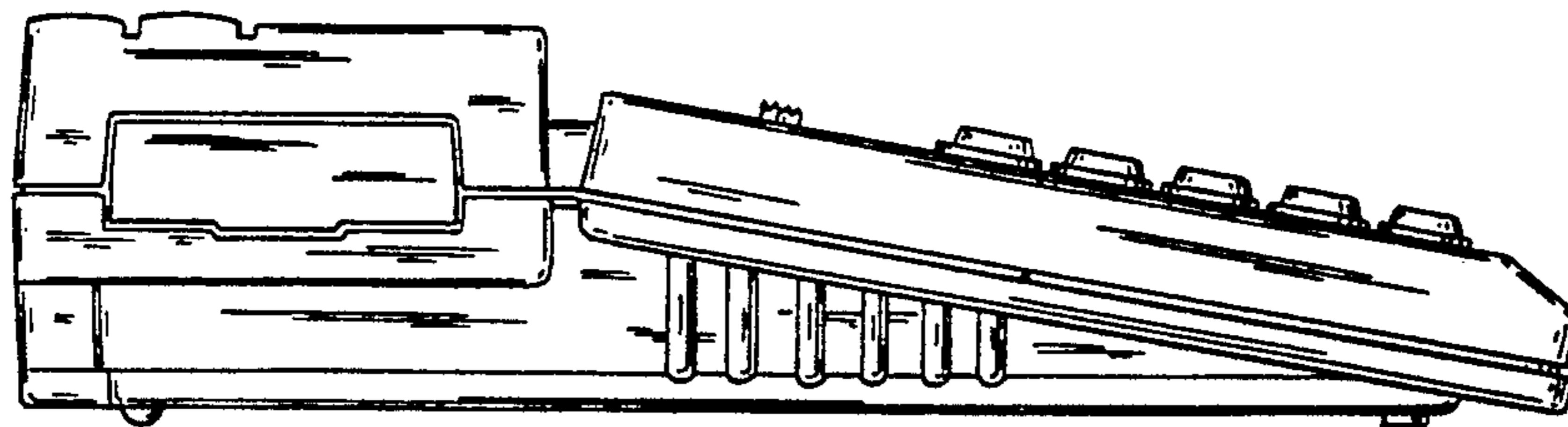
Primary Examiner—Wallace R. Burke
Assistant Examiner—Freda S. Nunn
Attorney, Agent, or Firm—Dick and Harris

[57] **CLAIM**

The ornamental design for an electronic computer housing, as shown and described.

DESCRIPTION

FIG. 1 is a top plan view of an electronic computer housing showing our new design; FIG. 2 is a front elevational view thereof; FIG. 3 is a rear elevational view thereof; FIGS. 4 and 5 are respectively left and right side elevational views thereof; FIG. 6 is a bottom plan view thereof; and, FIG. 7 is a slightly reduced top front and right side perspective view thereof.



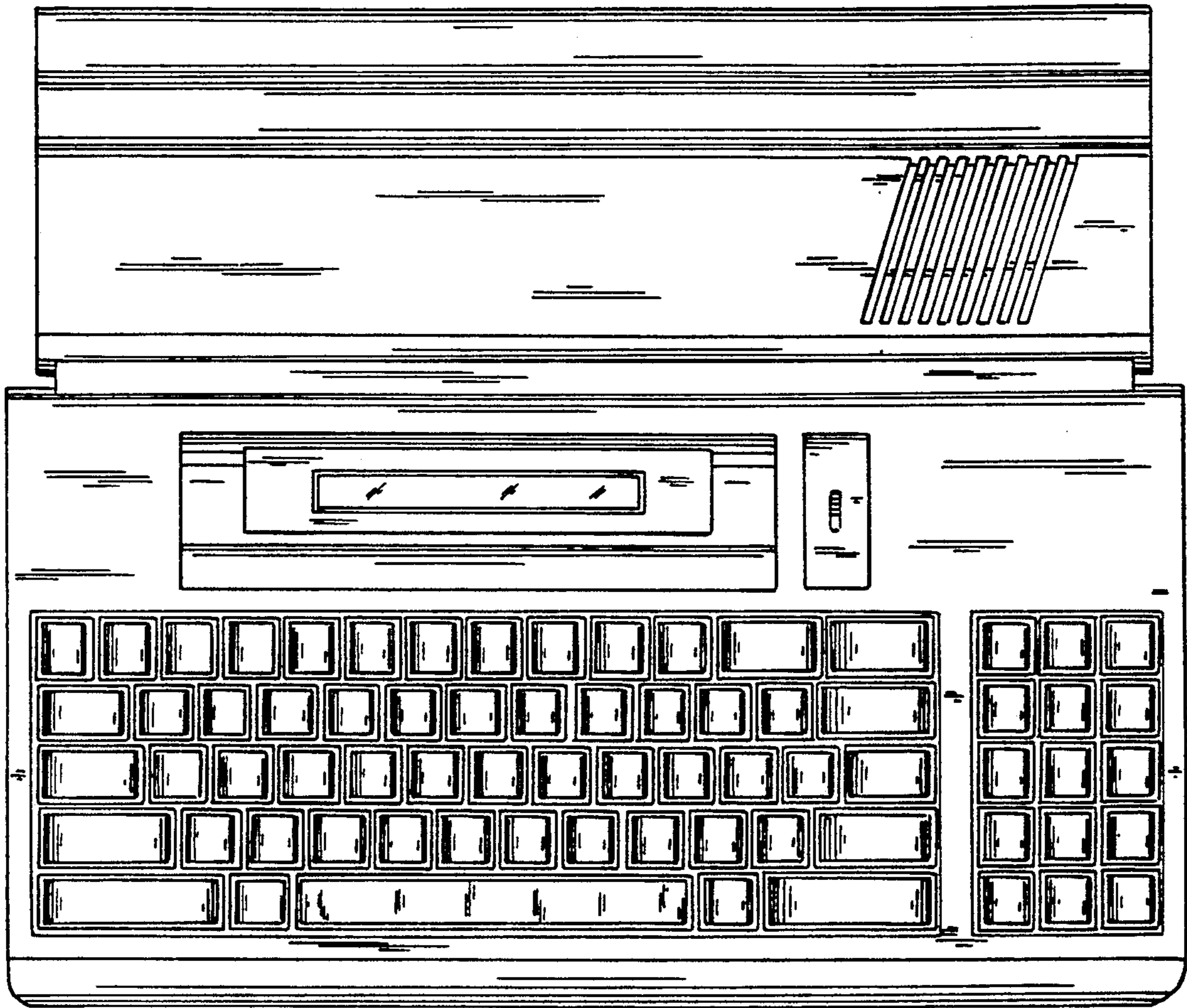


FIG. 1

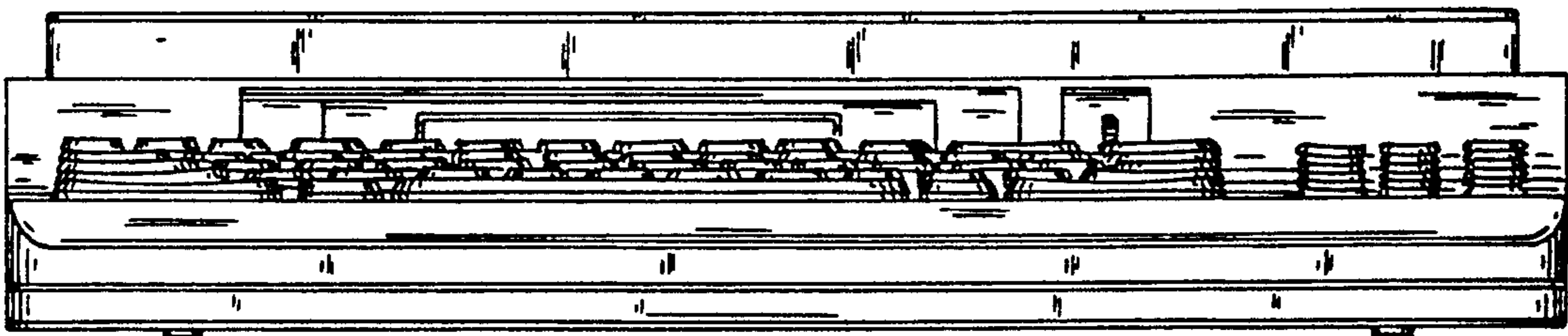


FIG. 2

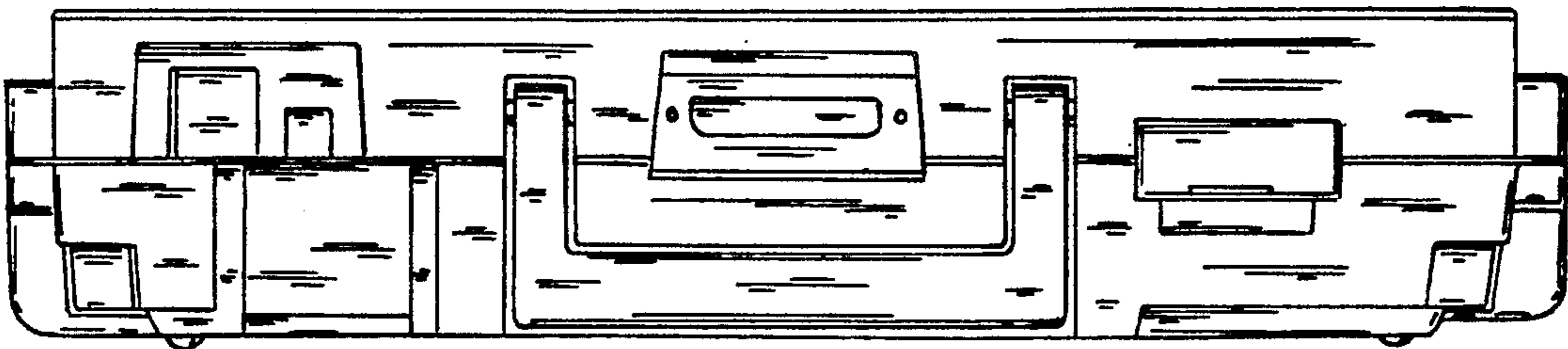


FIG. 3

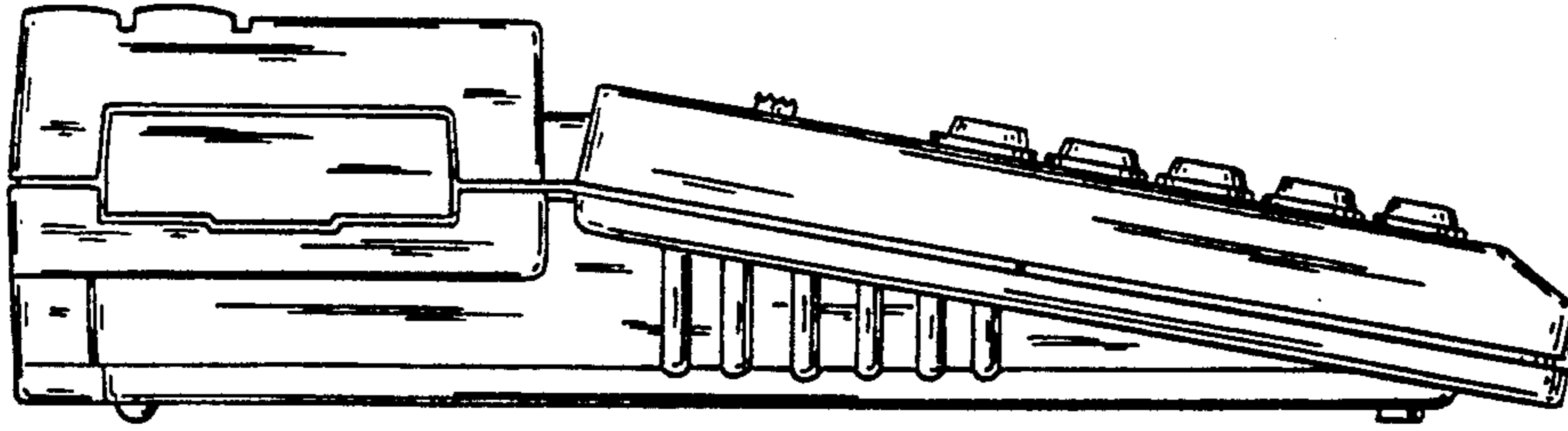


FIG. 4

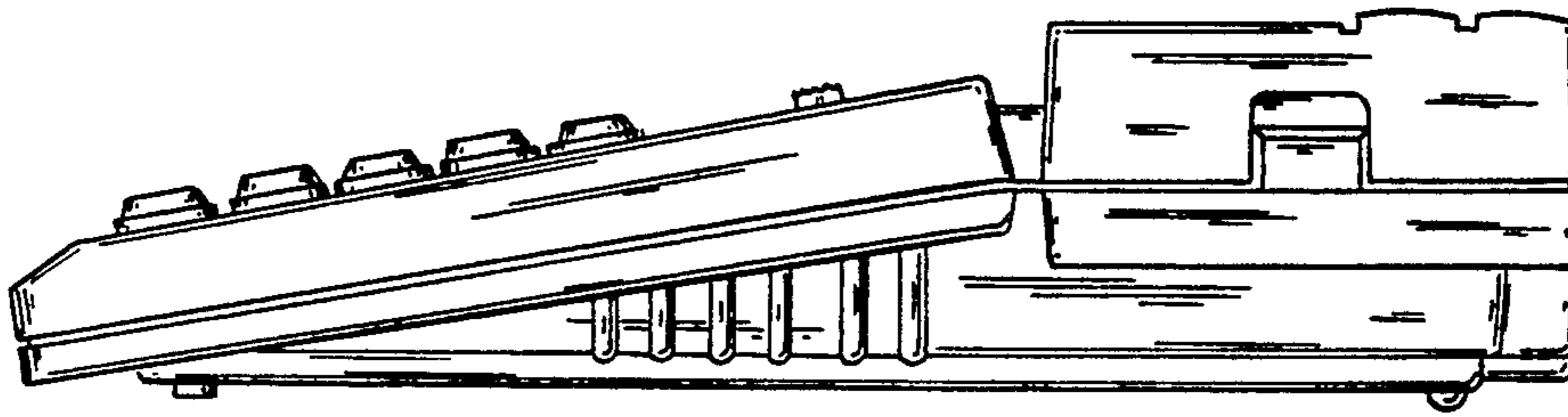


FIG. 5

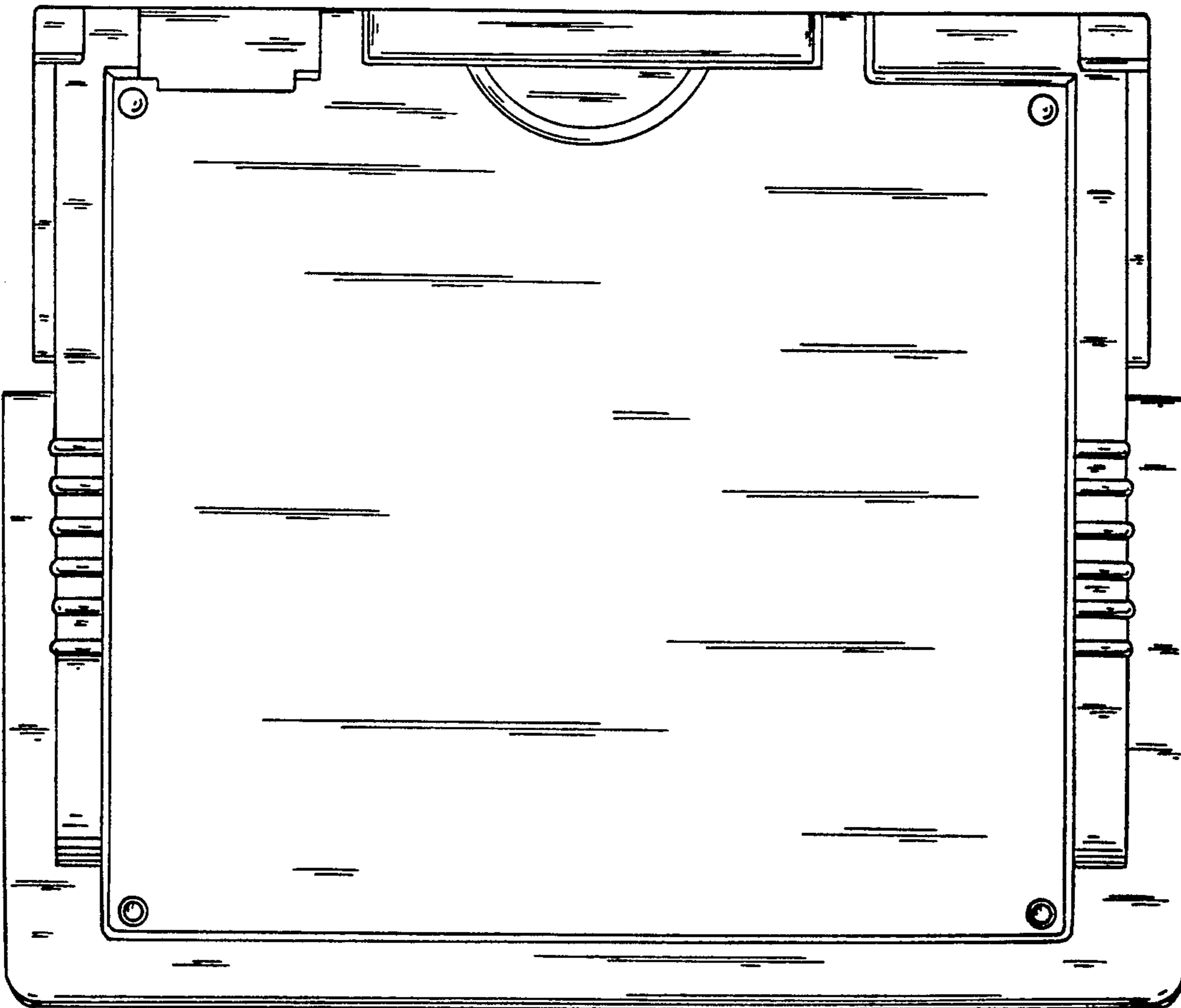


FIG. 6

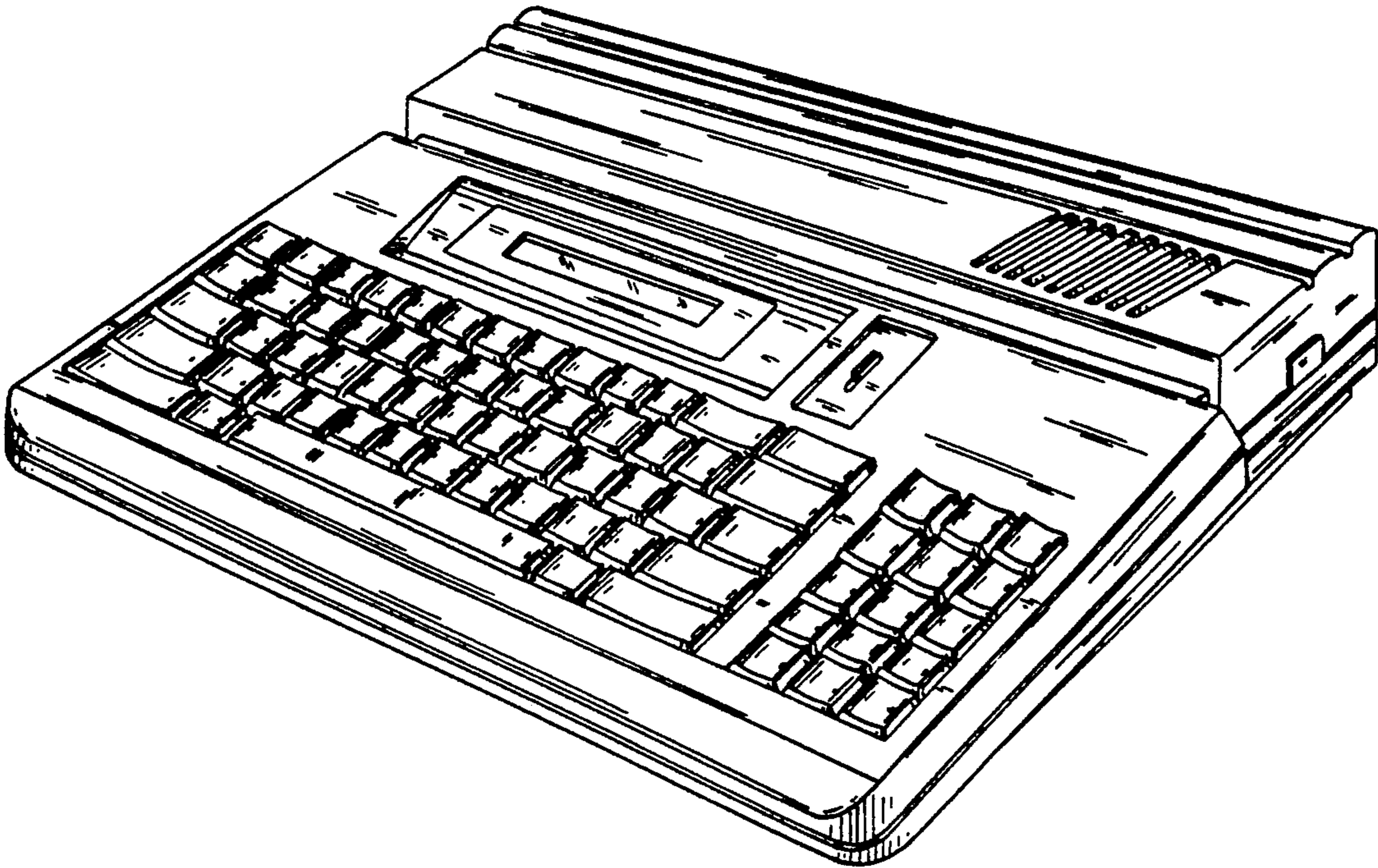


FIG. 7