



US00D330700S

United States Patent [19]

[11] Patent Number: **Des. 330,700**

Wharton

[45] Date of Patent: **** Nov. 3, 1992**

[54] **AUTOMATICALLY ACTUATED ELECTRICAL SWITCH FOR USE WITH AN AUTOMOBILE POWER SYSTEM**

[75] Inventor: **Richard F. Wharton, Glenview, Ill.**

[73] Assignee: **Safco Corporation, Chicago, Ill.**

[**] Term: **14 Years**

[21] Appl. No.: **482,682**

[22] Filed: **Feb. 20, 1990**

[52] U.S. Cl. **D13/158; D13/144; D13/170**

[58] Field of Search **D13/133, 144; D14/138, D14/256; 439/622, 627, 638, 639, 668; 307/10.1**

[56] **References Cited**

U.S. PATENT DOCUMENTS

3,865,463 2/1975 Busch 439/668
4,647,139 3/1987 Yang 439/638 X

OTHER PUBLICATIONS

Cigarette lighter connector on p. 189 of Hong Kong Enterprise, Oct. 1989.

Primary Examiner—Wallace R. Burke
Assistant Examiner—Joel Sincavage
Attorney, Agent, or Firm—Gerald M. Newman

[57] **CLAIM**

The ornamental design for an automatically actuated electrical switch for use with an automobile power system, as shown and described.

DESCRIPTION

FIG. 1 is a front and upper left perspective view of an automatically actuated electrical switch for use with an automobile power system showing my new design; FIG. 2 is a top plan view thereof; FIG. 3 is a bottom plan view thereof; FIG. 4 is a left side elevational view thereof; FIG. 5 is a right side elevational view thereof; FIG. 6 is a front elevational view thereof; and, FIG. 7 is a rear elevational view thereof.

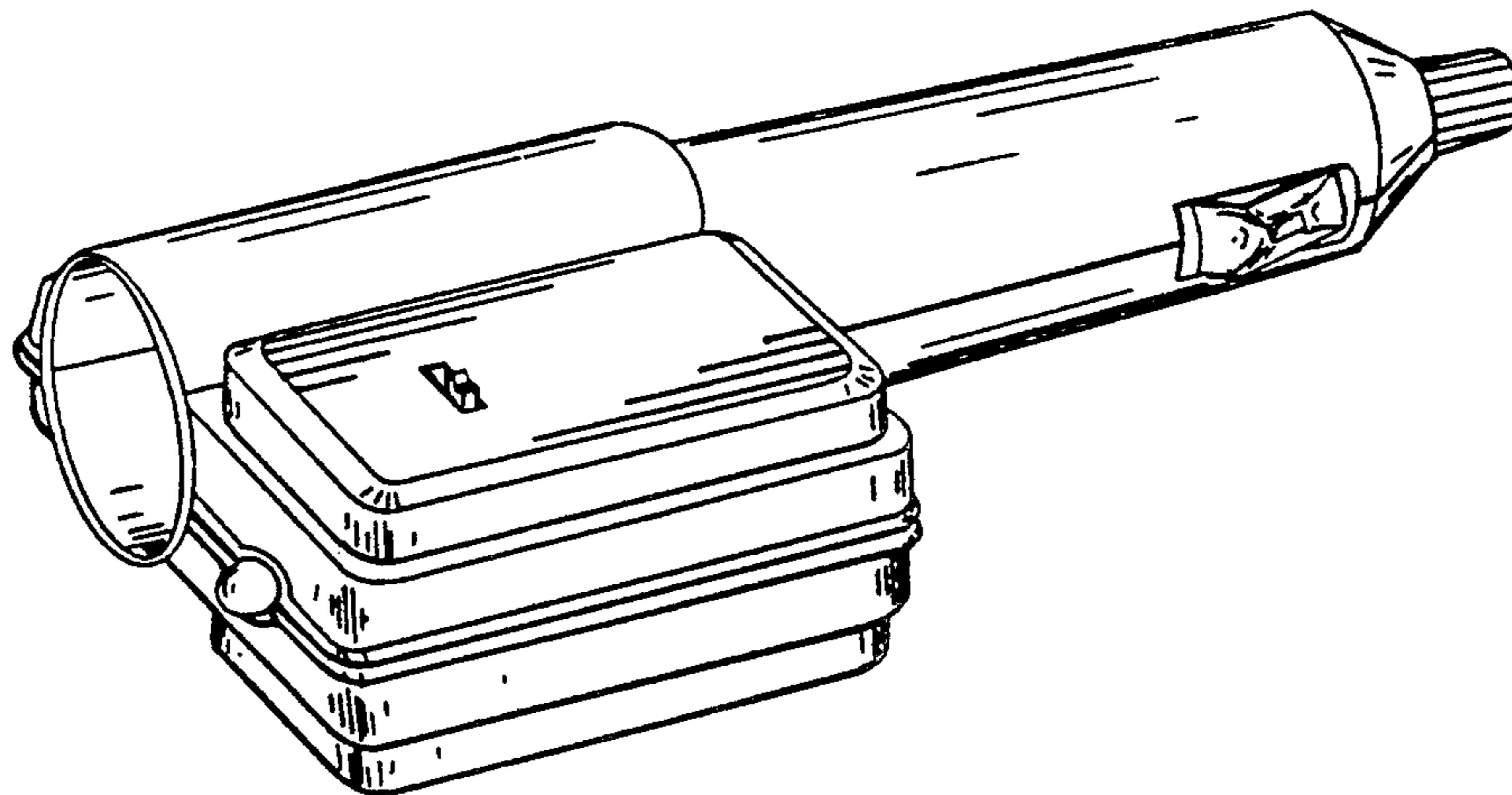


FIG. 1

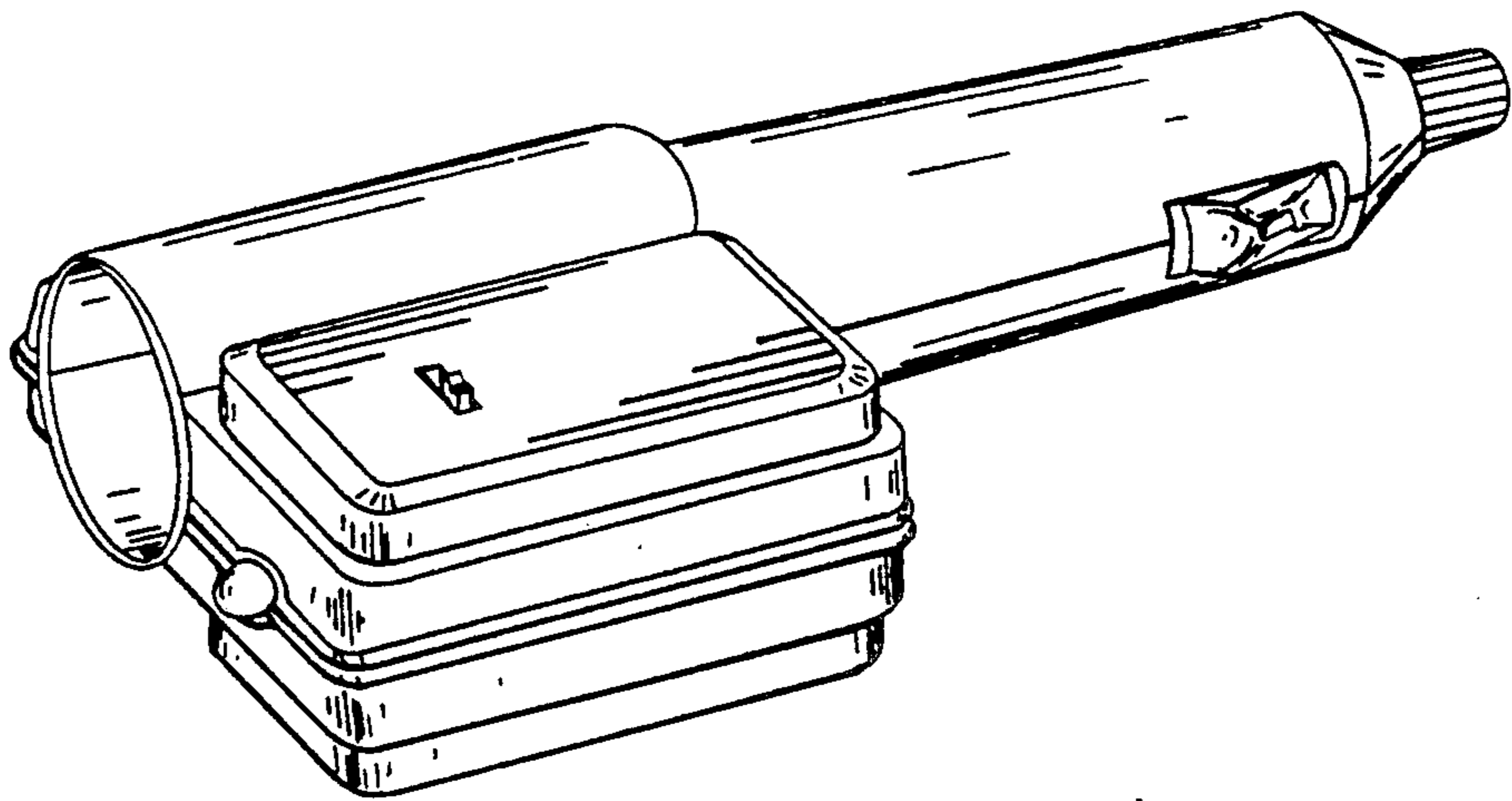


FIG. 2

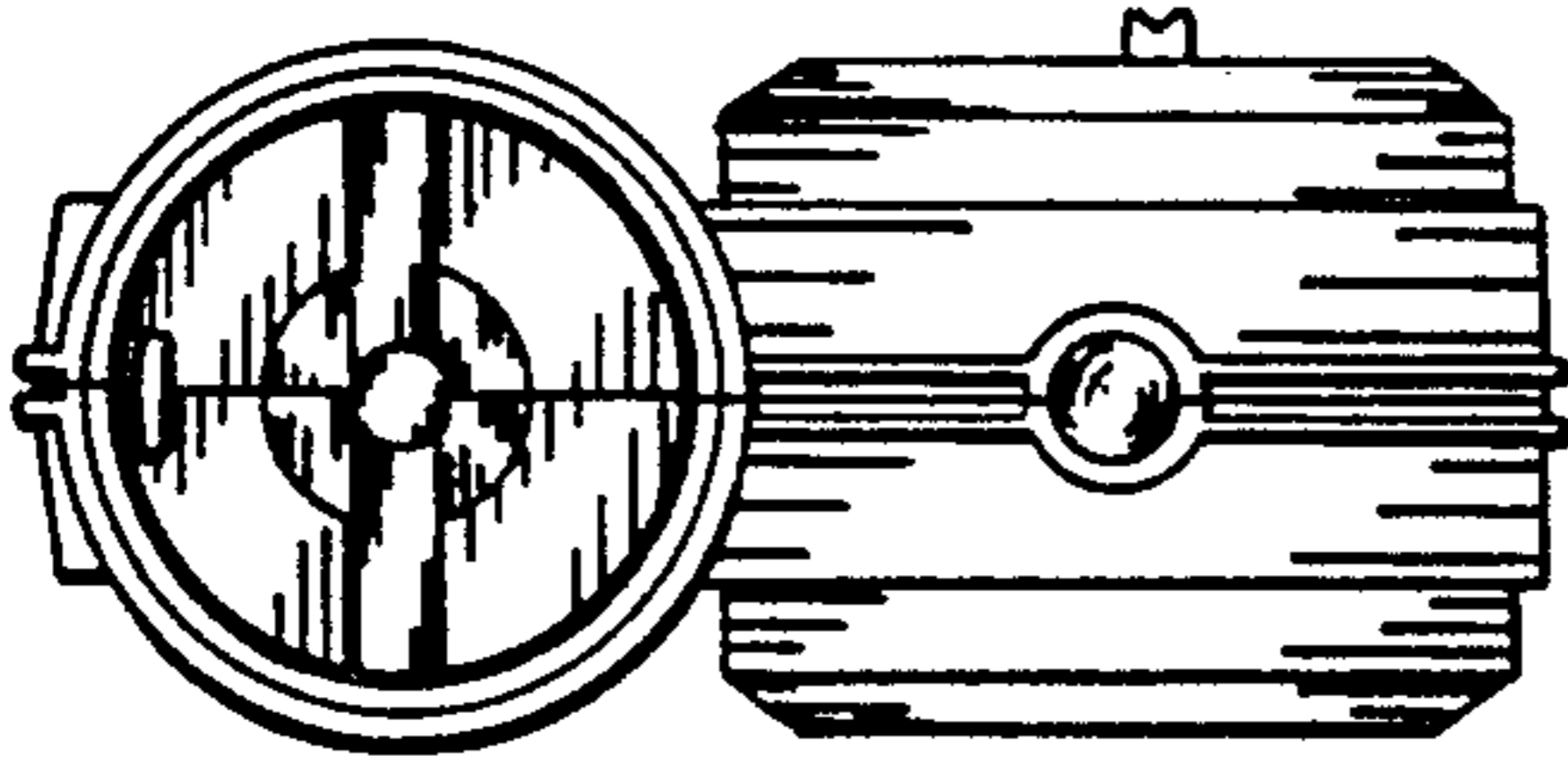


FIG. 3

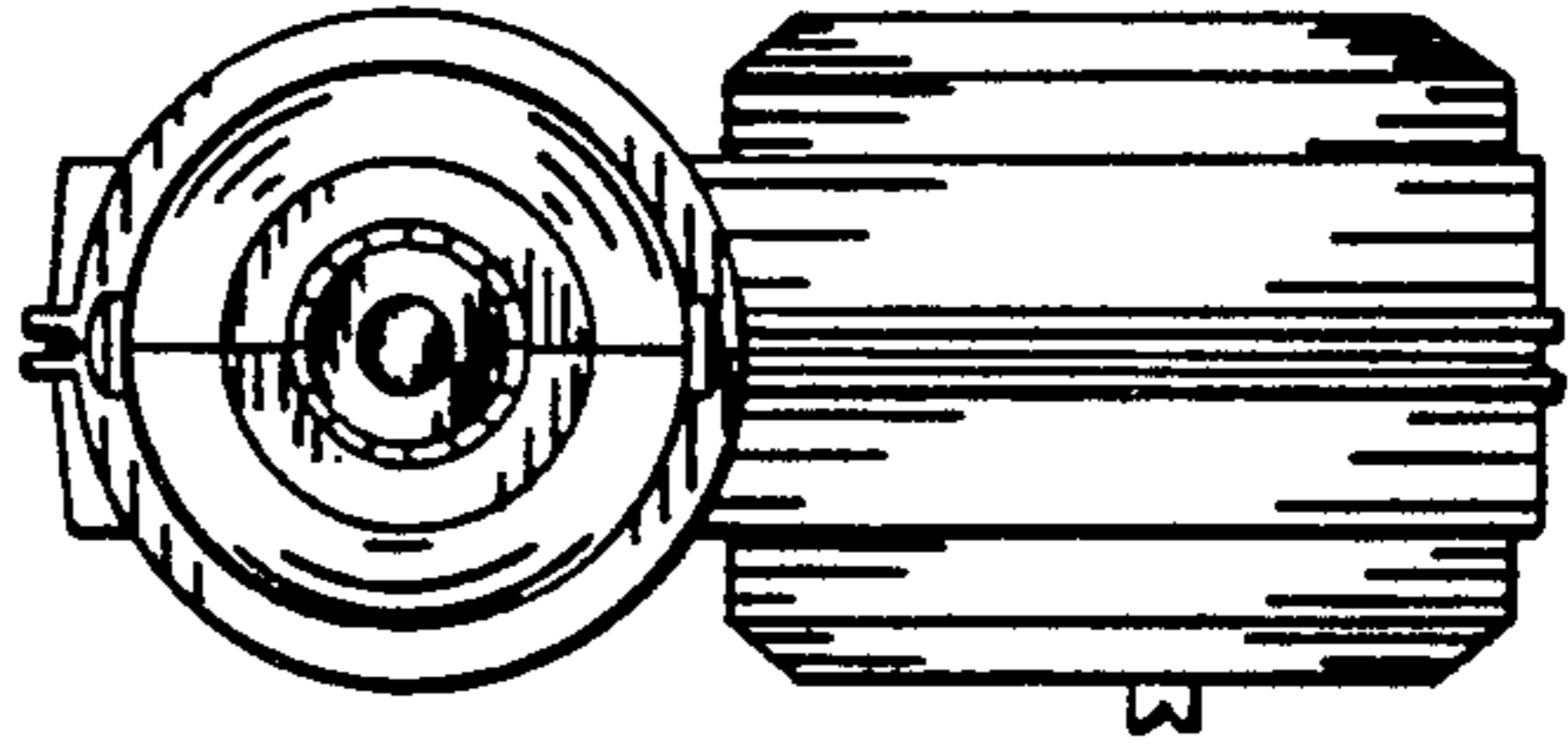


FIG. 6

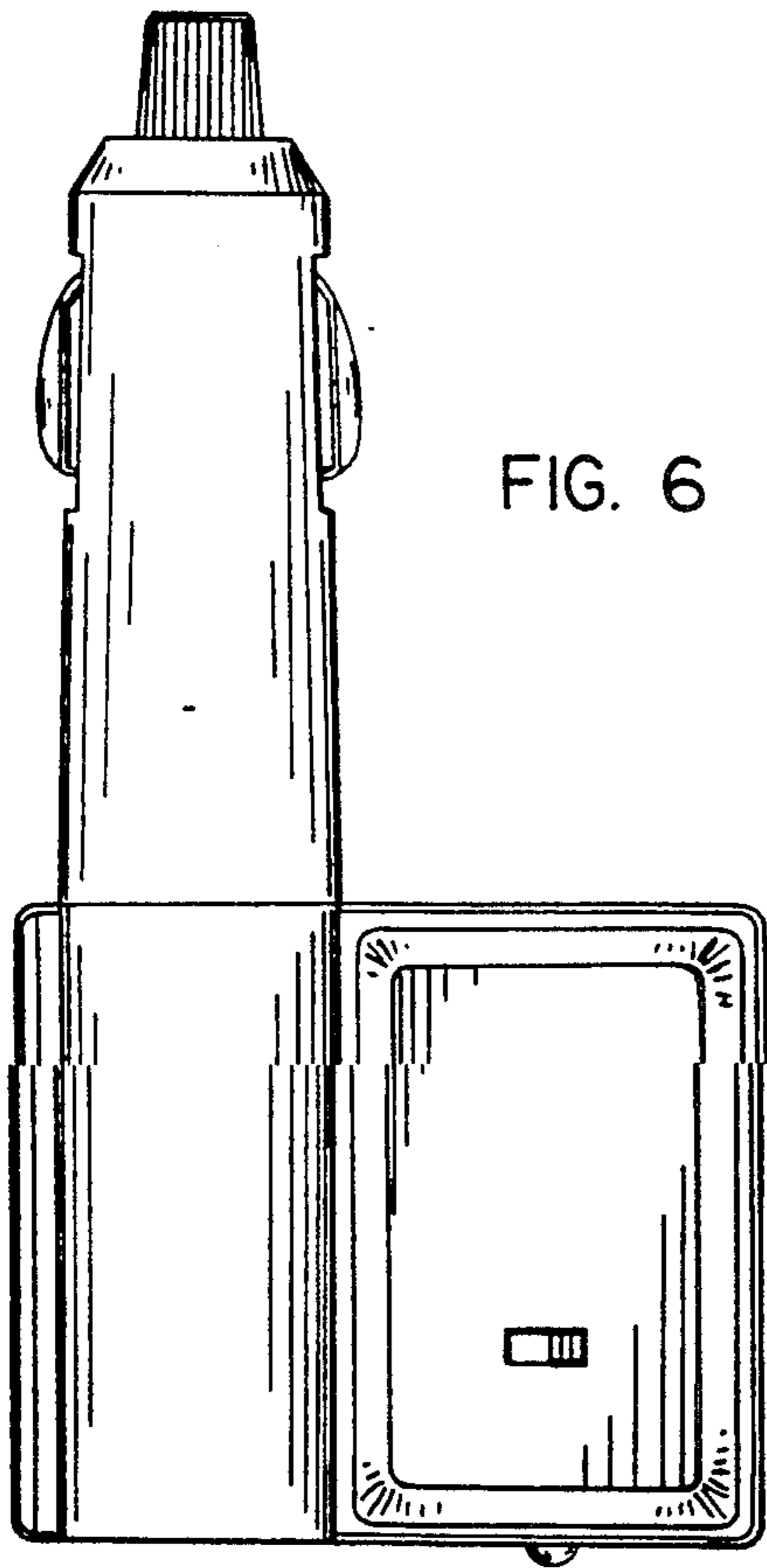


FIG. 7

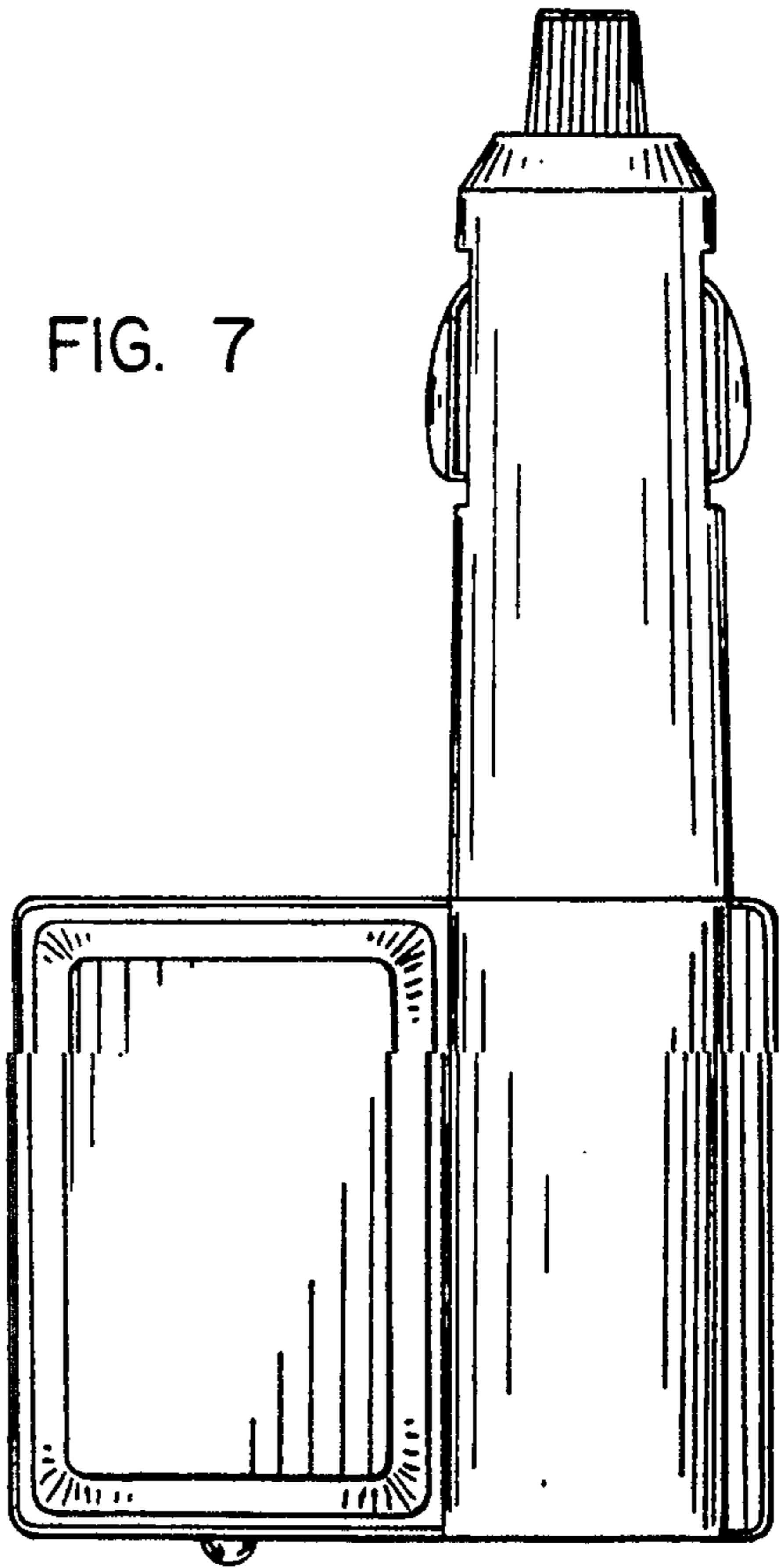


FIG. 4

FIG. 5

