



US00D330698S

United States Patent [19]

Thompson

[11] Patent Number: **Des. 330,698**

[45] Date of Patent: **** Nov. 3, 1992**

[54] **TEMPORARY POWER SUPPLY FOR
COMPUTER PROGRAMMED APPLIANCES**

[76] Inventor: **Guy P. Thompson, 37 Bradley St.,
Bryant, Ark. 72022**

[**] Term: **14 Years**

[21] Appl. No.: **394,510**

[22] Filed: **Aug. 16, 1989**

[52] U.S. Cl. **D13/123**

[58] Field of Search **D10/15, 128-129;
368/203-204, 64, 48, 184, 187, 327; 204/400;
429/163; D13/107, 112, 110, 123; 361/392**

[56] **References Cited**

U.S. PATENT DOCUMENTS

- D. 255,895 7/1980 Mitchell D13/110
- D. 271,684 12/1983 Berry, Jr. D13/123 X
- D. 278,463 4/1985 Vest D13/110 X
- D. 281,414 11/1985 Wolf D13/112
- D. 301,331 5/1989 Rhodin D13/107
- D. 311,899 11/1990 Lenzing et al. D13/123 X
- D. 318,025 7/1991 Moritaka D10/129

- 1,874,828 8/1932 Suss 439/651
- 3,209,230 9/1965 Mas D13/107 X
- 4,283,796 8/1981 Hughes 361/392 X
- 4,469,765 9/1984 McCartney et al. 429/163 X

Primary Examiner—Susan J. Lucas
Assistant Examiner—M. H. Tung
Attorney, Agent, or Firm—Leon Gilden

[57] CLAIM

The ornamental design for a temporary power supply for computer programmed appliances, as shown and described.

DESCRIPTION

FIG. 1 is a front elevational view of a temporary power supply for computer programmed appliances showing my new design;
FIG. 2 is a rear elevational view thereof;
FIG. 3 is a left side elevational view thereof;
FIG. 4 is a right side elevational view thereof;
FIG. 5 is a top plan view thereof;
FIG. 6 is a bottom plan view thereof; and,
FIG. 7 is a top, rear perspective view thereof.

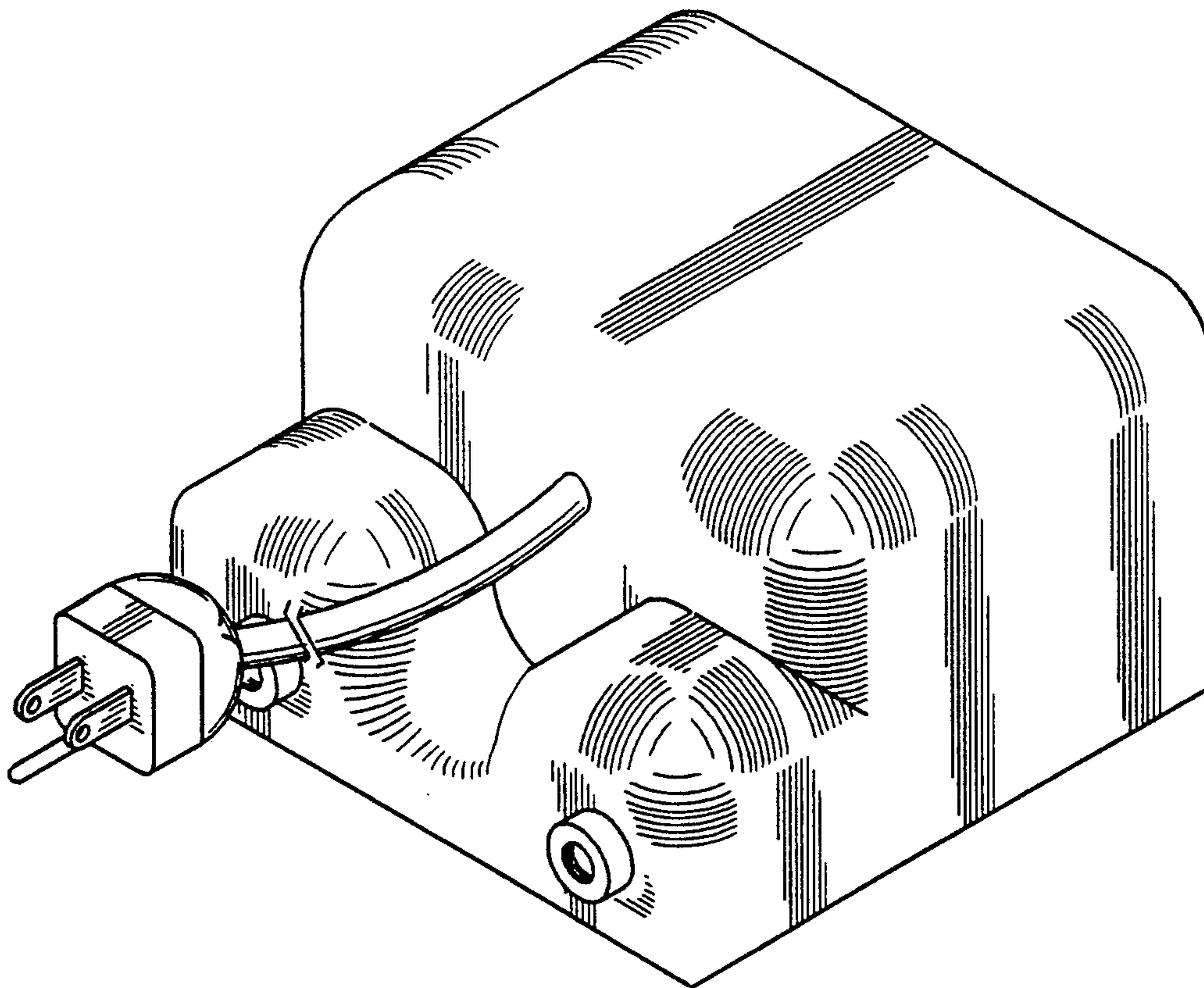


FIG. 1

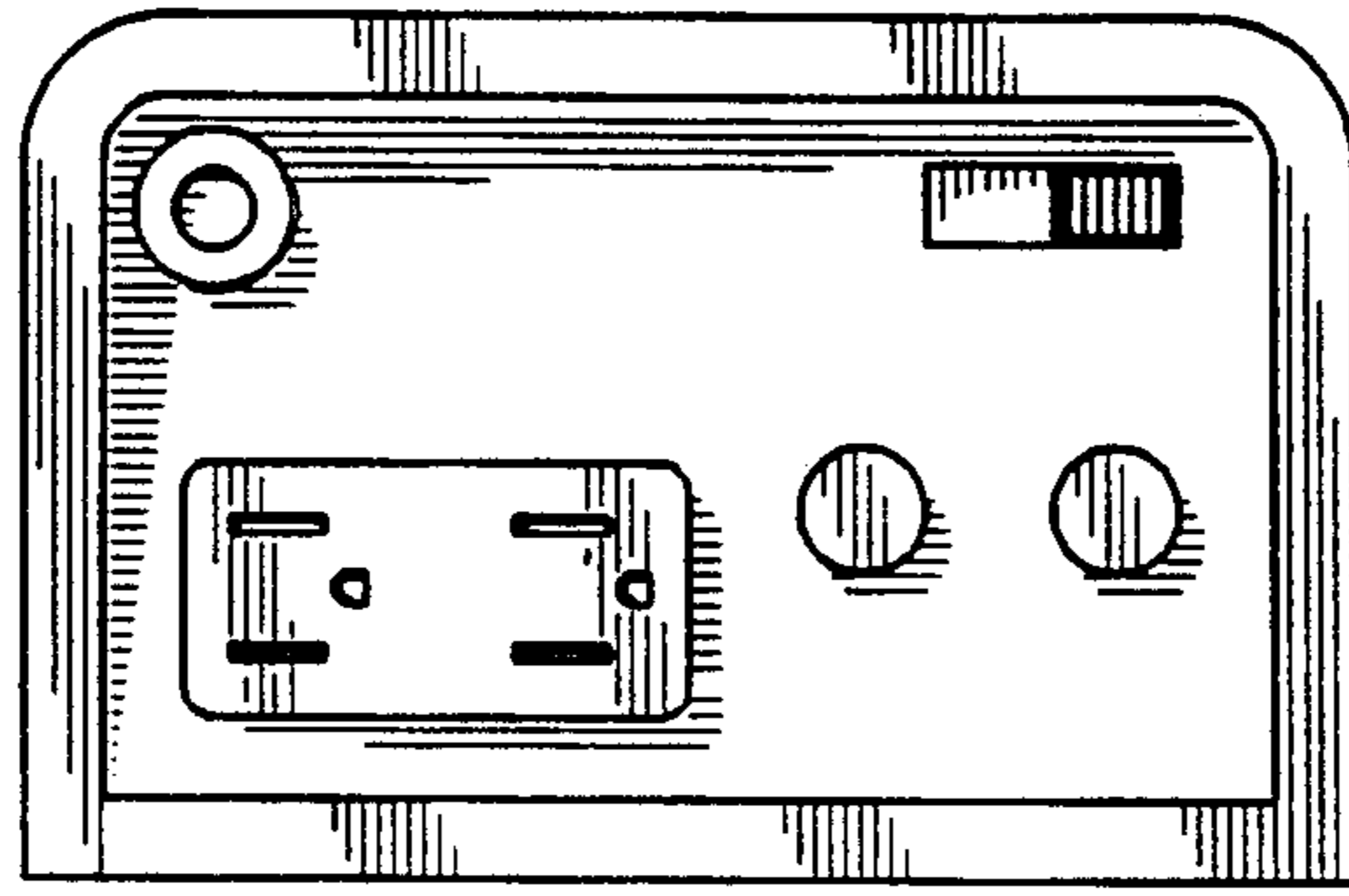


FIG. 2

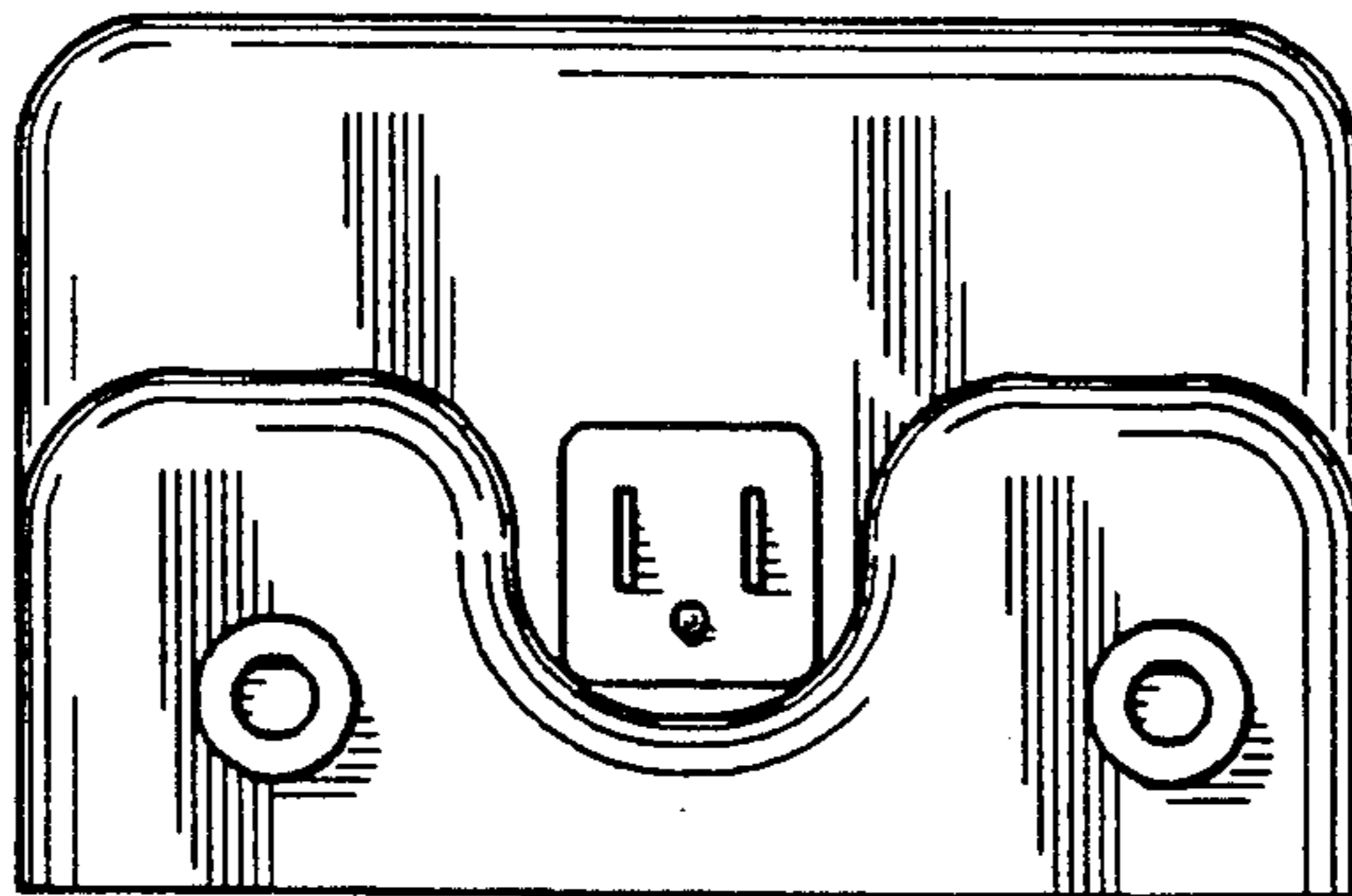


FIG. 3

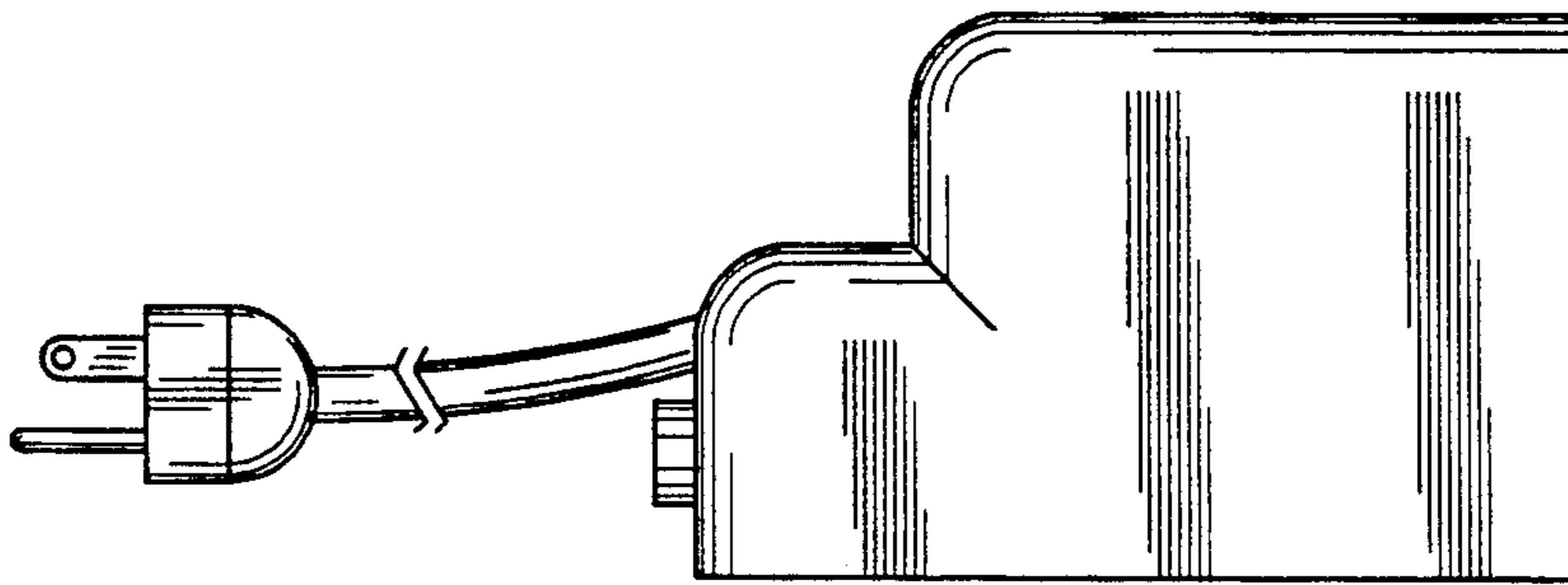


FIG. 4

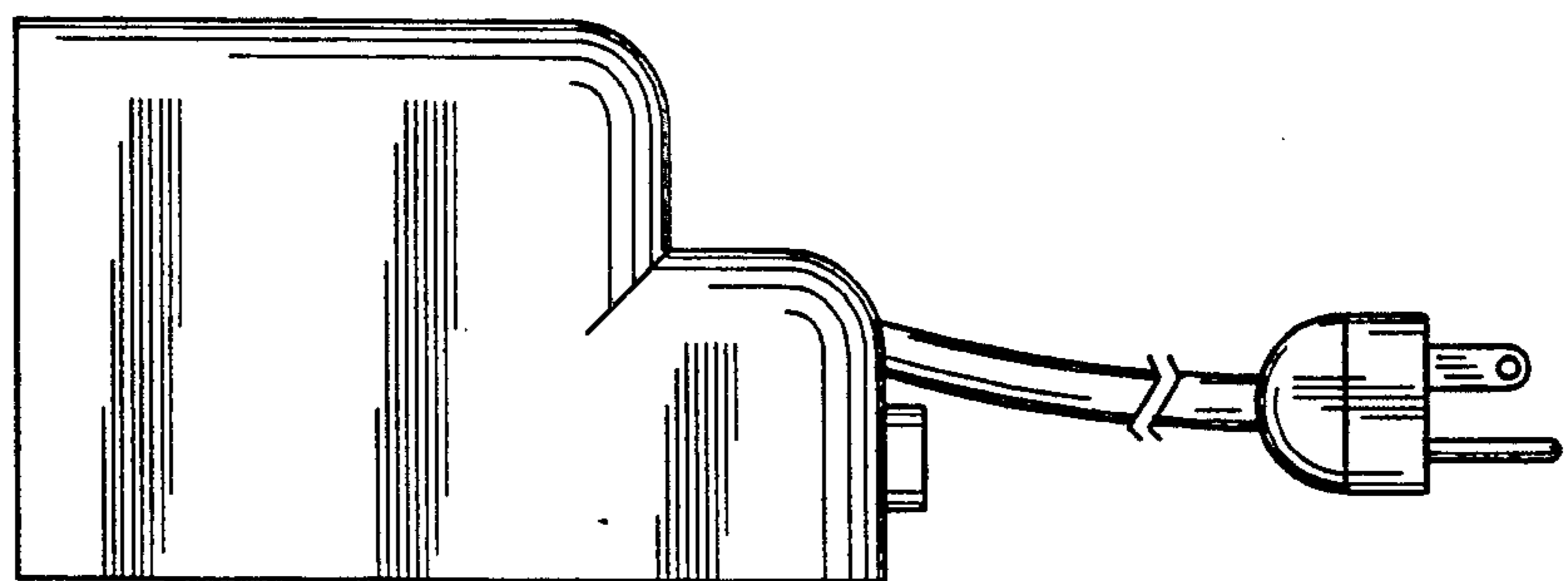


FIG. 5

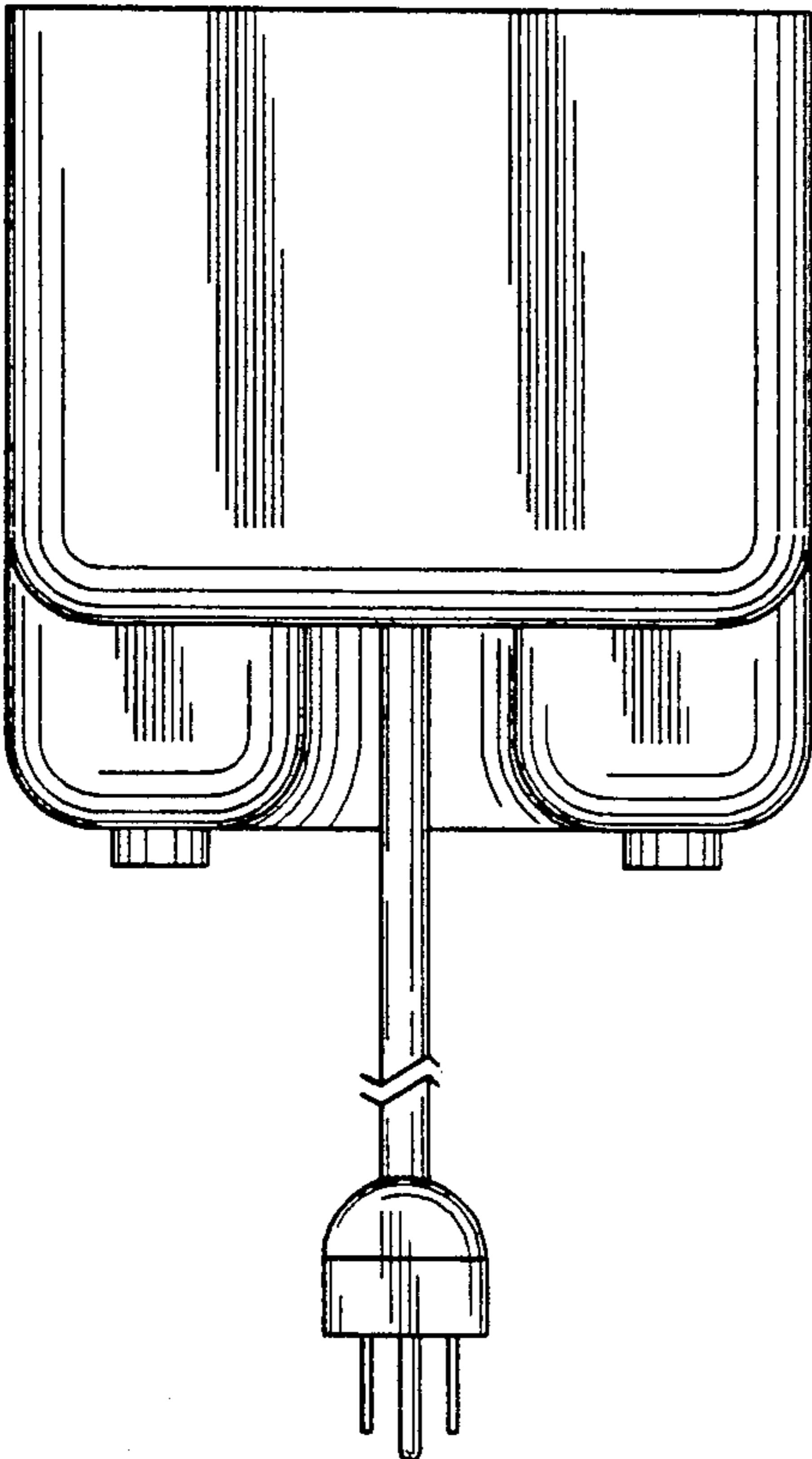


FIG. 6

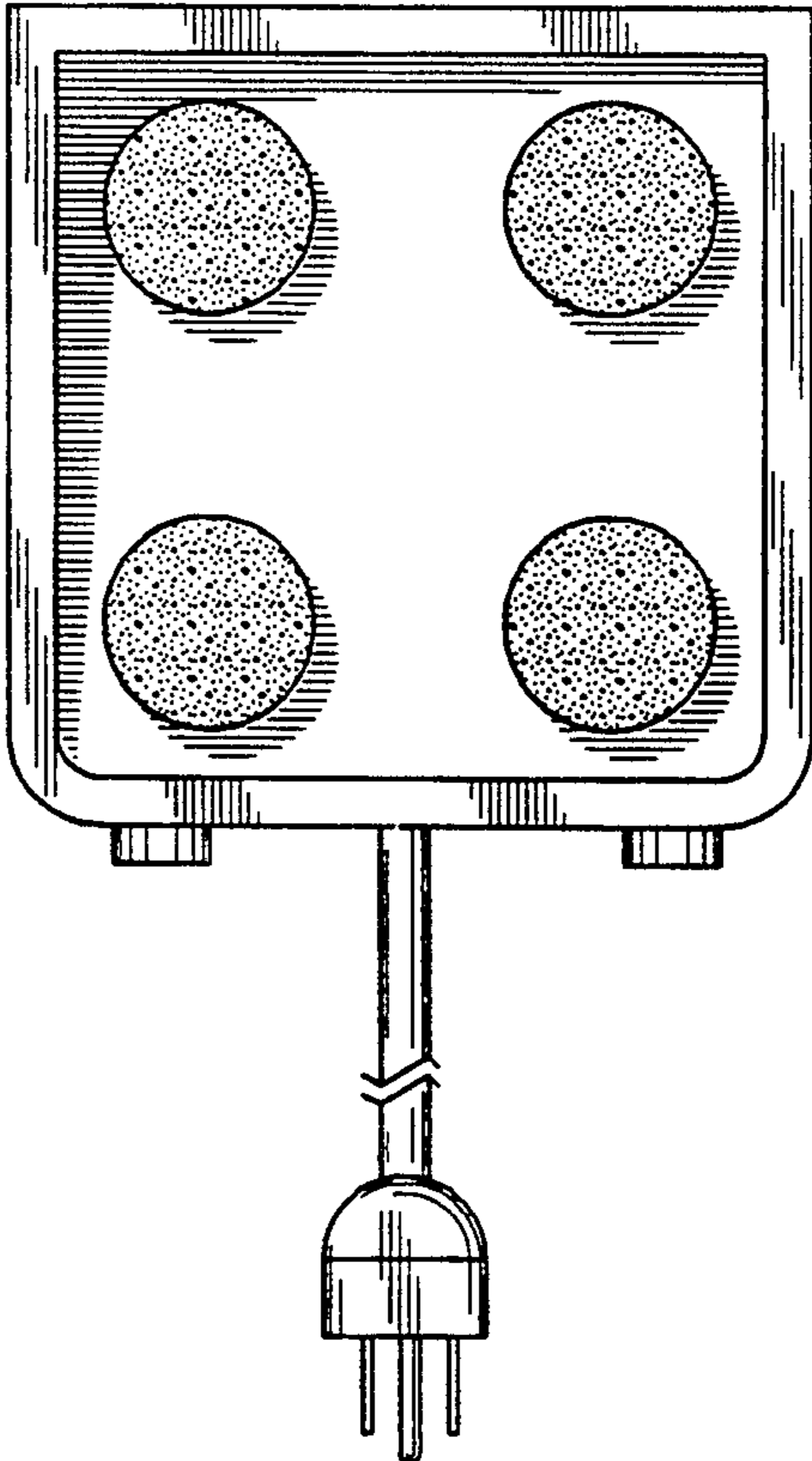


FIG. 7

