



US00D330693S

# United States Patent [19]

[11] Patent Number: **Des. 330,693**

Watanabe et al.

[45] Date of Patent: **\*\* Nov. 3, 1992**

[54] **BATTERY UNIT FOR A PORTABLE RADIO TELEPHONE**

[75] Inventors: **Katsuhito Watanabe; Naoko Seki; Eriko Ino**, all of Tokyo, Japan

[73] Assignee: **Oki Electric Industry Co., Ltd.**, Tokyo, Japan

[\*\*] Term: **14 Years**

[21] Appl. No.: **678,149**

[22] Filed: **Apr. 2, 1991**

[52] U.S. Cl. .... **D13/103**

[58] Field of Search ..... **D13/103; D14/137, 138; 379/99, 428, 433; 429/99**

[56] **References Cited**

**U.S. PATENT DOCUMENTS**

- D. 289,156 4/1987 Pulio ..... D14/138
- D. 305,652 1/1990 Tejima ..... D14/138
- D. 306,594 3/1990 Taylor ..... D14/138 X
- 4,532,194 7/1985 Liautaud et al. .... 429/99

**OTHER PUBLICATIONS**

- Catalogue "TP500" of Panasonic Communications & Systems Company.
- Catalogue "DiamondTel" of Mitsubishi Electronics Co., Ltd.
- Catalogue "Your travel communicator" of Motorola, Inc.

Catalogue "There's Brains Behind This Beauty" of Antel Communications Corp.

*Primary Examiner*—Wallace R. Burke  
*Assistant Examiner*—Joel Sincavage  
*Attorney, Agent, or Firm*—Wenderoth, Lind & Ponack

[57] **CLAIM**

The ornamental design for a battery unit for a portable radiotelephone, as shown and described.

**DESCRIPTION**

FIG. 1 is a front and upper left perspective view of a battery unit for a portable radiotelephone showing our new design;

FIG. 2 is a front elevational view thereof;

FIG. 3 is a rear elevational view thereof. The broken line showing is included for the purpose of illustrating environmental elements only and forms no part of the claimed design;

FIG. 4 is a right side elevational view thereof, the left side elevational view thereof being a mirror image;

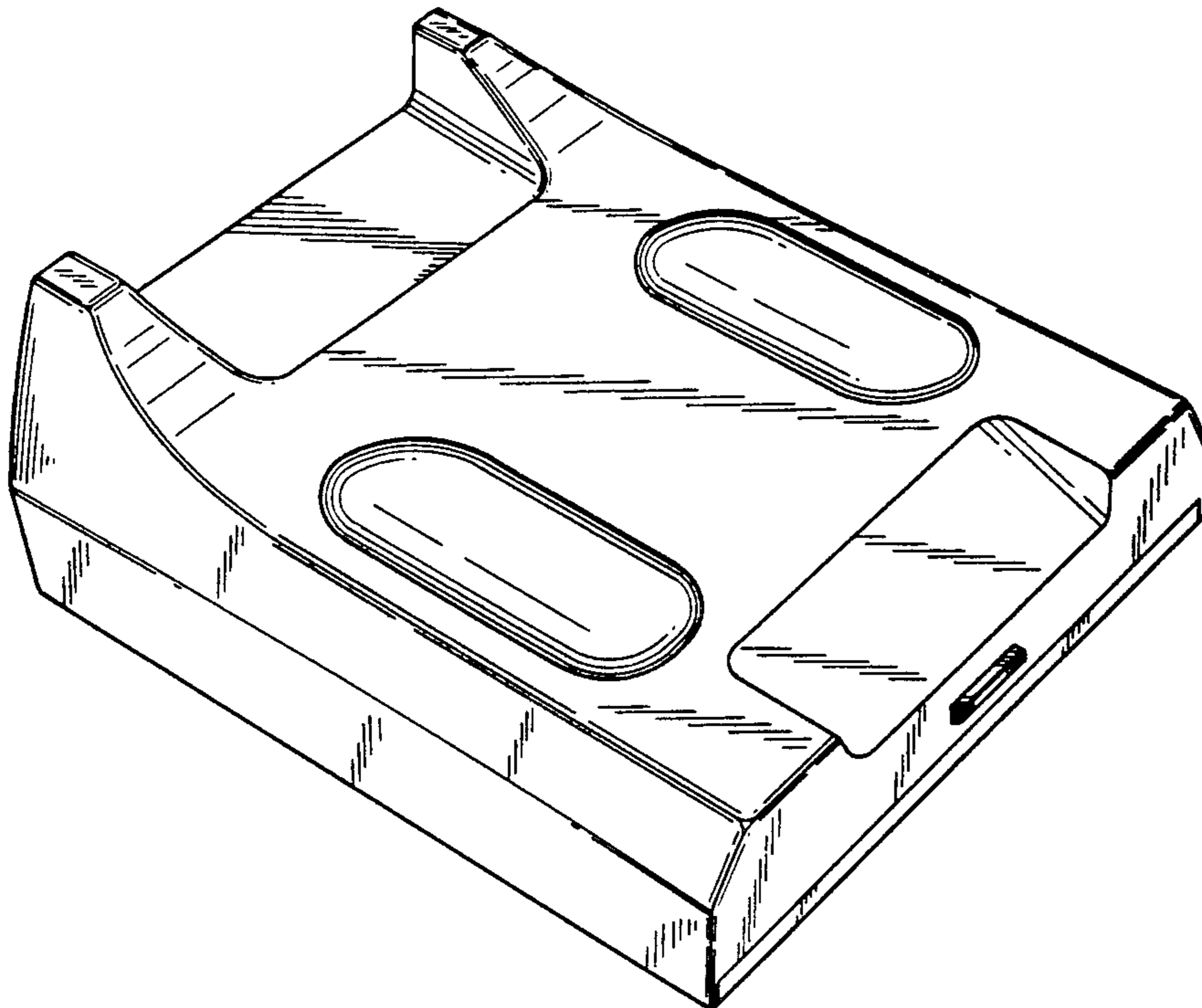
FIG. 5 is a top plan view thereof;

FIG. 6 is a bottom plan view thereof;

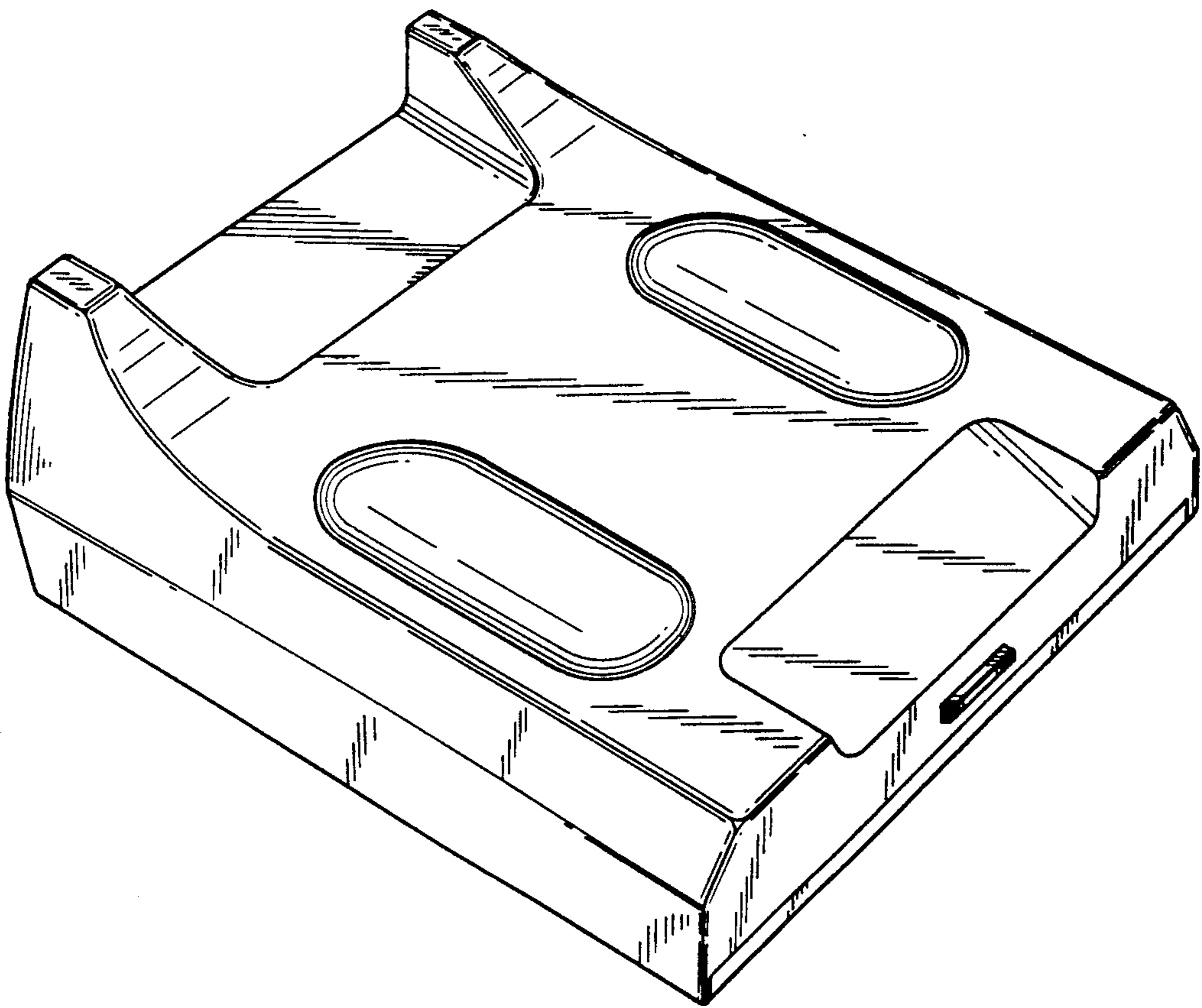
FIG. 7 is a cross-sectional view taken along line 7—7 of FIG. 5;

FIG. 8 is a cross-sectional view thereof taken along line 8—8 of FIG. 5; and,

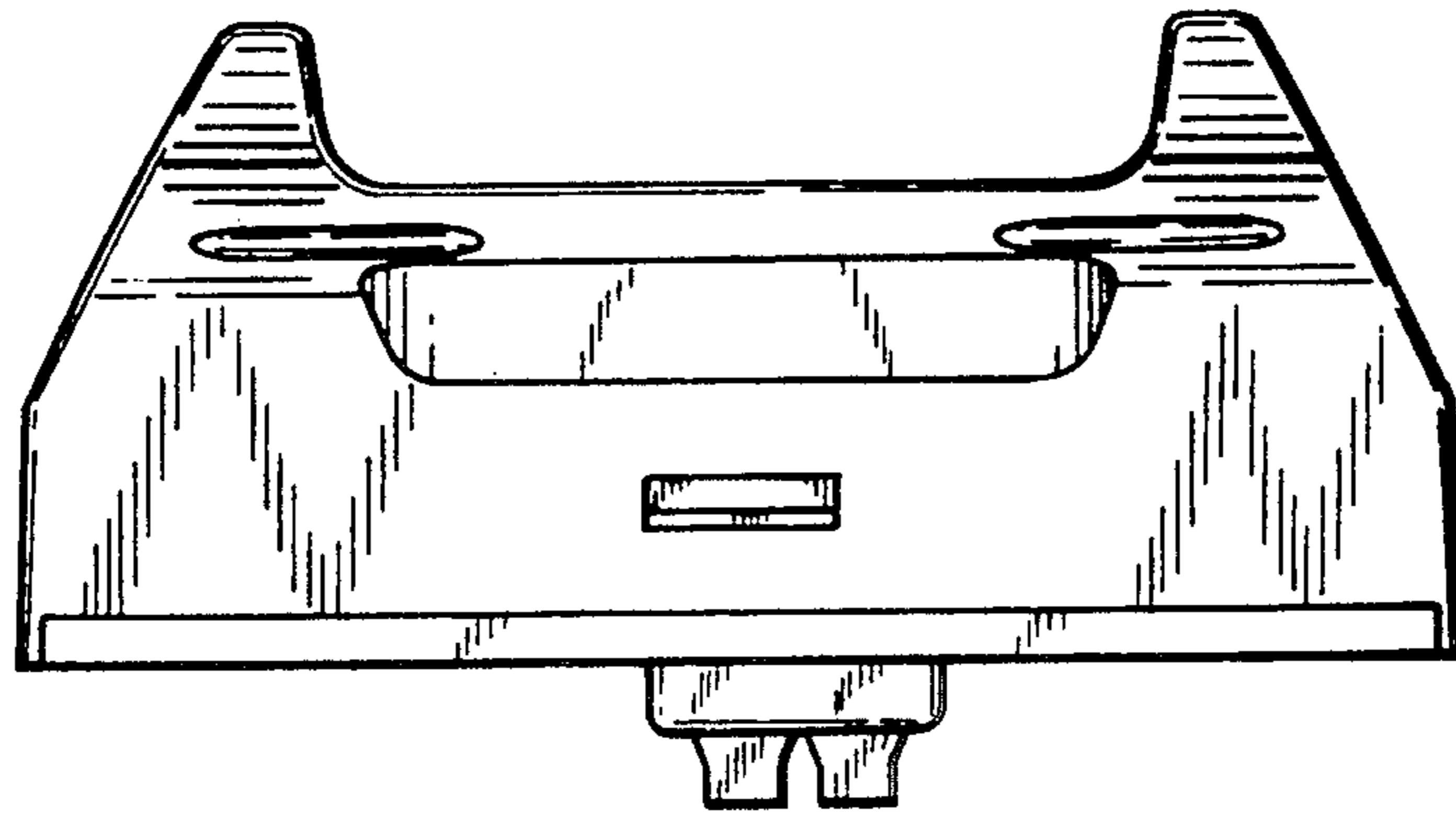
FIG. 9 is a front and upper left perspective view thereof shown on a reduced scale. The broken line showing of the radiotelephone is included for the purpose of illustrating environmental elements only and forms no part of the claimed design.



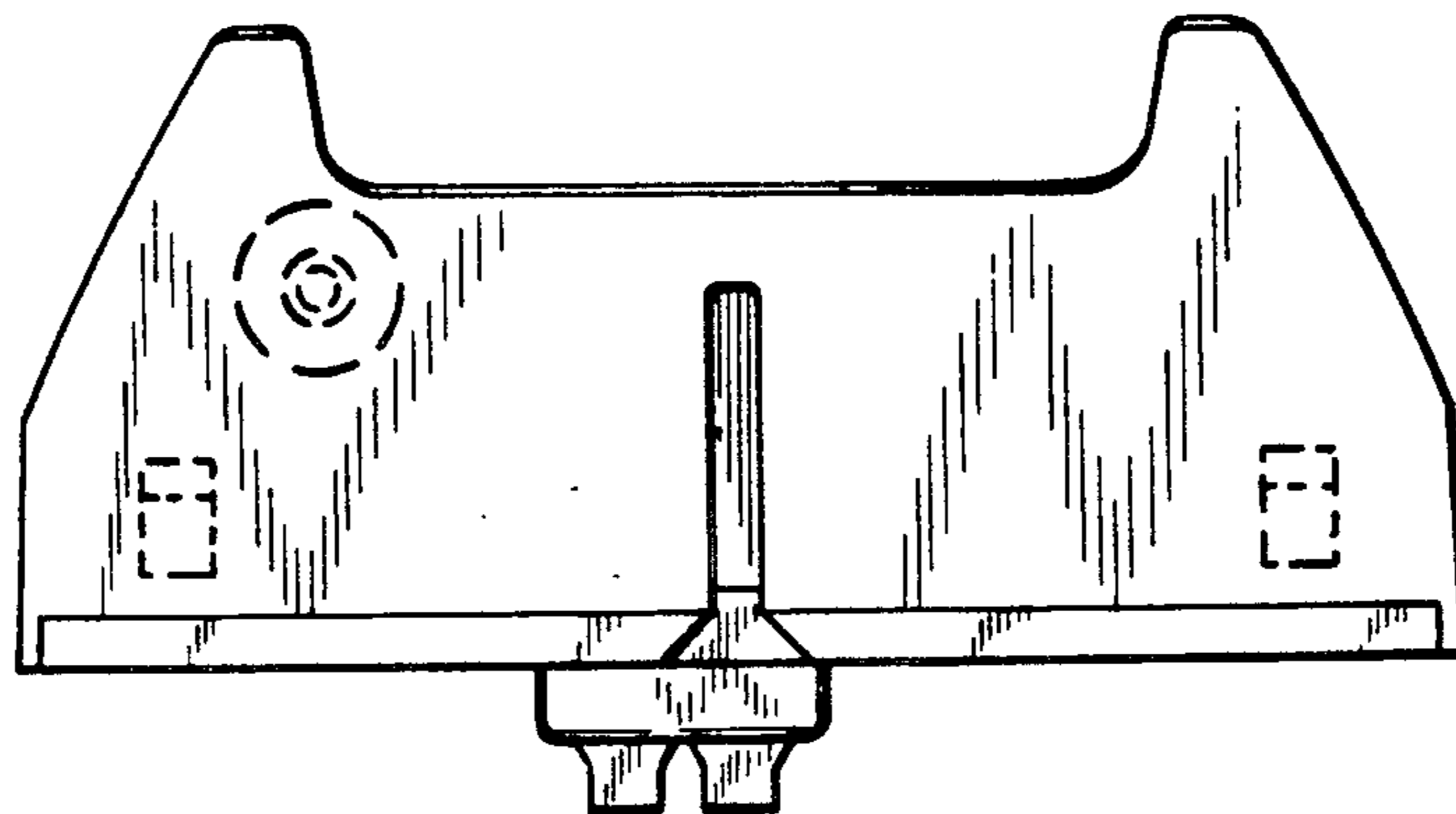
*Fig. 1*



*Fig. 2*



*Fig. 3*



*Fig. 4*

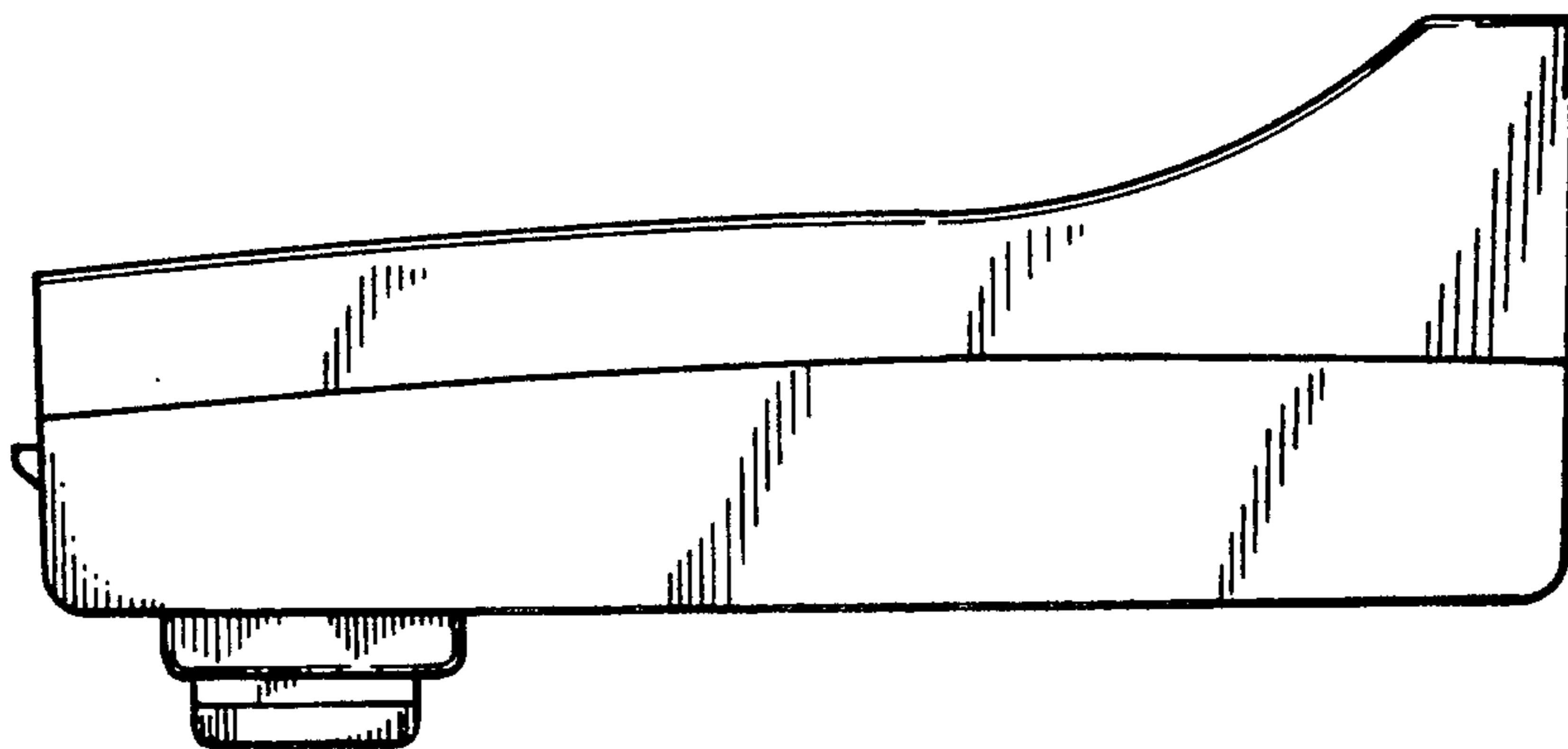
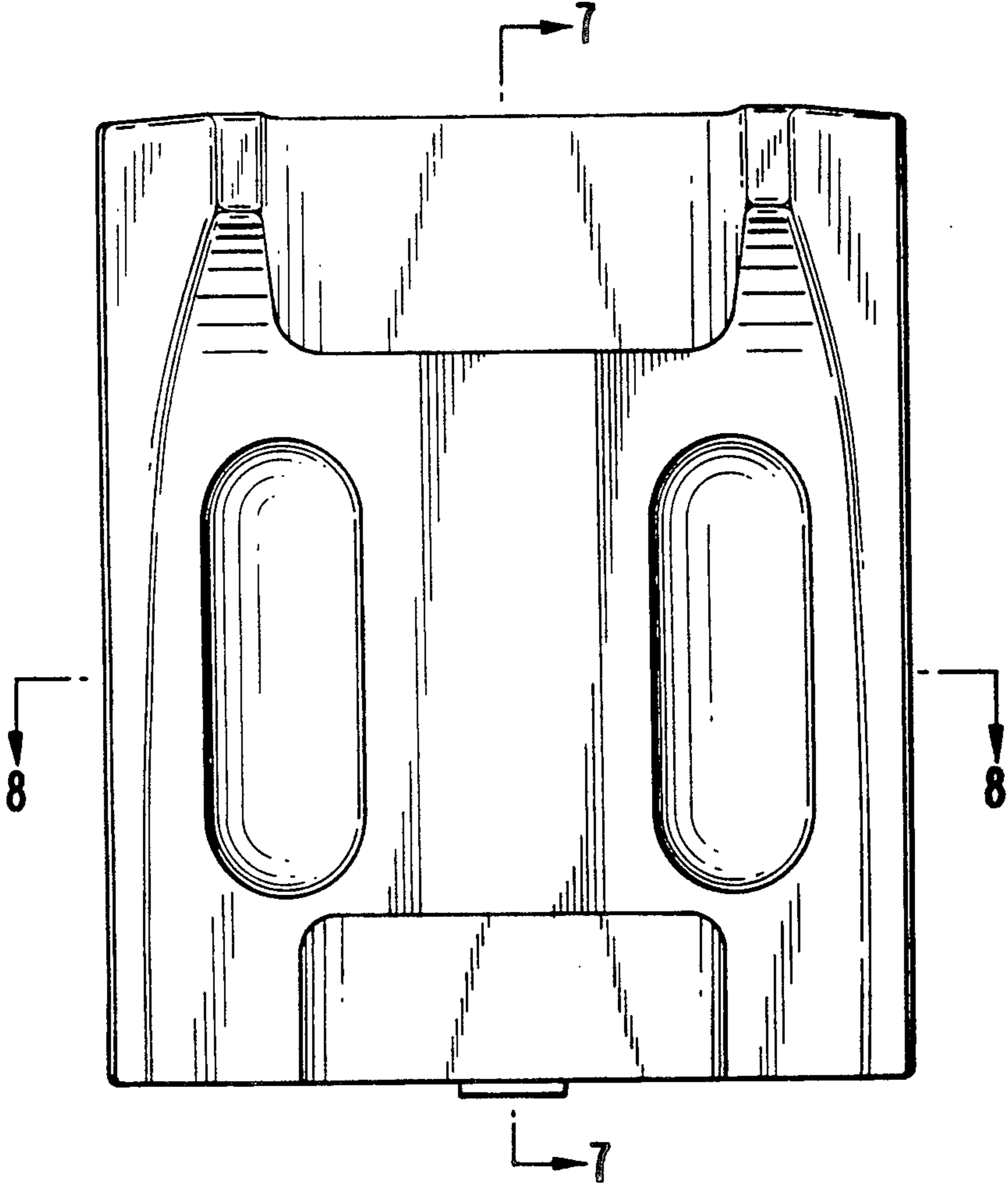
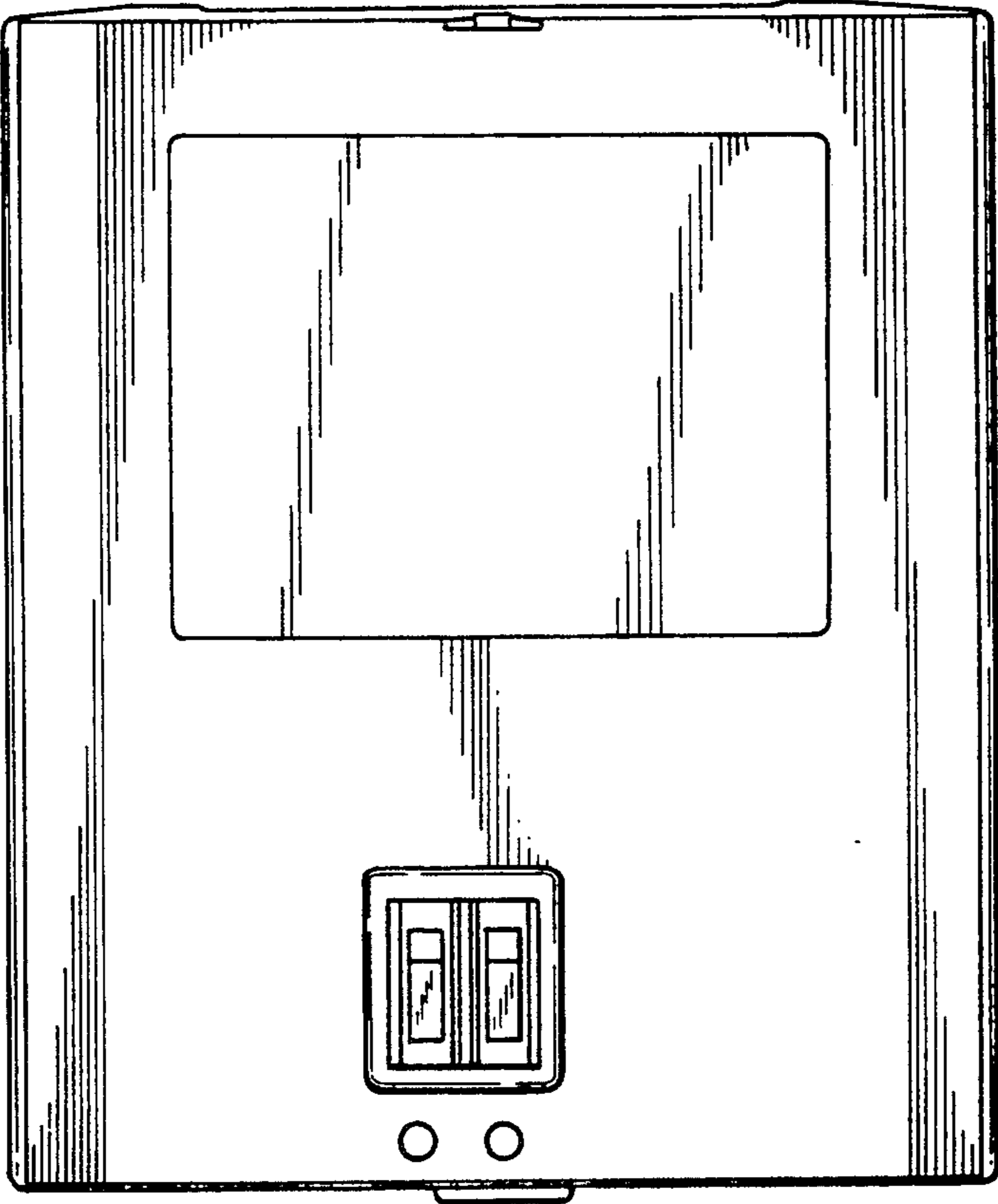


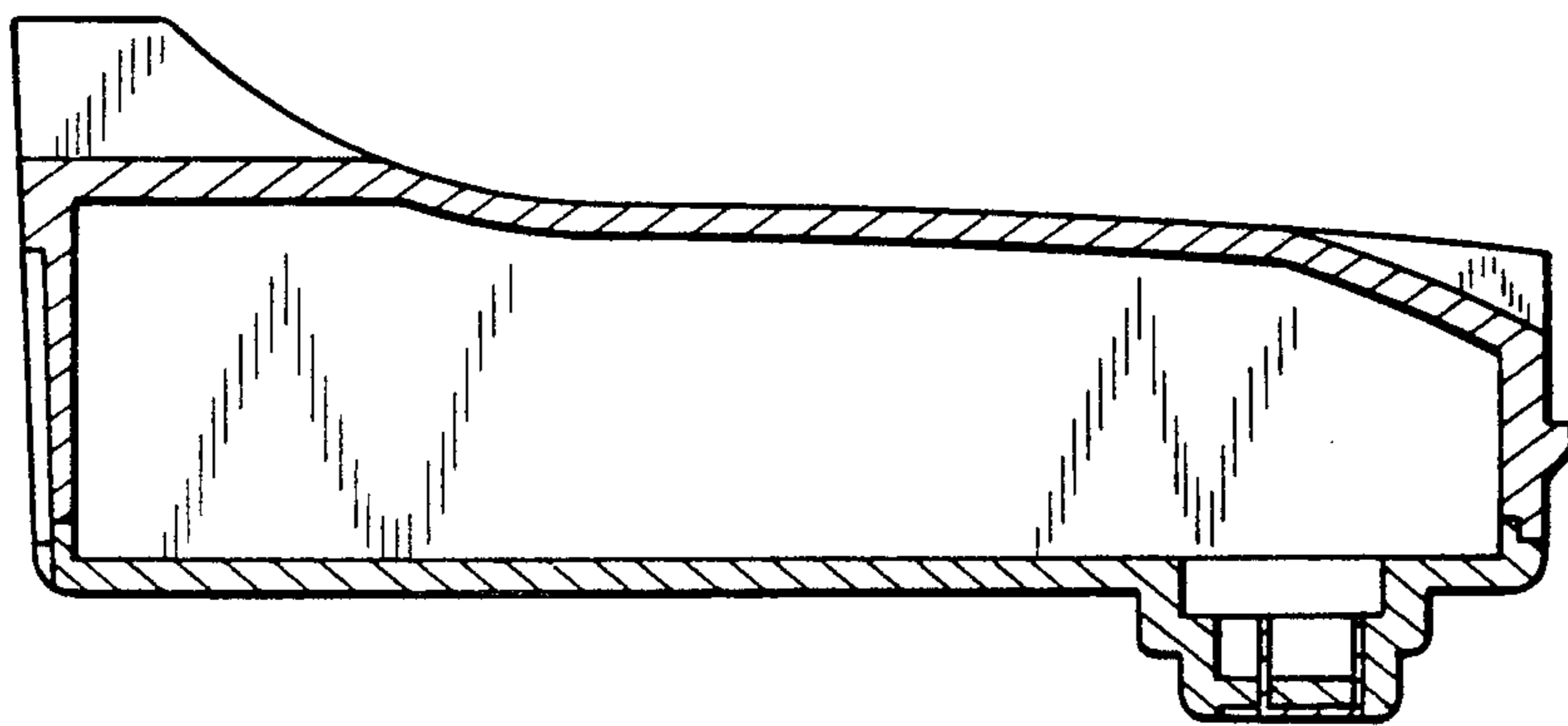
Fig. 5



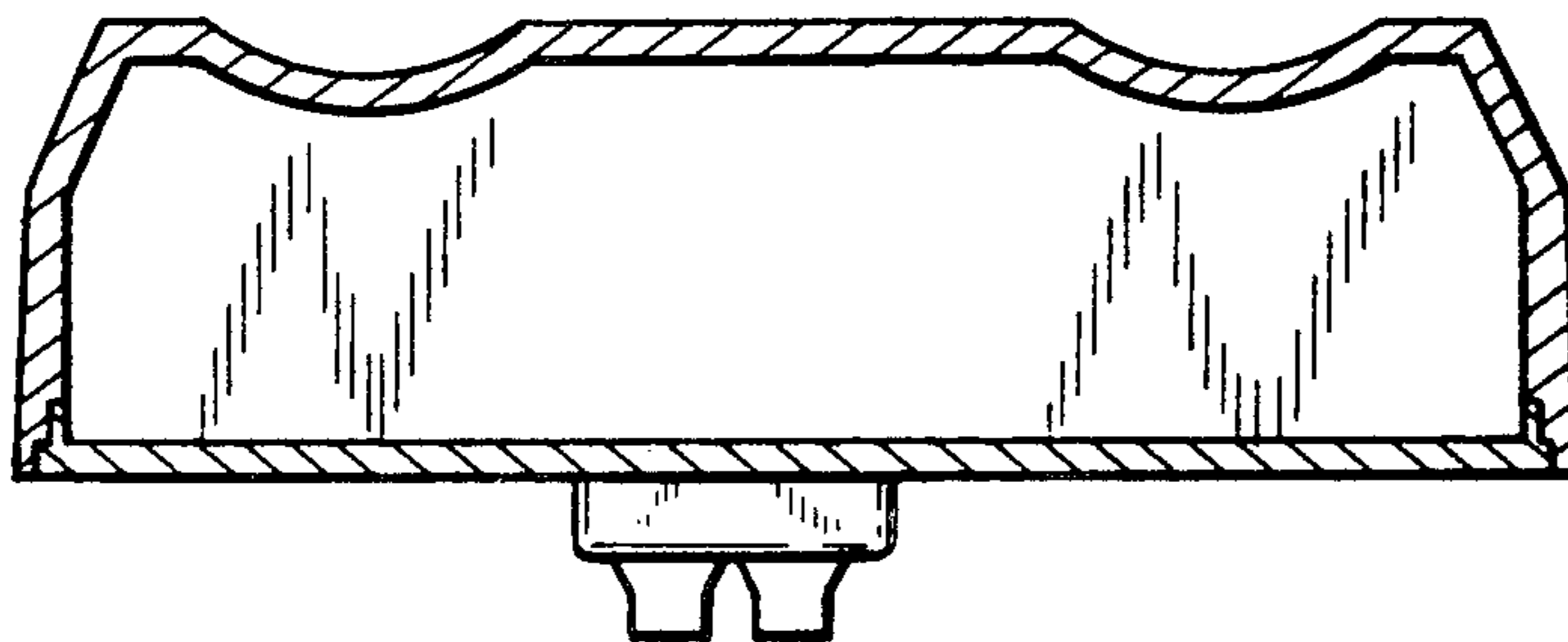
*Fig. 6*



*Fig. 7*



*Fig. 8*



*Fig. 9*

