



US00D330690S

# United States Patent [19]

Miceli

[11] Patent Number: **Des. 330,690**

[45] Date of Patent: **\*\* Nov. 3, 1992**

[54] **FRAME FOR MULTI-WHEELED VEHICLE**

[76] Inventor: **Ciro J. R. Miceli**, 15 Windridge St., Aliso Viejo, Calif. 92656

[\*\*] Term: **14 Years**

[21] Appl. No.: **663,706**

[22] Filed: **Mar. 4, 1991**

[52] U.S. Cl. .... **D12/107**

[58] Field of Search ..... **D12/107; 280/282, 267; 180/311, 312, 233, 315**

4,623,167	11/1986	Matsubayashi et al. ....	280/282
4,662,467	5/1987	Arai et al. ....	280/282
4,735,275	4/1988	Tsukahara et al. ....	280/282

*Primary Examiner*—Wallace R. Burke  
*Assistant Examiner*—Melody Brown  
*Attorney, Agent, or Firm*—Allan M. Shapiro

[57] **CLAIM**

The ornamental design for a frame for multi-wheeled vehicle, as shown and described.

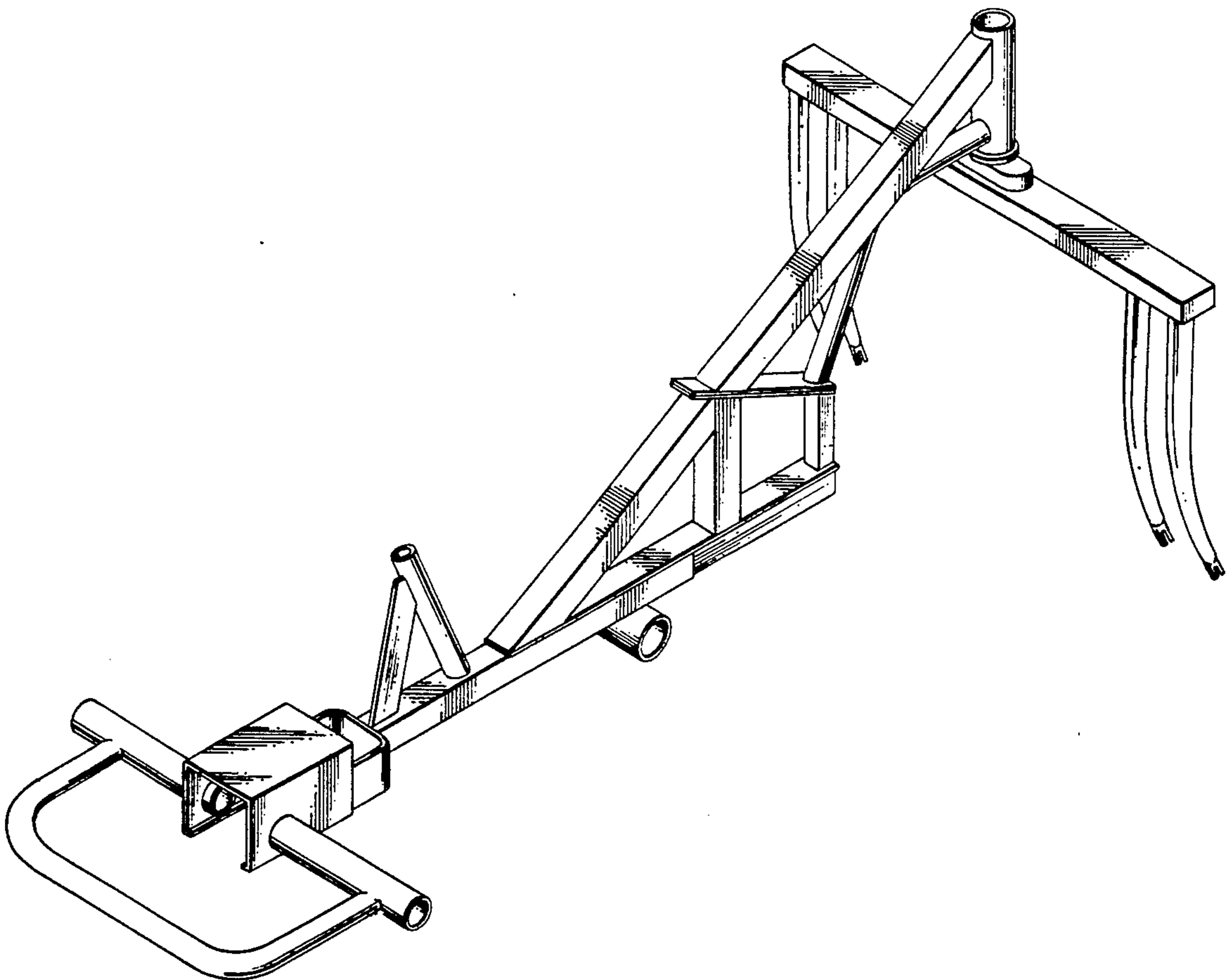
**DESCRIPTION**

FIG. 1 is a perspective view of a frame for multi-wheeled vehicle, showing my new design; FIG. 2 is a side elevational view thereof; the opposite side is the mirror image thereof; and, FIG. 3 is a bottom plan view thereof.

[56] **References Cited**

**U.S. PATENT DOCUMENTS**

4,351,410	9/1982	Townsend .....	280/267
4,621,826	11/1986	Ziegler, Jr. ....	280/282



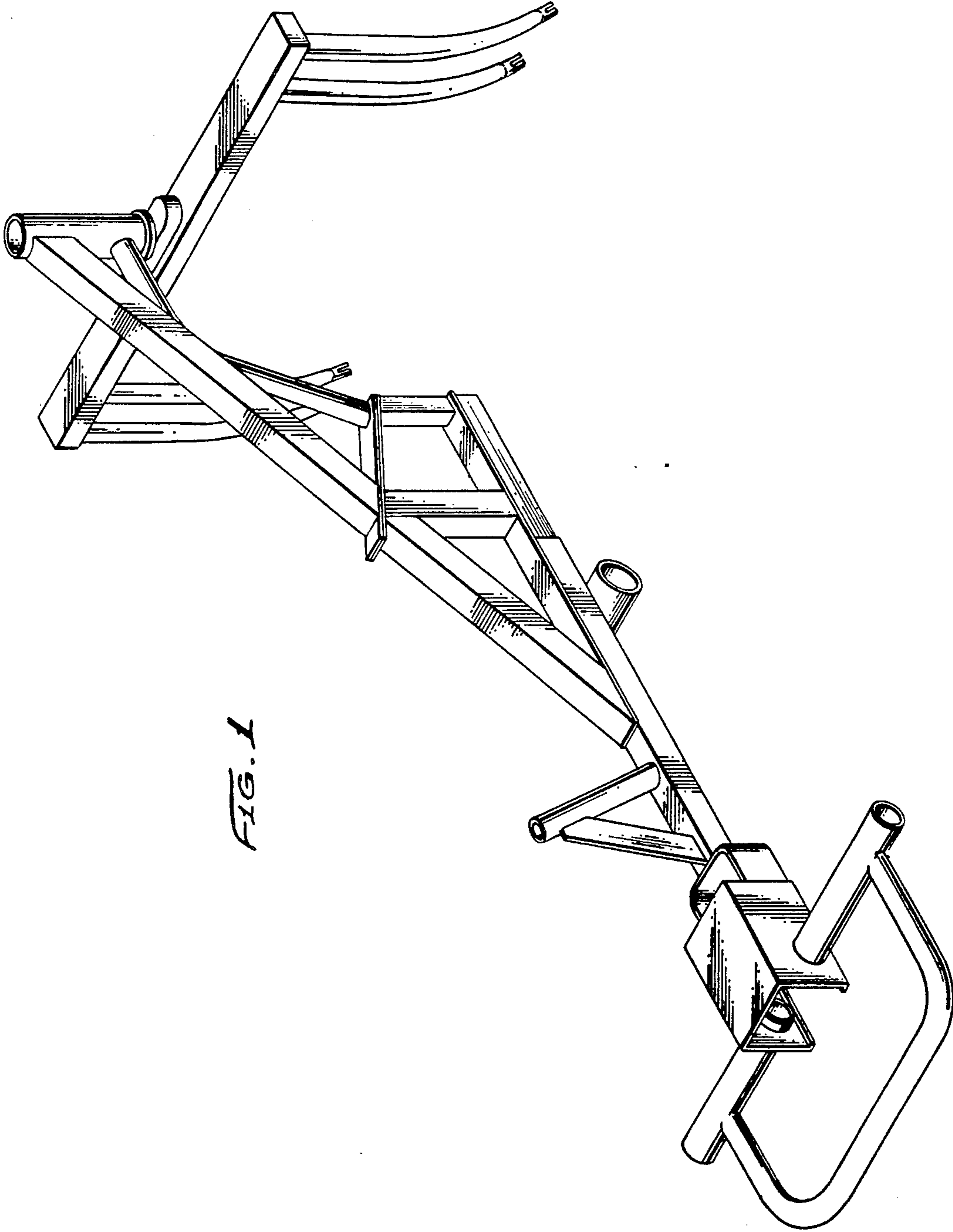


FIG. 1

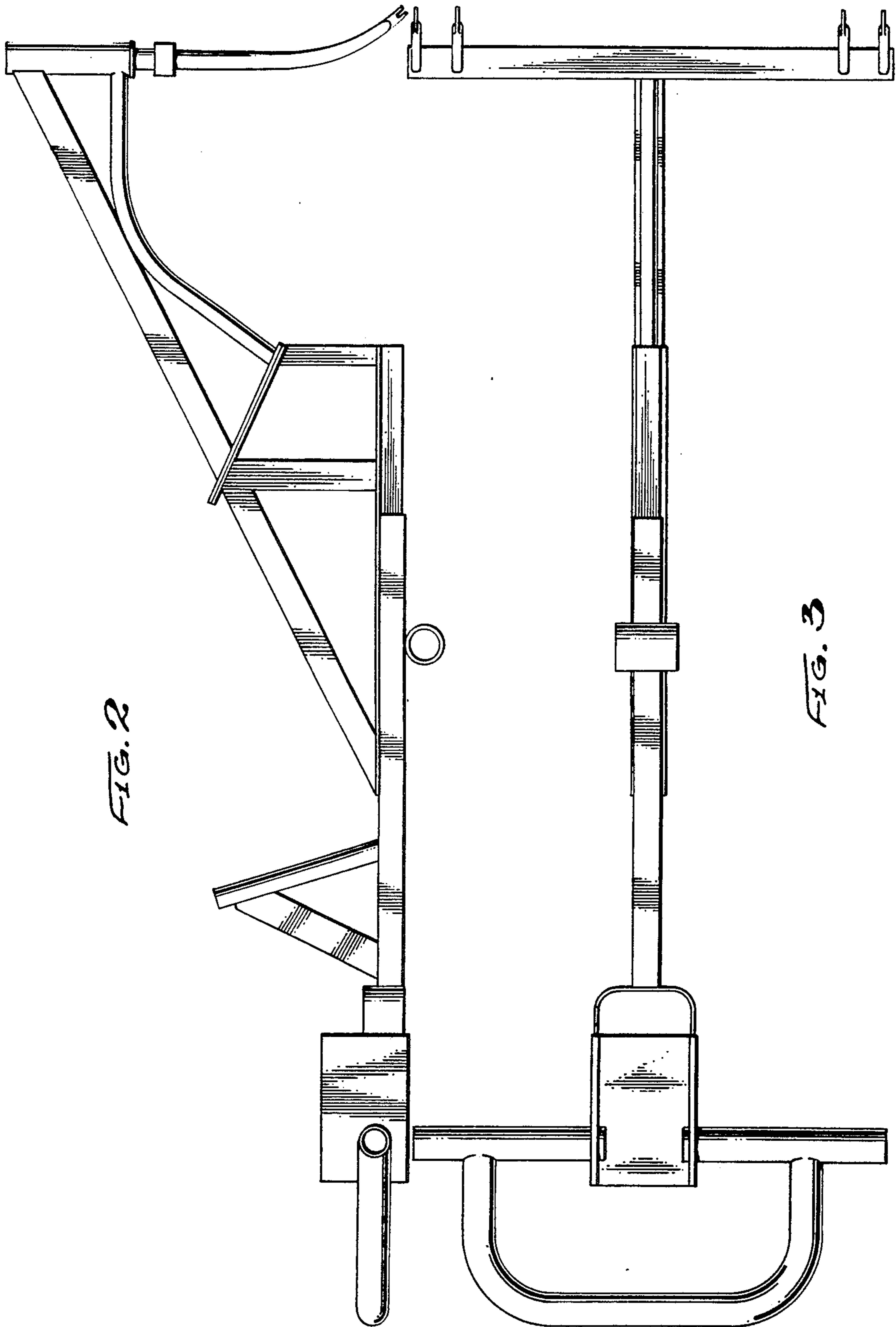


FIG. 2

FIG. 3