



US00D330688S

United States Patent [19]

[11] Patent Number: **Des. 330,688**

Haines

[45] Date of Patent: **** Nov. 3, 1992**

[54] TIE CLIP

4,099,300 7/1978 Wolak D11/202

[76] Inventor: **Patrick R. Haines**, 19915 SE. 296th, Kent, Wash. 98042

Primary Examiner—A. Hugo Word
Assistant Examiner—R. Seifert
Attorney, Agent, or Firm—R. Reams Goodloe, Jr.

[**] Term: **14 Years**

[57] **CLAIM**

[21] Appl. No.: **620,933**

The ornamental design for a tie clip, as shown.

[22] Filed: **Dec. 3, 1990**

DESCRIPTION

[52] U.S. Cl. **D11/202; D11/78.1**

[58] Field of Search **D11/200-205, D11/78.1; 24/49 R, 49 CC, 49 D, 49 K, 49 C, 48, 49 TS, 49 CF, 49 P, 50-52**

FIG. 1 is a perspective view of a tie clip showing my new design;

FIG. 2 is a front elevational view;

FIG. 3 is a rear elevational view;

FIG. 4 is a right side elevational view;

FIG. 5 is a left side elevational view;

FIG. 6 is a top plan view;

FIG. 7 is a bottom plan view;

FIG. 8 is a perspective view of a tie clip showing a second embodiment of my new design;

FIG. 9 is a front elevational view of FIG. 8;

FIG. 10 is a rear elevational view of FIG. 8;

FIG. 11 is a right side elevational view of FIG. 8;

FIG. 12 is a left side elevational view of FIG. 8;

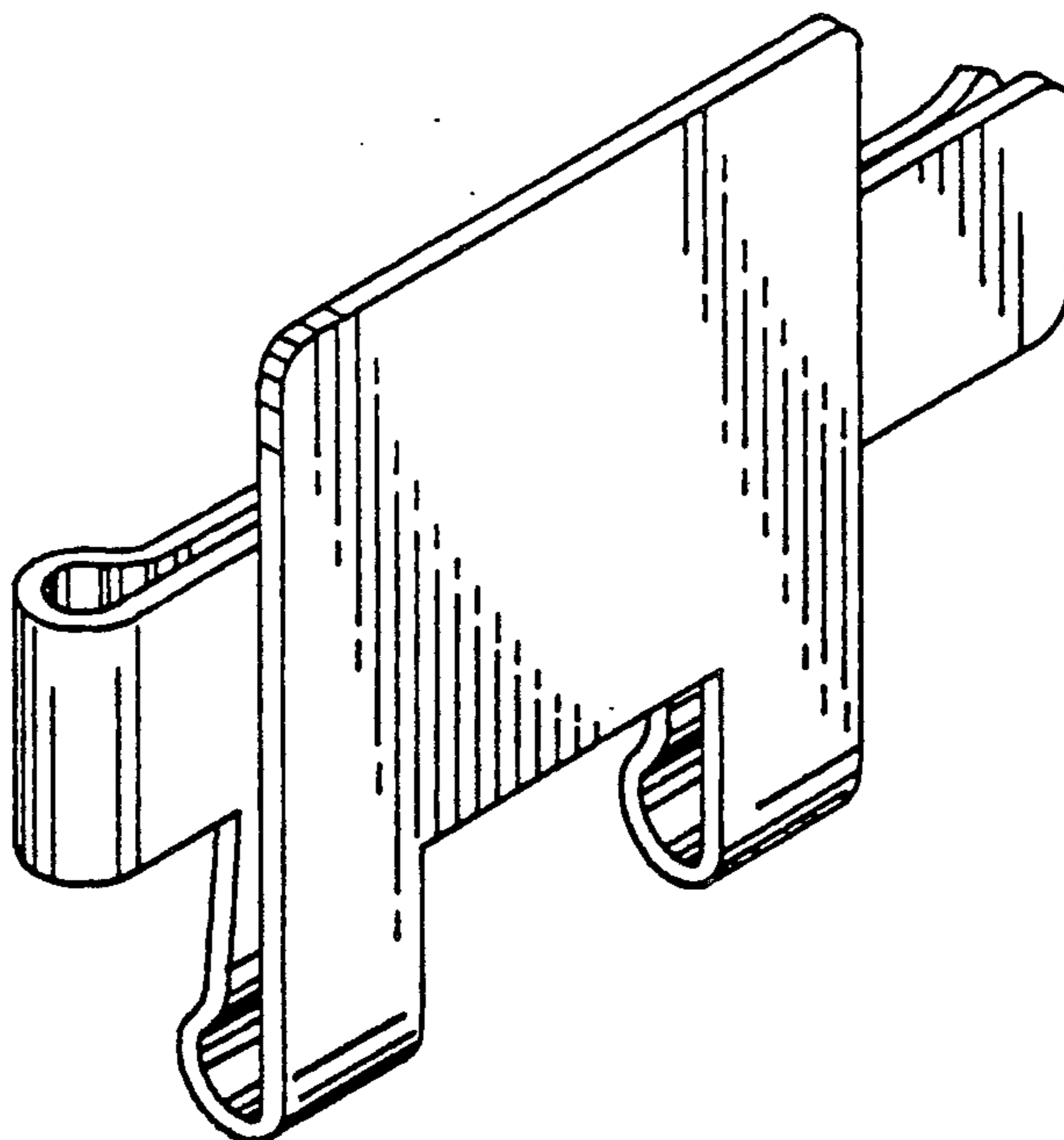
FIG. 13 is a top plan view of FIG. 8; and,

FIG. 14 is a bottom plan view of FIG. 8.

[56] **References Cited**

U.S. PATENT DOCUMENTS

29,871	12/1898	Buell	D11/202
32,985	7/1900	Musselman	D11/202
D. 139,837	12/1944	Tamis	D11/202
167,300	8/1875	Burnham, Jr.	24/49 CC
D. 221,412	8/1971	Laughlin	D11/78.1
2,121,402	6/1938	Knoebel, Jr.	D11/202
2,845,172	7/1958	Fridolph	D11/78.1
3,100,494	8/1963	Littman	D11/78.1
3,793,681	2/1974	Casstevens, Jr. et al.	24/49 CF
3,802,032	4/1974	Weed	24/49 C



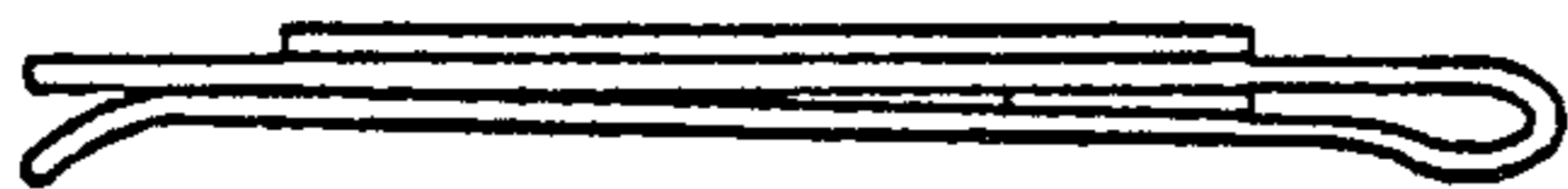
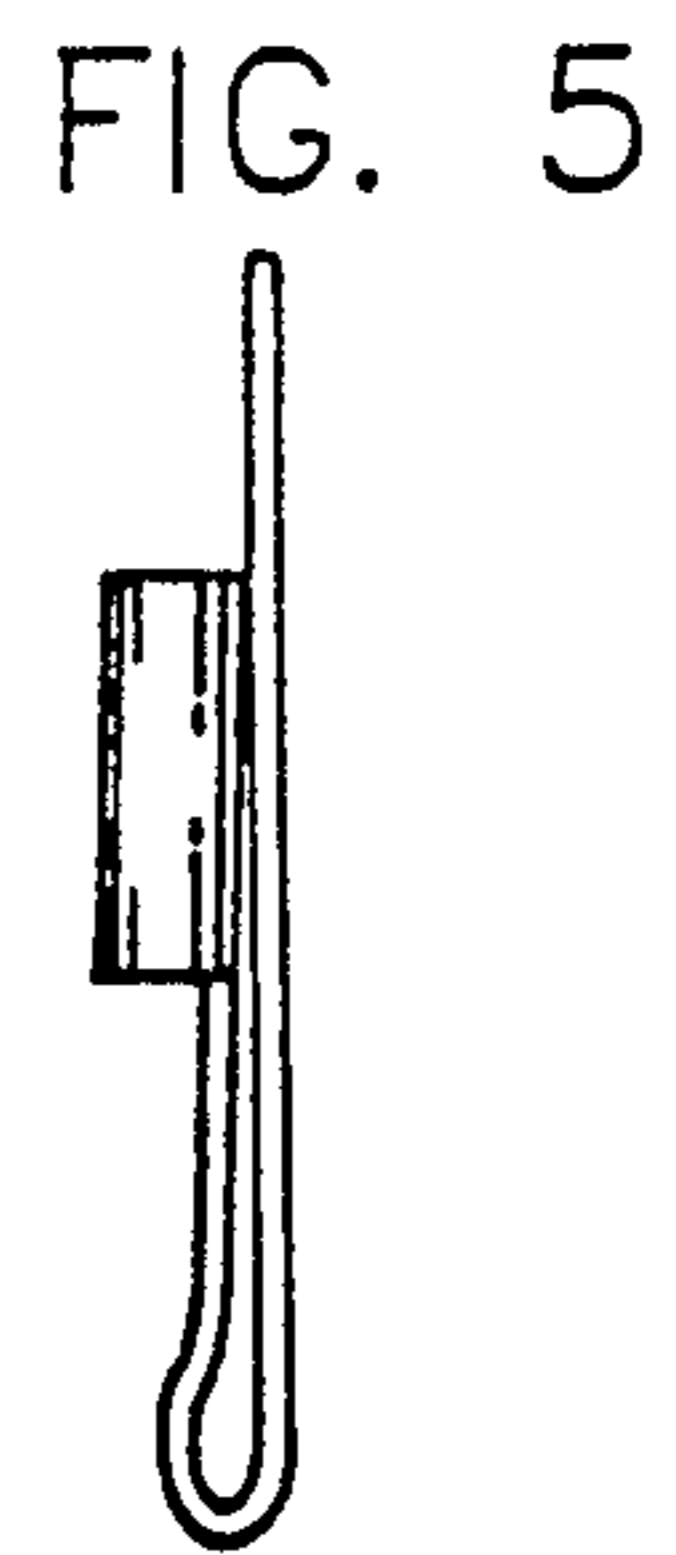
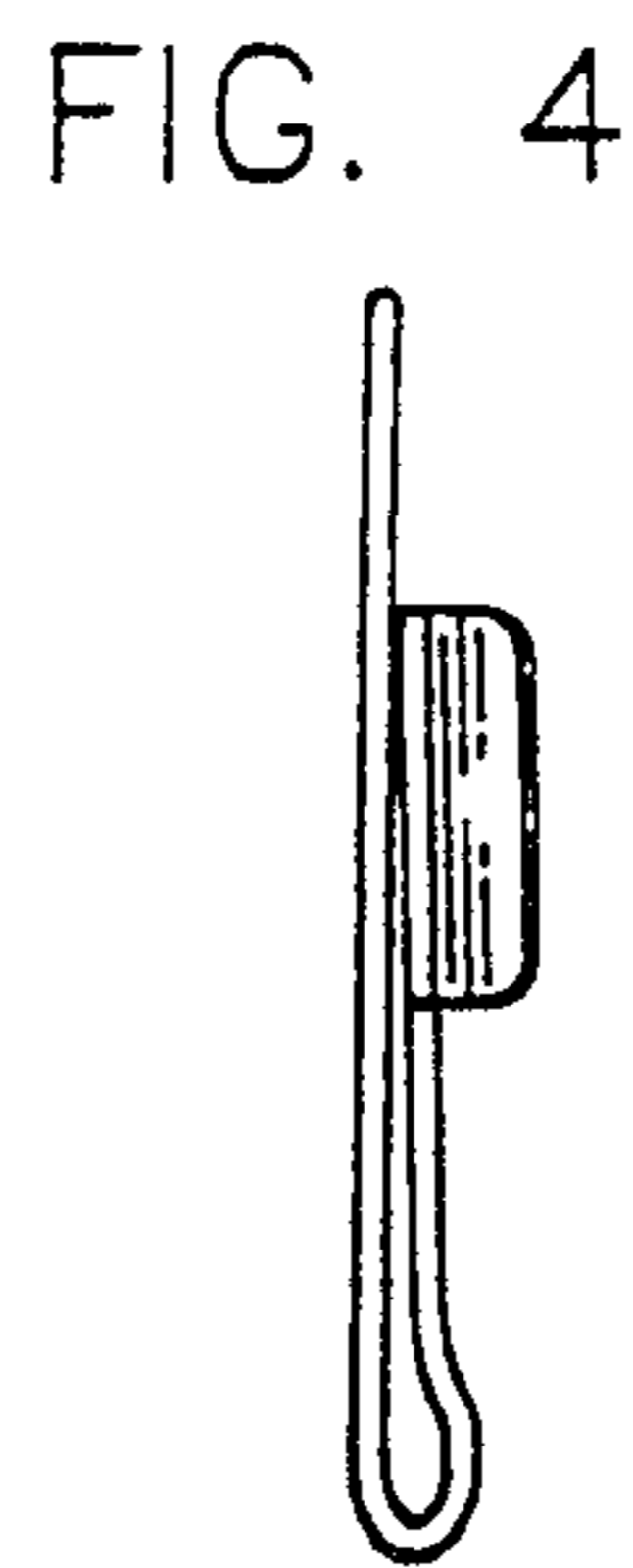
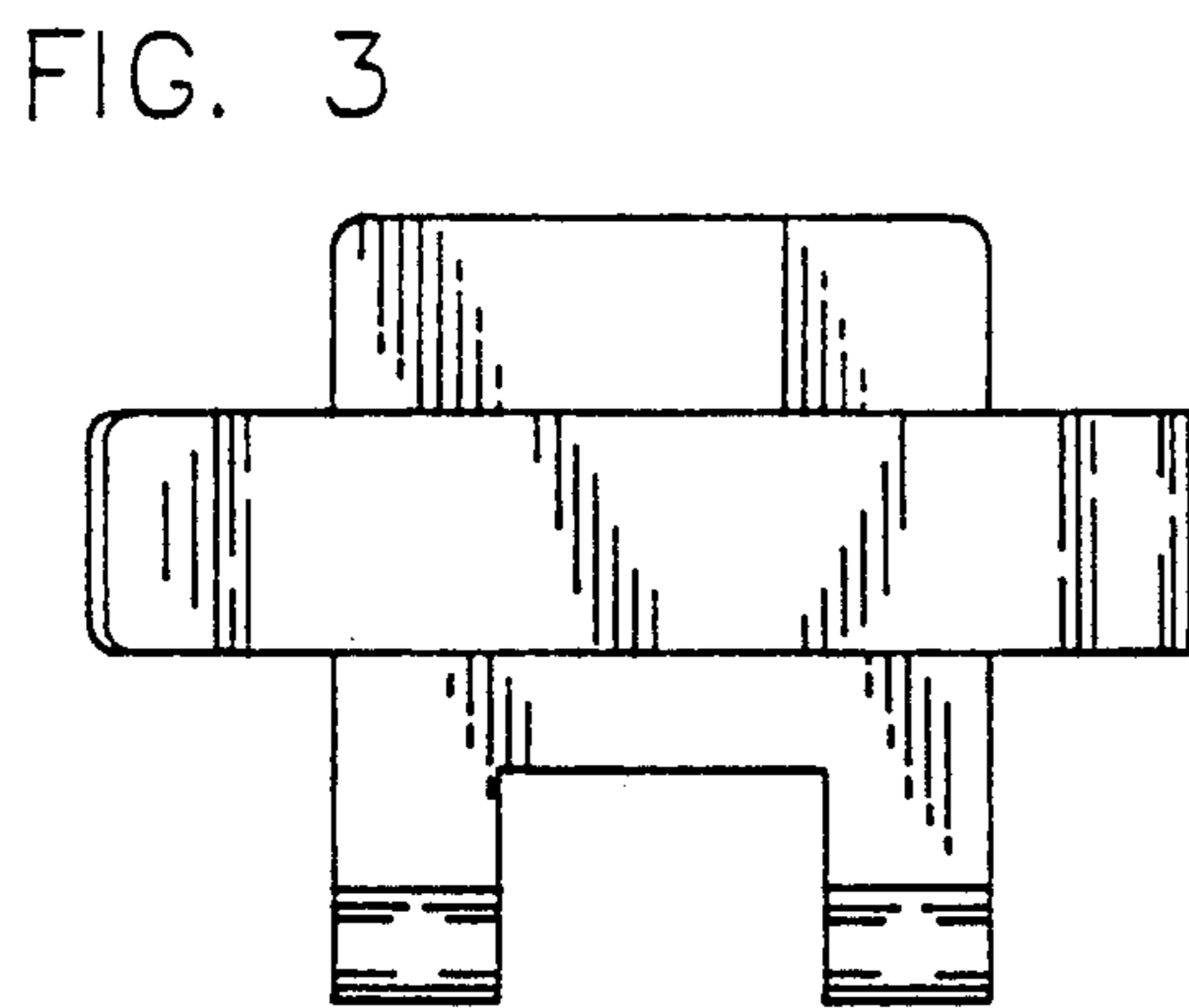
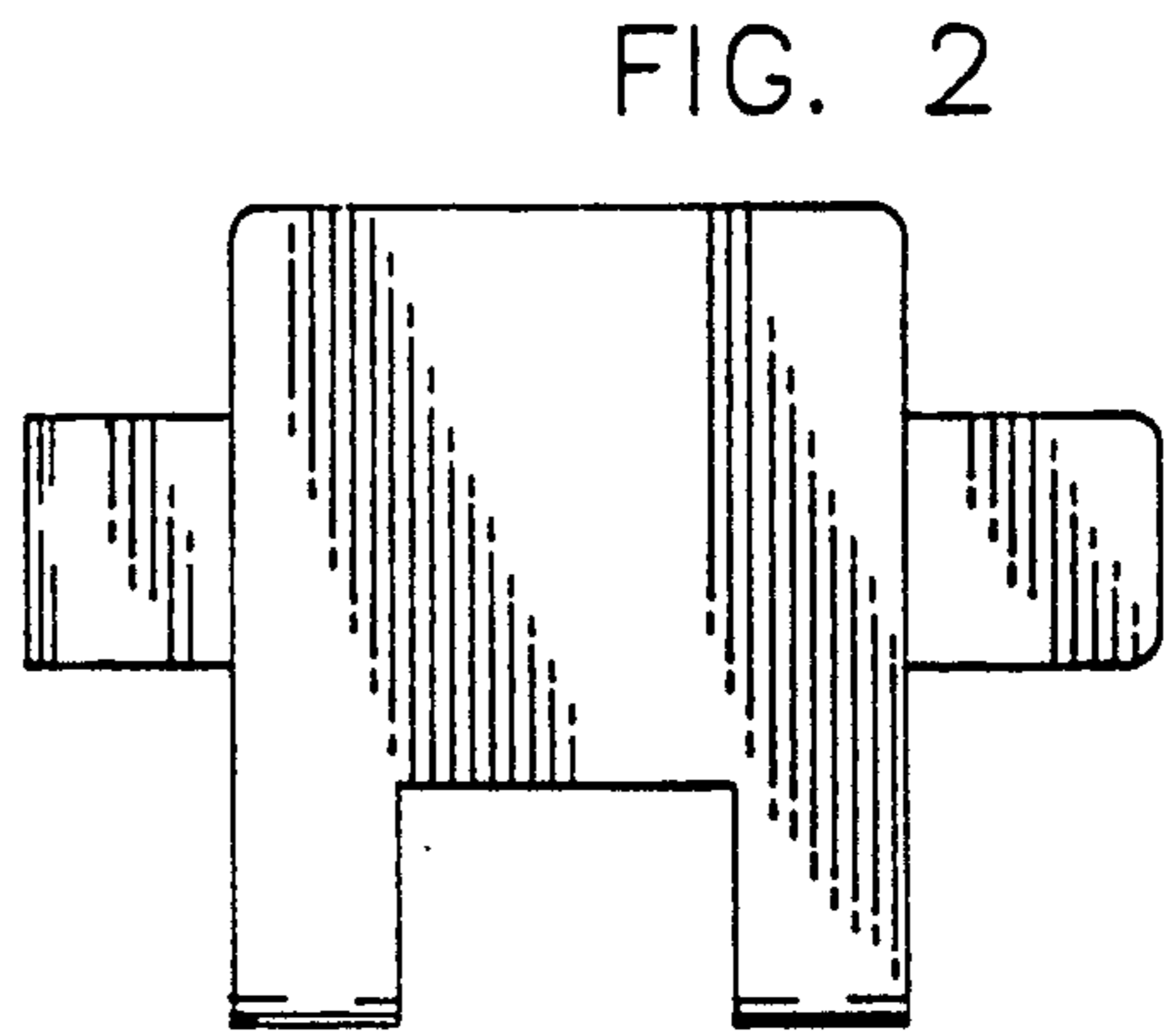
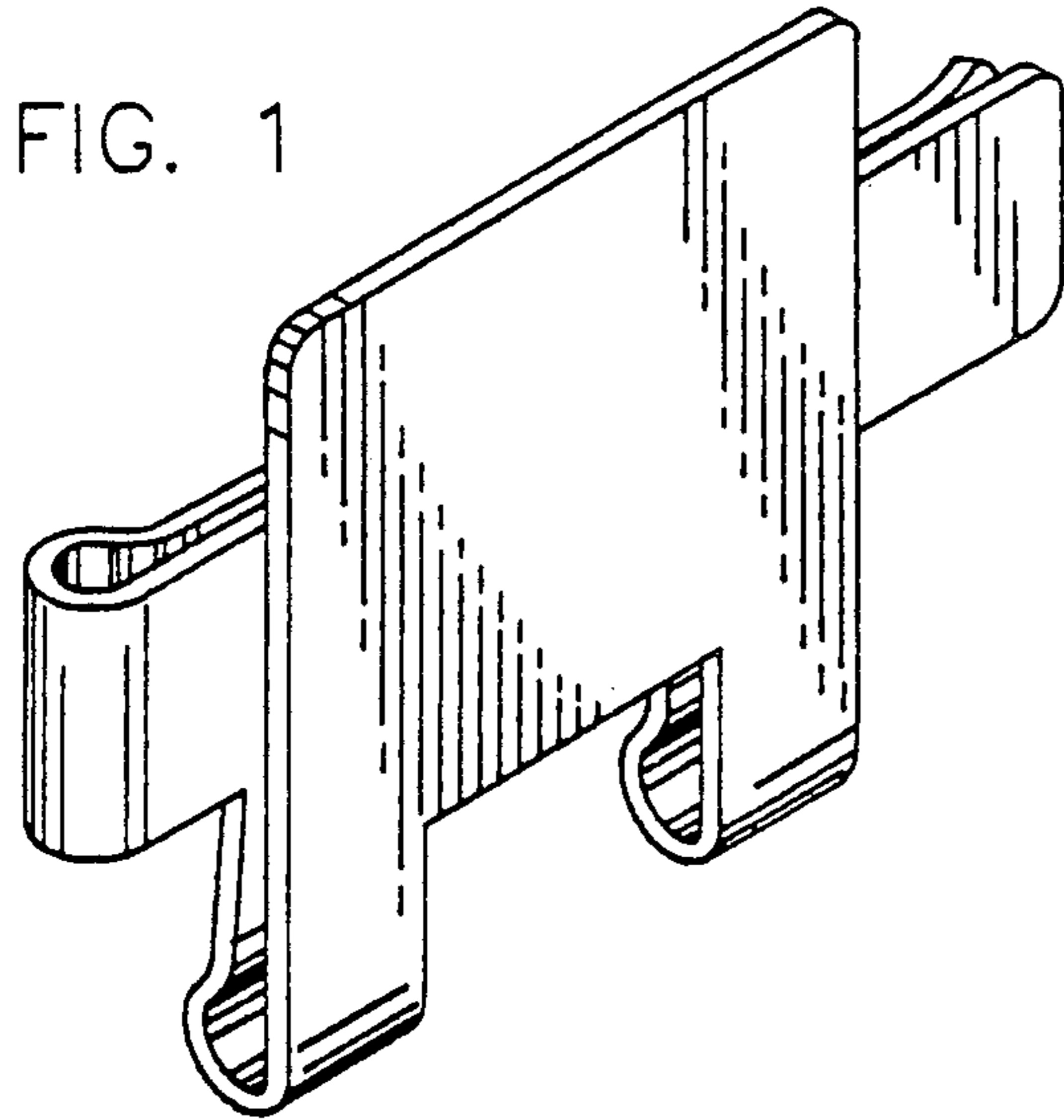


FIG. 6

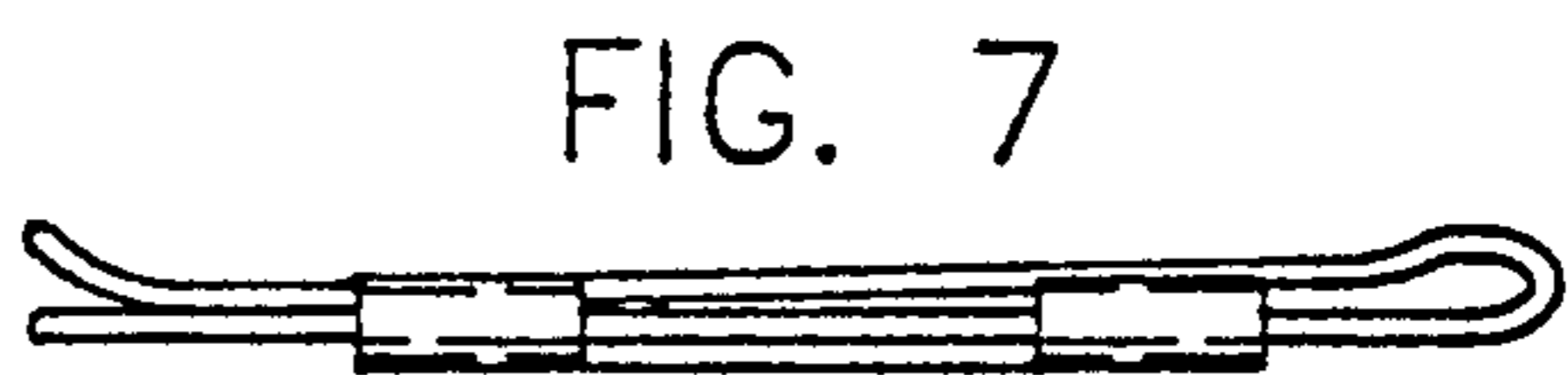


FIG. 7

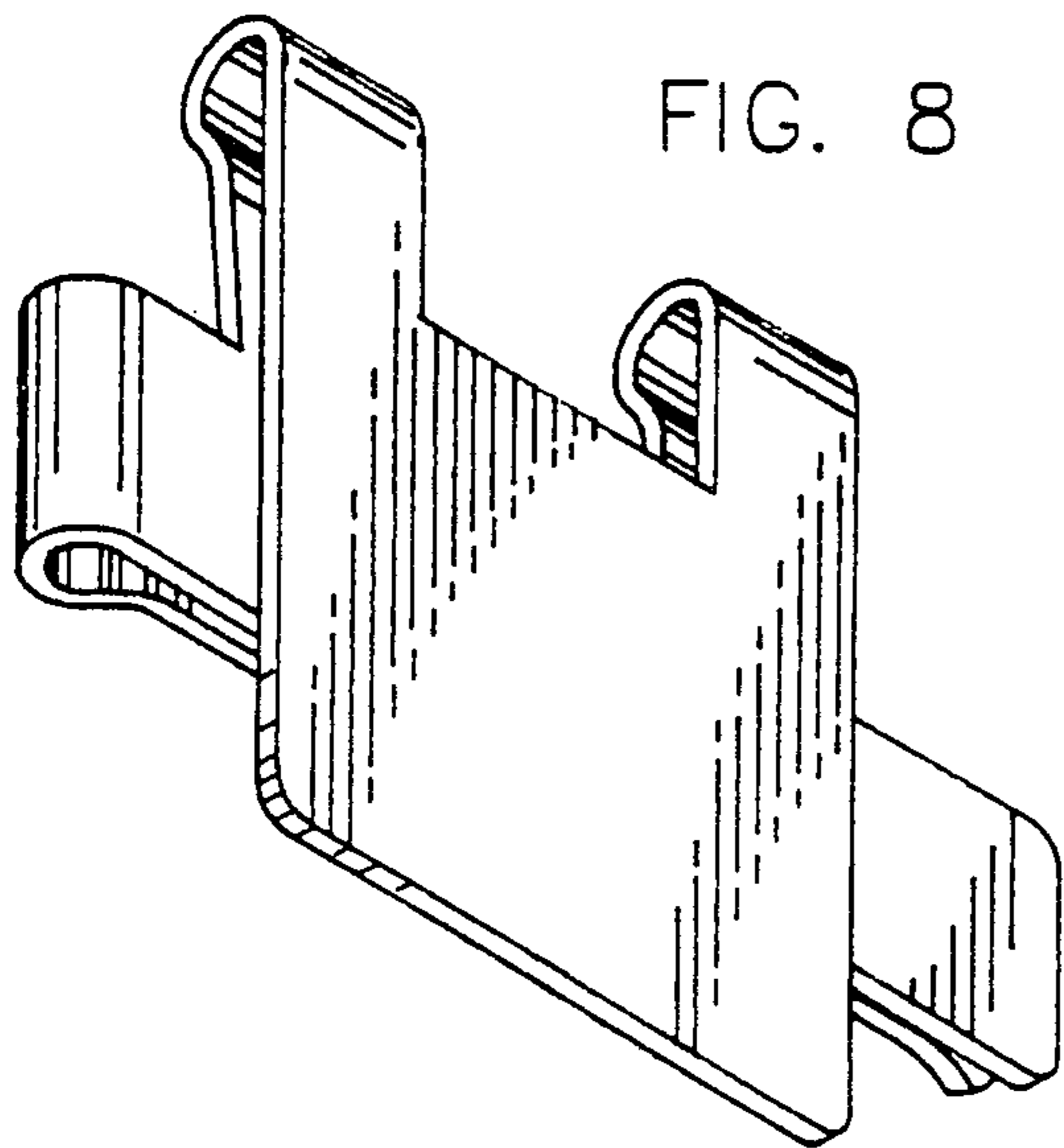


FIG. 8

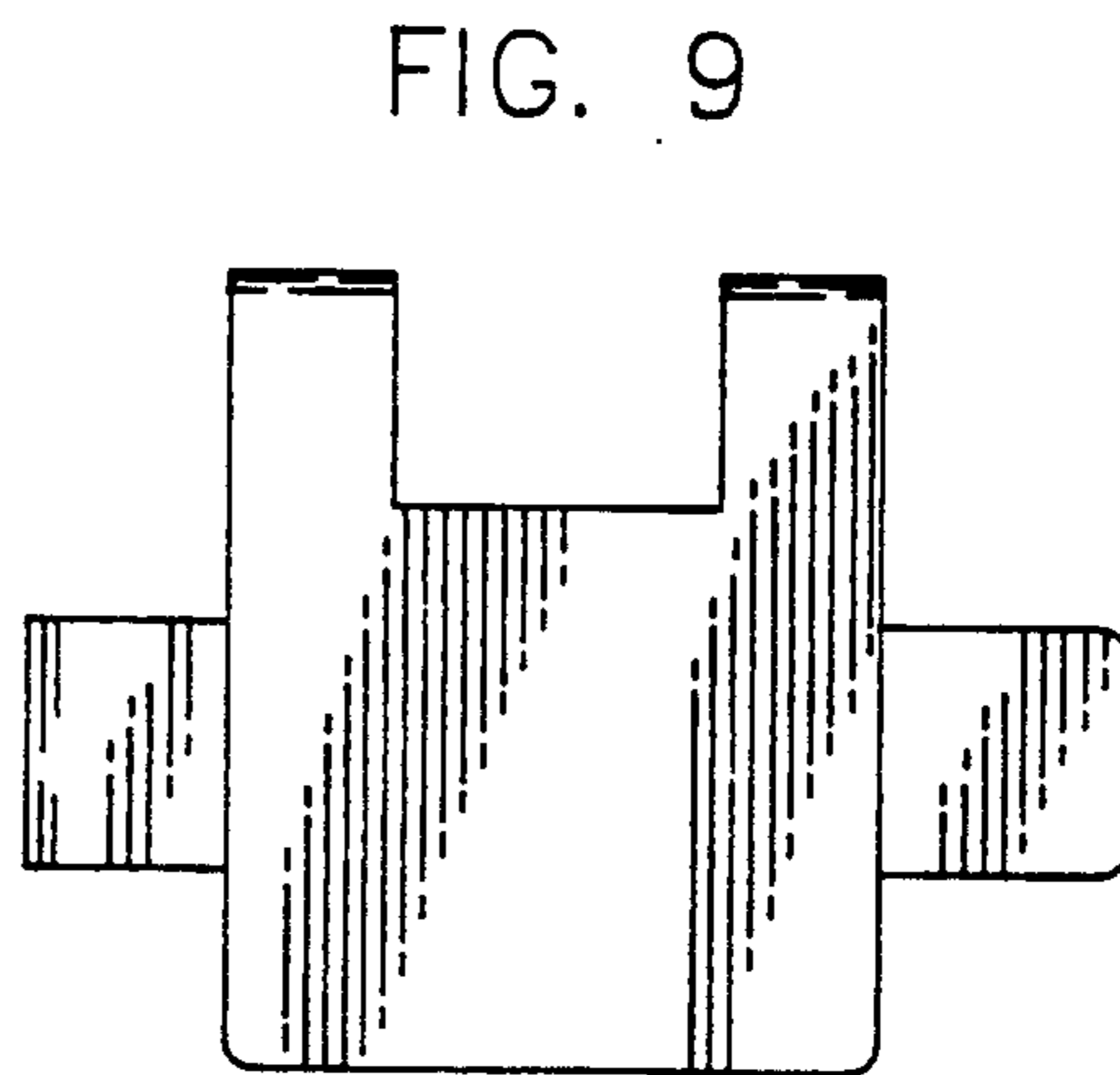


FIG. 9

FIG. 10

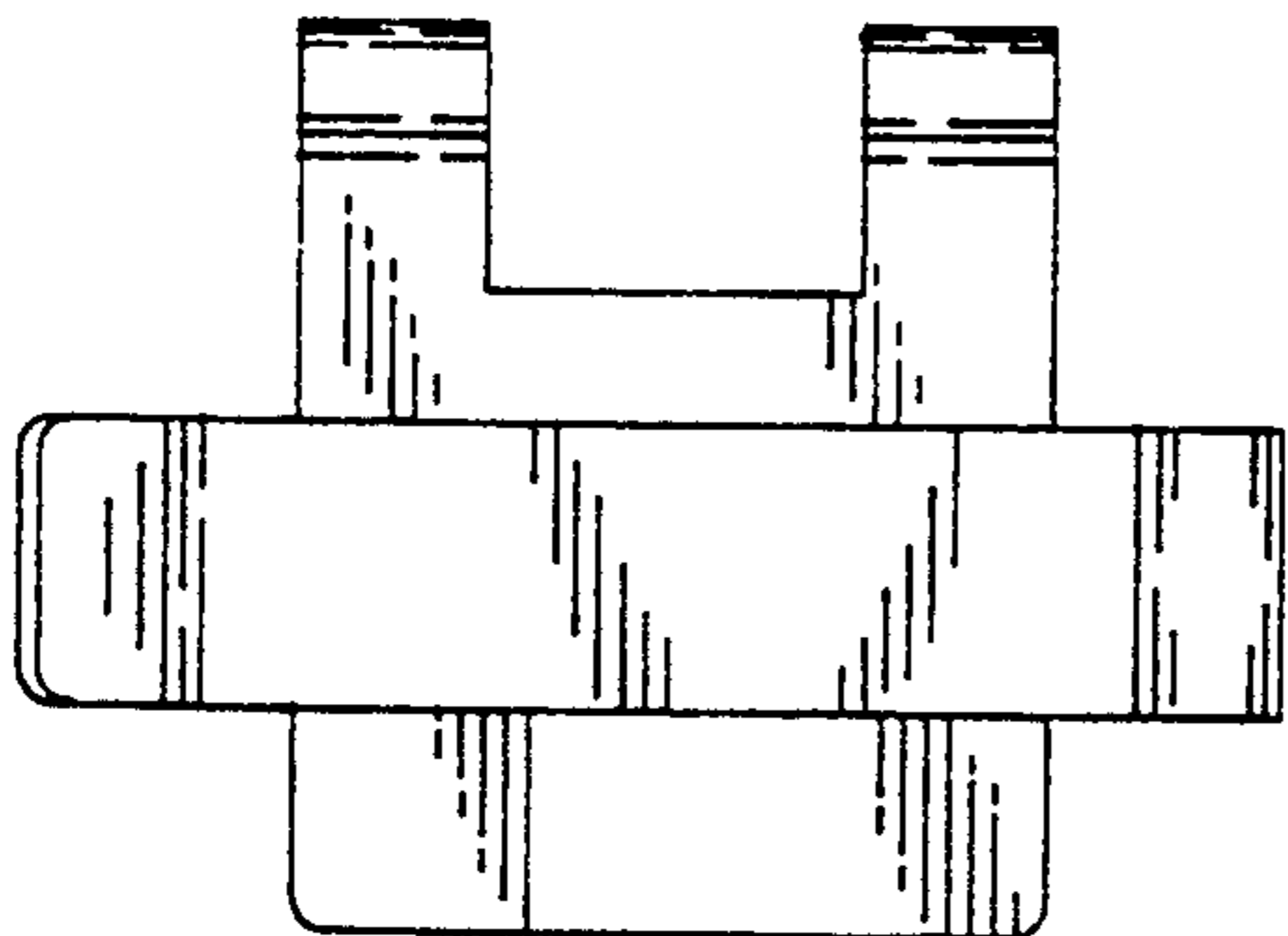


FIG. 11



FIG. 12



FIG. 13

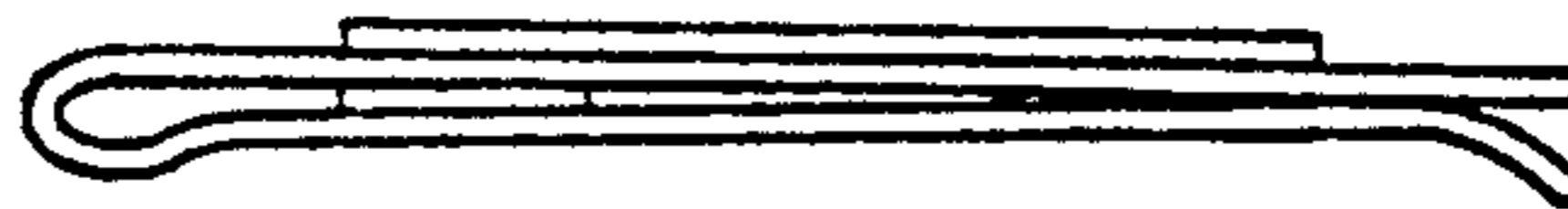
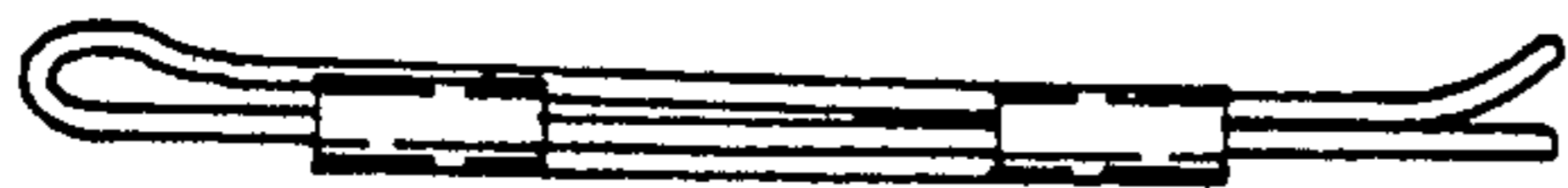


FIG. 14