



US00D330684S

United States Patent [19]

[11] Patent Number: **Des. 330,684**

Joseph

[45] Date of Patent: **** Nov. 3, 1992**

[54] **ELECTRONIC GATE**

[56] **References Cited**

[75] Inventor: **Alice Joseph, Schiltigheim, France**

U.S. PATENT DOCUMENTS

[73] Assignee: **Ateliers Reunic Caddie, Schiltigheim, France**

D. 274,297	6/1984	Wright	D10/104
D. 319,195	8/1991	Belletine et al.	D25/39
4,260,137	4/1981	Lavrenz	256/10
4,795,995	1/1989	Eccleston et al.	340/572
4,994,939	2/1991	Rubertus et al.	340/572
5,030,941	7/1991	Lizzi et al.	340/572

[**] Term: **14 Years**

Primary Examiner—A. Hugo Word
Assistant Examiner—Doris Clark
Attorney, Agent, or Firm—Michael J. Striker

[21] Appl. No.: **563,963**

[57] CLAIM

[22] Filed: **Aug. 7, 1990**

The ornamental design for an electronic gate, as shown and described.

[30] Foreign Application Priority Data

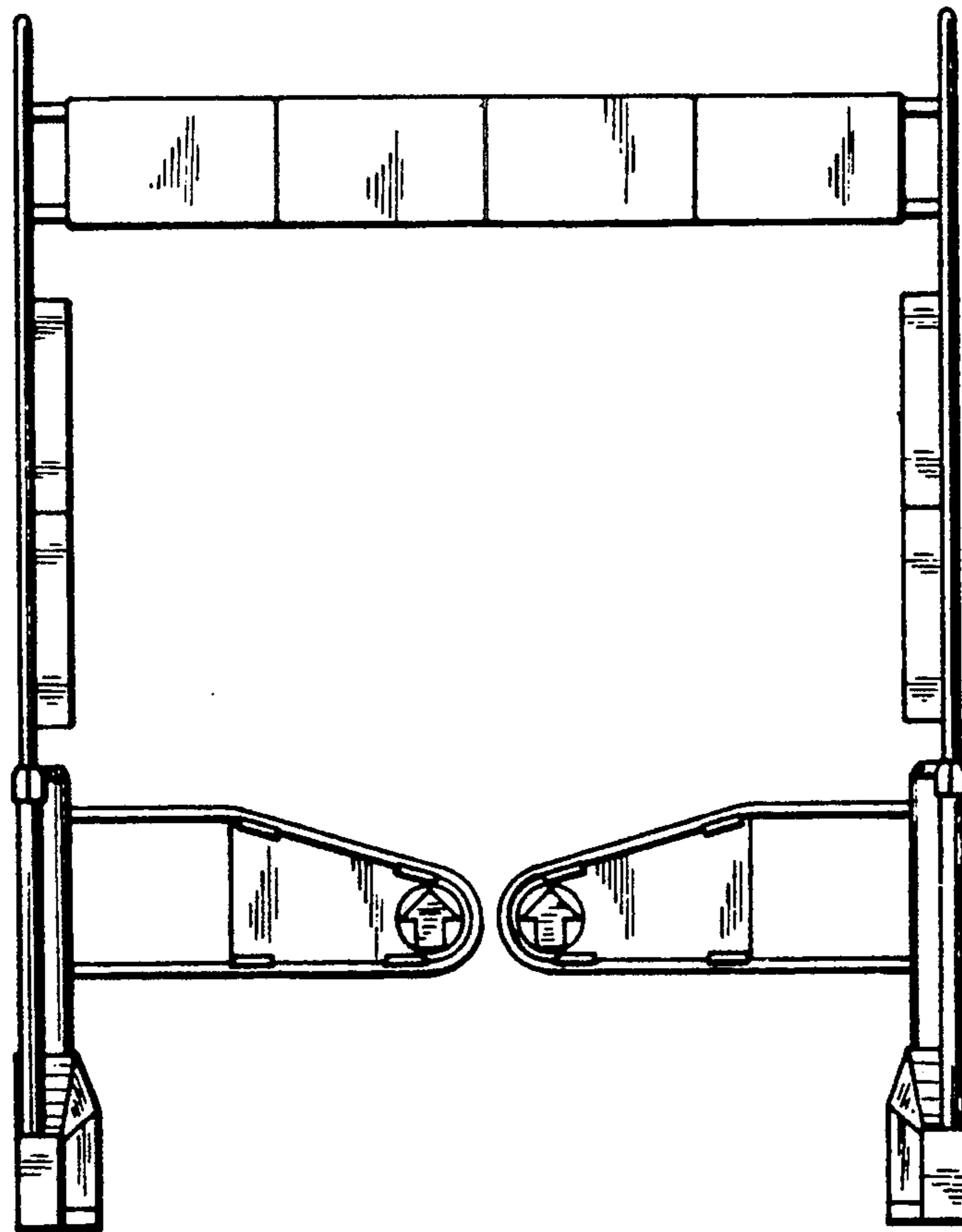
Feb. 14, 1990 [FR] France 90 0995

[52] U.S. Cl. **D10/106; D25/39**

[58] Field of Search D25/38-40, D25/50-51; D10/106-121; 340/568, 571, 572, 574, 578; 256/10, 73; 109/2, 5, 6, 10, 11-12, 58

DESCRIPTION

FIG. 1 is a front elevational view of an electronic gate showing my new design; FIG. 2 is a side elevational view thereof; and, FIG. 3 is a top plan view thereof.



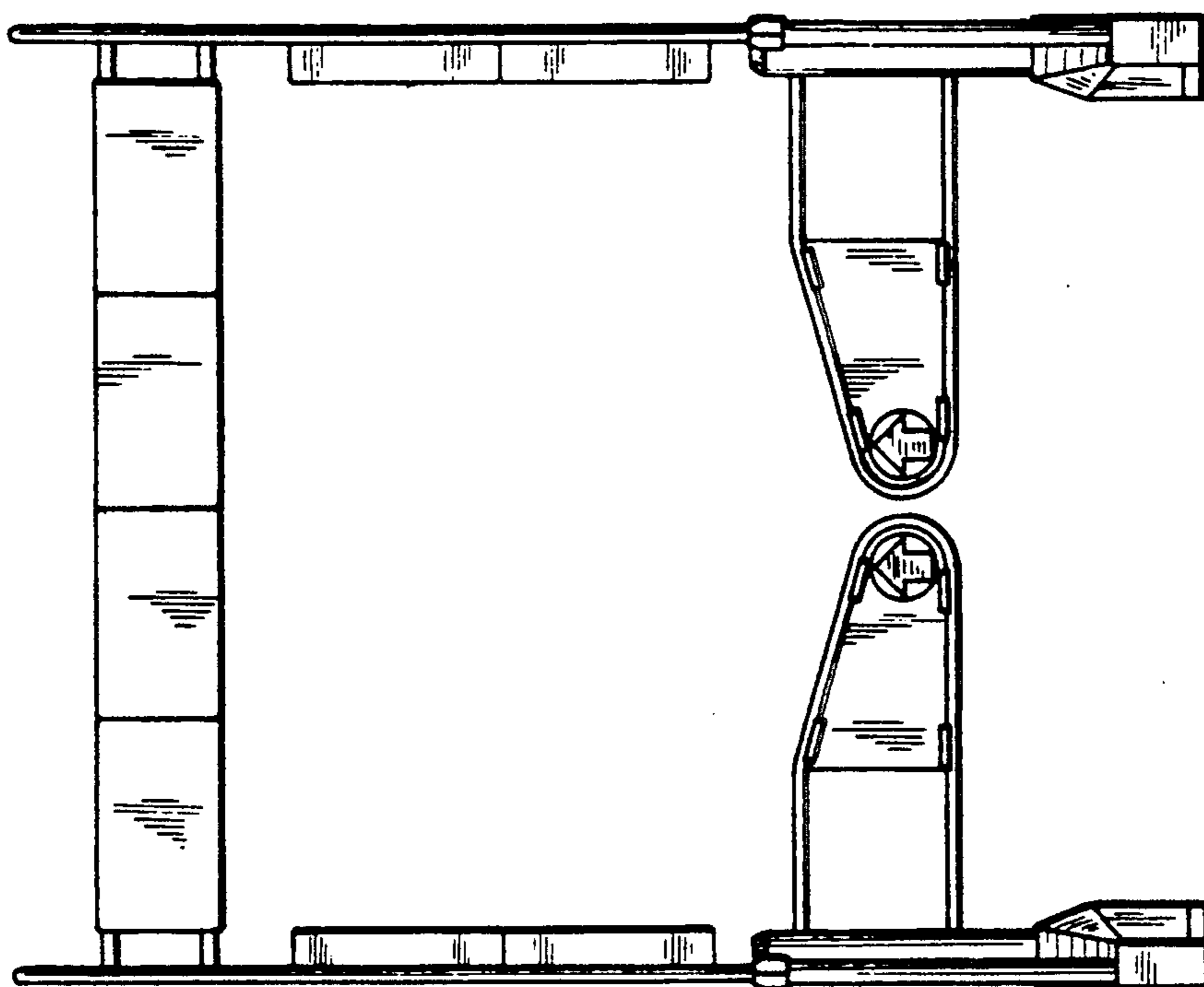


FIG. 1

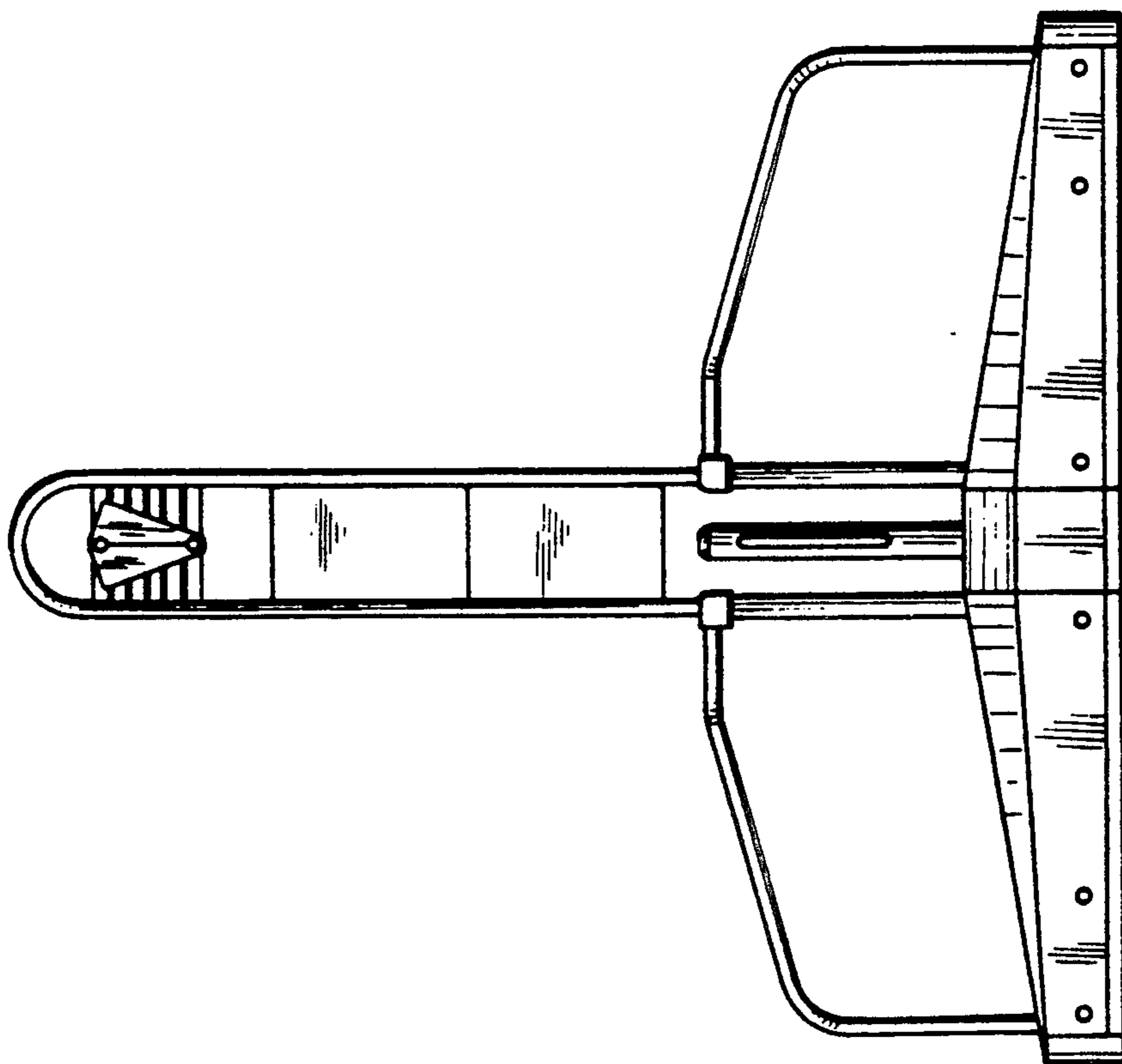


FIG. 2

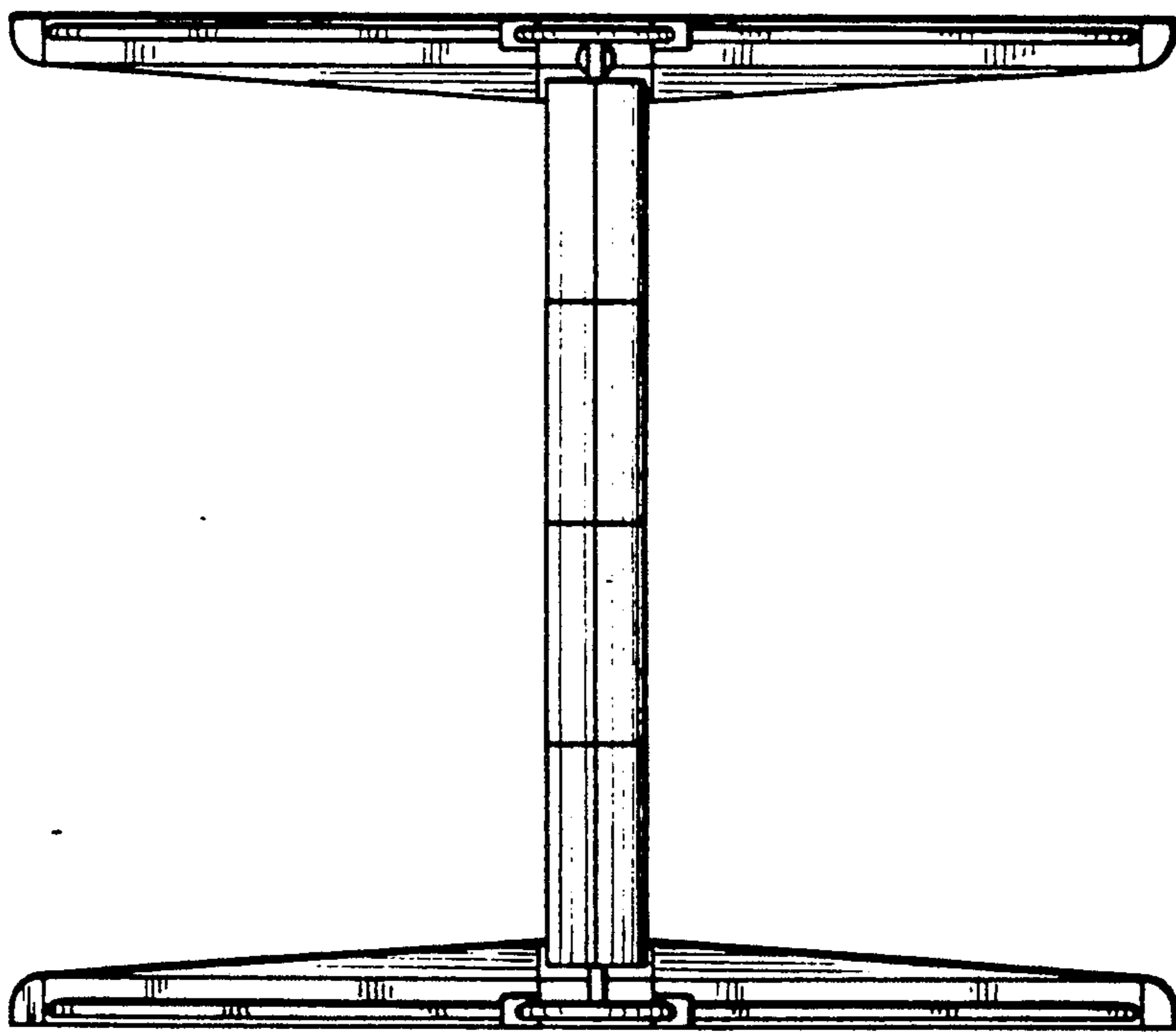


FIG. 3