



US00D330683S

United States Patent [19]
Green

[11] **Patent Number: Des. 330,683**

[45] **Date of Patent: ** Nov. 3, 1992**

[54] **HOUSING FOR ANTI-THEFT DETECTOR**

[76] **Inventor: Richard T. Green, P.O. Box 321, Eustace, Tex. 75124**

[**] **Term: 14 Years**

[21] **Appl. No.: 624,679**

[22] **Filed: Dec. 10, 1990**

[52] **U.S. Cl. D10/104**

[58] **Field of Search D10/104, 106, 121; 340/541, 546, 555, 556, 561, 571, 572, 573, 693**

[56] **References Cited**

U.S. PATENT DOCUMENTS

D. 305,308	1/1980	Adams	D10/104
D. 307,400	4/1990	Armstrong et al.	D10/106
5,030,941	7/1991	Zizzi et al.	340/541
5,047,750	9/1991	Hector	340/573

Primary Examiner—Wallace R. Burke
Assistant Examiner—Marcus Jackson
Attorney, Agent, or Firm—Richards, Medlock & Andrews

[57] **CLAIM**

The ornamental design for a housing for anti-theft detector, as shown and described.

DESCRIPTION

FIG. 1 is a perspective view of a housing for anti-theft detector showing my new design;
FIG. 2 is a front elevational view thereof;
FIG. 3 is a side elevational view thereof, with the opposite side being a mirror image;
FIG. 4 is a top plan view thereof; and,
FIG. 5 is a perspective view thereof, with the housing shown in an unassembled and open condition.

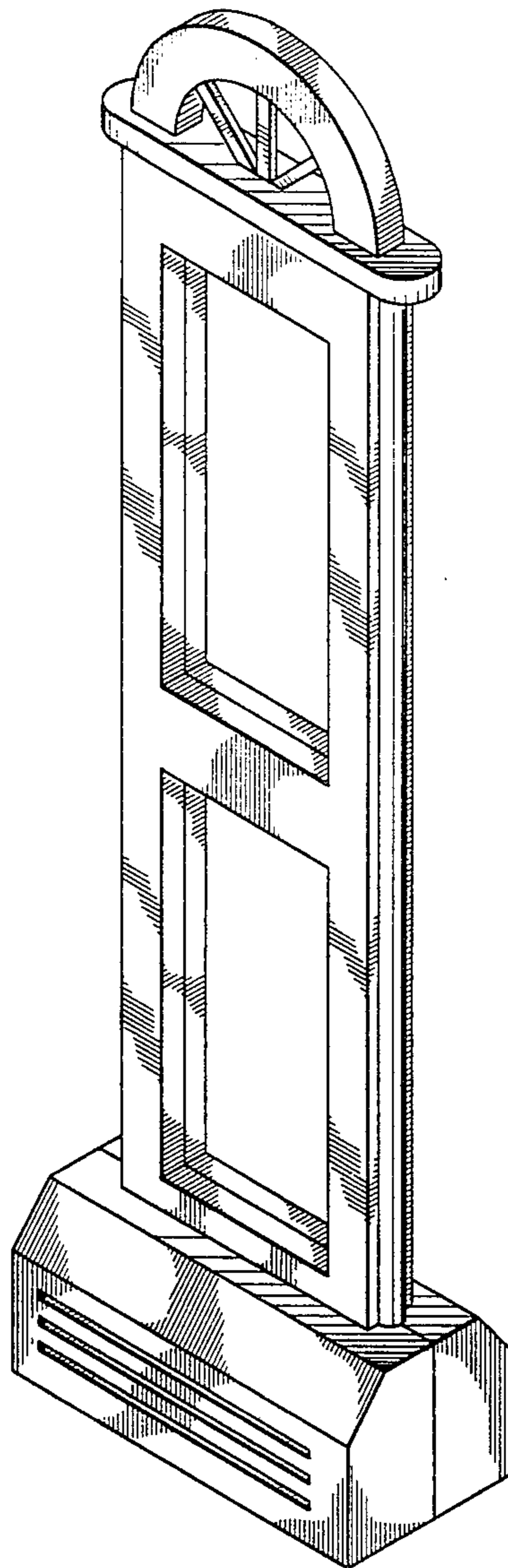
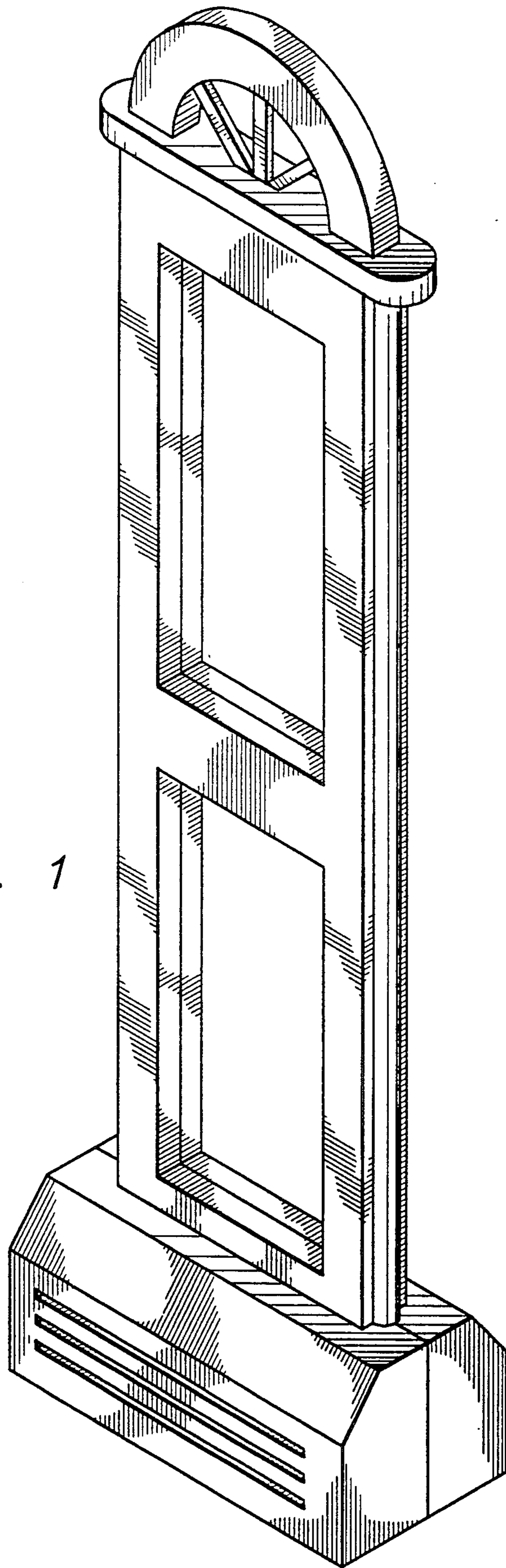


FIG. 1



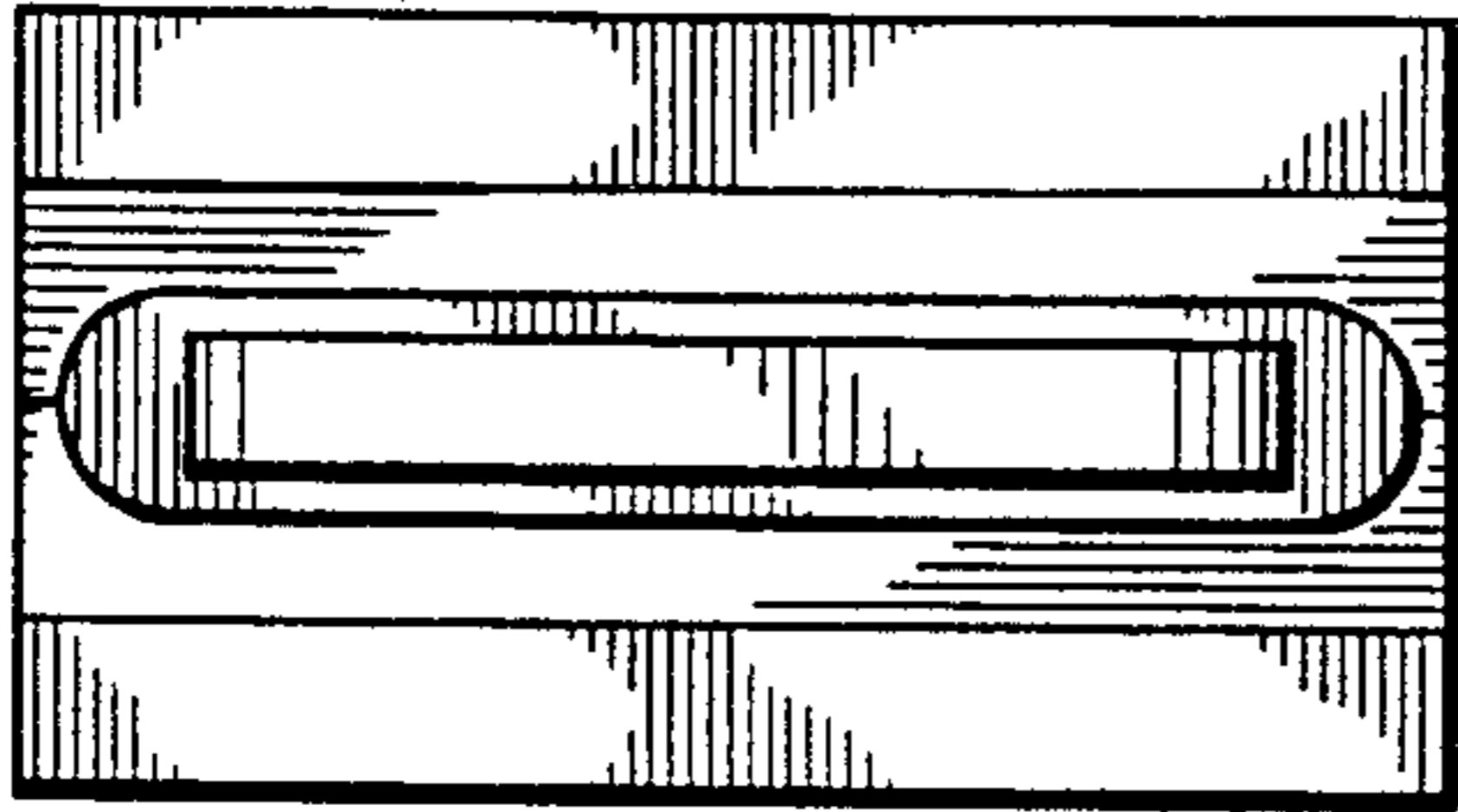


FIG. 4

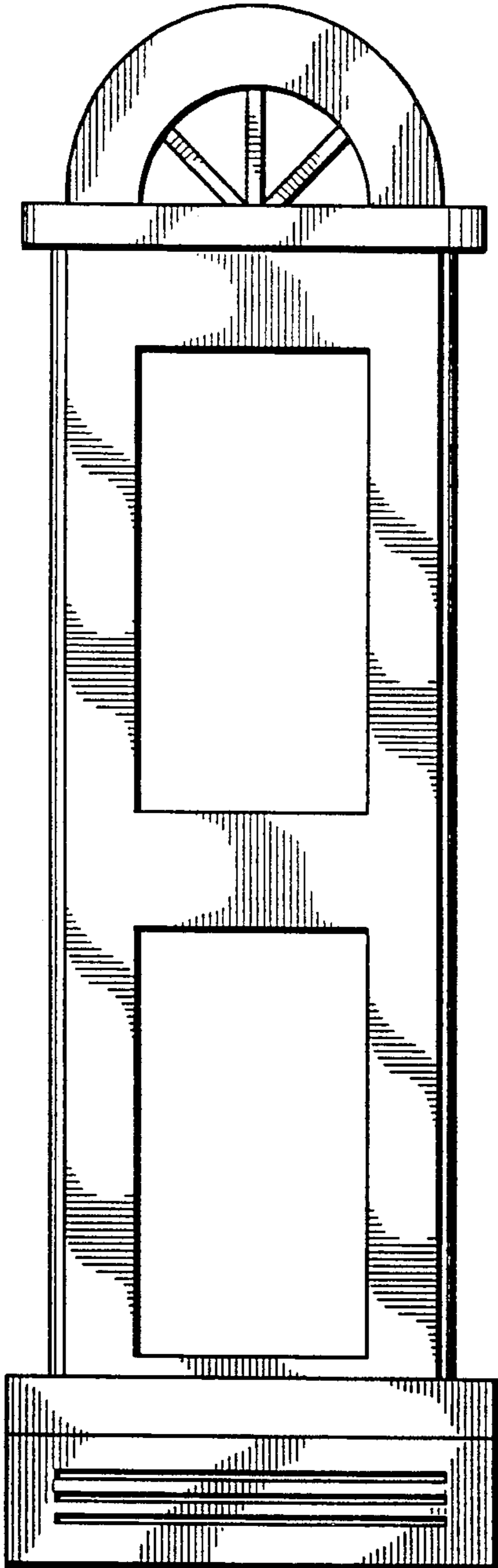


FIG. 2

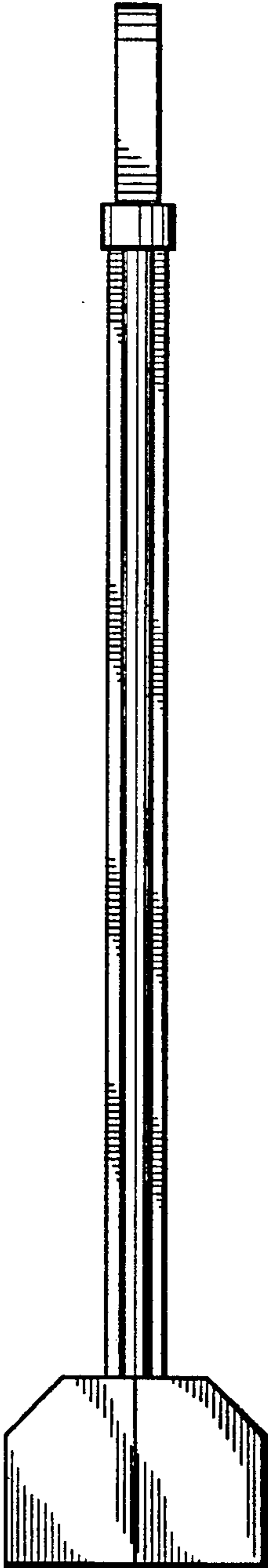


FIG. 3

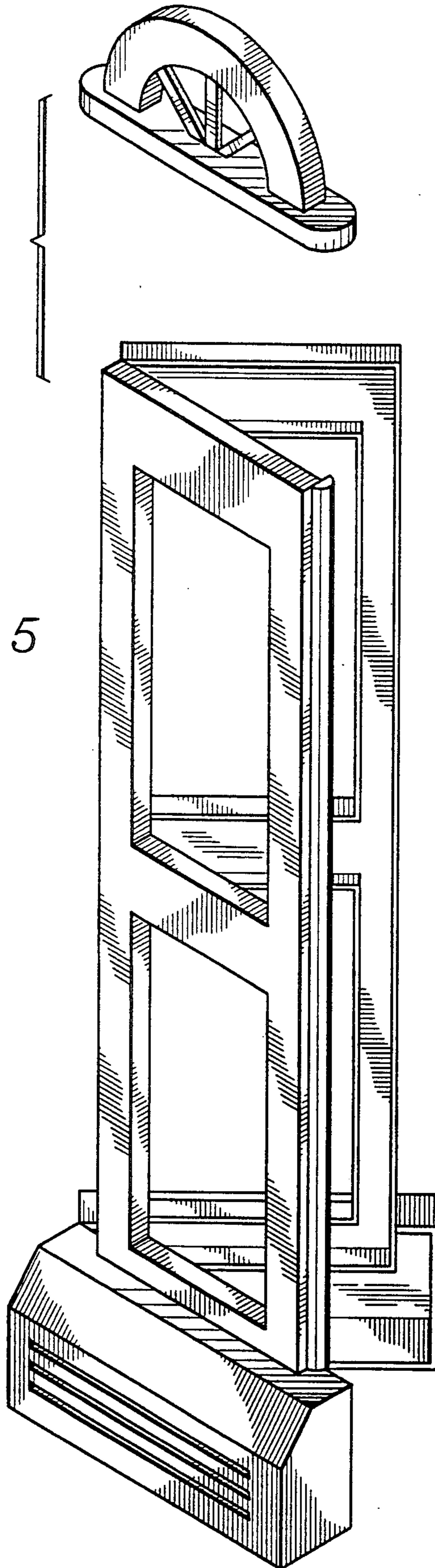


FIG. 5