



US00D330681S

# United States Patent [19]

[11] Patent Number: **Des. 330,681**

Yamada et al.

[45] Date of Patent: **\*\* Nov. 3, 1992**

[54] **RADIATION CLINICAL THERMOMETER**

[75] Inventors: **Masato Yamada, Tokyo; Shunji Egawa, Tokorozawa, both of Japan**

[73] Assignee: **Citizen Watch Co., Ltd., Tokyo, Japan**

[\*\*] Term: **14 Years**

[21] Appl. No.: **604,432**

[22] Filed: **Oct. 26, 1990**

[52] U.S. Cl. .... **D10/57**

[58] Field of Search ..... **D10/52, 57, 58, 59, D10/60, 78; 374/2, 126, 129, 130, 158, 163, 164, 170, 183, 185, 208, 210**

[56] **References Cited**

**U.S. PATENT DOCUMENTS**

D. 251,184	2/1979	Volk	.....	D10/57	X
D. 251,367	3/1979	Tucker	.....	D10/57	X
D. 251,548	4/1979	Perry	.....	D10/57	X
D. 287,473	12/1986	Ueno	.....	D10/57	
D. 309,866	8/1990	Fukuda et al.	.....	D10/57	
3,905,232	9/1975	Knute	.....	374/158	
4,447,884	5/1984	Wada	.....	374/183	X

4,602,642	7/1986	O'Hara et al.	..	
4,743,121	5/1988	Takagi et al.	.....	374/208 X
4,784,149	11/1988	Berman et al.	..	
4,813,790	3/1989	Frankel et al.	.....	374/163 X
4,932,789	6/1990	Egawa et al.	..	
5,056,048	10/1991	Seperant	.....	374/170 X

*Primary Examiner*—Donald P. Walsh  
*Assistant Examiner*—Antoine D. Davis  
*Attorney, Agent, or Firm*—Cushman, Darby & Cushman

[57] **CLAIM**

The ornamental design for a radiation clinical thermometer, as shown and described.

**DESCRIPTION**

FIG. 1 is a top, front and right side perspective view of a radiation clinical thermometer showing our new design;  
FIG. 2 is a right side elevational view;  
FIG. 3 is a left side elevational view;  
FIG. 4 is a bottom plan view;  
FIG. 5 is a front elevational view; and,  
FIG. 6 is a rear elevational view thereof.  
FIG. 1 has been drawn on a slightly enlarged scale with respect to FIGS.2-6.

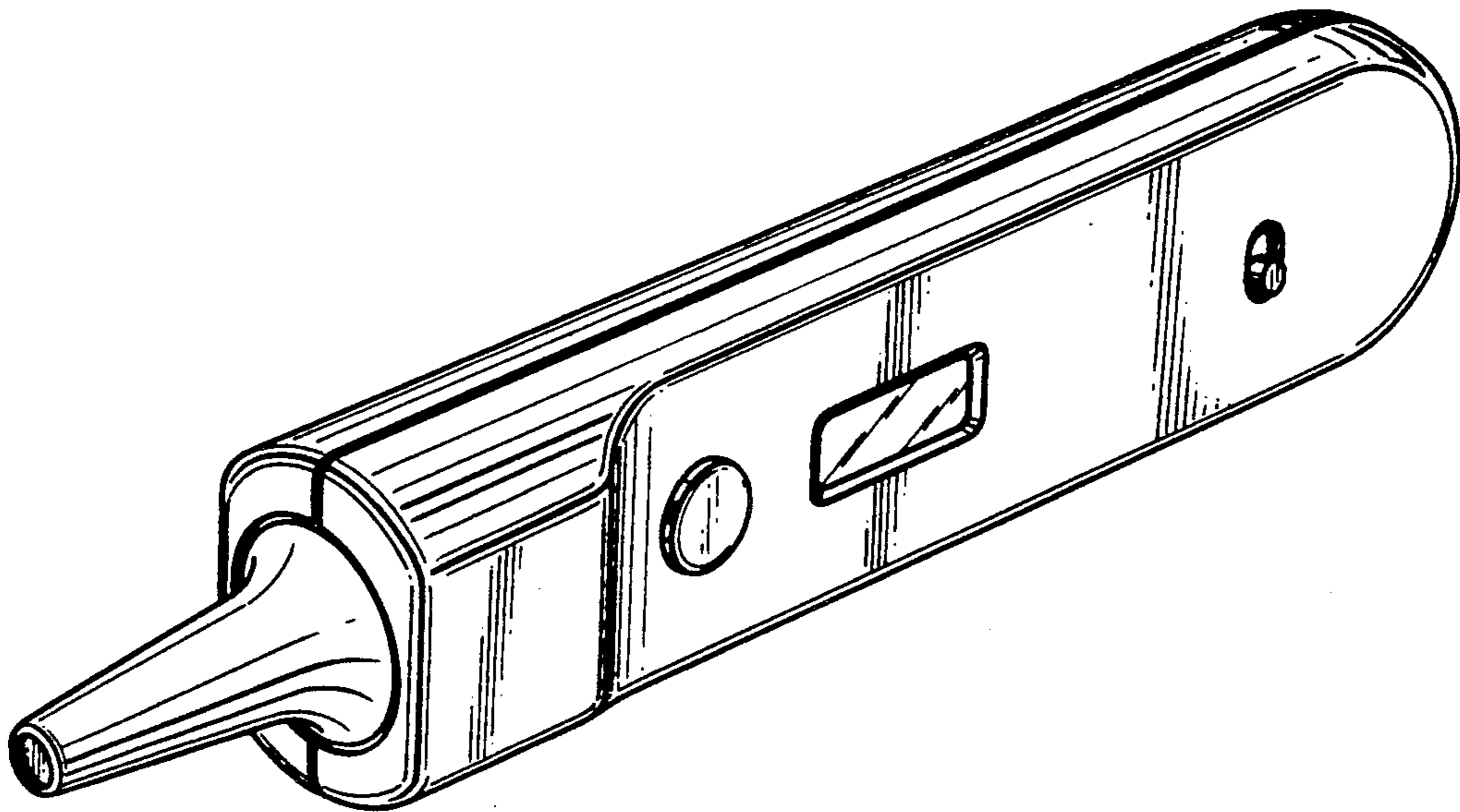


FIG. 1

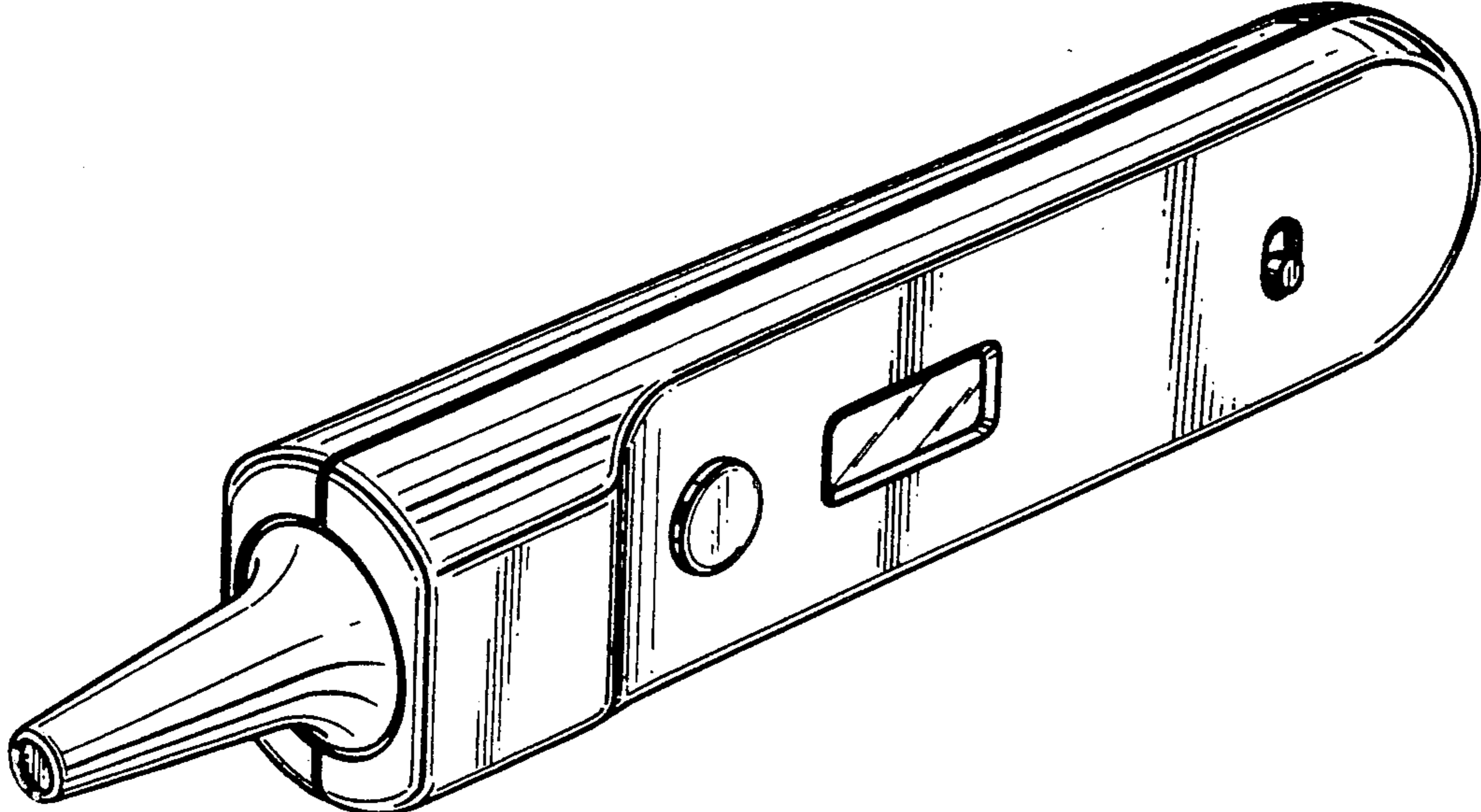


FIG. 2

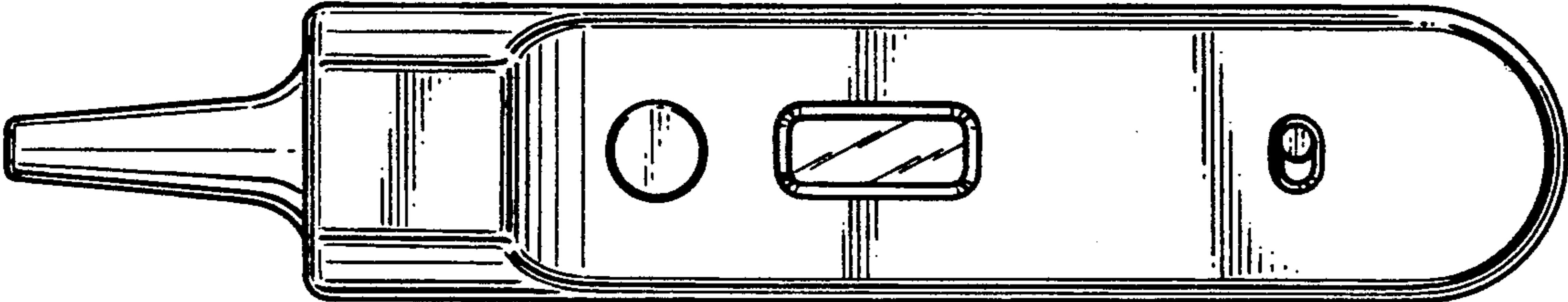


FIG.3

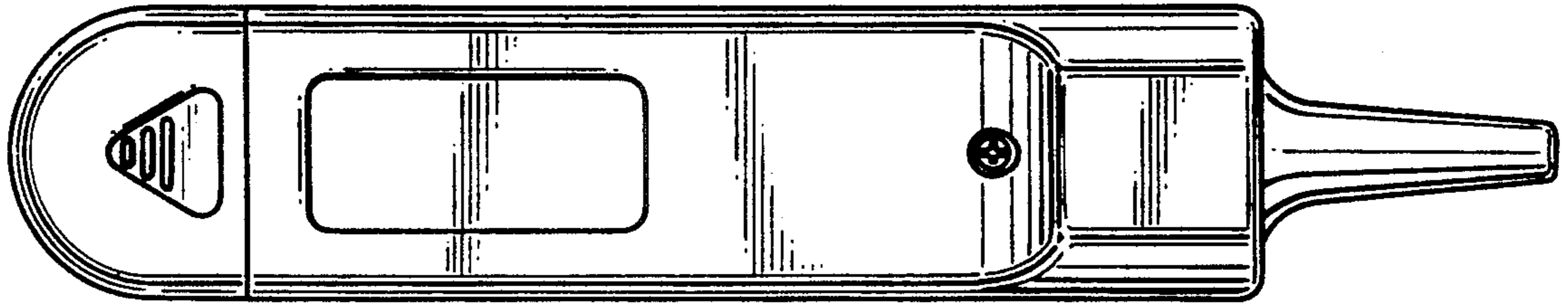


FIG.4

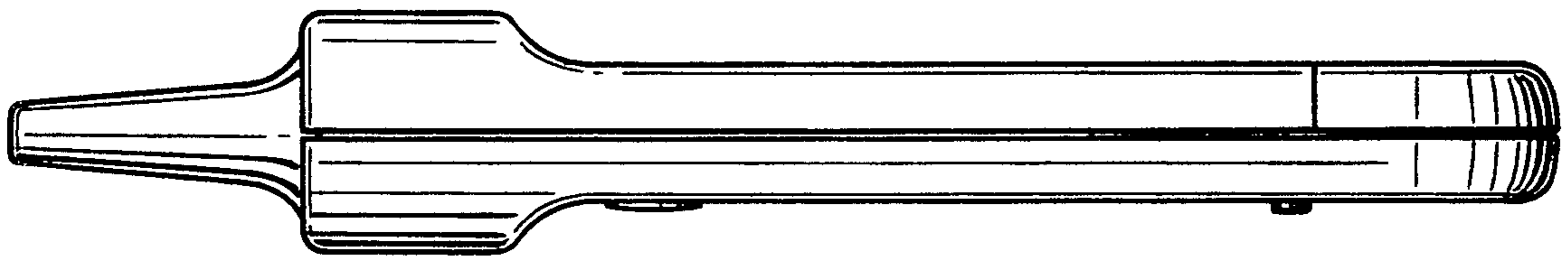


FIG.5

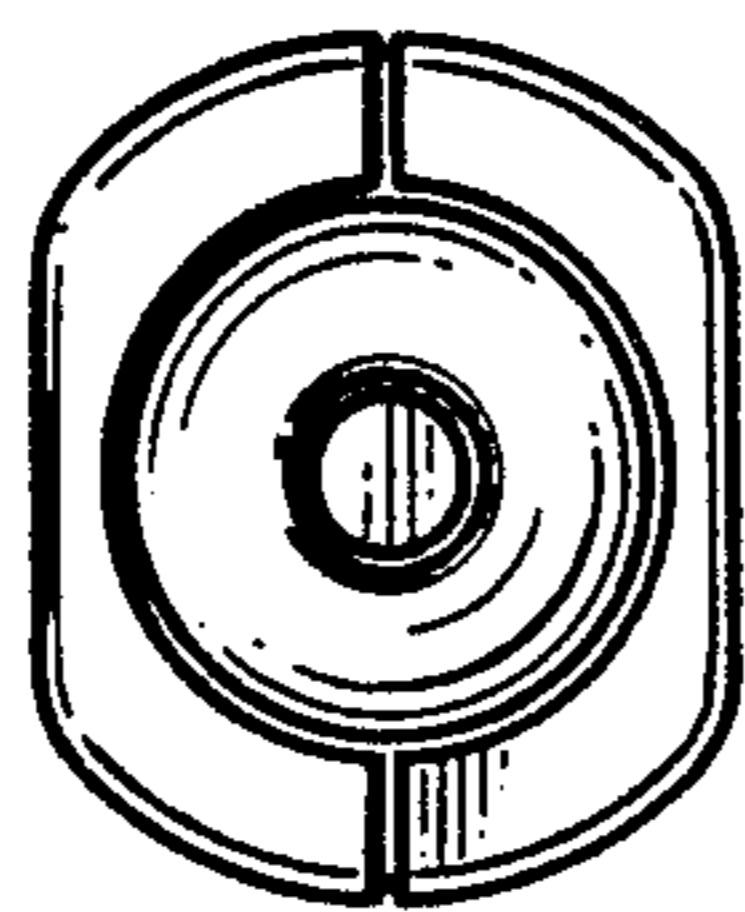


FIG.6

