



US00D330673S

United States Patent [19]

[11] Patent Number: **Des. 330,673**

Yamashita

[45] Date of Patent: **** Nov. 3, 1992**

[54] **HOLDING PIN**

Primary Examiner—B. J. Bullock

[75] Inventor: **Shoichiro Yamashita, Ogasa, Japan**

Attorney, Agent, or Firm—Jacobson, Price, Holman & Stern

[73] Assignee: **Ko-Ken Tool Co., Ltd., Ogasa, Japan**

[57] **CLAIM**

[**] Term: **14 Years**

The ornamental design for a holding pin, as shown and described.

[21] Appl. No.: **601,587**

DESCRIPTION

[22] Filed: **Oct. 23, 1990**

FIG. 1 is a front view of a holding pin, showing my new design;

[52] U.S. Cl. **D8/382**

FIG. 2 is a left side view thereof;

[58] Field of Search **D8/382; 81/177.85; 411/511, 513, 516, 530; D15/138, 140**

FIG. 3 is a right side view thereof;

FIG. 4 is a bottom view thereof, the top being a mirror image;

[56] **References Cited**

U.S. PATENT DOCUMENTS

639,337	12/1899	Anthony	411/513
1,296,042	3/1919	Bralove	411/516
2,098,185	11/1937	Hannaford	411/516
2,385,565	9/1945	Cox	411/516

FIG. 5 is a perspective view thereof;

FIG. 6 is a reduced perspective view thereof, the broken lines being for illustrative purposes only; and,

FIG. 7 is a front view thereof, the broken lines being for illustrative purposes only.

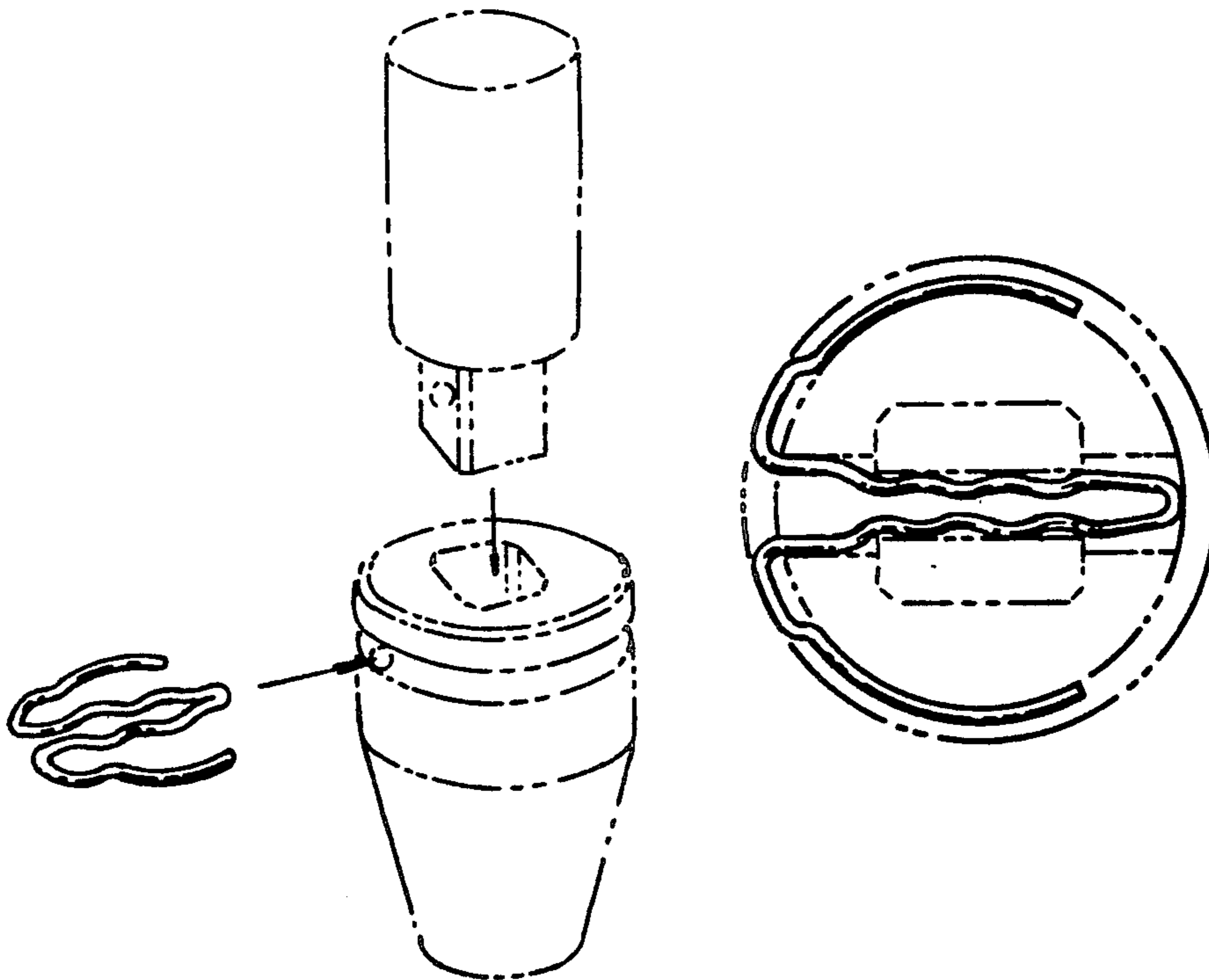


FIG. 2. FIG. 1.

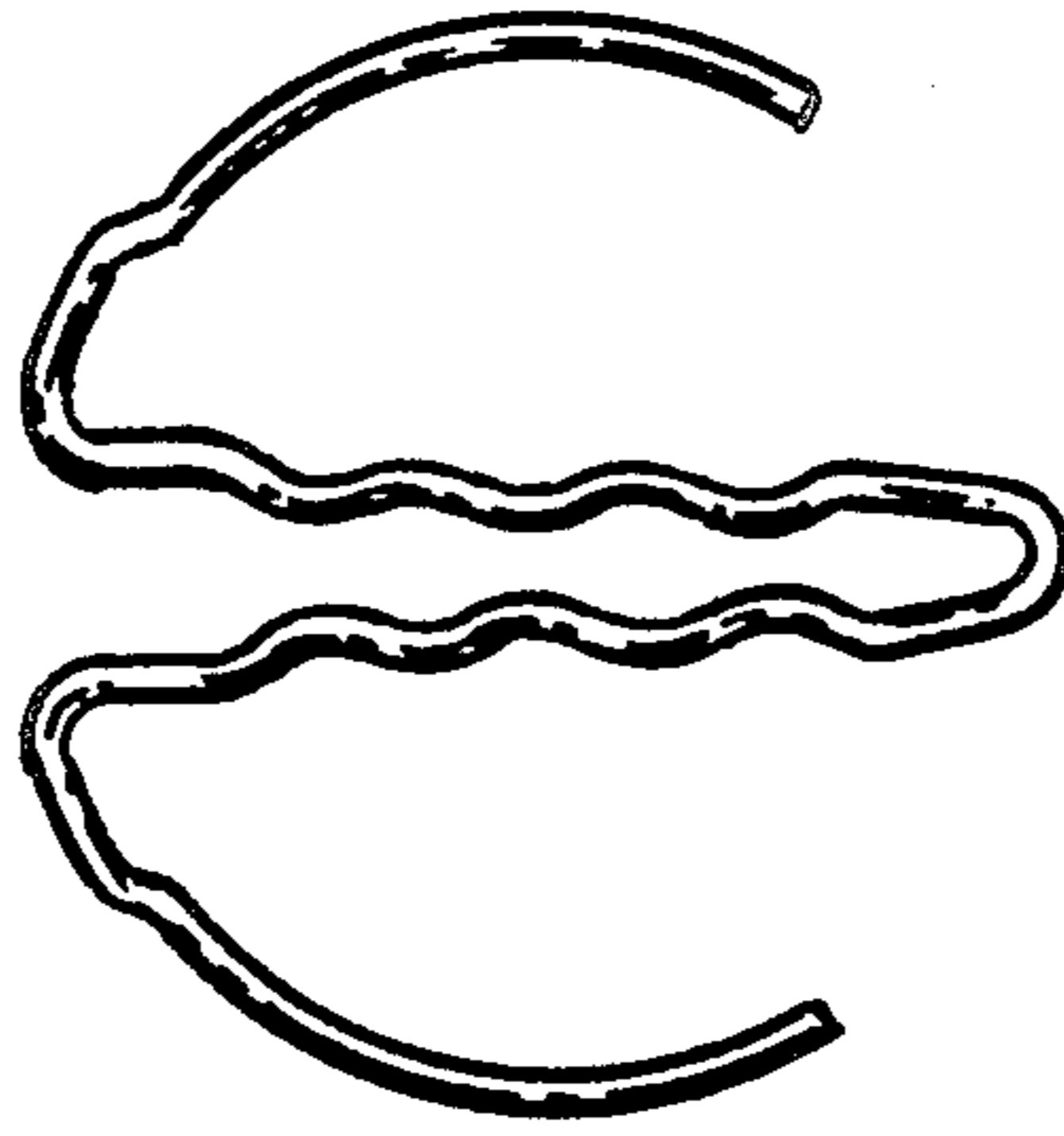


FIG. 3.



FIG. 4.

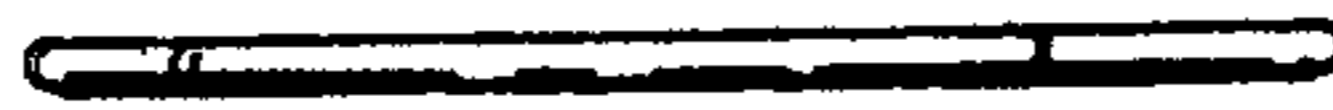


FIG. 6.

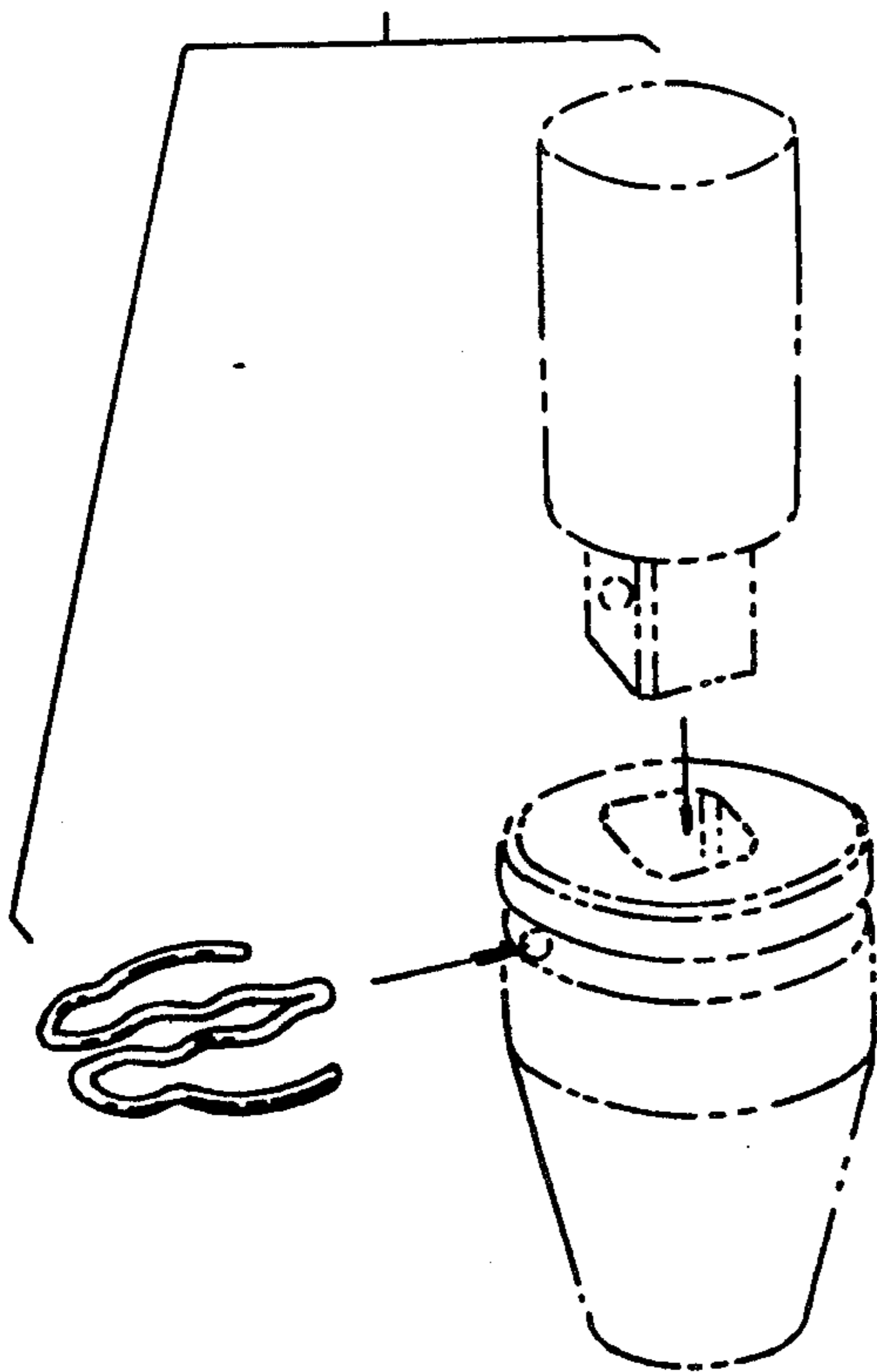


FIG. 5.

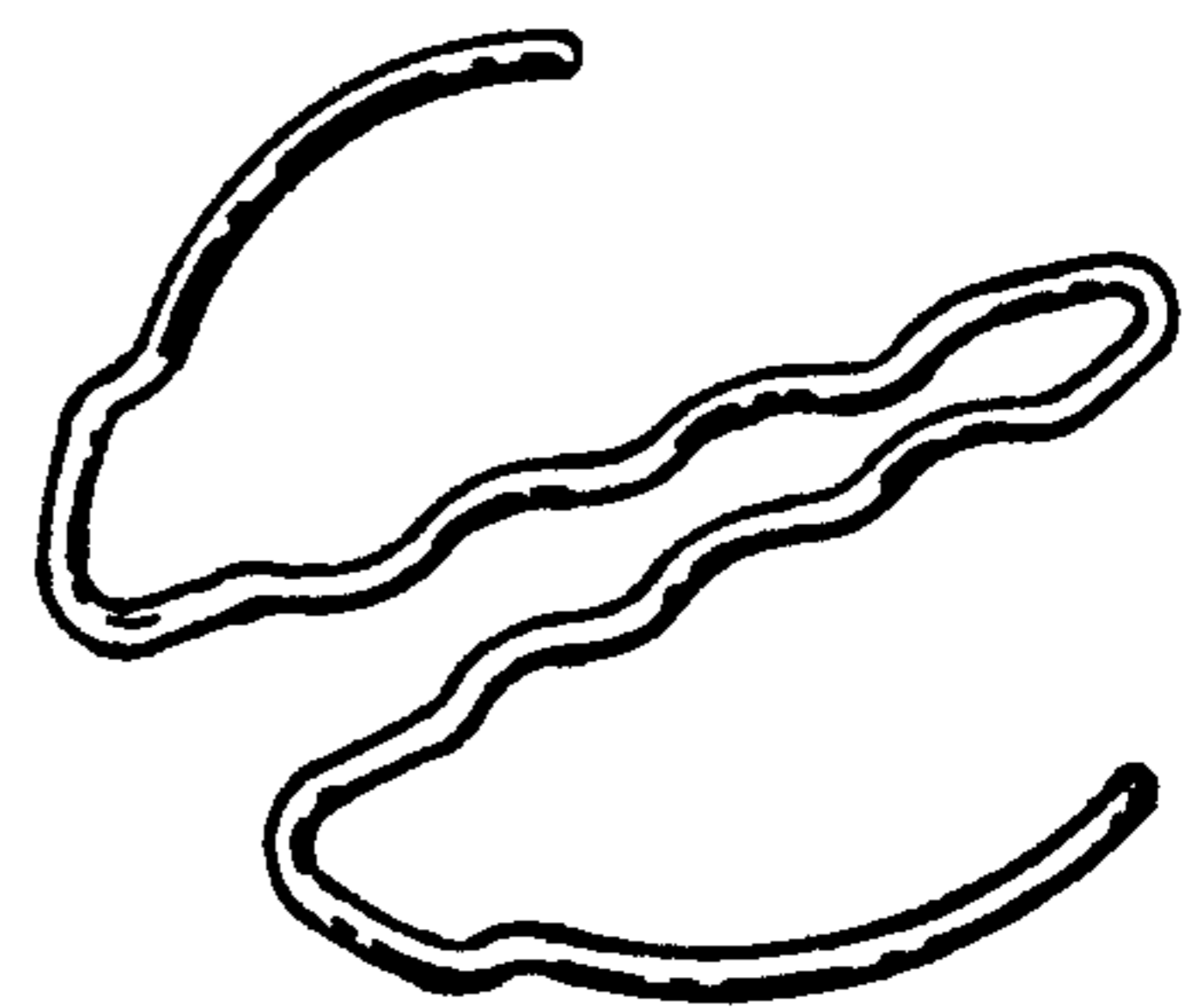


FIG. 7.

